

US00D700905S

(12) **United States Design Patent**
Pavitsich

(10) **Patent No.:** **US D700,905 S**
(45) **Date of Patent:** **** Mar. 11, 2014**

(54) **EARBUD**

(71) Applicant: **Harman International Industries, Incorporated**, Northridge, CA (US)

(72) Inventor: **Bertold Pavitsich**, Vienna (AT)

(73) Assignee: **Harman International Industries, Incorporated**, Northridge, CA (US)

(**) Term: **14 Years**

(21) Appl. No.: **29/432,682**

(22) Filed: **Sep. 19, 2012**

(51) **LOC (10) Cl.** **14-01**

(52) **U.S. Cl.**
USPC **D14/223**

(58) **Field of Classification Search**
USPC D14/205, 206, 223; 181/129, 130, 135;
379/430, 431; 381/380, 381, 328;
455/90.3, 575.1

See application file for complete search history.

(56) **References Cited**

U.S. PATENT DOCUMENTS

2,501,107	A *	3/1950	Volkman	381/378
4,133,984	A *	1/1979	Akiyama	381/328
D457,514	S *	5/2002	Marion et al.	D14/223
D519,108	S *	4/2006	Yang	D14/223
D531,169	S *	10/2006	Tokioka et al.	D14/223
D550,657	S *	9/2007	Gan et al.	D14/223
D566,099	S *	4/2008	Komiyama	D14/206
7,551,748	B2 *	6/2009	Kamo et al.	381/380
D620,927	S *	8/2010	Li	D14/223
D626,117	S *	10/2010	Lowry	D14/223

D631,470	S *	1/2011	Yoneyama et al.	D14/223
D632,677	S *	2/2011	Brown et al.	D14/223
D637,999	S *	5/2011	Brunner et al.	D14/205
D642,162	S *	7/2011	Wang et al.	D14/223
D643,416	S *	8/2011	Chong et al.	D14/223
D660,292	S *	5/2012	Rautiainen	D14/223
D660,826	S *	5/2012	Brunner et al.	D14/223
D664,951	S *	8/2012	Ang et al.	D14/223
8,275,166	B2 *	9/2012	Wu	381/380
D670,275	S *	11/2012	Tompkin et al.	D14/223
D673,532	S *	1/2013	Lee	D14/223
D674,904	S *	1/2013	Aunio	D24/210
D676,026	S *	2/2013	Lee et al.	D14/223
D683,332	S *	5/2013	Lee et al.	D14/223
D685,770	S *	7/2013	Lee et al.	D14/223
D686,597	S *	7/2013	Lee et al.	D14/223
D689,043	S *	9/2013	Burt et al.	D14/223

* cited by examiner

Primary Examiner — Paula Greene

(74) *Attorney, Agent, or Firm* — Plumsea Law Group, LLC

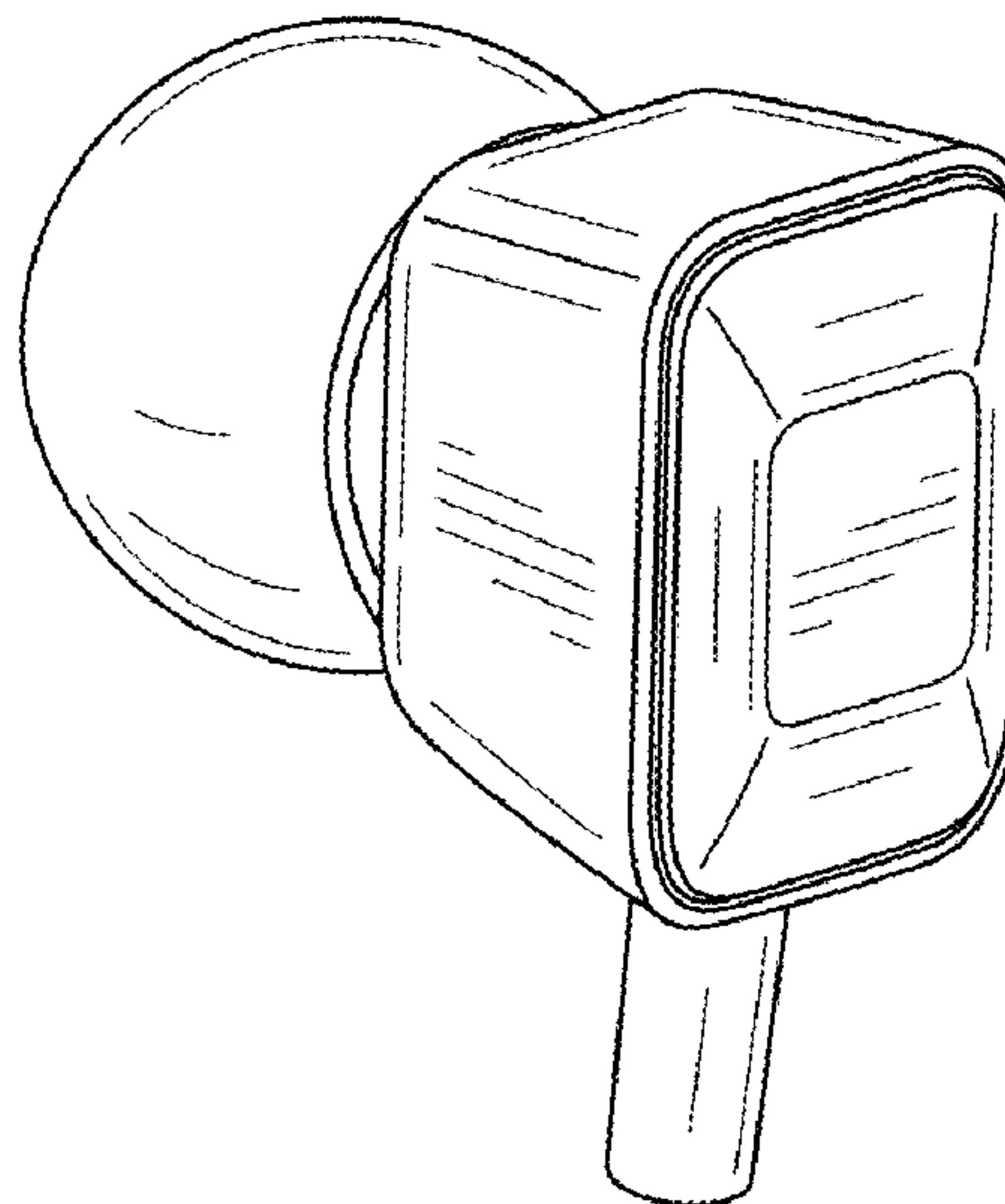
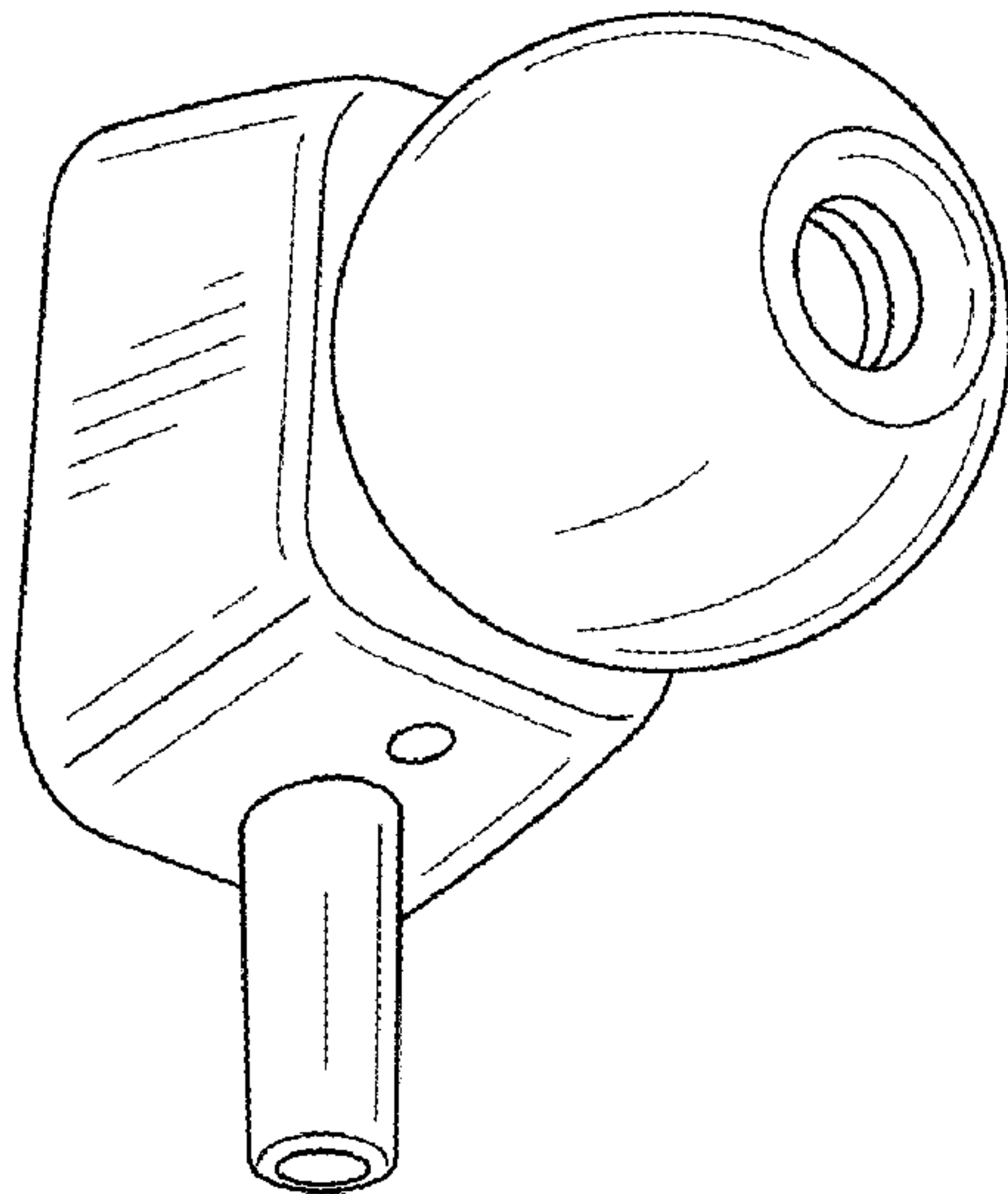
(57) **CLAIM**

The ornamental design for an earbud, as shown and described.

DESCRIPTION

FIG. 1 is a perspective view of an earbud showing my new design;
FIG. 2 is another perspective view thereof;
FIG. 3 is a rear perspective view thereof;
FIG. 4 is a side elevational view thereof;
FIG. 5 is a top plan view thereof;
FIG. 6 is a front elevational view thereof; and,
FIG. 7 is a rear elevational view thereof.

1 Claim, 3 Drawing Sheets



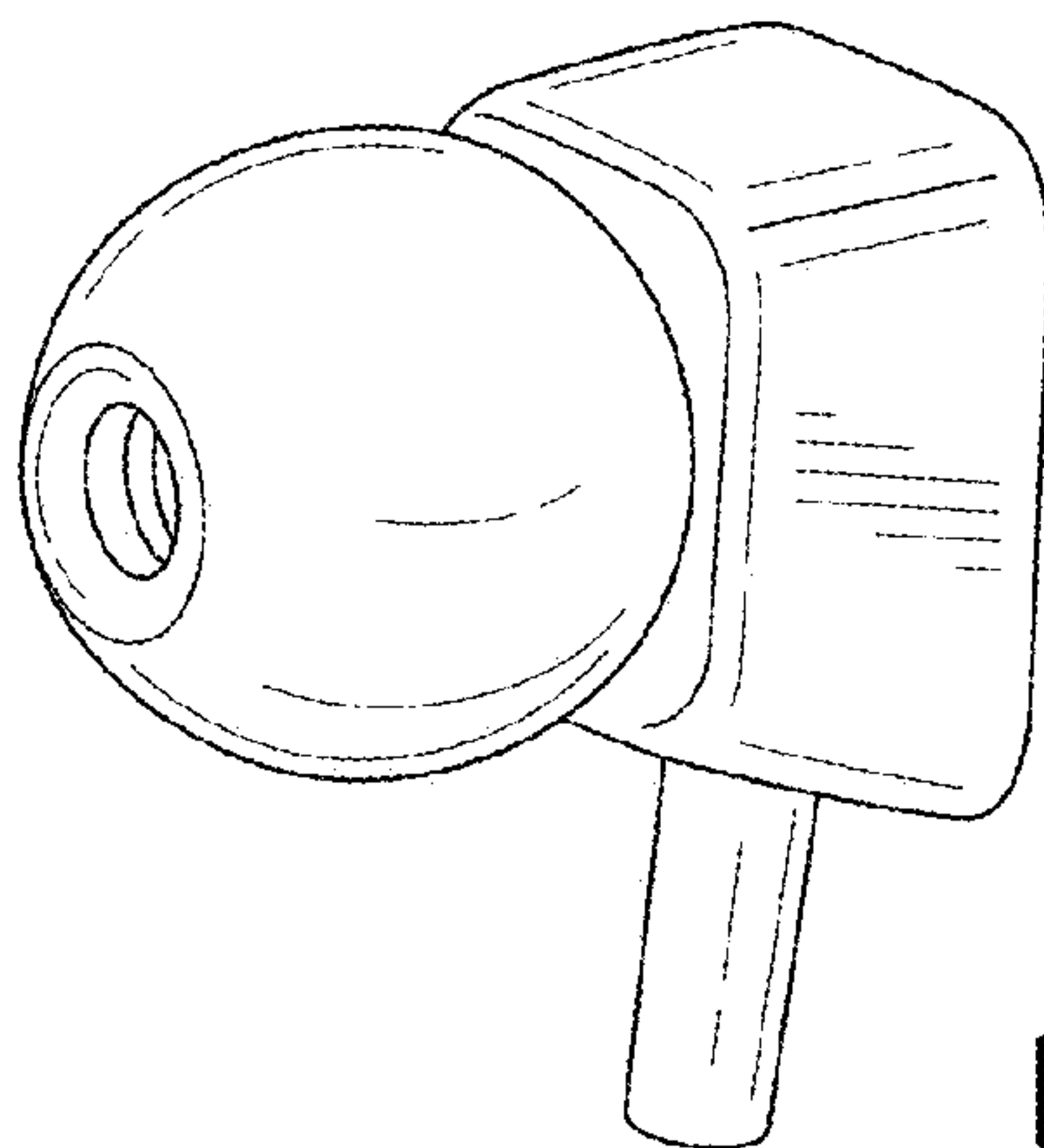


FIG. 1

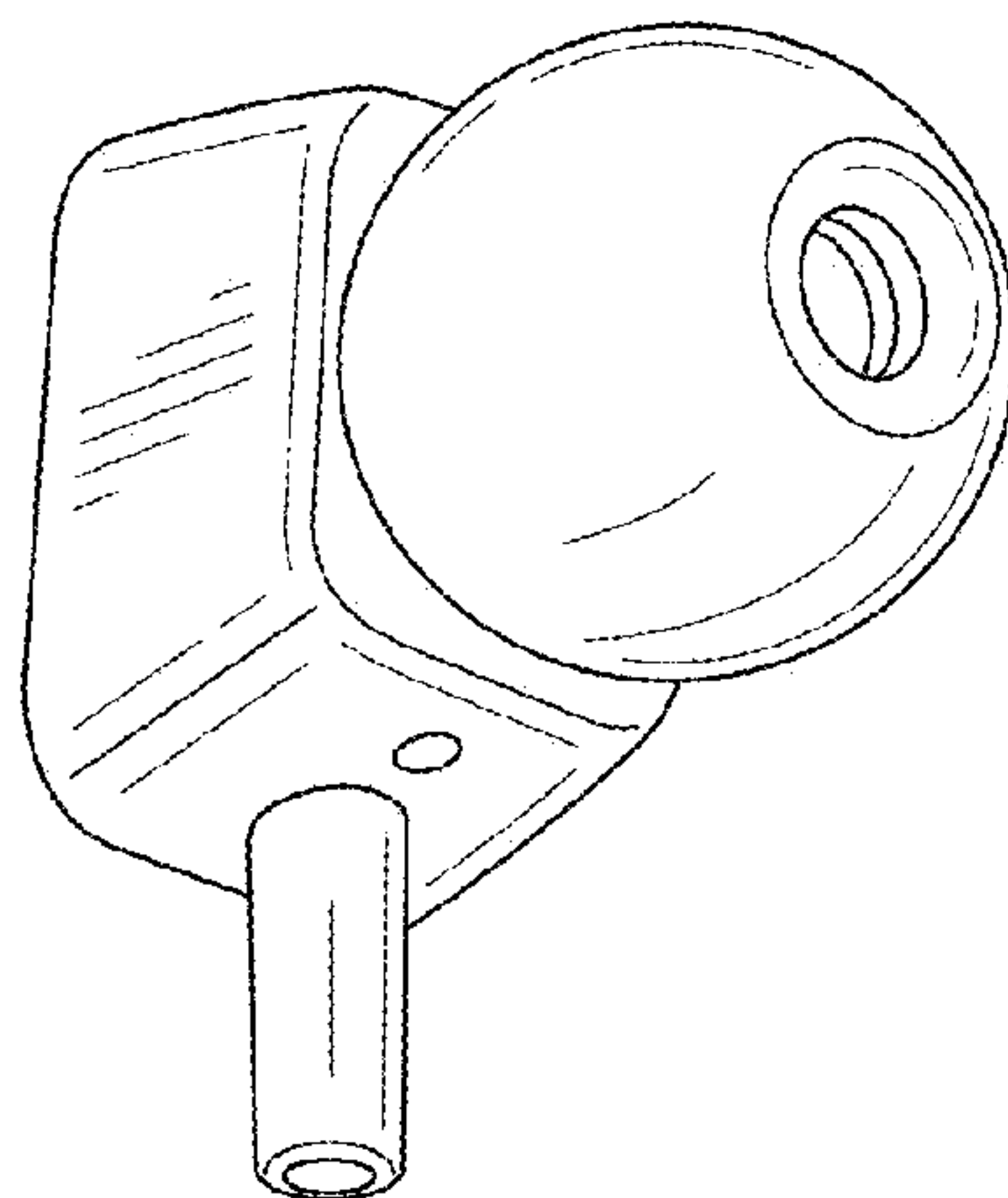


FIG. 2

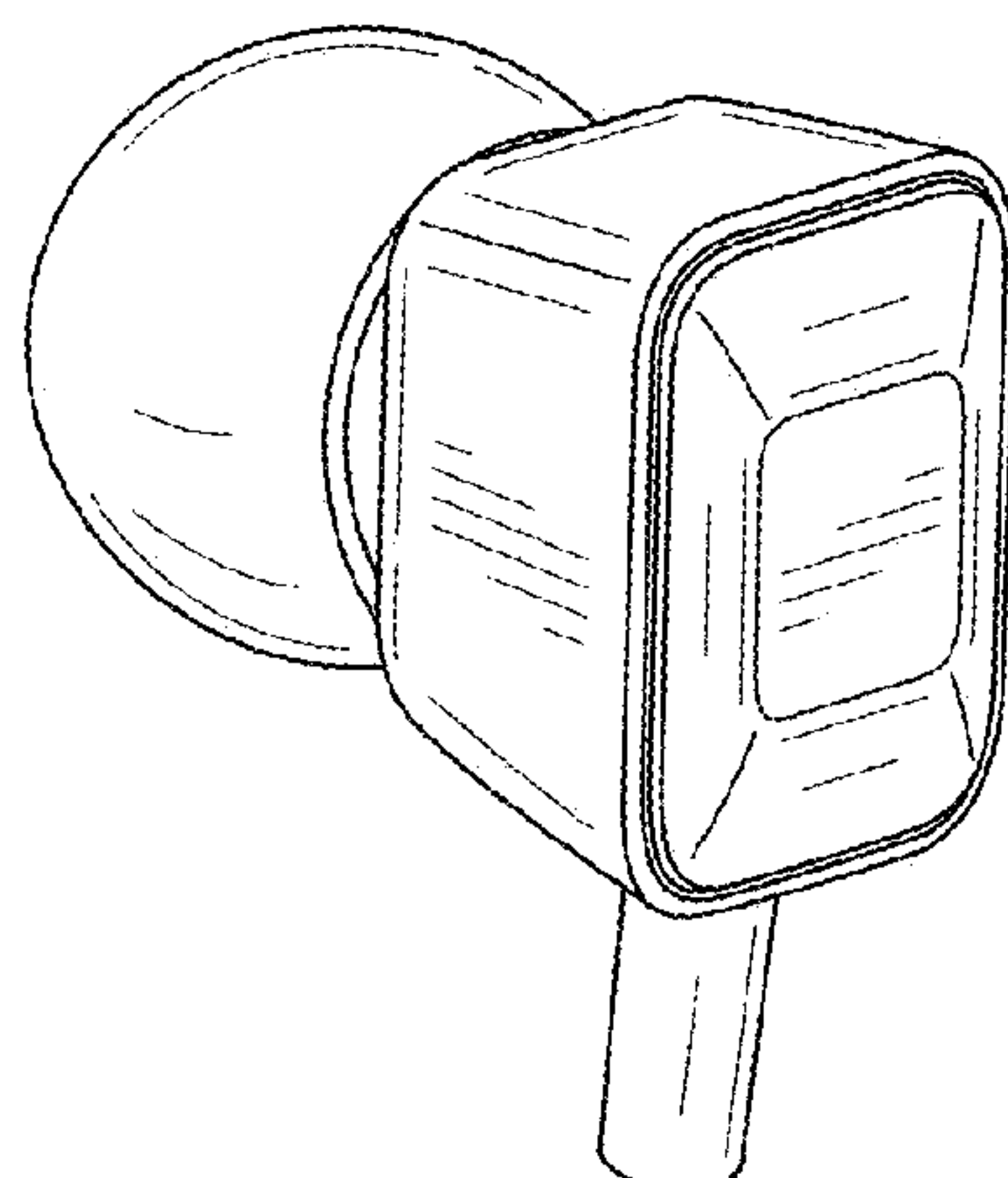


FIG. 3

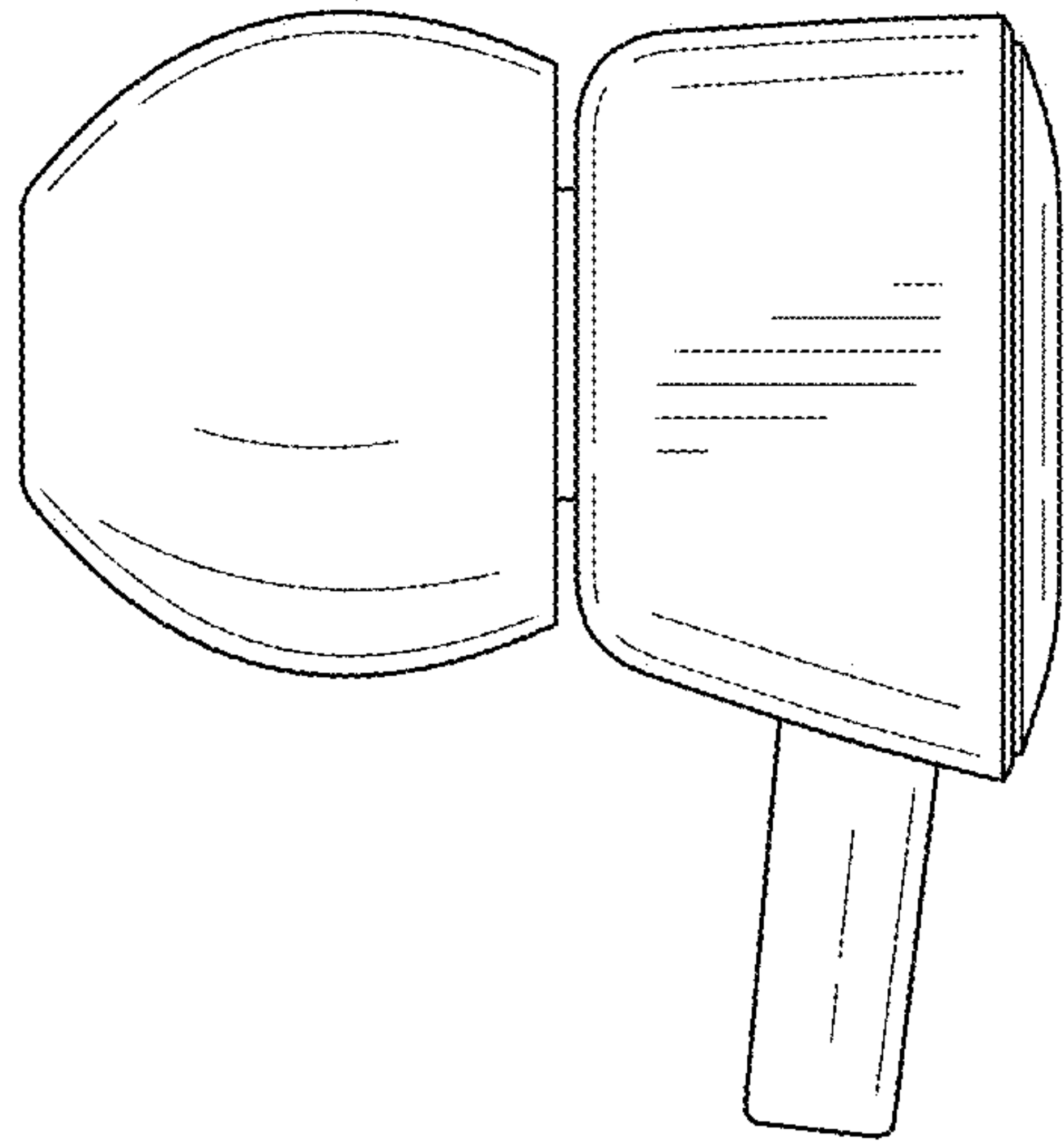


FIG. 4

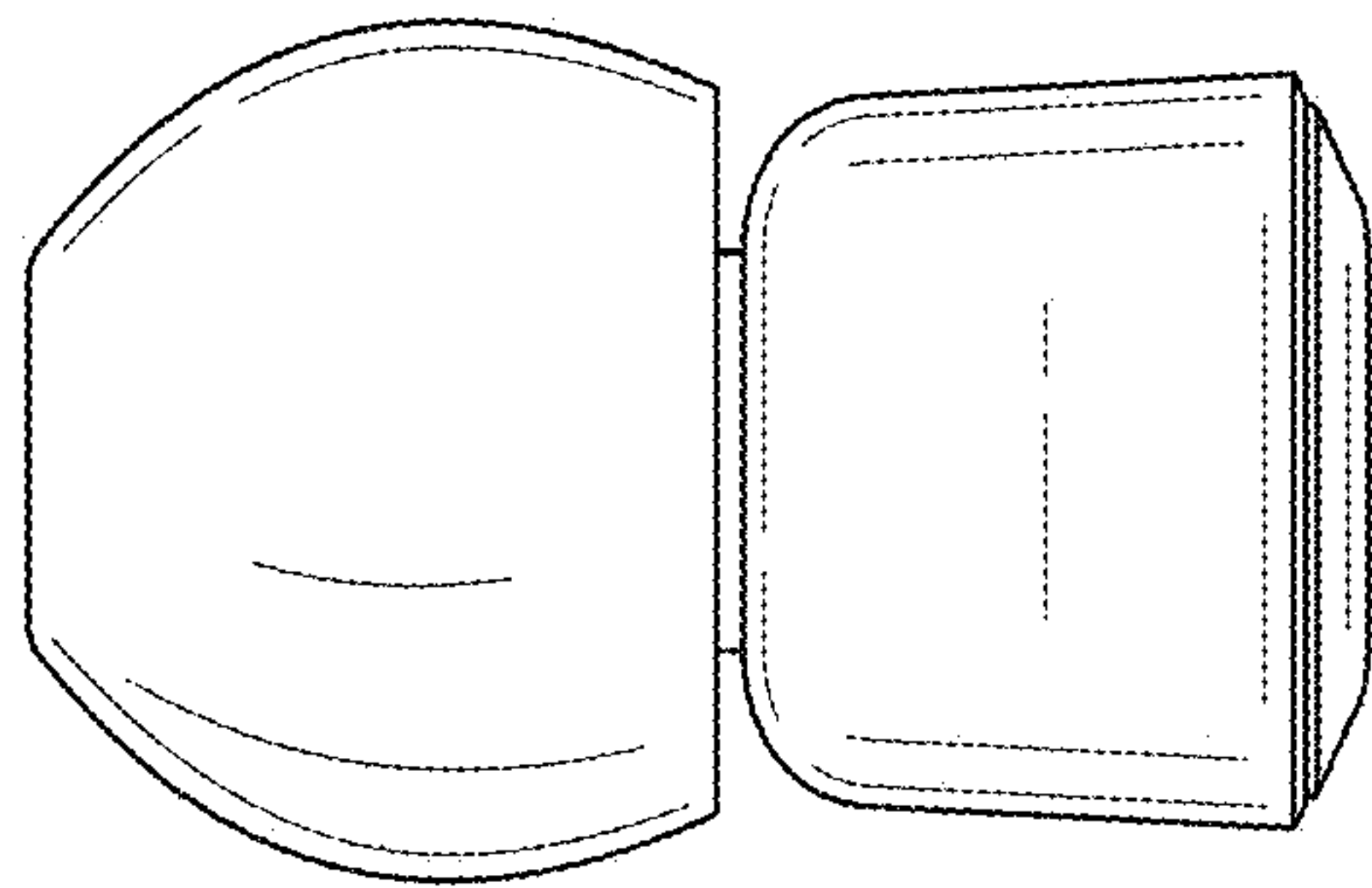


FIG. 5

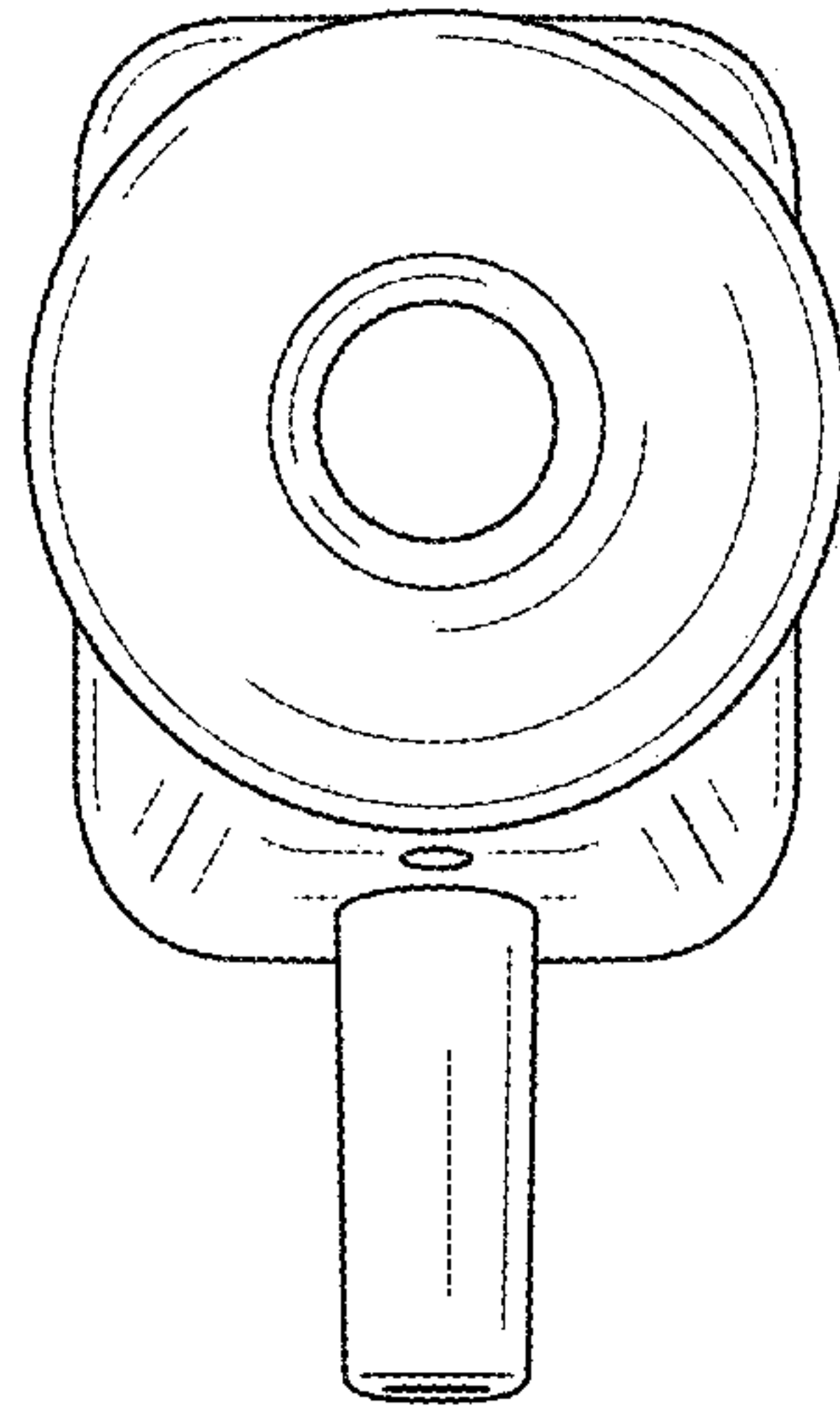


FIG. 6

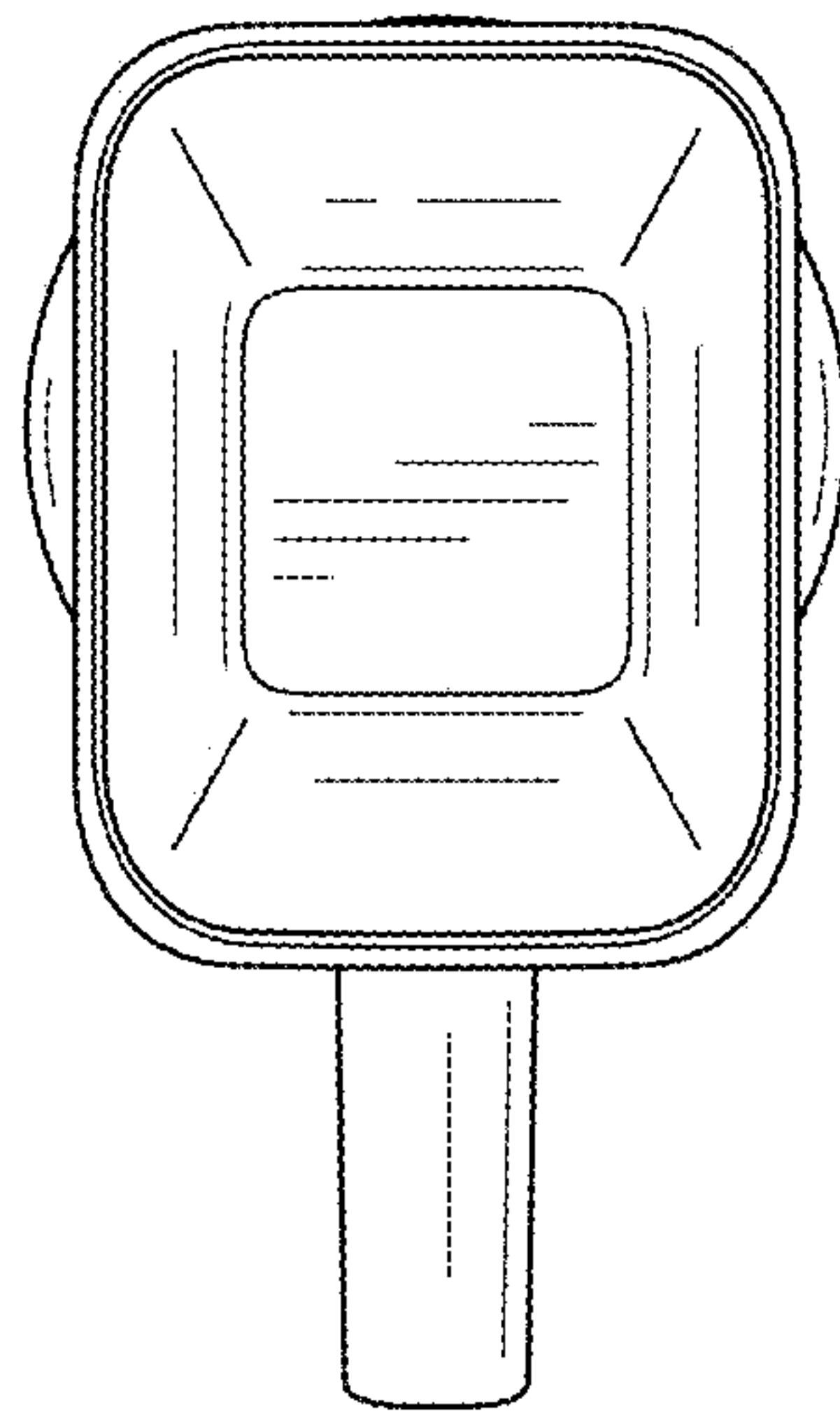


FIG. 7