



US00D700904S

(12) **United States Design Patent**
Miller et al.

(10) **Patent No.:** **US D700,904 S**
(45) **Date of Patent:** **** Mar. 11, 2014**

(54) **REMOTE CONTROL**
(71) Applicants: **Joel H. Miller**, Westborough, MA (US);
Jay Pupecki, Worcester, MA (US)
(72) Inventors: **Joel H. Miller**, Westborough, MA (US);
Jay Pupecki, Worcester, MA (US)
(73) Assignee: **Bose Corporation**, Framingham, MA
(US)

D554,074	S	*	10/2007	Laurent et al.	D13/164
D561,113	S	*	2/2008	Samhammer et al.	D13/162
D596,622	S	*	7/2009	Lee	D14/218
D602,915	S	*	10/2009	Song et al.	D14/218
D602,916	S	*	10/2009	Won et al.	D14/218
D627,306	S	*	11/2010	Charleux	D13/168
D632,265	S	*	2/2011	Choi et al.	D13/168
RE42,686	E	*	9/2011	Shimizu	D13/168
D660,732	S		5/2012	Bould et al.		
D677,180	S		3/2013	Plitkins et al.		

(**) Term: **14 Years**
(21) Appl. No.: **29/449,081**

FOREIGN PATENT DOCUMENTS

NO 082512 4/2010
* cited by examiner

(22) Filed: **Mar. 14, 2013**
(51) **LOC (10) Cl.** **14-03**
(52) **U.S. Cl.**
USPC **D14/218**; D13/168
(58) **Field of Classification Search**
USPC D13/168; D14/218; D10/49, 50;
200/5 A, 5 R, 293; 341/176; 345/169;
340/4.3, 4.42, 12.22, 12.23, 12.24,
340/12.29, 12.3, 12.55, 13.2, 13.21, 13.24;
455/92, 95, 128, 151.1-151.4, 352,
455/353; 700/17, 65, 83
See application file for complete search history.

Primary Examiner — Selina Sikder
(74) *Attorney, Agent, or Firm* — Bose Corporation

(56) **References Cited**
U.S. PATENT DOCUMENTS

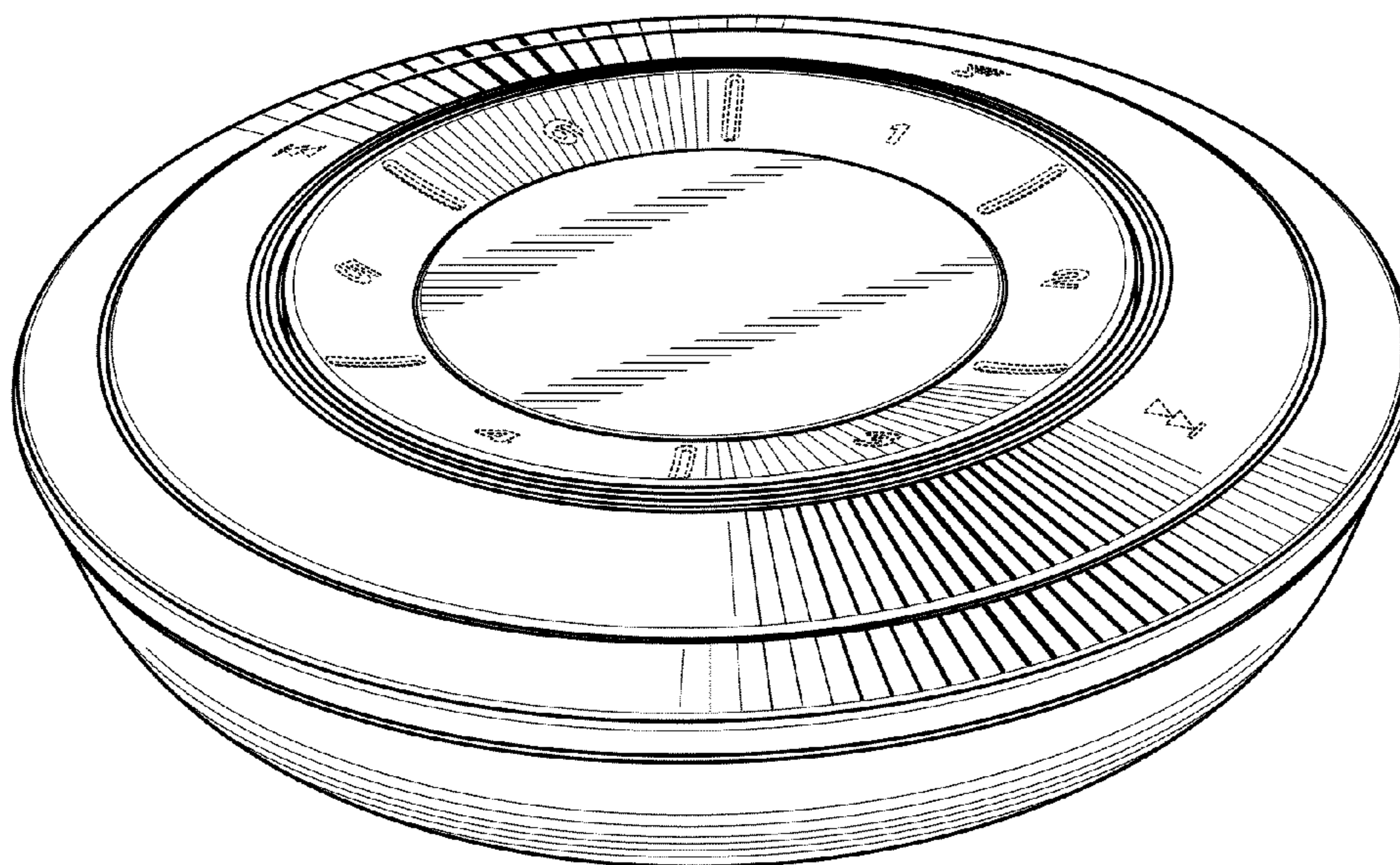
(57) **CLAIM**
The ornamental design for a remote control, substantially as shown and described.

4,582,251	A	*	4/1986	Odom et al.	236/94
D371,793	S	*	7/1996	Patton	D14/218
D526,973	S	*	8/2006	Gates et al.	D13/184

DESCRIPTION

FIG. 1 is a perspective view of a remote control as seen from the top and front;
FIG. 2 is a top view thereof;
FIG. 3 is a bottom view thereof;
FIG. 4 is a front view thereof;
FIG. 5 is a rear view thereof;
FIG. 6 is a left side view thereof; and,
FIG. 7 is a right side view thereof.
The broken lines shown in the Figures are for illustrative purposes only and form no part of the claimed design.

1 Claim, 7 Drawing Sheets



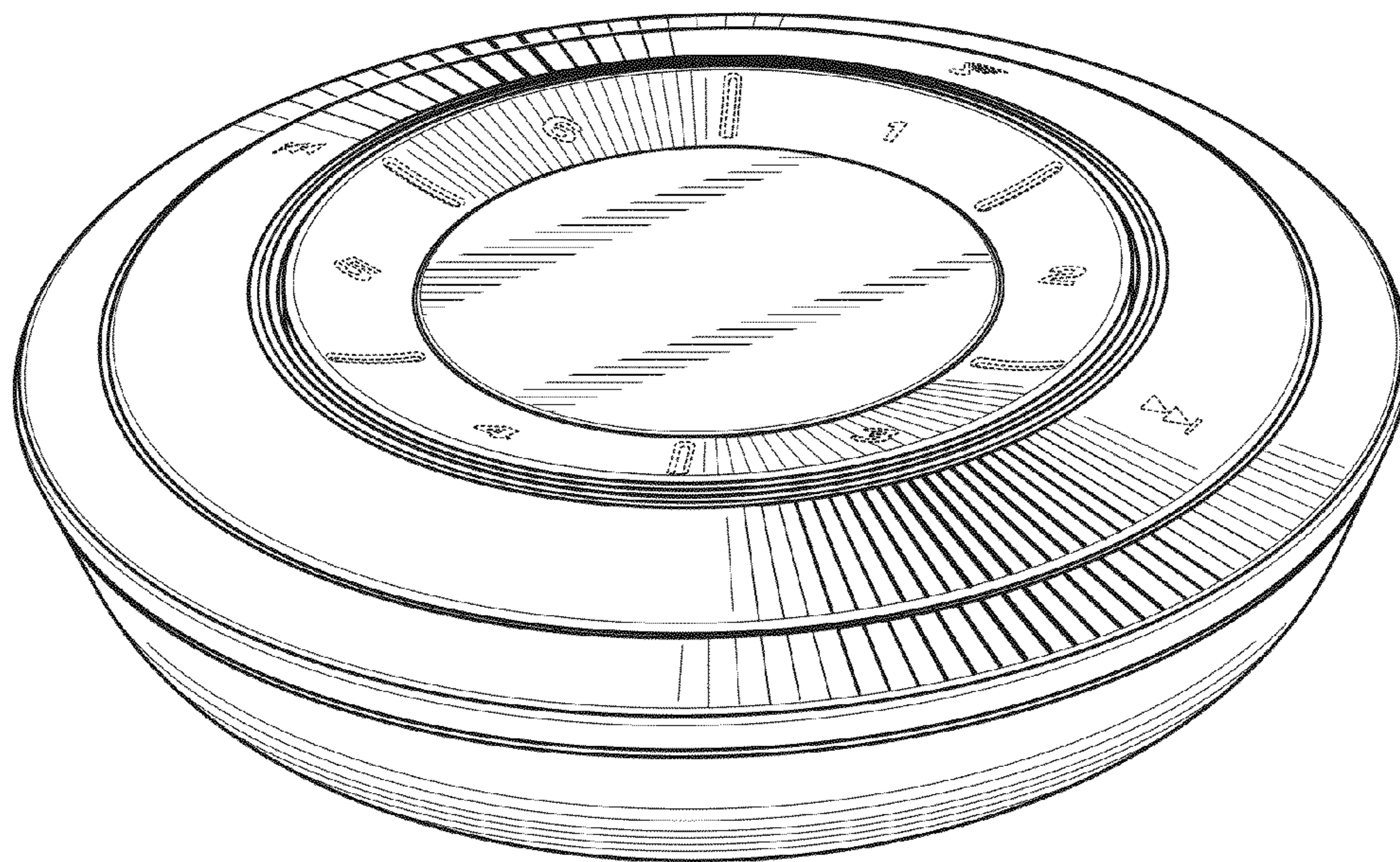


FIG. 1

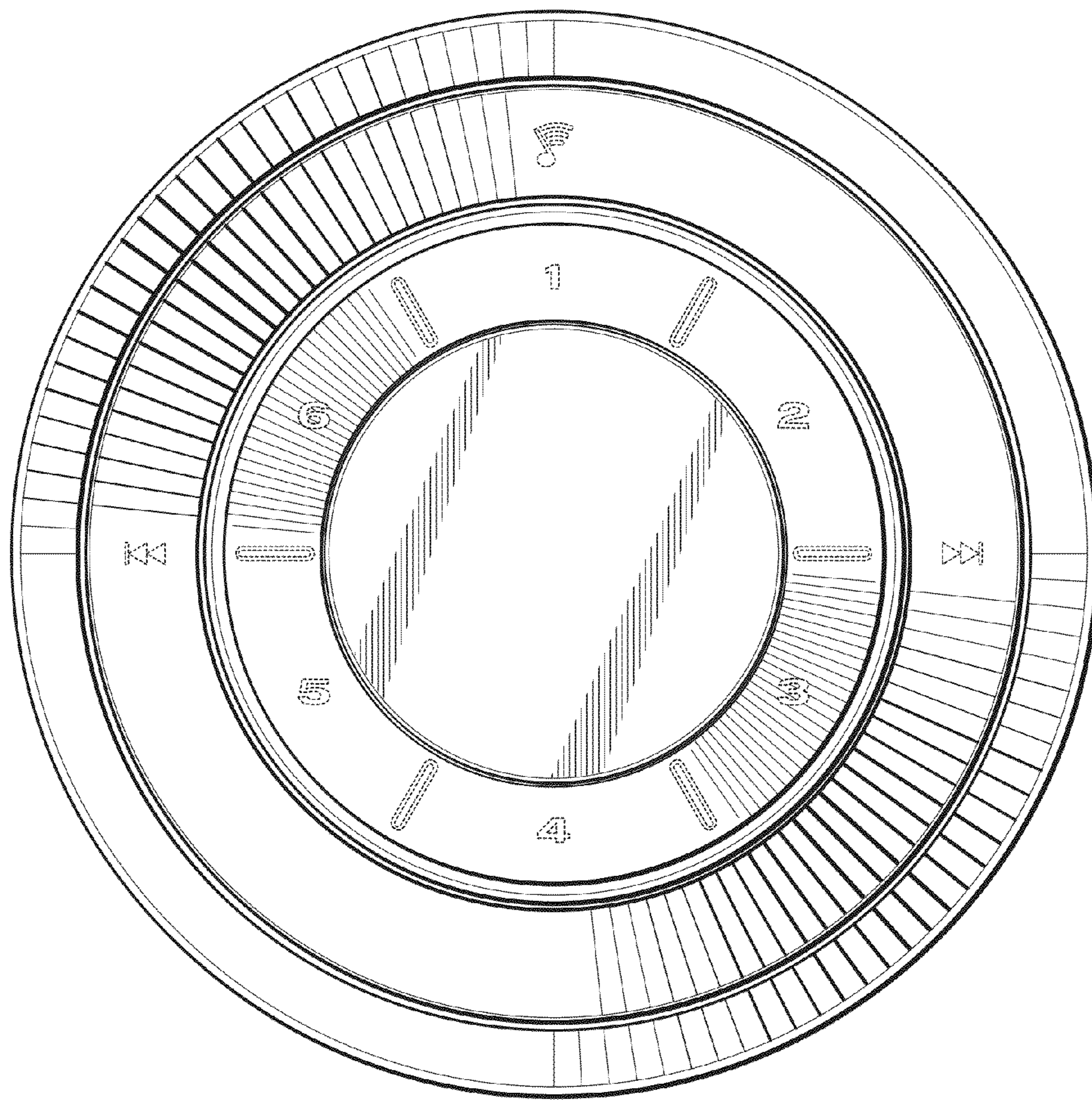


FIG. 2

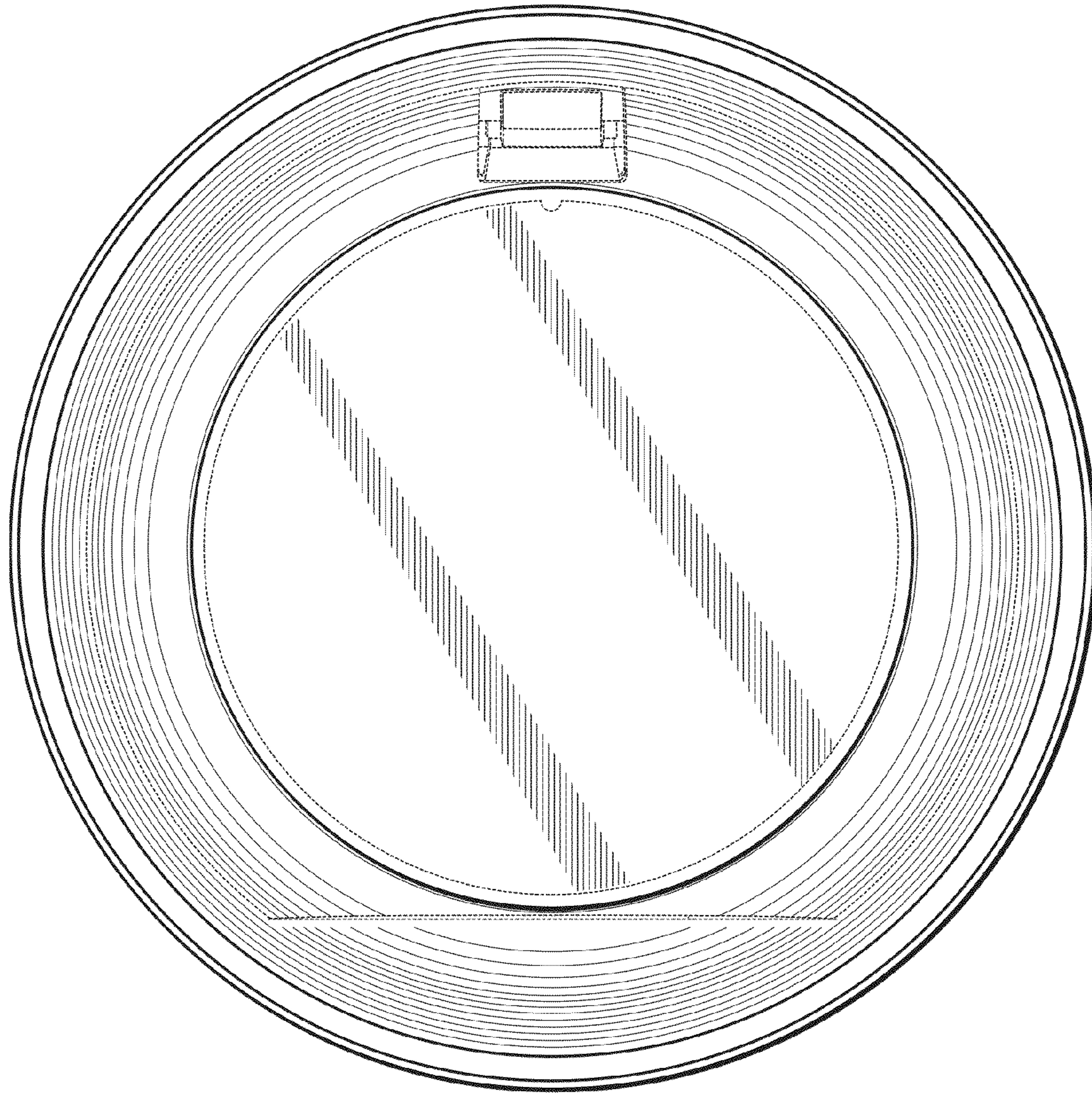


FIG. 3

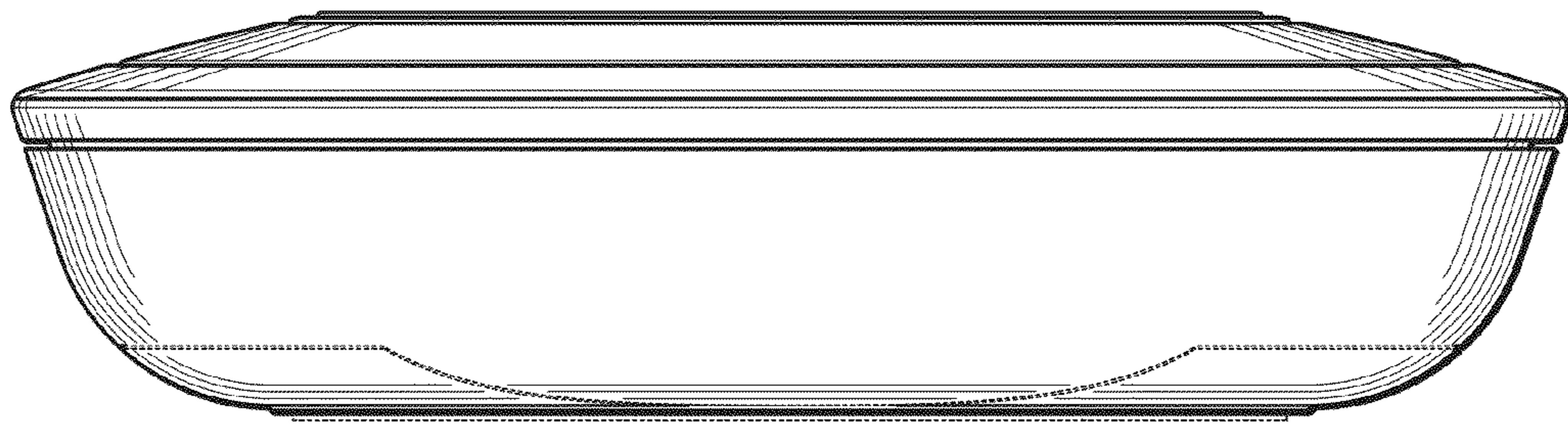


FIG. 4

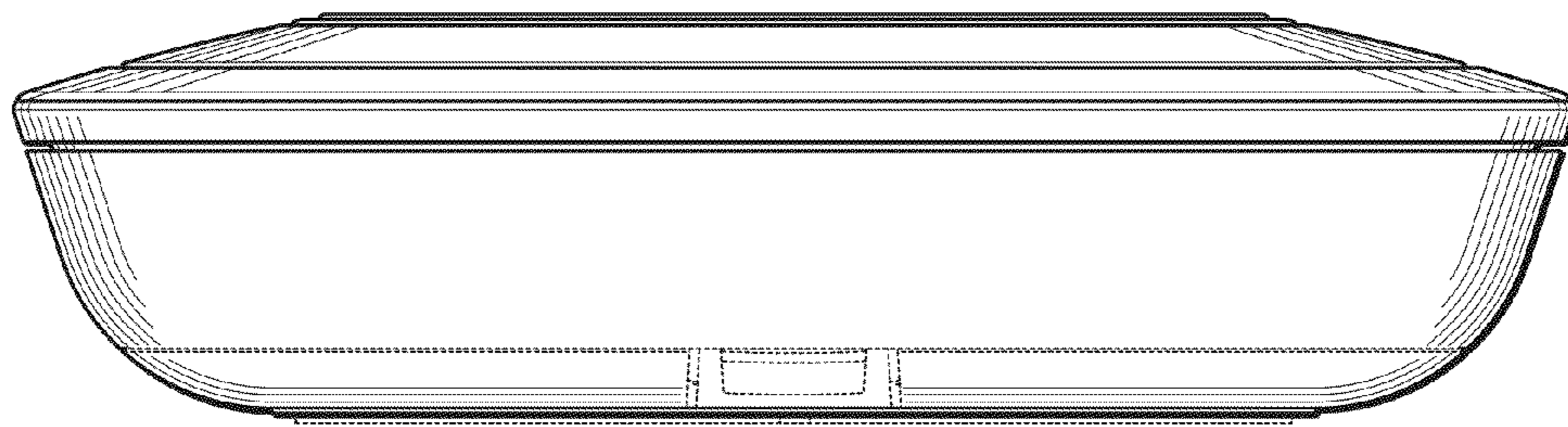


FIG. 5

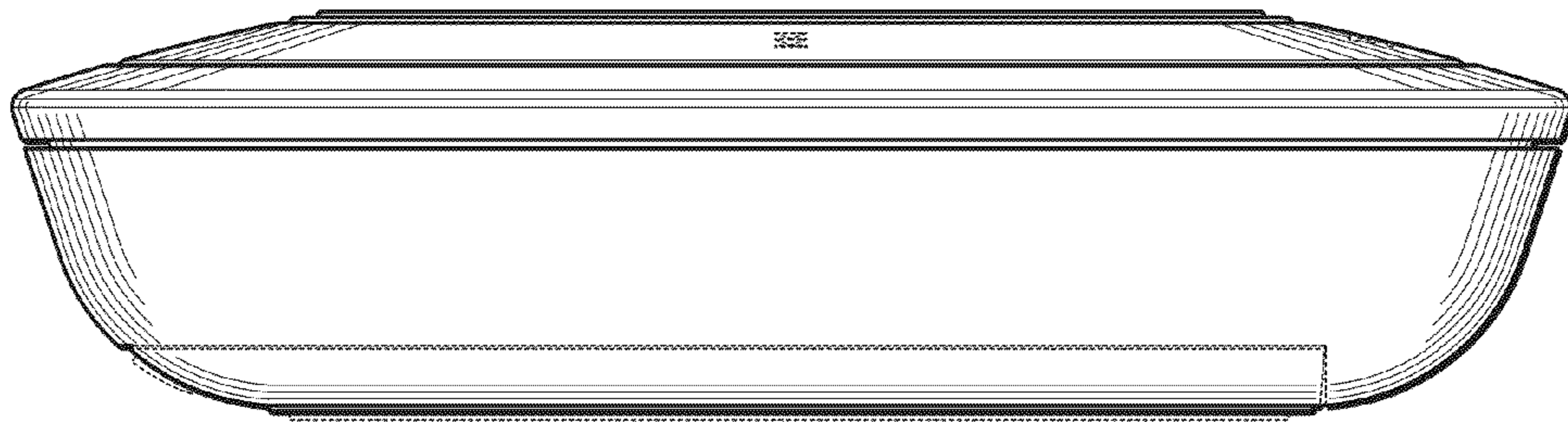


FIG. 6

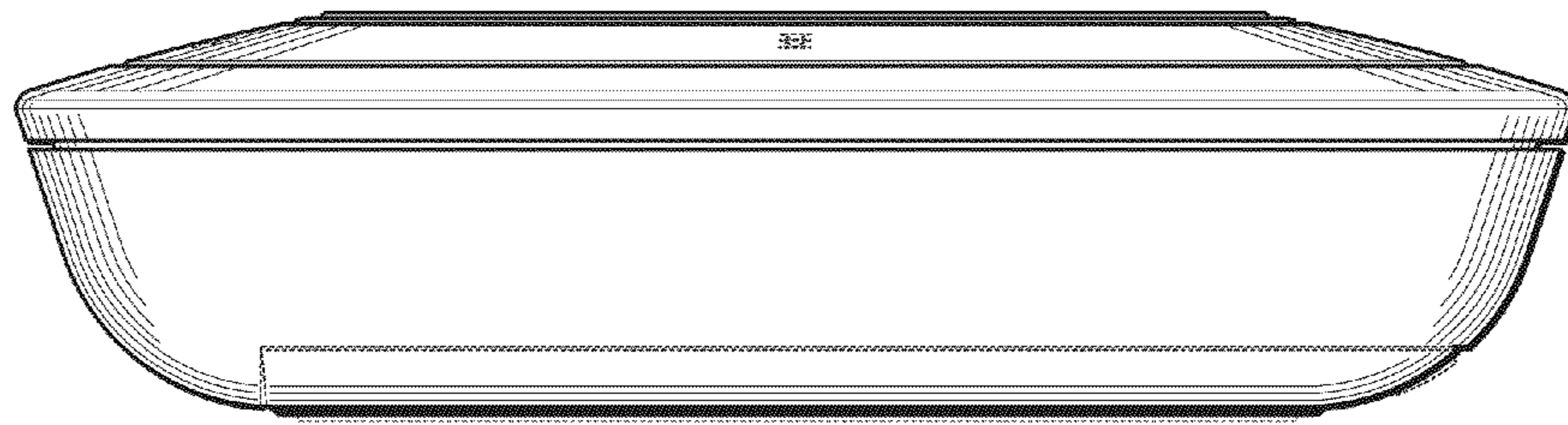


FIG. 7