

US00D700903S

(12) **United States Design Patent**
Hoffman et al.

(10) **Patent No.:** **US D700,903 S**
(45) **Date of Patent:** **** Mar. 11, 2014**

(54) **SOUND AMPLIFIER**

(71) Applicants: **Dan Hoffman**, Long Valley, NJ (US);
Jake Hoffman, Long Valley, NJ (US)

(72) Inventors: **Dan Hoffman**, Long Valley, NJ (US);
Jake Hoffman, Long Valley, NJ (US)

(**) Term: **14 Years**

(21) Appl. No.: **29/445,022**

(22) Filed: **Feb. 6, 2013**

(51) **LOC (10) Cl.** **14-01**

(52) **U.S. Cl.**
USPC **D14/208**; D14/261; D14/265; D14/209.1

(58) **Field of Classification Search**
USPC D14/204, 207, 208, 210–216, 172, 265,
D14/261, 209.1; 181/143, 144, 147, 148,
181/150–153, 157, 192, 198, 199;
381/300–303, 306, 332, 333, 345,
381/361–354, 120

See application file for complete search history.

(56) **References Cited**

U.S. PATENT DOCUMENTS

D69,446 S * 2/1926 Frisch et al. D14/208
D71,069 S * 9/1926 Lehman D14/208
3,034,390 A * 5/1962 Nichols 84/729

D338,466 S * 8/1993 Jung D14/208
5,898,788 A * 4/1999 Kim 381/341
D486,140 S * 2/2004 Park D14/172
D521,498 S * 5/2006 Omori et al. D14/215
D524,798 S * 7/2006 Koizumi D14/215
D536,331 S * 2/2007 Hussaini et al. D14/209.1
D585,873 S * 2/2009 Gunnarsson D14/208
D601,545 S * 10/2009 Joseph D14/209.1
D610,127 S * 2/2010 Daniele D14/209.1
D677,650 S * 3/2013 Bosa D14/208

* cited by examiner

Primary Examiner — Prabhakar Deshmukh

(74) *Attorney, Agent, or Firm* — QuickPatents; Kevin Prince

(57) **CLAIM**

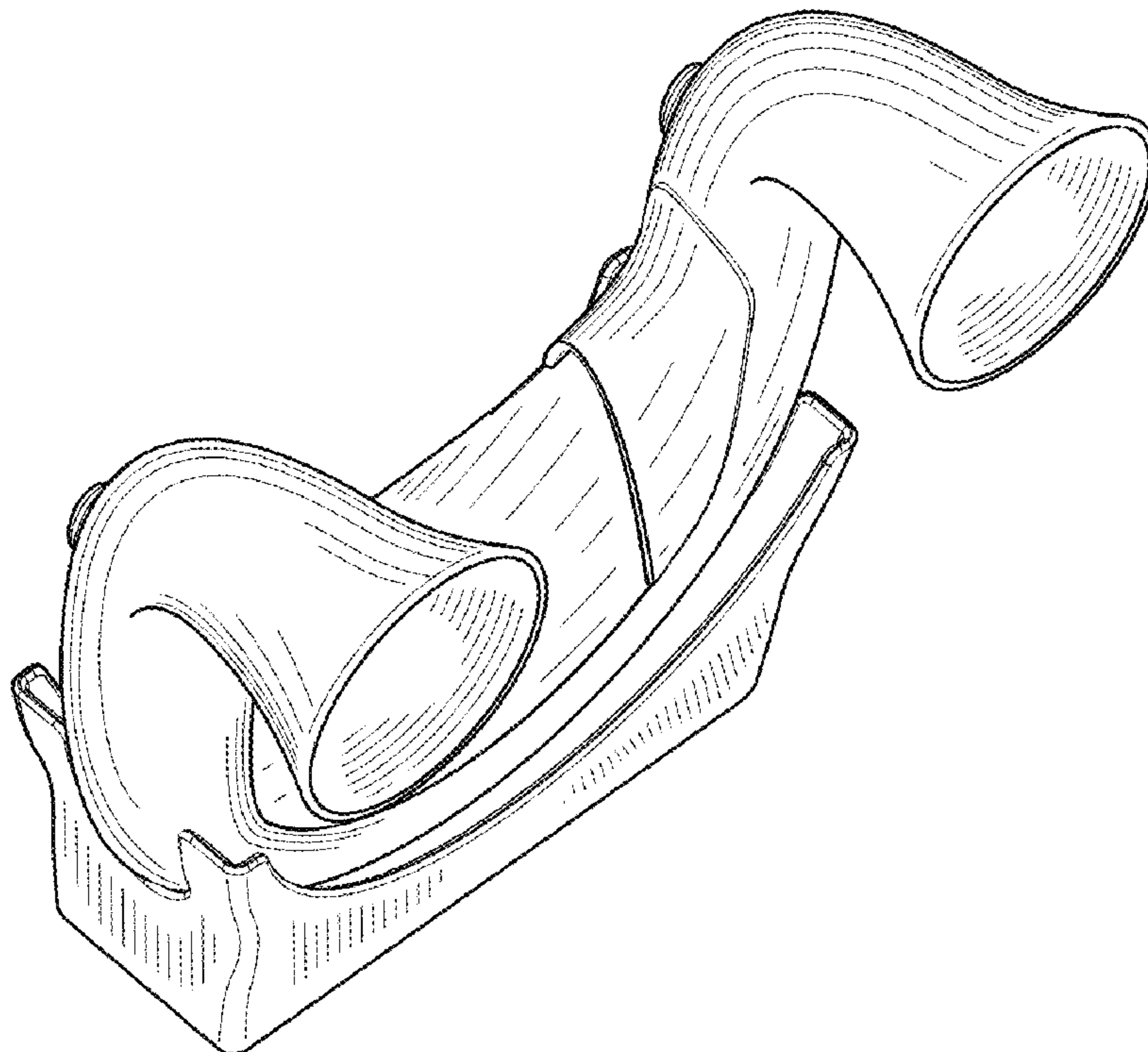
We claim the ornamental design for a sound amplifier, as shown and described.

DESCRIPTION

FIG. 1 is a front perspective view of a sound amplifier, showing our new design;
FIG. 2 is a rear perspective view thereof;
FIG. 3 is a front elevational view thereof;
FIG. 4 is a rear elevational view thereof;
FIG. 5 is a right-side elevational view thereof, the left-side elevational view being a mirror image thereof;
FIG. 6 is a top plan view thereof; and,
FIG. 7 is a bottom plan view thereof.

The broken lines showing a mobile phone in FIG. 3 depict environmental matter and form no part of the claimed design.

1 Claim, 3 Drawing Sheets



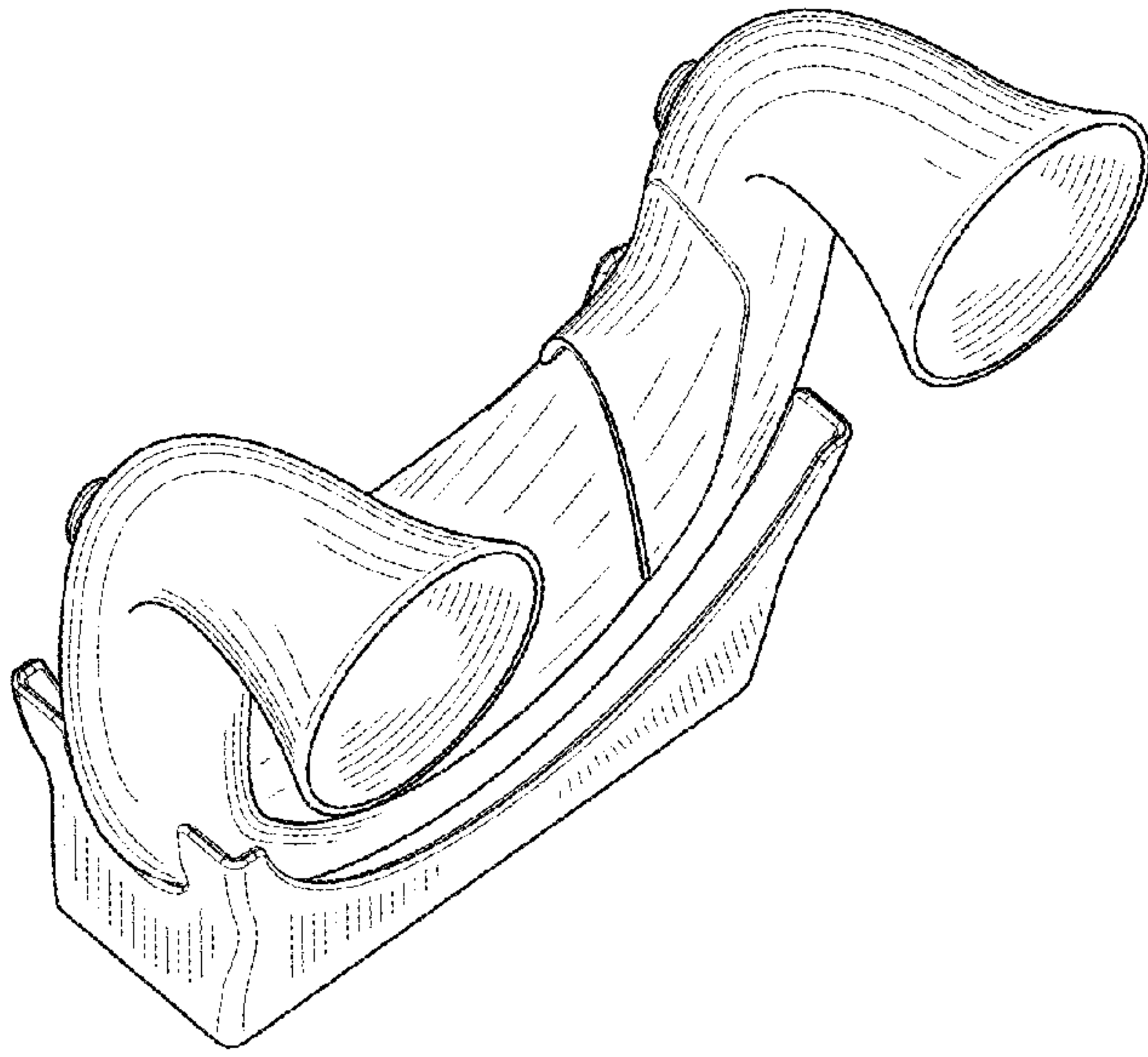


FIG. 1

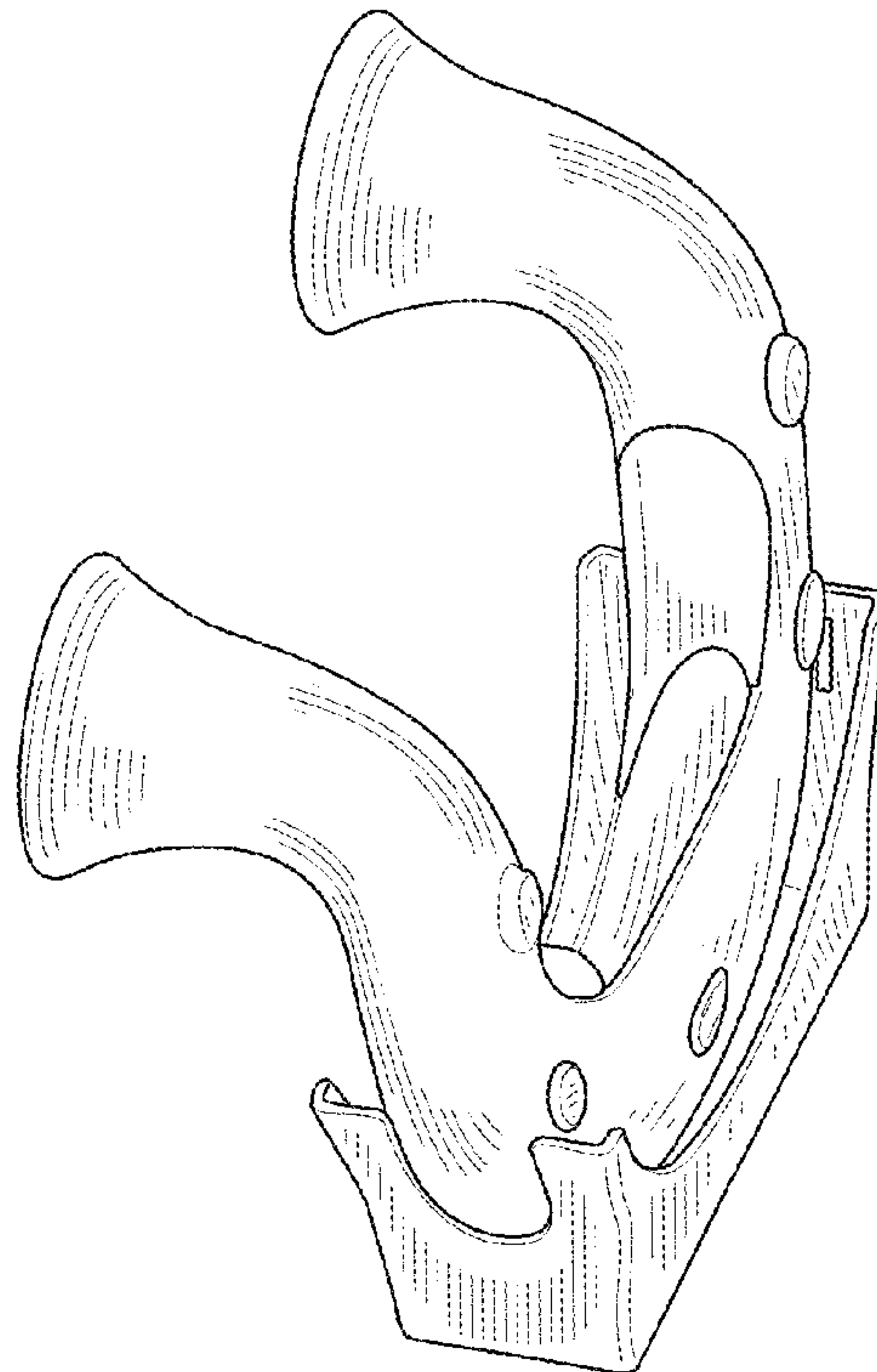


FIG. 2

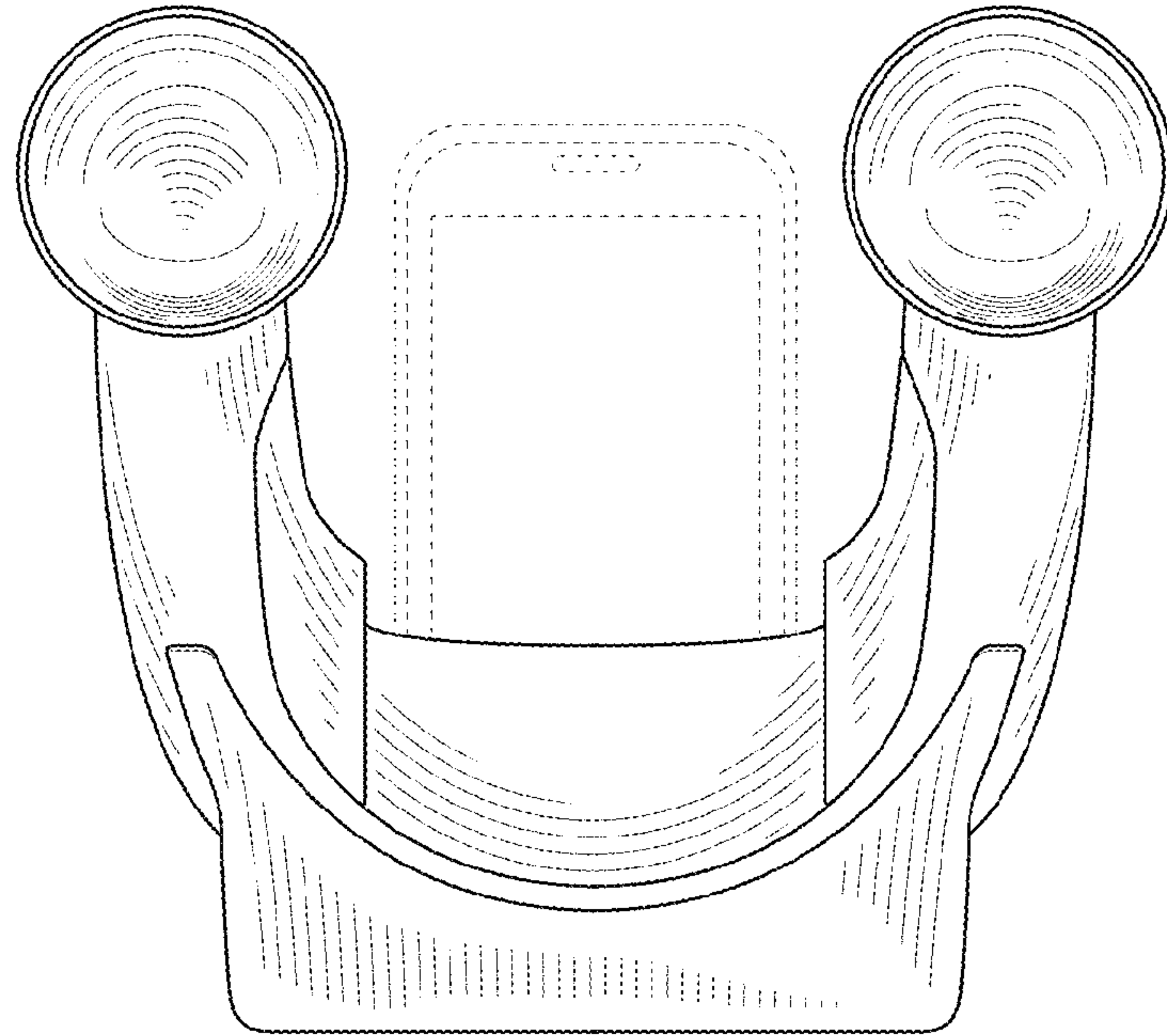


FIG. 3

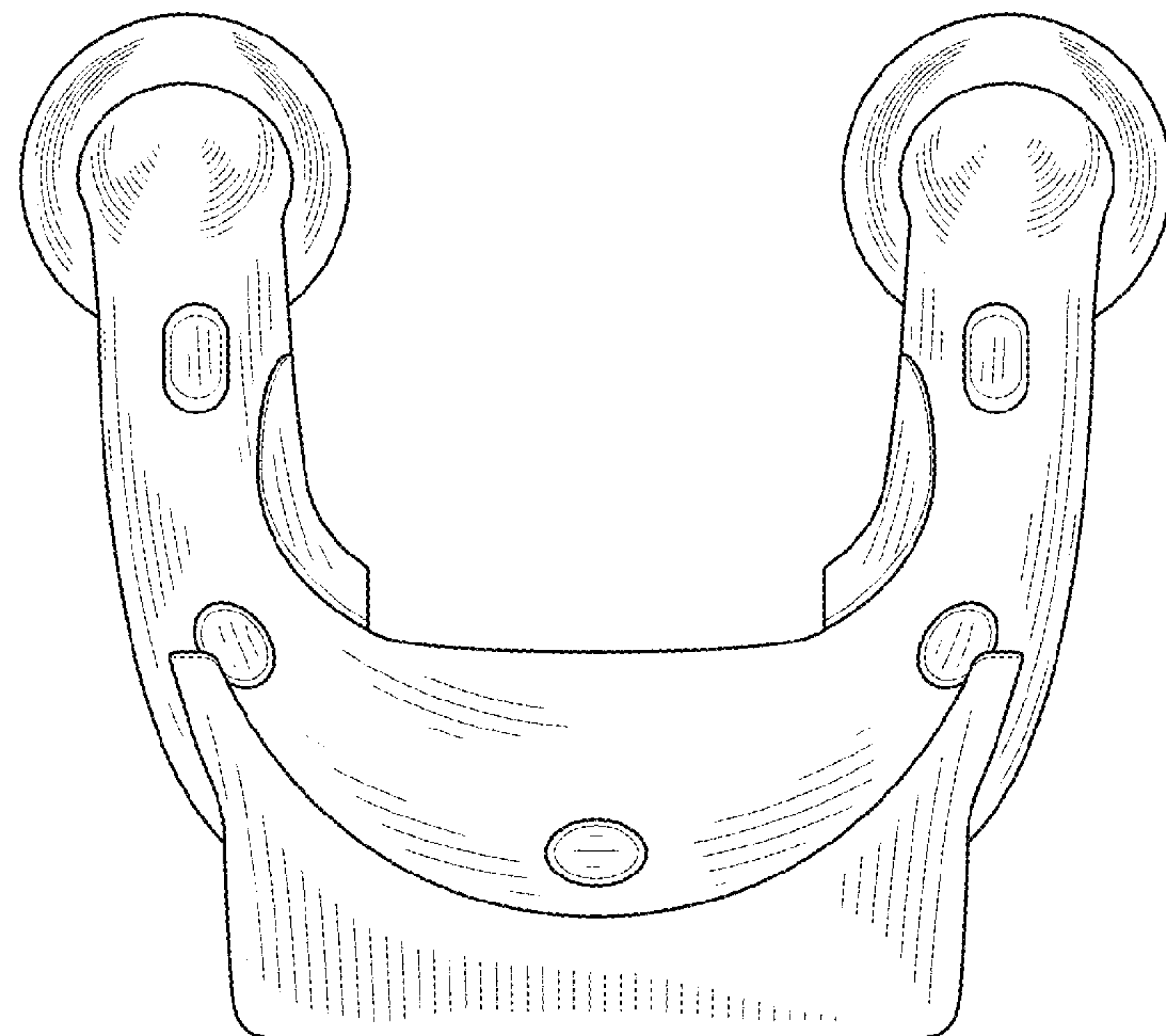


FIG. 4

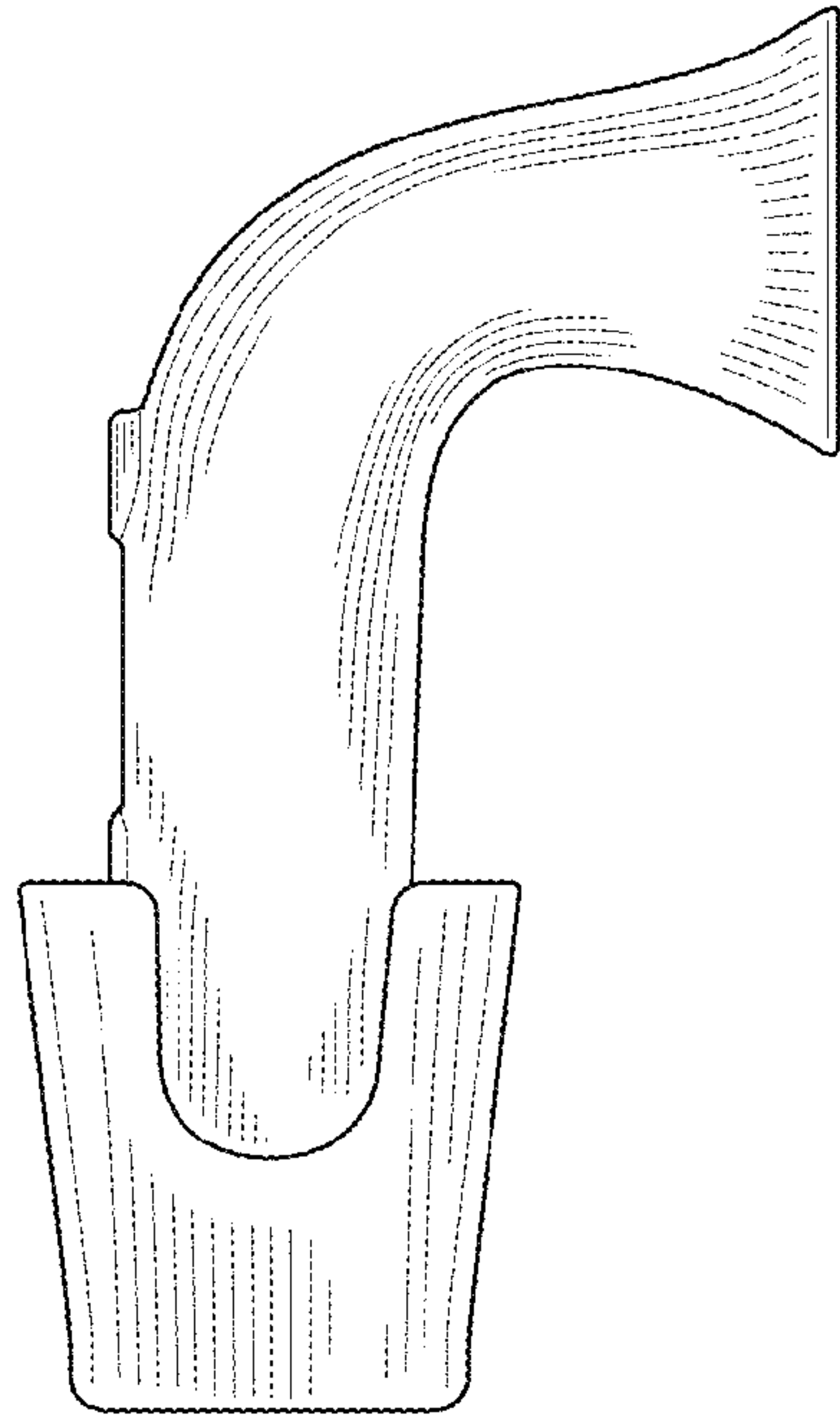


FIG. 5

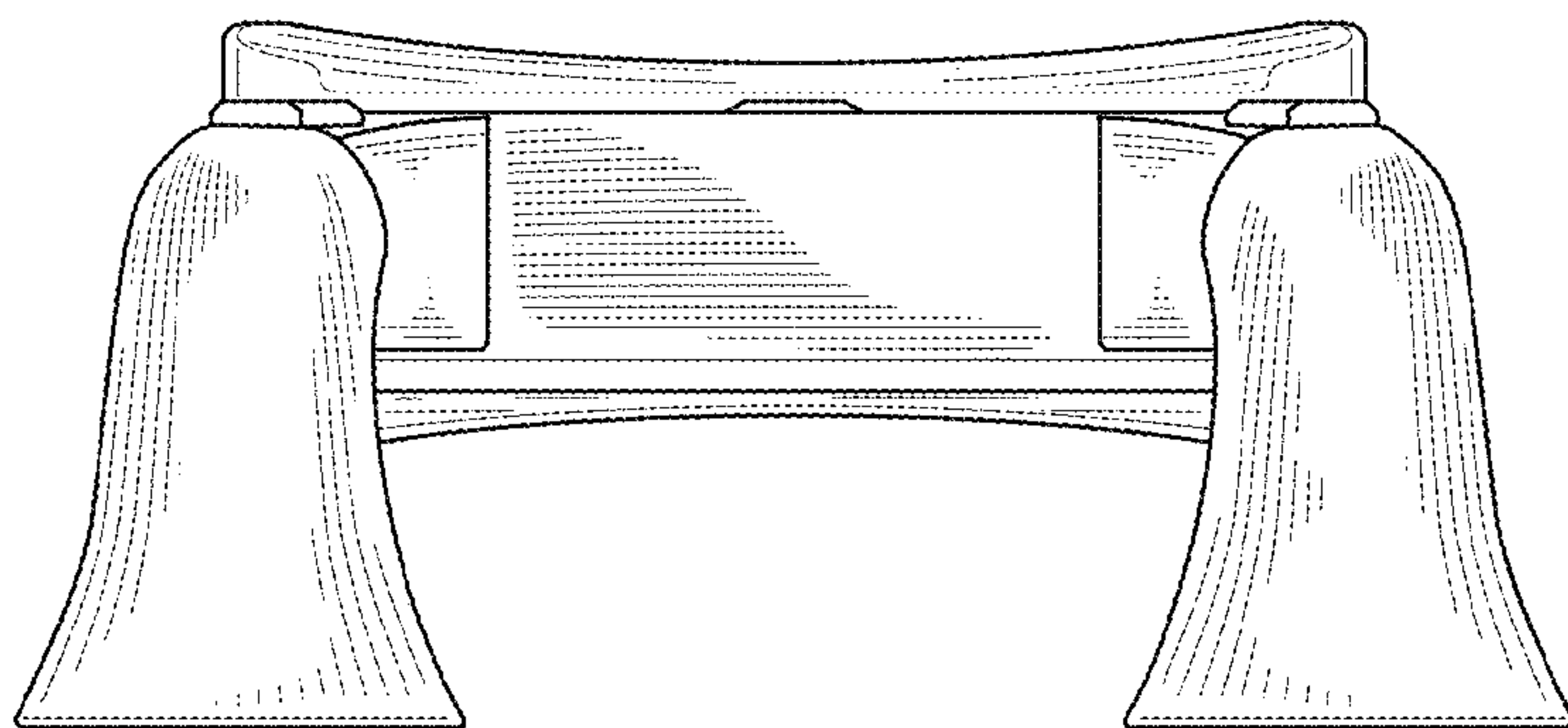


FIG. 6

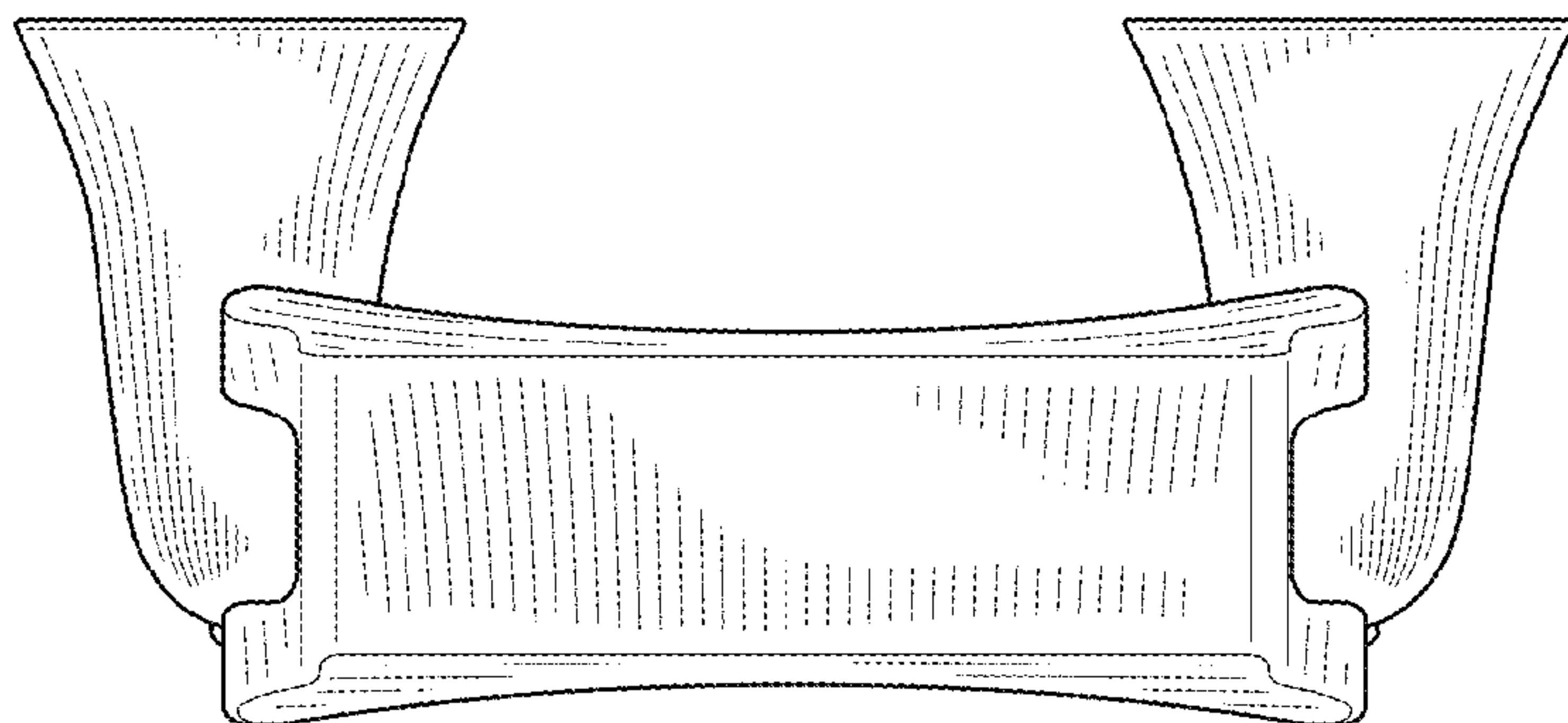


FIG. 7