



US00D700900S

(12) **United States Design Patent**
Khadivar

(10) **Patent No.:** **US D700,900 S**
(45) **Date of Patent:** **** Mar. 11, 2014**

(54) **DVD-CD PLAYER**

(76) Inventor: **Michael Khadivar**, Lincolnwood, IL
(US)

(**) Term: **14 Years**

(21) Appl. No.: **29/420,574**

(22) Filed: **May 10, 2012**

(51) **LOC (10) Cl.** **14-03**

(52) **U.S. Cl.**
USPC **D14/129**

(58) **Field of Classification Search**

USPC D14/125-134, 239, 371, 136, 374-377,
D14/440, 450, 448, 336, 342, 159; 312/7.2;
348/836, 838, 180, 184, 325, 739;
341/12; 248/917-924, 465; 345/104,
345/133, 156, 168, 87, 173; 720/605, 669,
720/600, 655; 369/99, 197; D21/329, 515,
D21/577, 622, 333, 433, 448, 452, 450,
D21/331; D6/477, 479, 300-310;
273/148 B; 446/484, 175, 356; D10/15,
D10/26

See application file for complete search history.

(56) **References Cited**

U.S. PATENT DOCUMENTS

4,266,092 A	5/1981	Barker, III	
4,561,085 A	12/1985	Funabashi	
D296,690 S	7/1988	Koo	
D297,233 S	8/1988	Livigni	
D308,868 S	6/1990	Kohno	
D310,525 S	9/1990	Camens	
D315,905 S	4/1991	Ito	
5,016,236 A	5/1991	Cho	
D318,659 S *	7/1991	Yamazaki D14/126
D327,270 S	6/1992	Metzler	
D327,684 S	7/1992	Totsuka	
D338,007 S	8/1993	Mauch	
D339,345 S	9/1993	Fuke	
D341,832 S	11/1993	Ito et al.	

D343,393 S	1/1994	Ito et al.	
D350,754 S	9/1994	Sasago	
D350,960 S	9/1994	Sakata et al.	
D364,623 S	11/1995	Khadivar	
D365,561 S	12/1995	Khadivar	
D390,951 S	2/1998	Yeh	
D401,241 S	11/1998	Runquist et al.	
5,898,650 A	4/1999	Porsbo et al.	
D409,607 S	5/1999	Shiono	
D415,492 S	10/1999	Metzler	
D433,394 S *	11/2000	Suzuki D14/126

(Continued)

OTHER PUBLICATIONS

1994 Audio/Video Pioneer Product Guide, p. 45, Pioneer PD-F51 Compact Disc Player.

(Continued)

Primary Examiner — Raphael Barkai
(74) *Attorney, Agent, or Firm* — Vedder Price P.C.

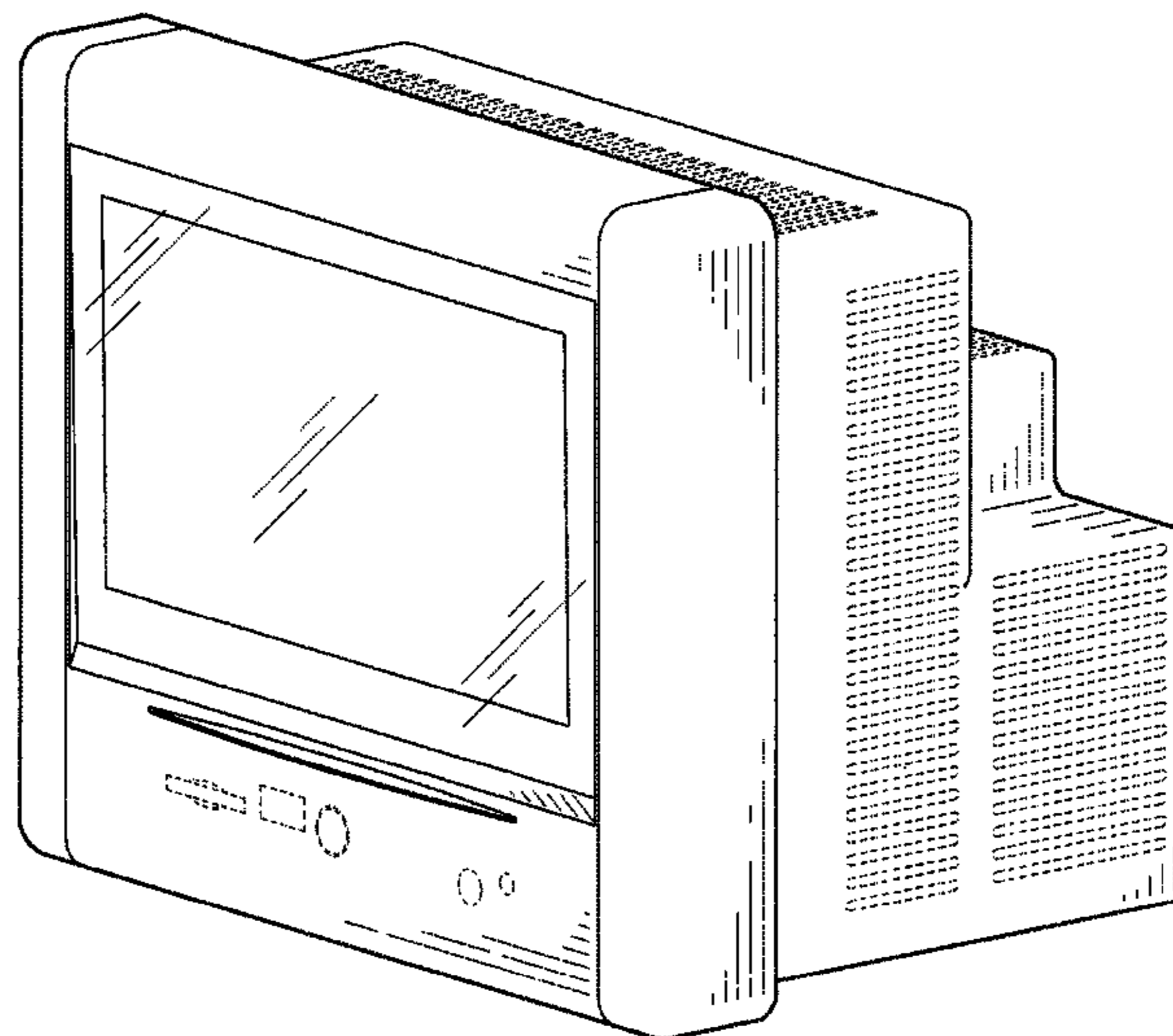
(57) **CLAIM**

I claim the ornamental design for a DVD-CD player, as shown in the accompanying figures.

DESCRIPTION

FIG. 1 is a perspective view of a DVD-CD player showing my new design;
FIG. 2 is a top perspective view thereof;
FIG. 3 is a rear perspective view thereof;
FIG. 4 is a side perspective view thereof;
FIG. 5 is a front elevational view thereof;
FIG. 6 is a right side elevational view thereof;
FIG. 7 is a left side elevational view thereof;
FIG. 8 is a rear elevational view thereof;
FIG. 9 is a top plan view thereof; and,
FIG. 10 is a bottom plan view thereof.
The elements shown in broken lines are for illustrative purposes only and form no part of the claimed design.

1 Claim, 10 Drawing Sheets



(56)

References Cited

OTHER PUBLICATIONS

U.S. PATENT DOCUMENTS

D442,942 S	5/2001	Tsuge	
D480,062 S	9/2003	Kulkarni	
D489,702 S	5/2004	Jones	
D560,178 S *	1/2008	Ren	D14/129
D563,919 S *	3/2008	Ham et al.	D14/129
D615,507 S *	5/2010	Koza et al.	D14/126
D656,527 S *	3/2012	May	D16/135

http://www.p4c.philips.com/files/a/aj3980_17/aj3980_17_ihr_us.jpg; printed Oct. 10, 2003.

http://www.p4c.philips.com/files/m/mz120037/mz20037_ihr_us.jpg; printed Oct. 10, 2003.

* cited by examiner

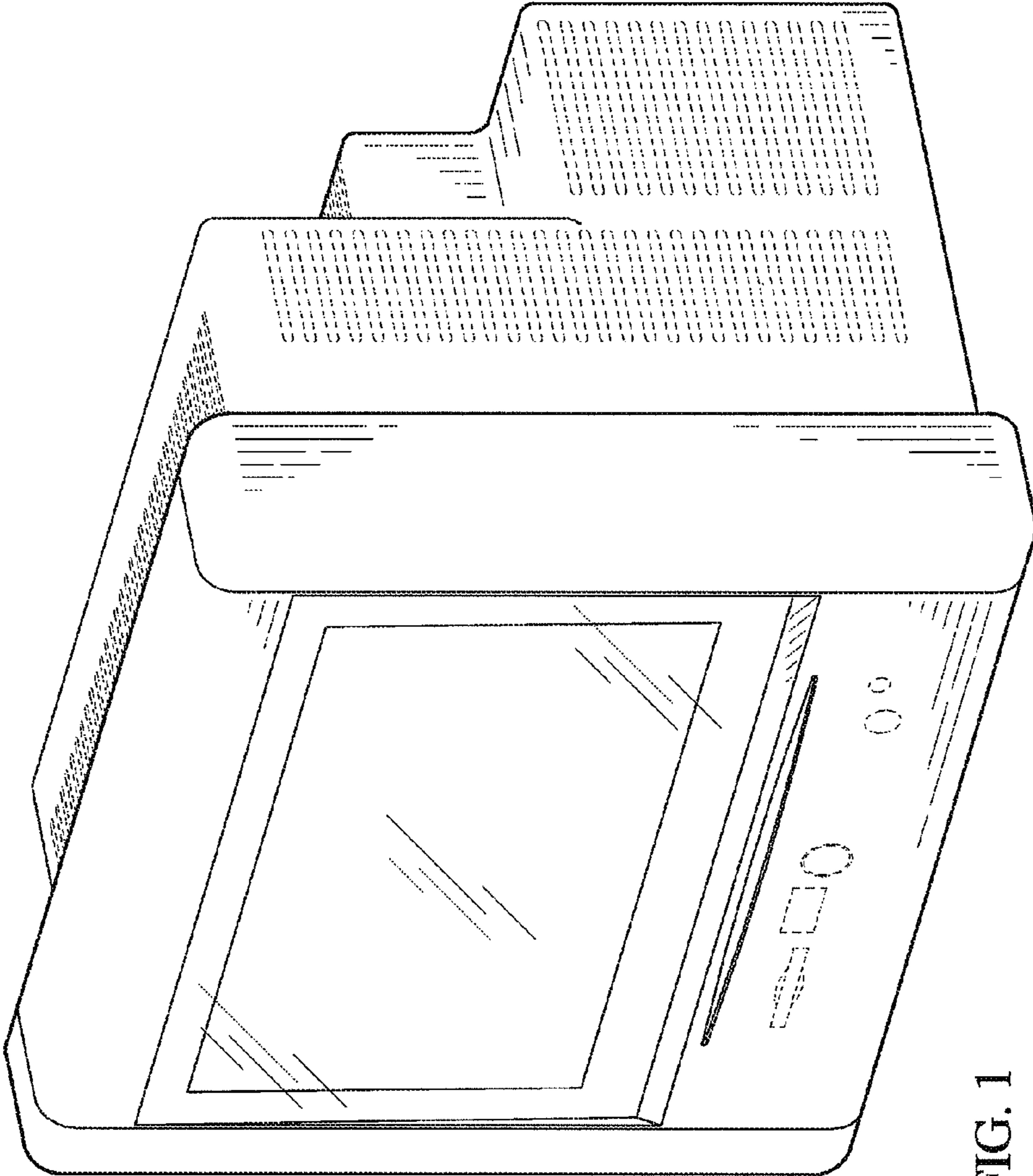


FIG. 1

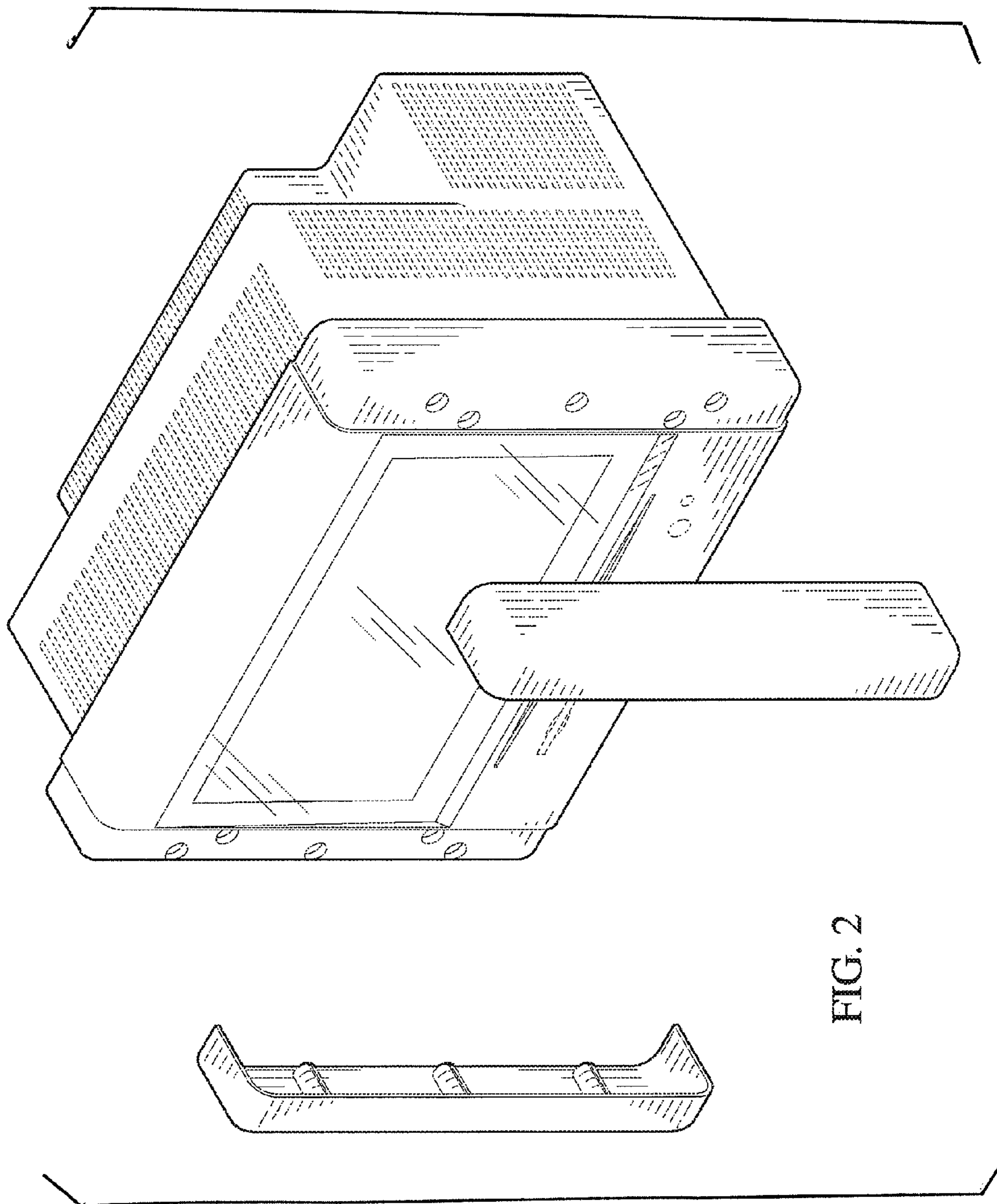


FIG. 2

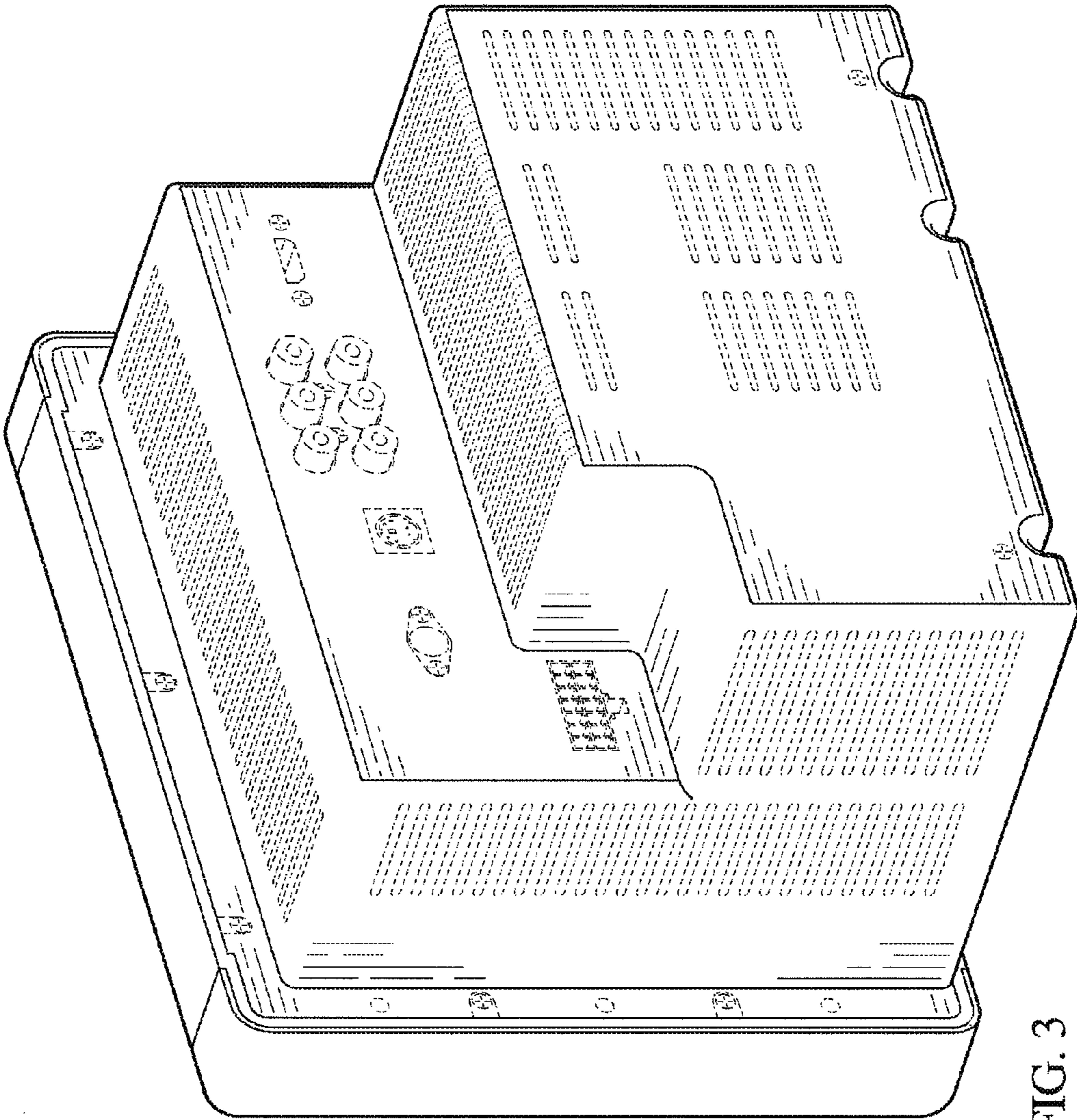


FIG. 3

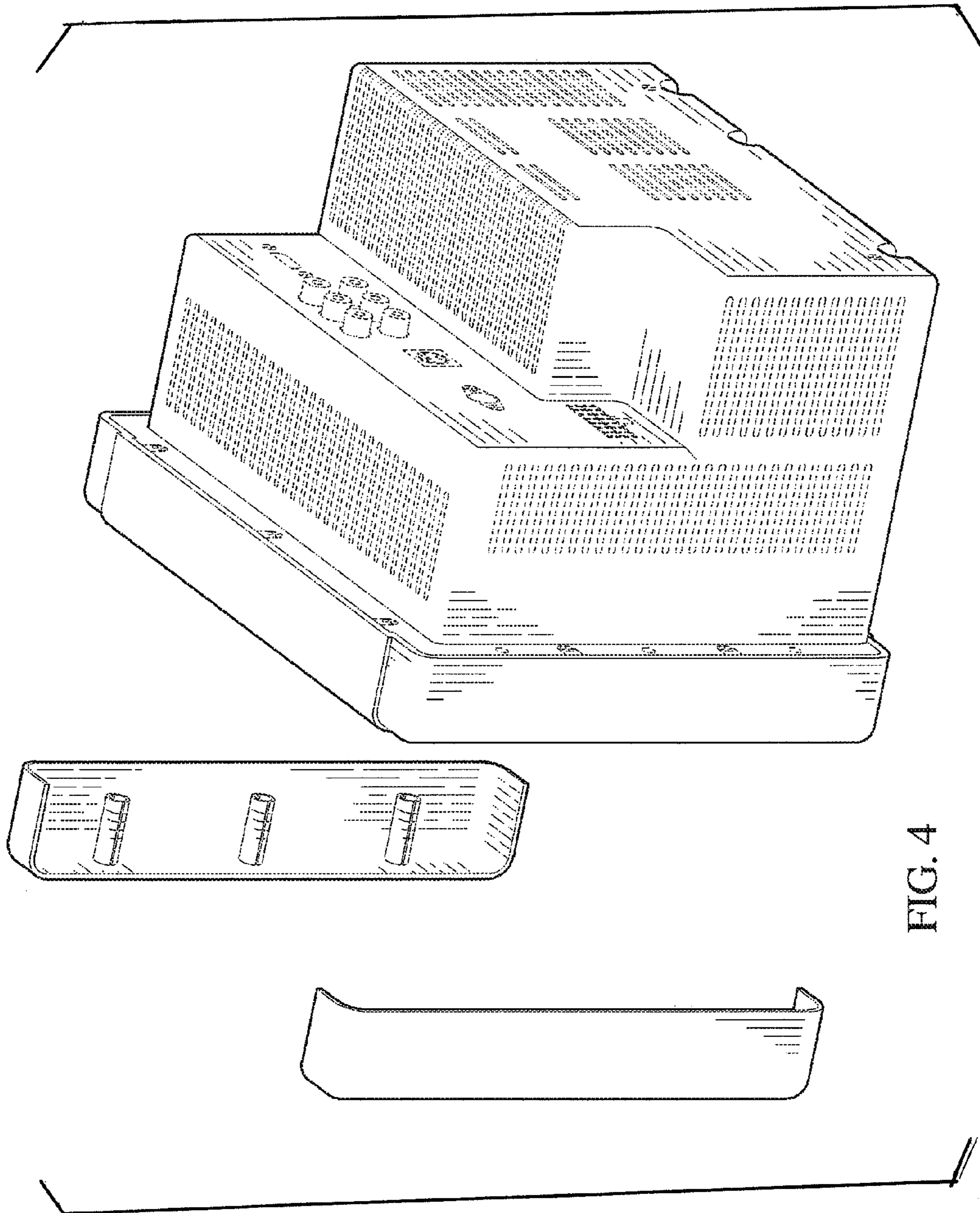


FIG. 4

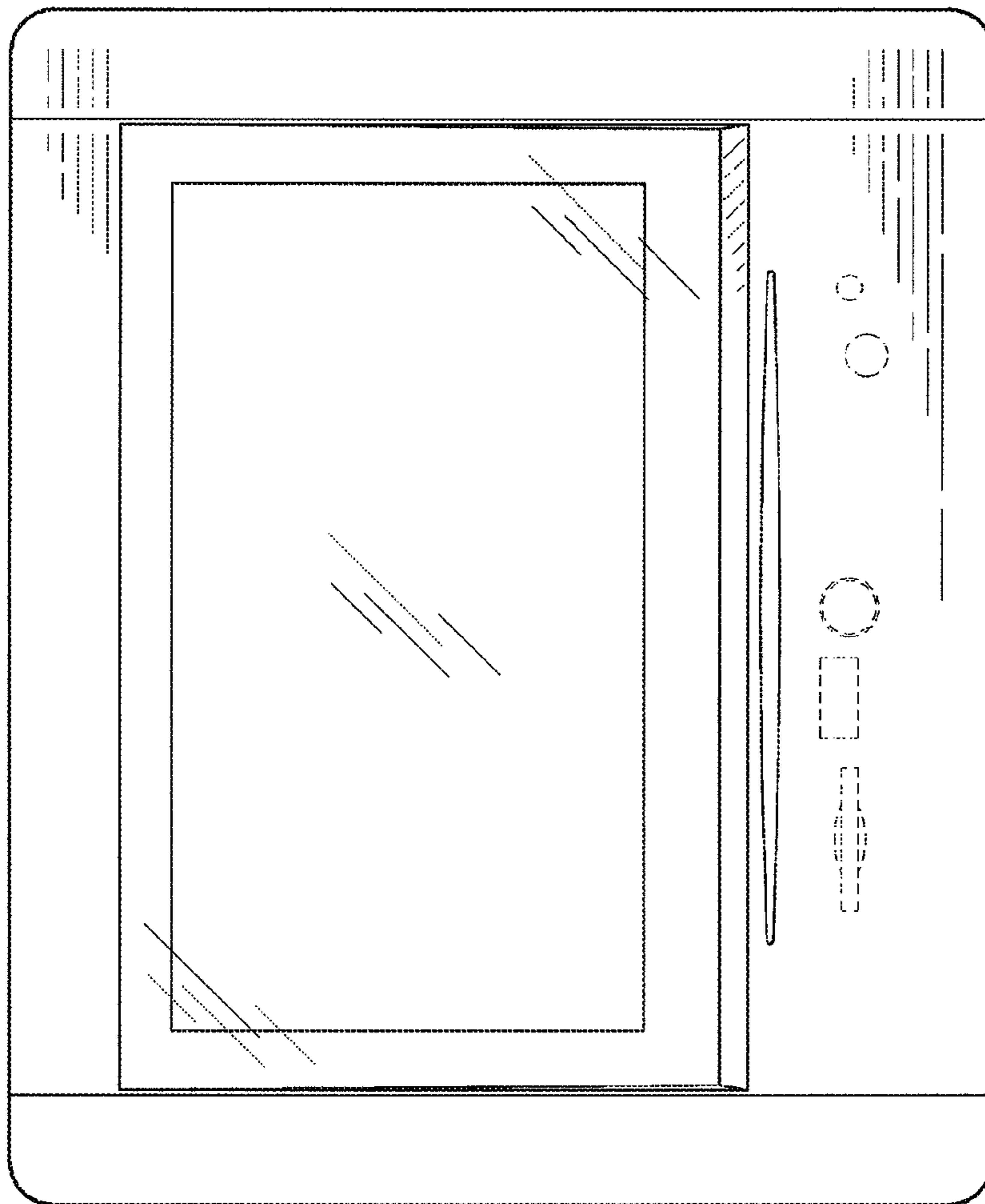


FIG. 5

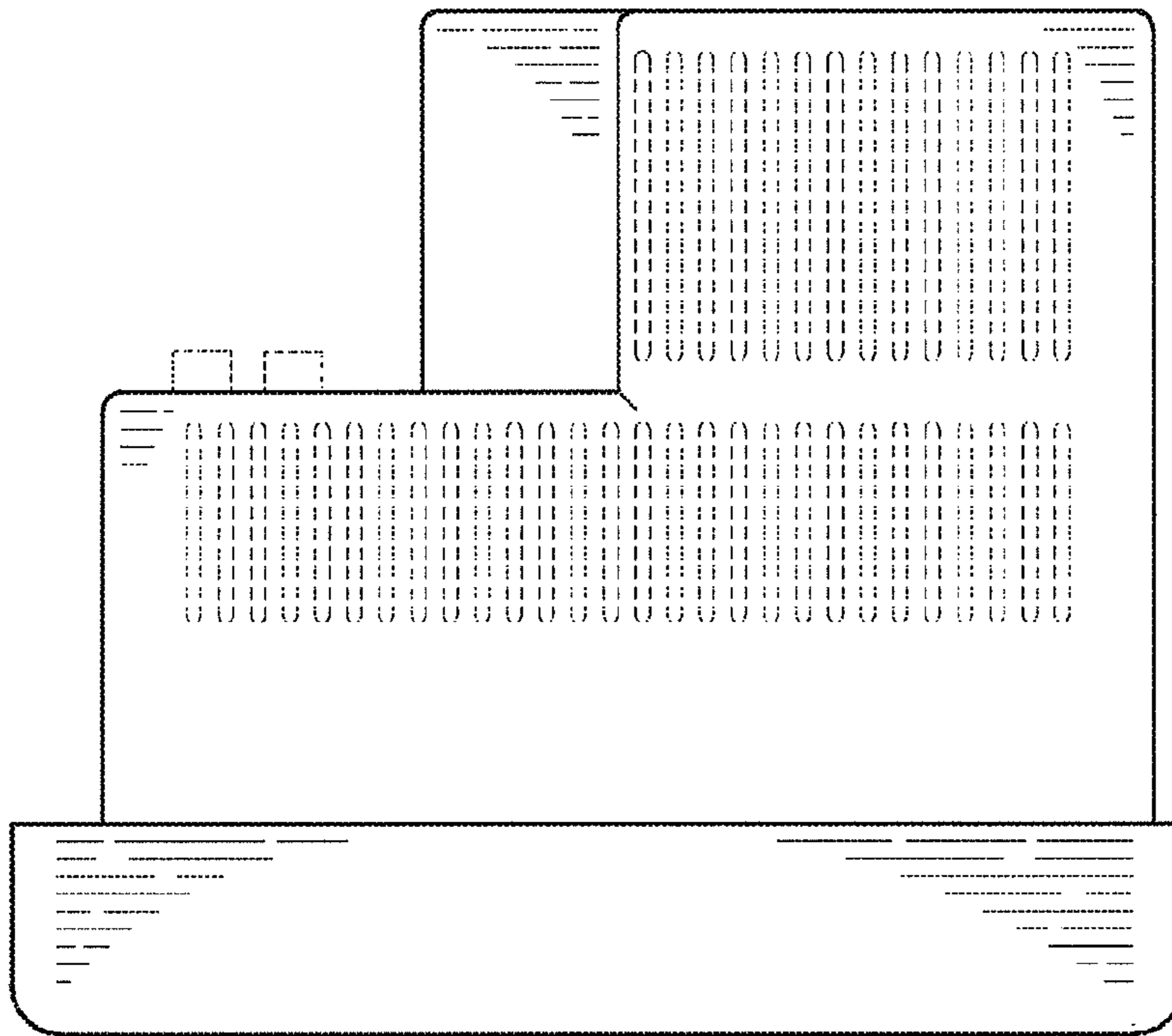


FIG. 6

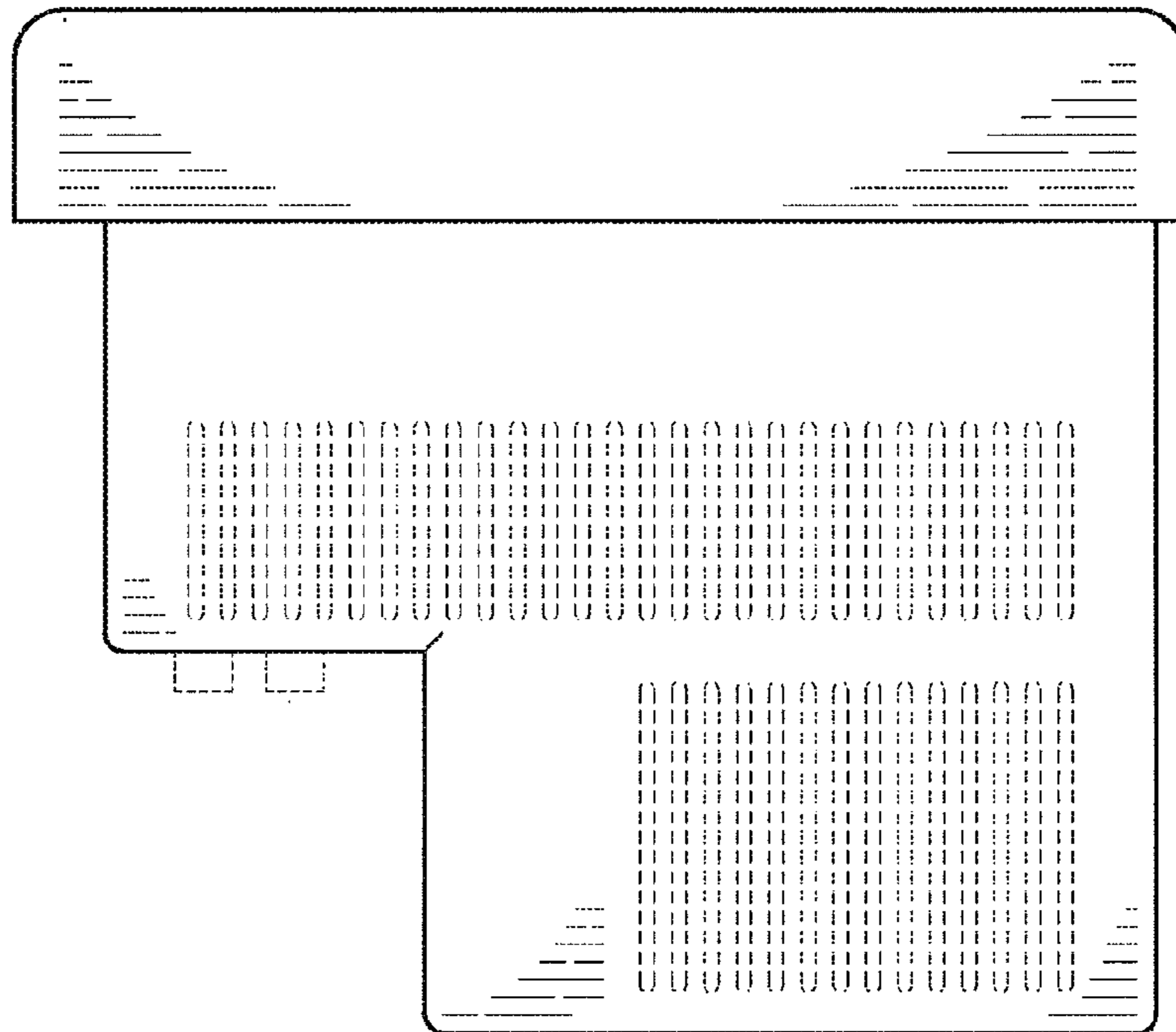


FIG. 7

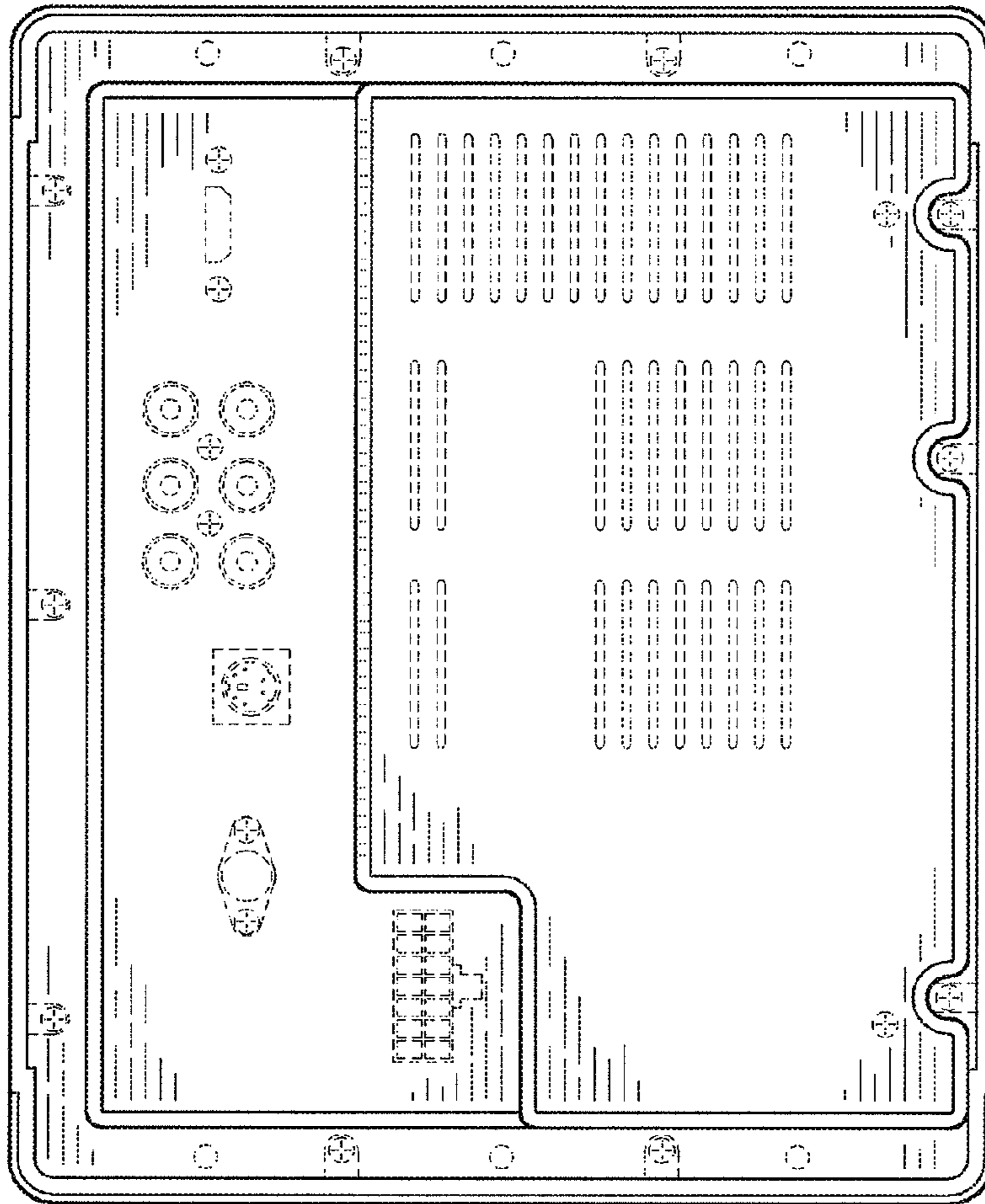


FIG. 8

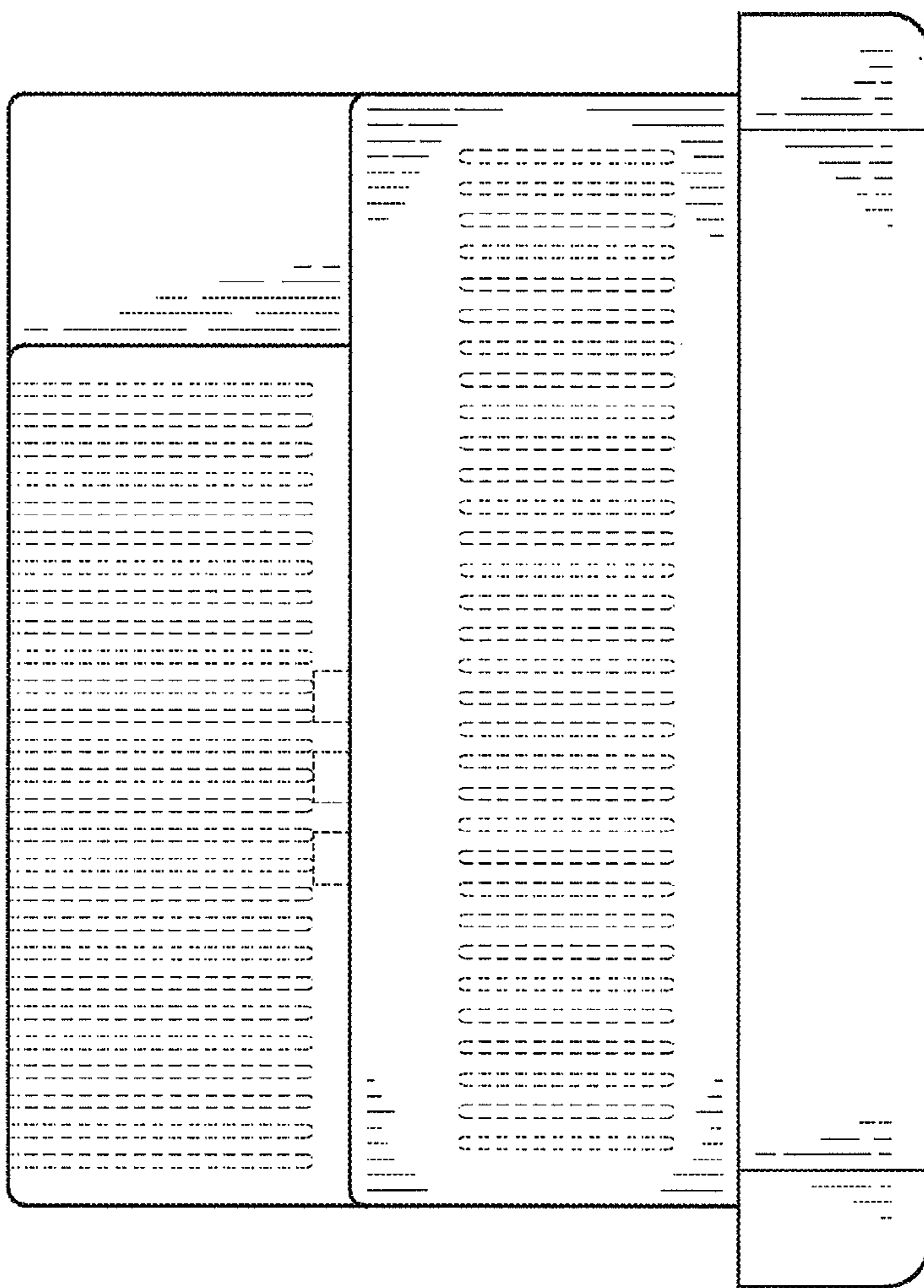


FIG. 9

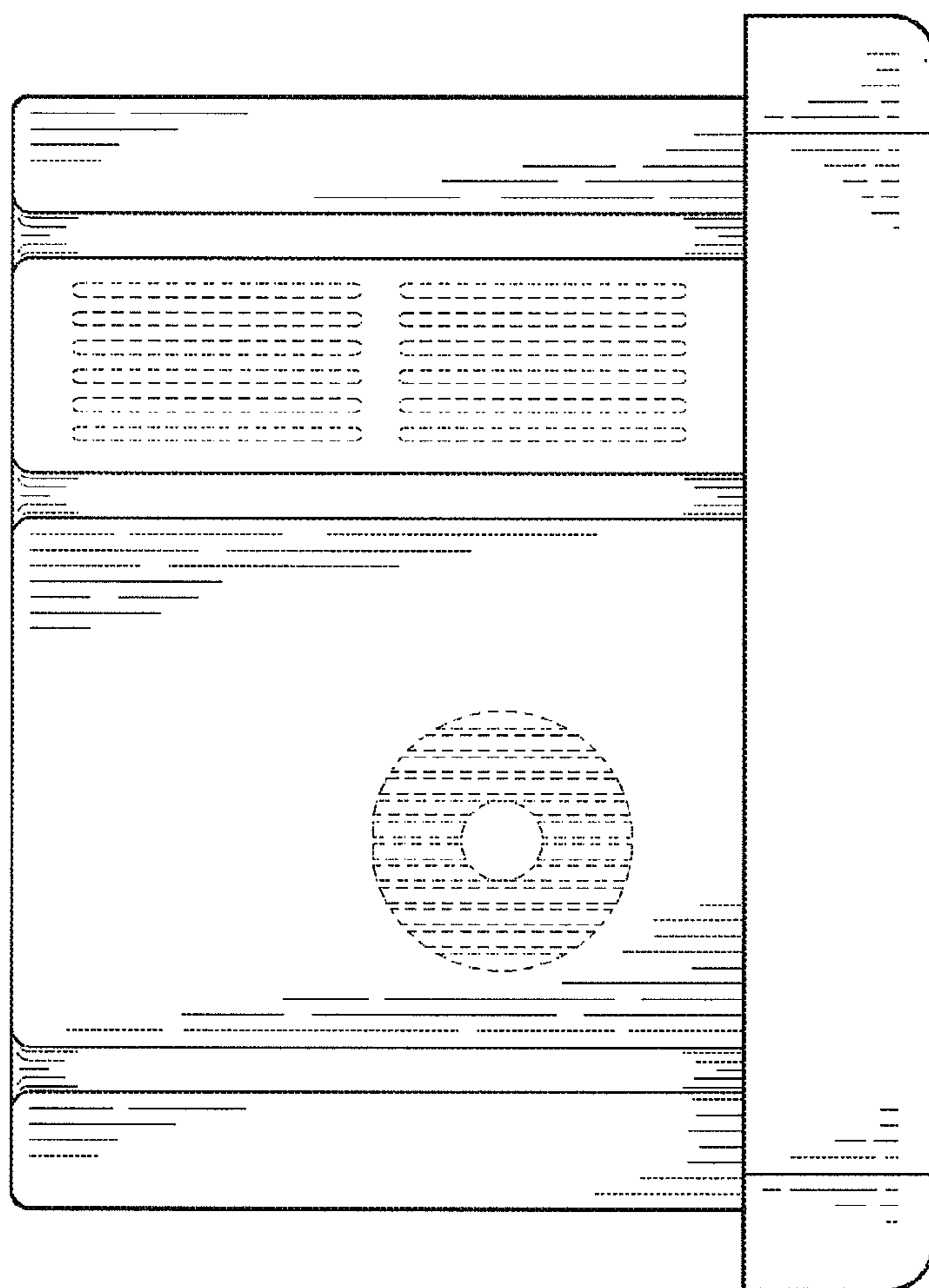


FIG. 10