



US00D700898S

(12) **United States Design Patent**  
**Min et al.**

(10) **Patent No.:** **US D700,898 S**  
(45) **Date of Patent:** **\*\* Mar. 11, 2014**

(54) **SOCKET MODULE FOR AN ELECTRONIC RELAY**

(71) Applicant: **Phoenix Contact GmbH & Co. KG**,  
Blomberg (DE)  
(72) Inventors: **Che Min**, Nanjing (CN); **Sun Degan**,  
Nanjing (CN); **Kay Lockstedt**, Hameln  
(DE); **Markus Becker**, Paderborn (DE)  
(73) Assignee: **Phoenix Contact GmbH & Co. KG**,  
Blomberg (DE)

(\*\*) Term: **14 Years**

(21) Appl. No.: **29/444,541**

(22) Filed: **Jan. 31, 2013**

(30) **Foreign Application Priority Data**  
Jul. 31, 2012 (EM) ..... 002081927  
(51) **LOC (10) Cl.** ..... **13-03**  
(52) **U.S. Cl.**  
USPC ..... **D13/159**  
(58) **Field of Classification Search**  
USPC ..... D13/110, 123, 146, 147, 151, 158-160,  
D13/184; 439/639, 271, 535, 652, 709,  
439/715-717, 736; 361/823, 686; D14/240,  
D14/433, 434, 356-358  
See application file for complete search history.

(56) **References Cited**

U.S. PATENT DOCUMENTS

D471,158	S	*	3/2003	Yano et al.	.....	D13/147
7,553,199	B2	*	6/2009	Correll	.....	439/715
D634,713	S	*	3/2011	Giordanino et al.	.....	D13/159
D638,371	S	*	5/2011	Giordanino et al.	.....	D13/159
D671,897	S	*	12/2012	Kettern et al.	.....	D13/149
2002/0132504	A1	*	9/2002	Mori et al.	.....	439/160

\* cited by examiner

*Primary Examiner* — Thomas Johannes

(74) *Attorney, Agent, or Firm* — Roberts Mlotkowski Safran  
& Cole, P.C.; David S. Safran

(57) **CLAIM**

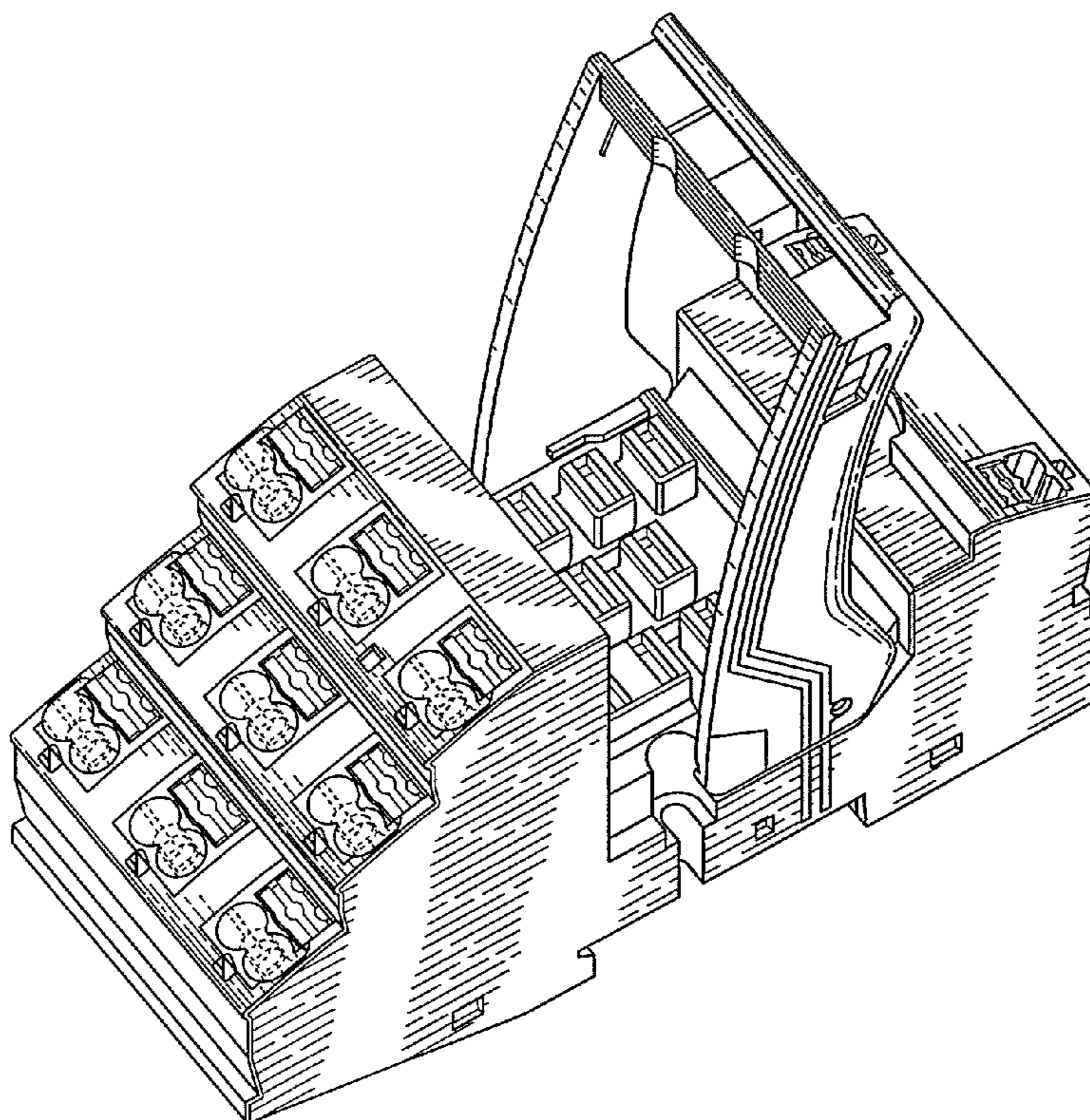
The ornamental design for a socket module for an electronic relay, as shown and described.

**DESCRIPTION**

FIG. 1 is a top front perspective view of a socket module for an electronic relay in accordance with our new design; FIG. 2 is a front elevation view thereof; FIG. 3 is a rear elevation view thereof; FIG. 4 is a right side elevation view thereof; FIG. 5 is a left side elevation view thereof; and, FIG. 6 is a top plan view thereof.

The broken line portion of the figure drawings is included to show unclaimed subject matter only and forms no part of the claimed design.

**1 Claim, 3 Drawing Sheets**



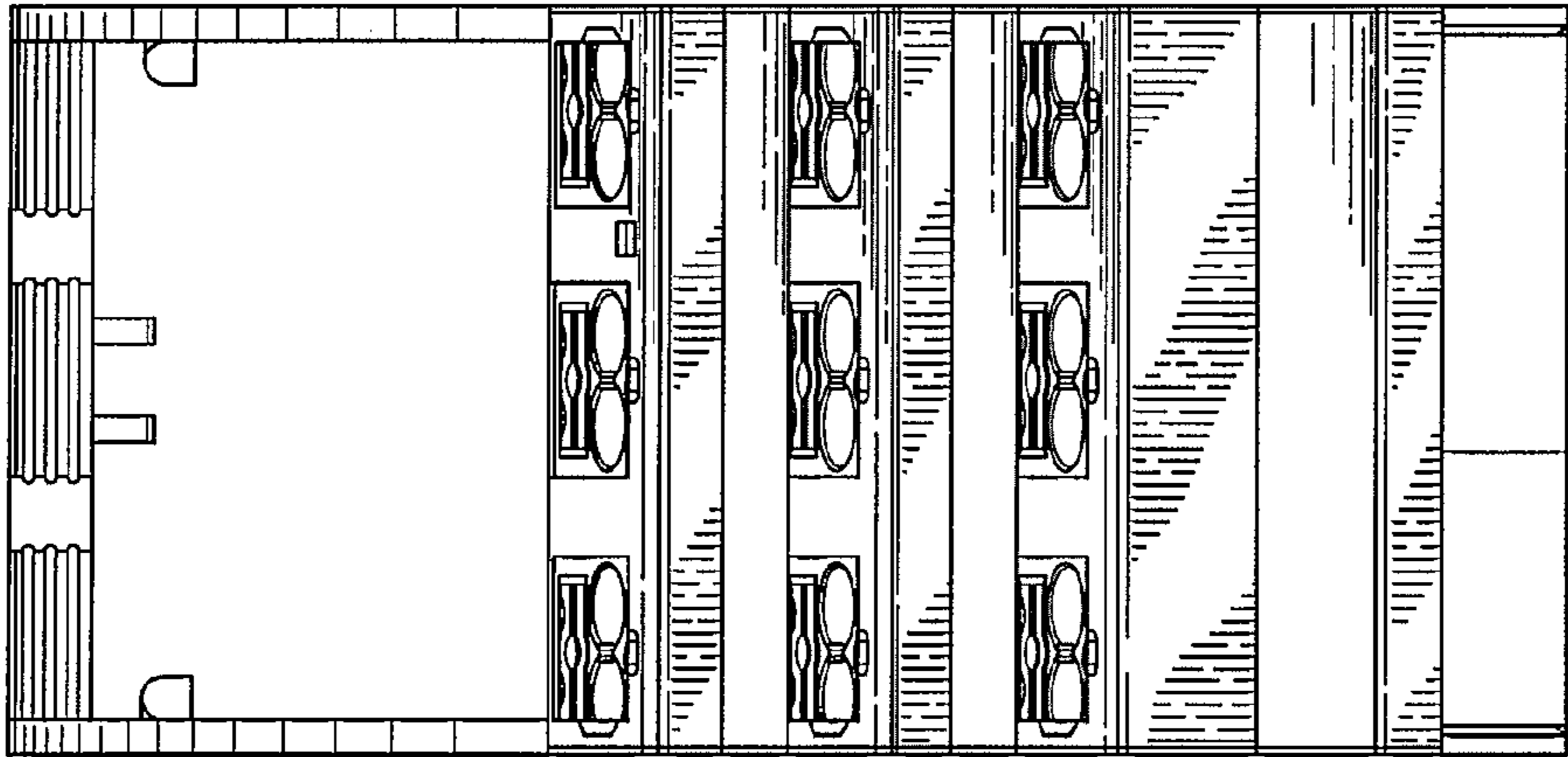


FIG. 2

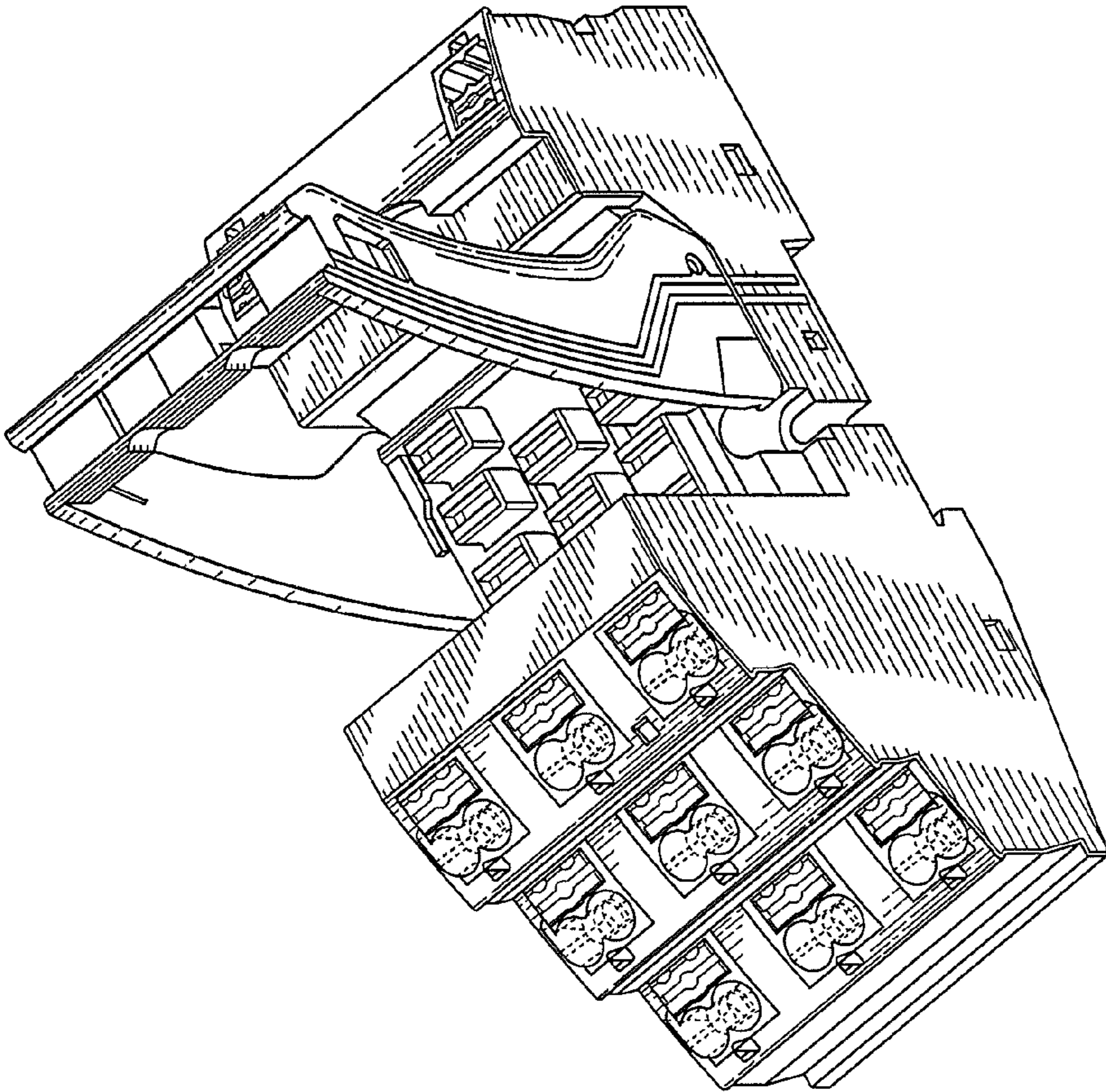


FIG. 1

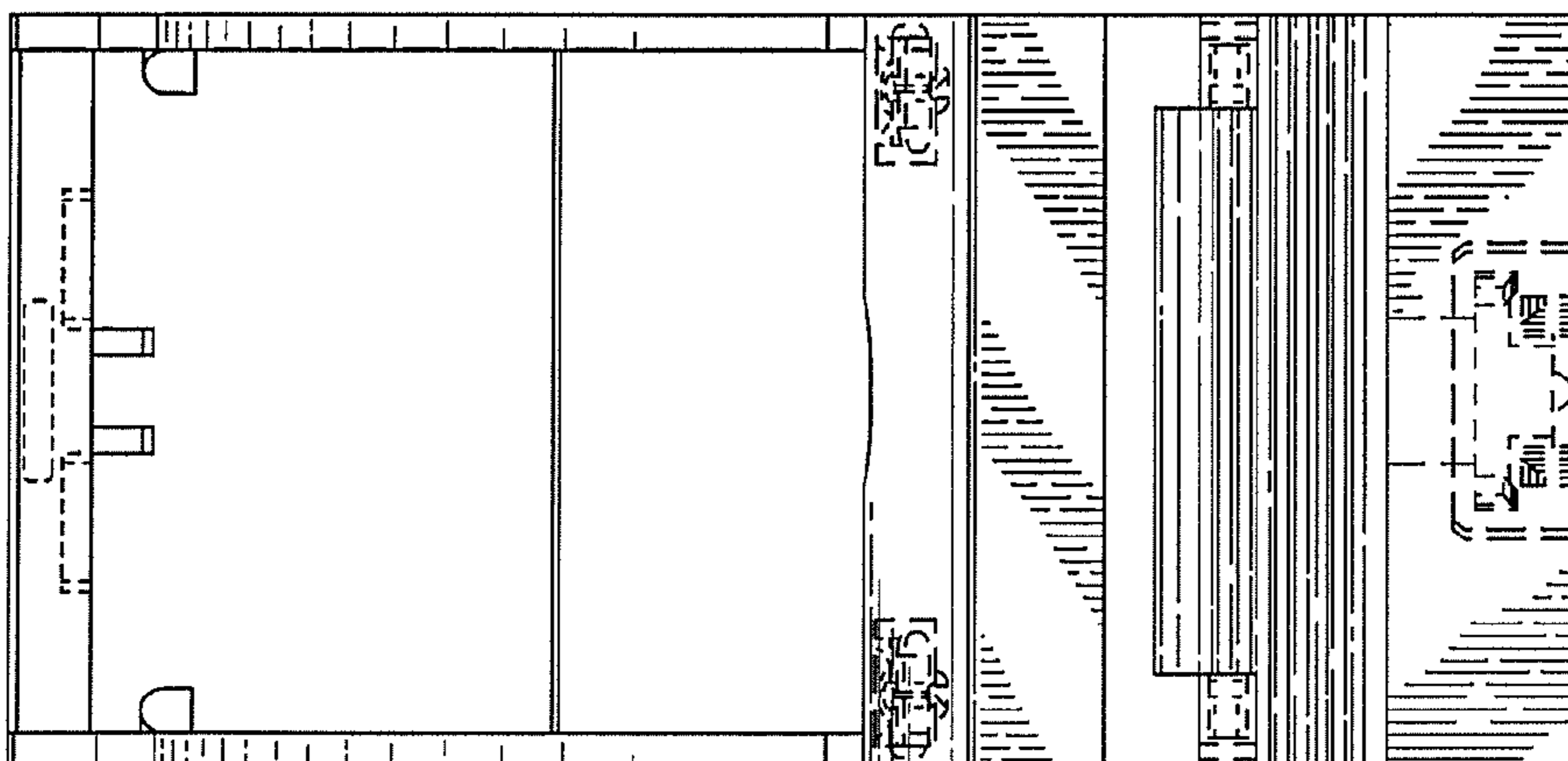


FIG. 3

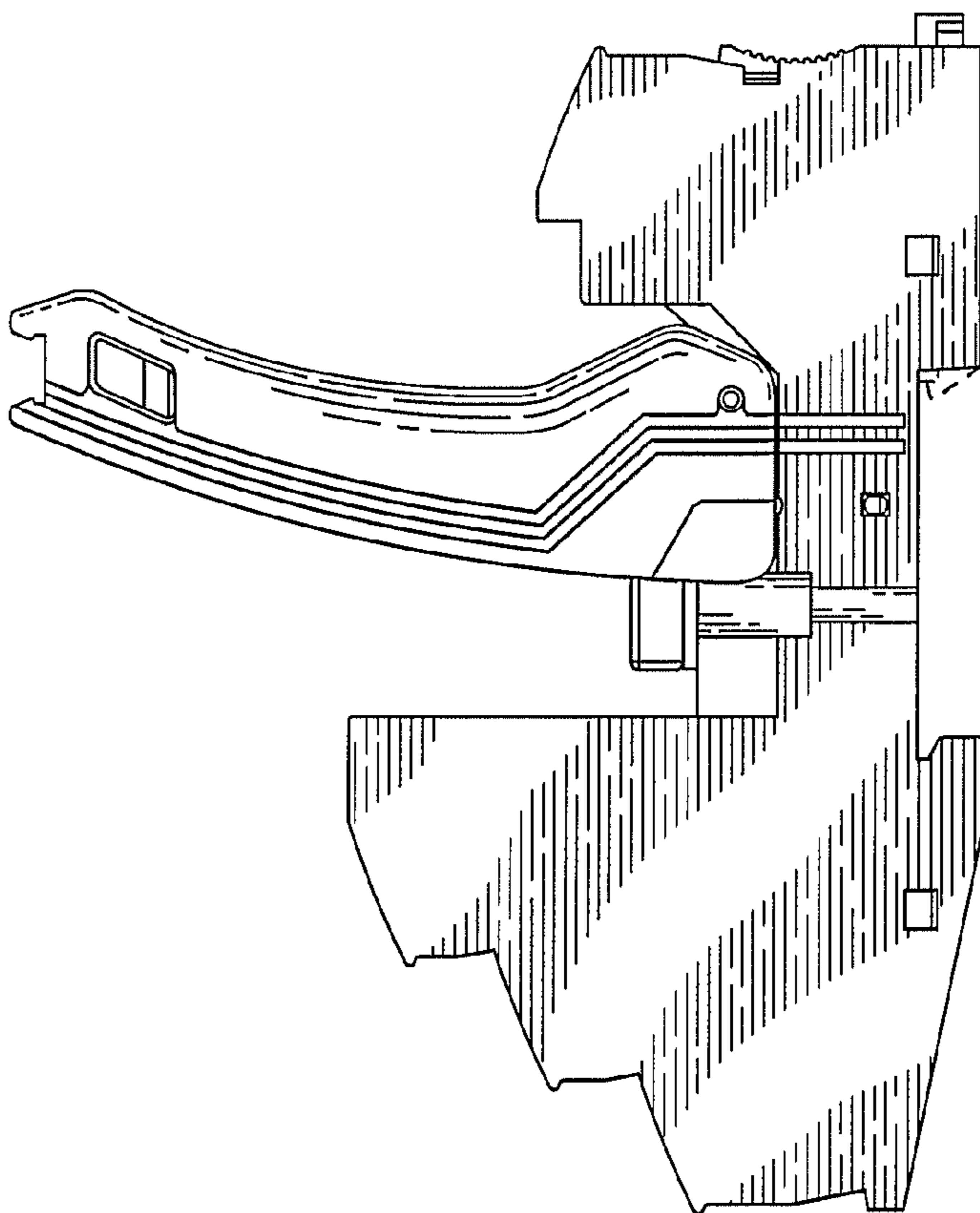


FIG. 4

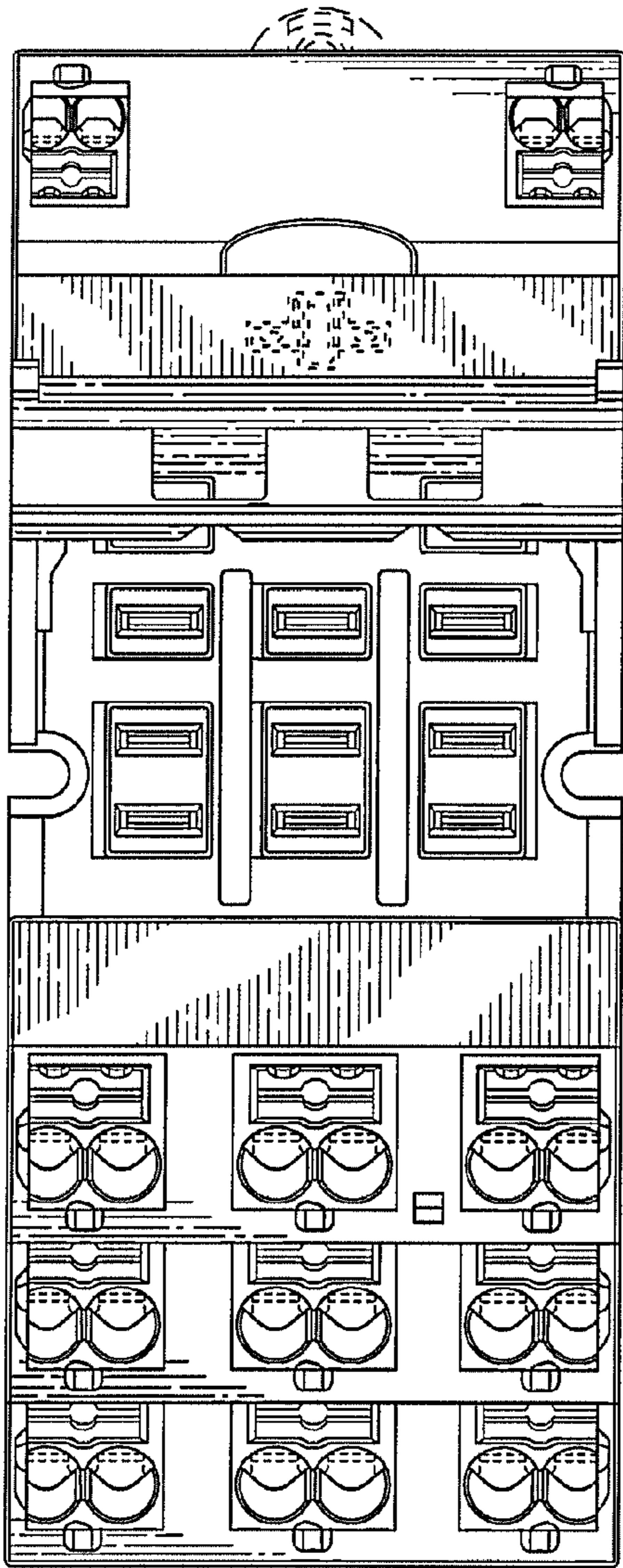


FIG. 6

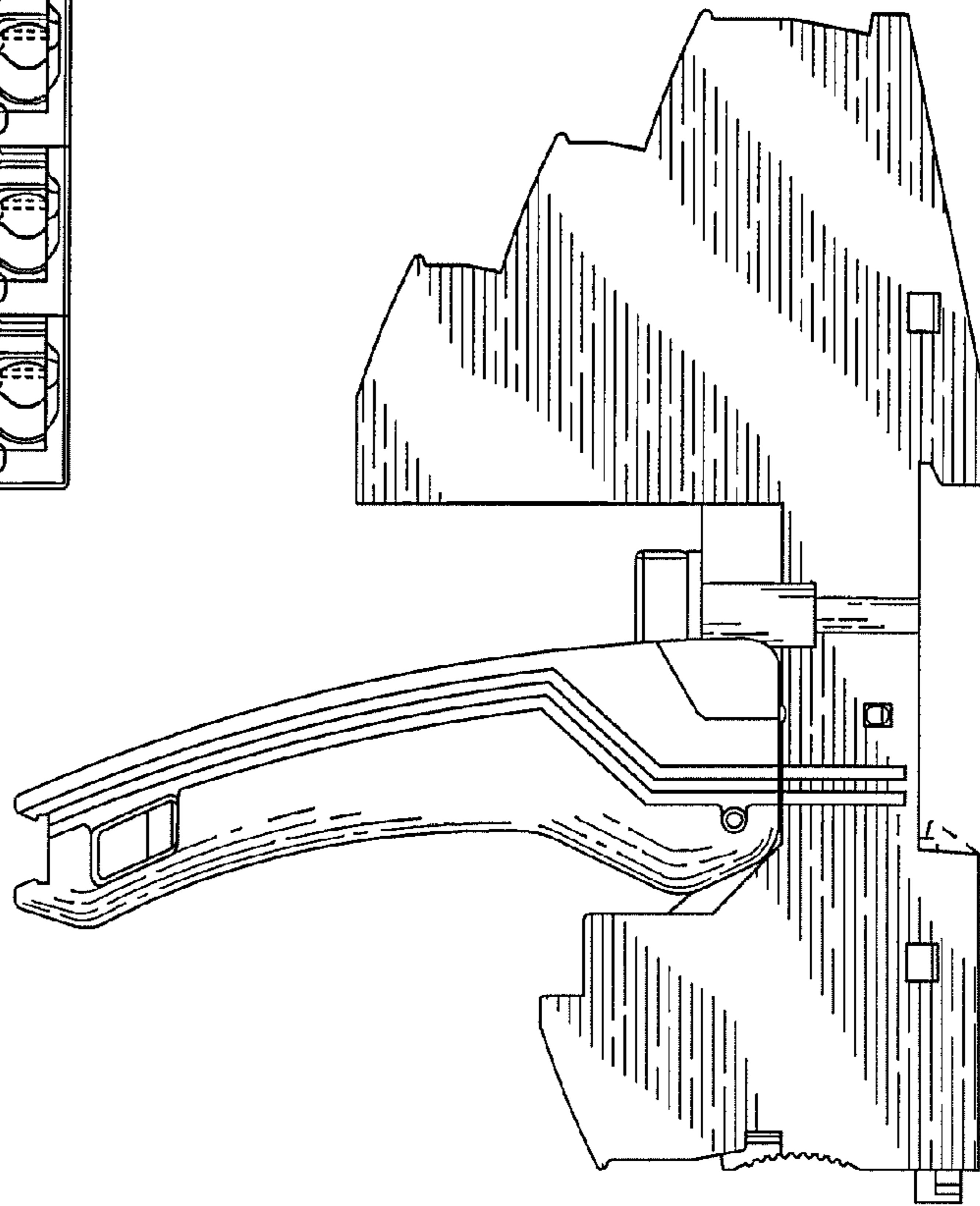


FIG. 5