



US00D700897S

(12) **United States Design Patent**
Min et al.

(10) **Patent No.:** **US D700,897 S**
(45) **Date of Patent:** **** Mar. 11, 2014**

(54) **SOCKET MODULE FOR AN ELECTRONIC RELAY**

(71) Applicant: **Phoenix Contact GmbH & Co. KG**,
Blomberg (DE)
(72) Inventors: **Che Min**, Nanjing (CN); **Sun Degan**,
Nanjing (CN); **Kay Lockstedt**, Hameln
(DE); **Markus Becker**, Paderborn (DE)
(73) Assignee: **Phoenix Contact GmbH & Co. KG**,
Blomberg (DE)

(**) Term: **14 Years**
(21) Appl. No.: **29/444,530**
(22) Filed: **Jan. 31, 2013**

(30) **Foreign Application Priority Data**
Jul. 31, 2012 (EM) 002081927
(51) **LOC (10) Cl.** **13-03**
(52) **U.S. Cl.**
USPC **D13/159**
(58) **Field of Classification Search**
USPC D13/110, 123, 146, 147, 151, 158-160,
D13/184; 439/639, 271, 535, 652, 709,
439/715-717, 736; 361/823, 686; D14/240,
D14/433, 434, 356-358
See application file for complete search history.

(56) **References Cited**

U.S. PATENT DOCUMENTS

6,181,566 B1 * 1/2001 Feye-Hohmann 361/759
7,658,639 B2 * 2/2010 Hoppmann 439/409
D626,516 S * 11/2010 Hakemeyer et al. D13/158
D638,804 S * 5/2011 Giordanino et al. D13/159

* cited by examiner

Primary Examiner — Thomas Johannes

(74) *Attorney, Agent, or Firm* — Roberts Mlotkowski Safran
& Cole, P.C.; David S. Safran

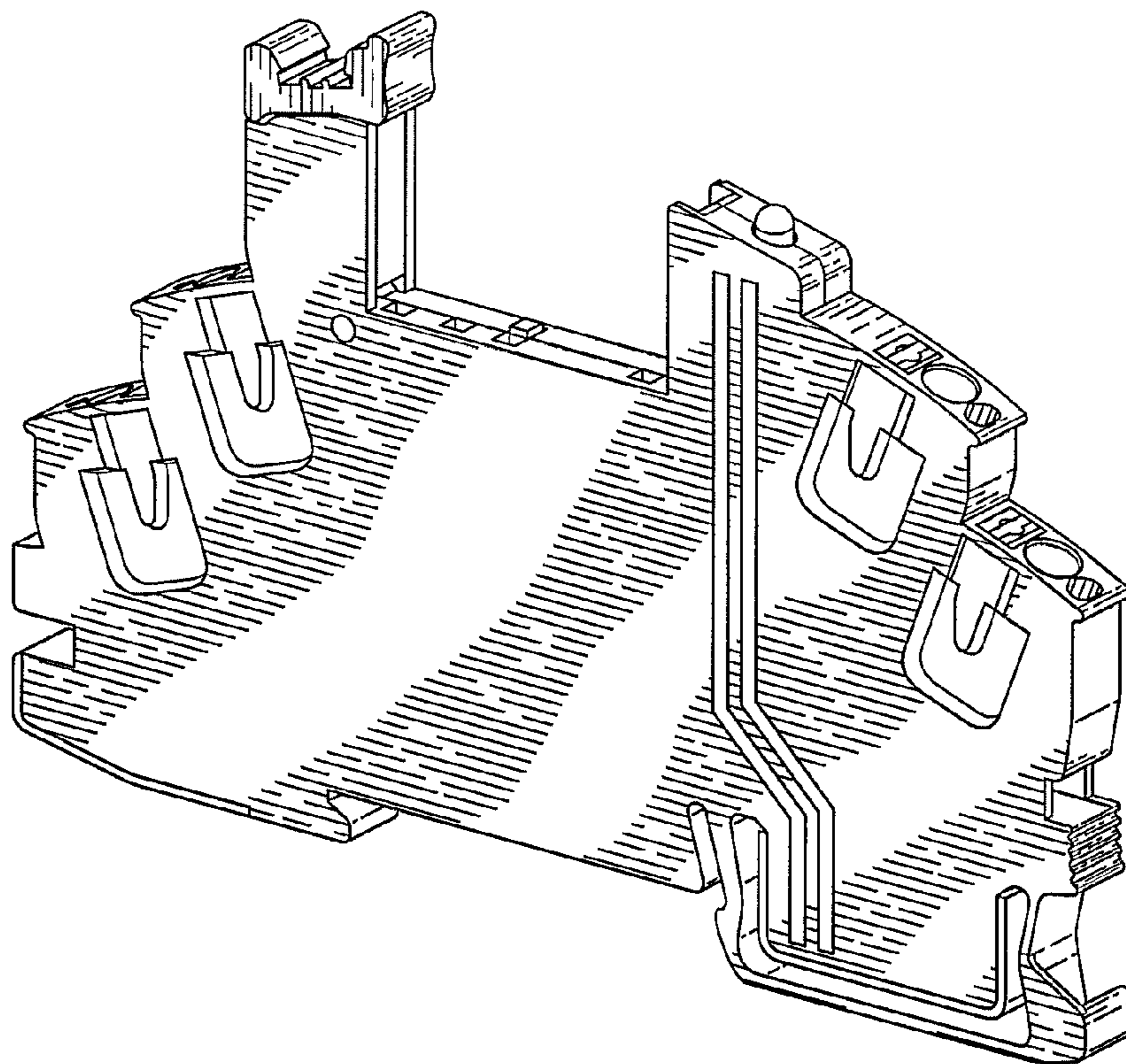
(57) **CLAIM**

The ornamental design for a socket module for an electronic relay, as shown and described.

DESCRIPTION

FIG. 1 is a perspective view of a socket module for an electronic relay in accordance with our new design; FIG. 2 is a front elevation view thereof; FIG. 3 is a rear elevation view thereof; FIG. 4 is a right side elevation view thereof; FIG. 5 is a left side elevation view thereof; and, FIG. 6 is a top plan view thereof. The broken line portion of the figure drawings is included to show unclaimed subject matter only and forms no part of the claimed design.

1 Claim, 3 Drawing Sheets



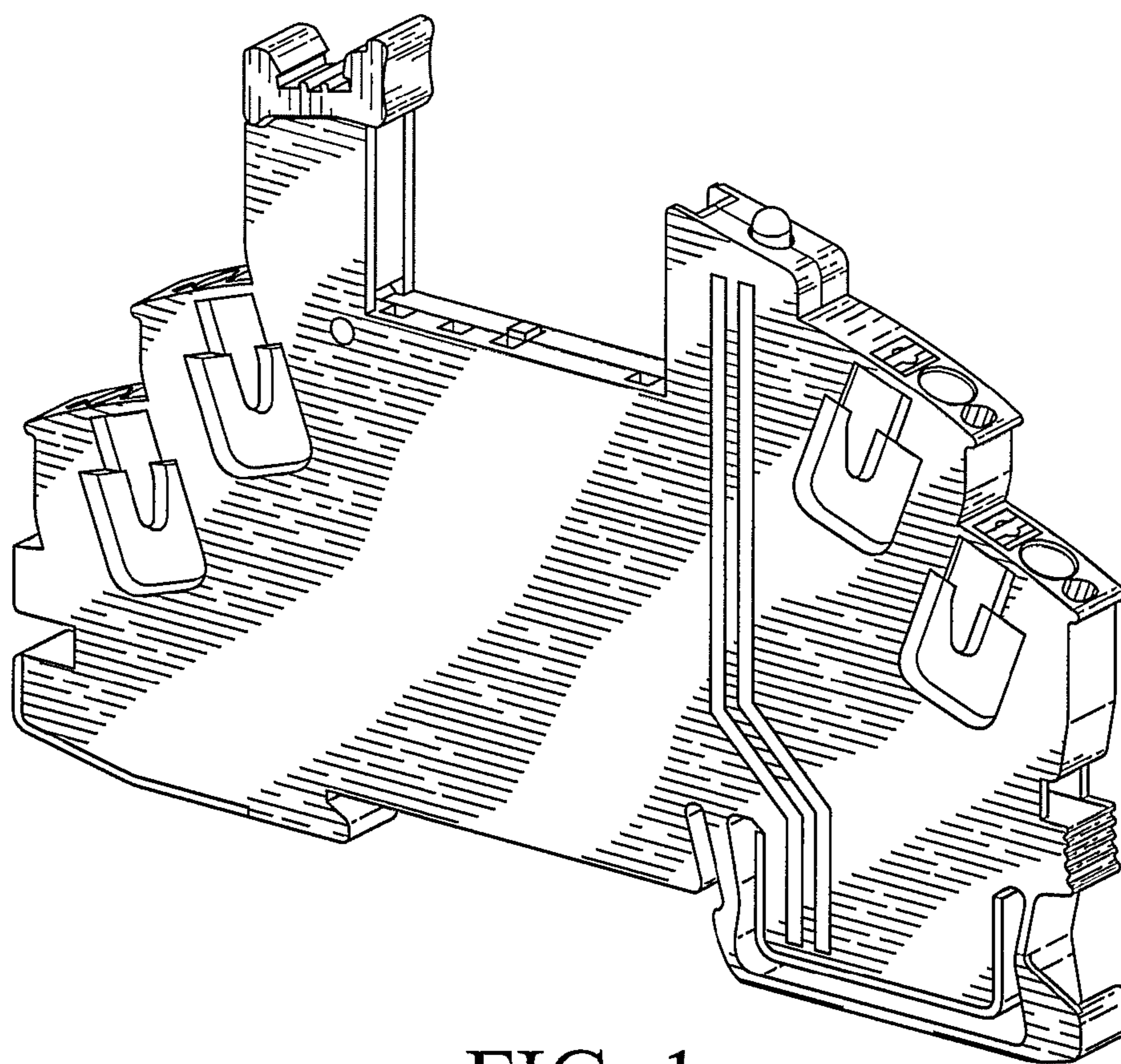


FIG. 1

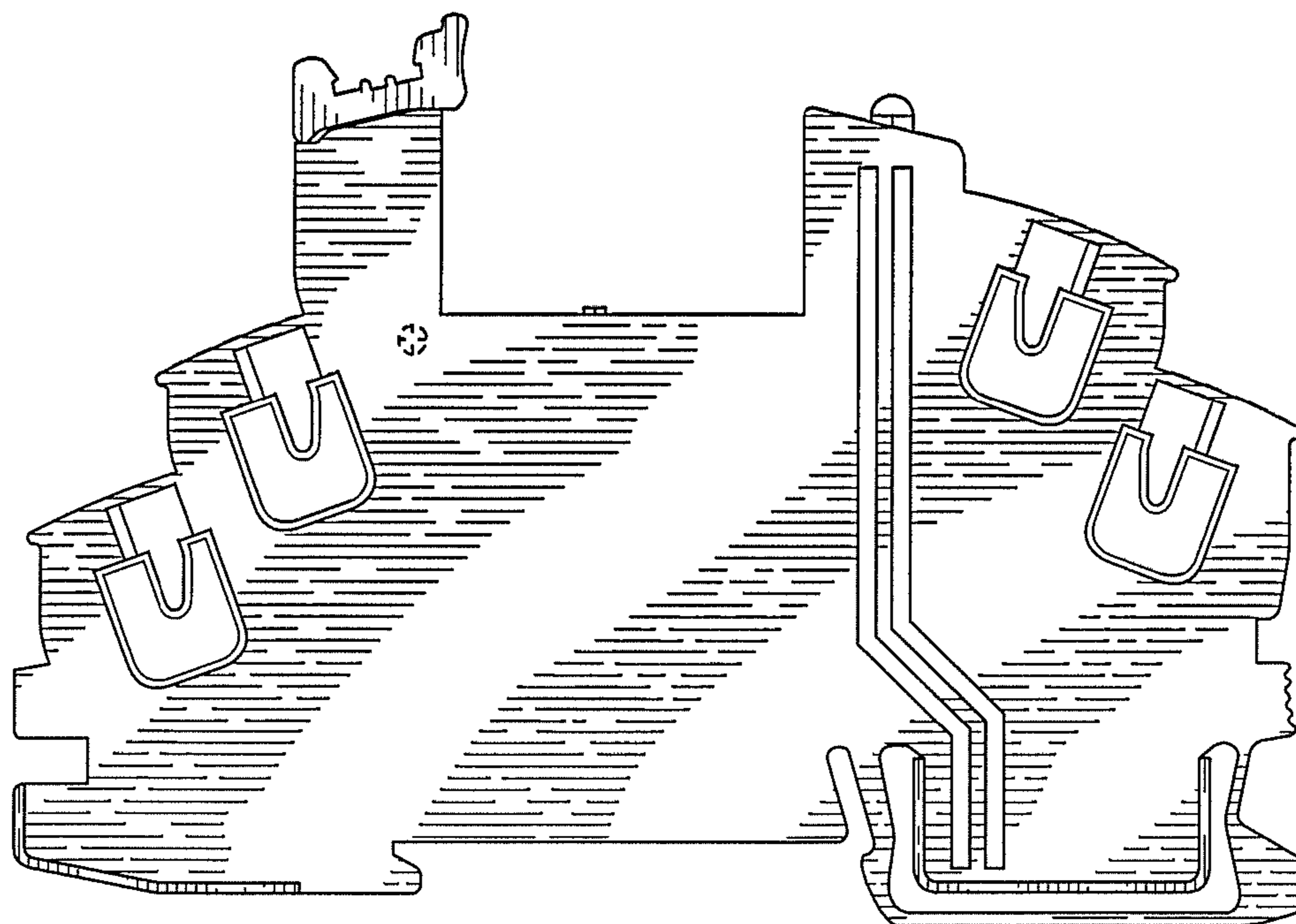


FIG. 2

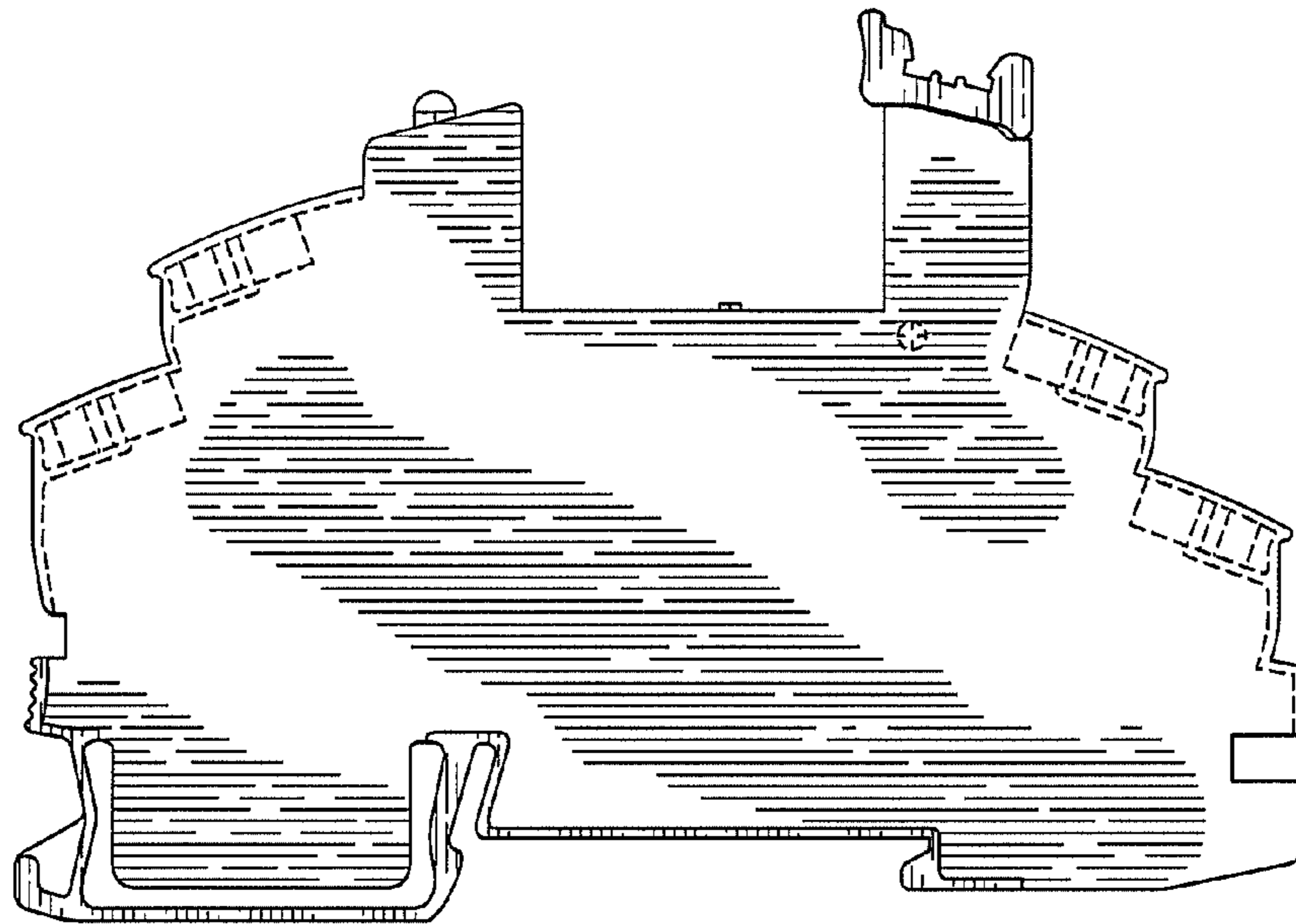


FIG. 3

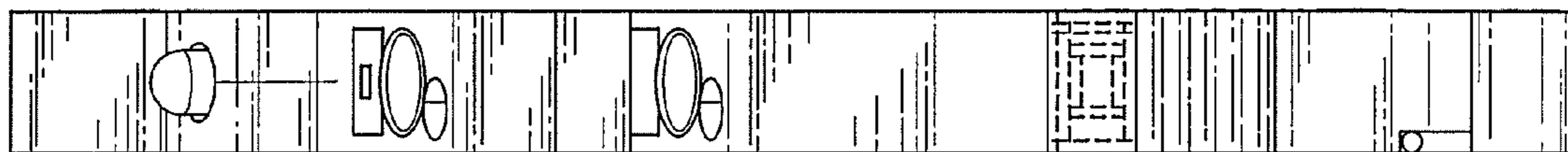


FIG. 4



FIG. 5

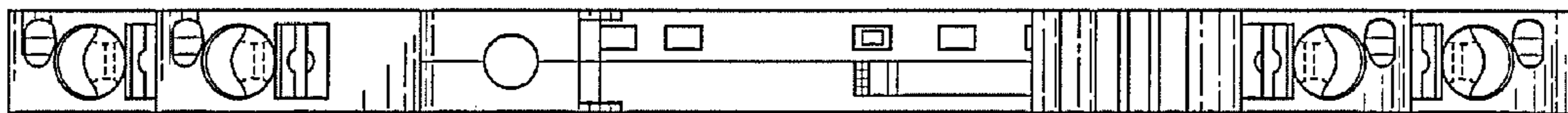


FIG. 6