



US00D700896S

(12) **United States Design Patent**
Shimamoto et al.

(10) **Patent No.:** **US D700,896 S**
(45) **Date of Patent:** **** Mar. 11, 2014**

(54) **HEAT MEDIUM RELAY UNIT**

(56) **References Cited**

(75) Inventors: **Daisuke Shimamoto**, Chiyoda-ku (JP);
Osamu Morimoto, Chiyoda-ku (JP);
Yuji Motomura, Chiyoda-ku (JP);
Takayoshi Honda, Chiyoda-ku (JP);
Koji Azuma, Chiyoda-ku (JP); **Koji**
Nishioka, Chiyoda-ku (JP)

U.S. PATENT DOCUMENTS

D389,801 S *	1/1998	Foye	D13/147
D396,695 S *	8/1998	Shen	D13/147
D405,092 S *	2/1999	Ohshima et al.	D14/239
D412,489 S *	8/1999	Middlehurst et al.	D13/147
D421,965 S *	3/2000	Johnston et al.	D13/147
D460,418 S *	7/2002	Han	D13/147
D607,413 S *	1/2010	Egan et al.	D13/151
D607,414 S *	1/2010	Egan et al.	D13/151
D613,251 S *	4/2010	Walker et al.	D13/147
D639,249 S *	6/2011	Walker et al.	D13/154

(73) Assignee: **Mitsubishi Electric Corporation**,
Tokyo (JP)

(**) Term: **14 Years**

* cited by examiner

Primary Examiner — Thomas Johannes

(21) Appl. No.: **29/426,046**

(74) *Attorney, Agent, or Firm* — Sughrue Mion, PLLC

(22) Filed: **Jun. 29, 2012**

(57) **CLAIM**

The ornamental design for a heat medium relay unit, as shown and described.

(30) **Foreign Application Priority Data**

DESCRIPTION

Jan. 27, 2012 (JP) 2012-001561
Jan. 27, 2012 (JP) 2012-001562

FIG. 1 is a front, top and right side perspective view of a heat medium relay unit, showing our new design;
FIG. 2 is a rear, top and left side perspective view thereof;
FIG. 3 is a front elevational view thereof;
FIG. 4 is a rear elevational view thereof;
FIG. 5 is a left side elevational view thereof;
FIG. 6 is a right side elevational view thereof;
FIG. 7 is a top plan view thereof; and,
FIG. 8 is a bottom plan view thereof.

(51) **LOC (10) Cl.** **13-03**

(52) **U.S. Cl.**
USPC **D13/159**

(58) **Field of Classification Search**
USPC D13/146-147, 154, 184; 439/532, 536,
439/540.1, 541.5, 613, 614, 884, 894, 954,
439/559

See application file for complete search history.

1 Claim, 6 Drawing Sheets

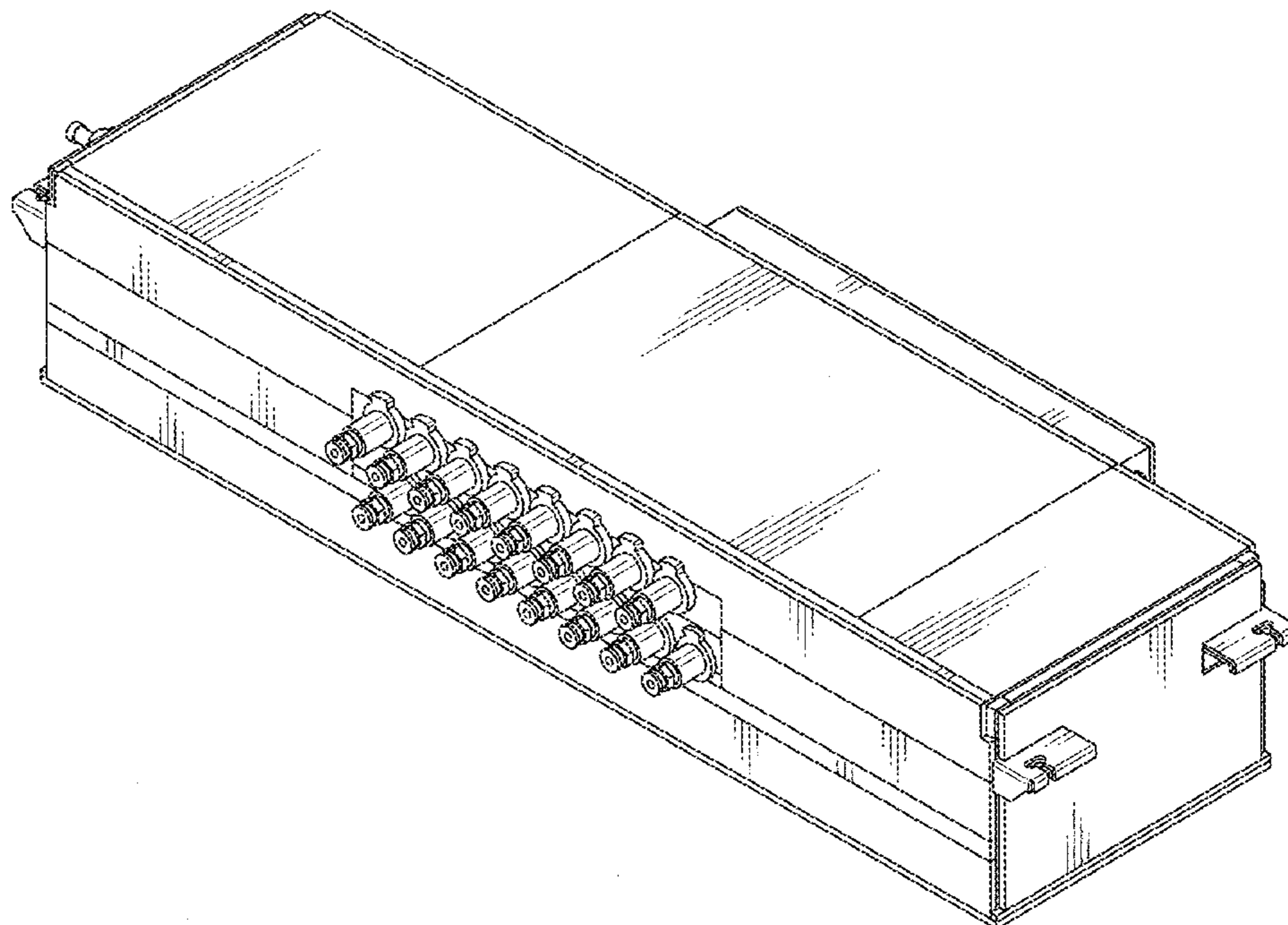


Fig. 1

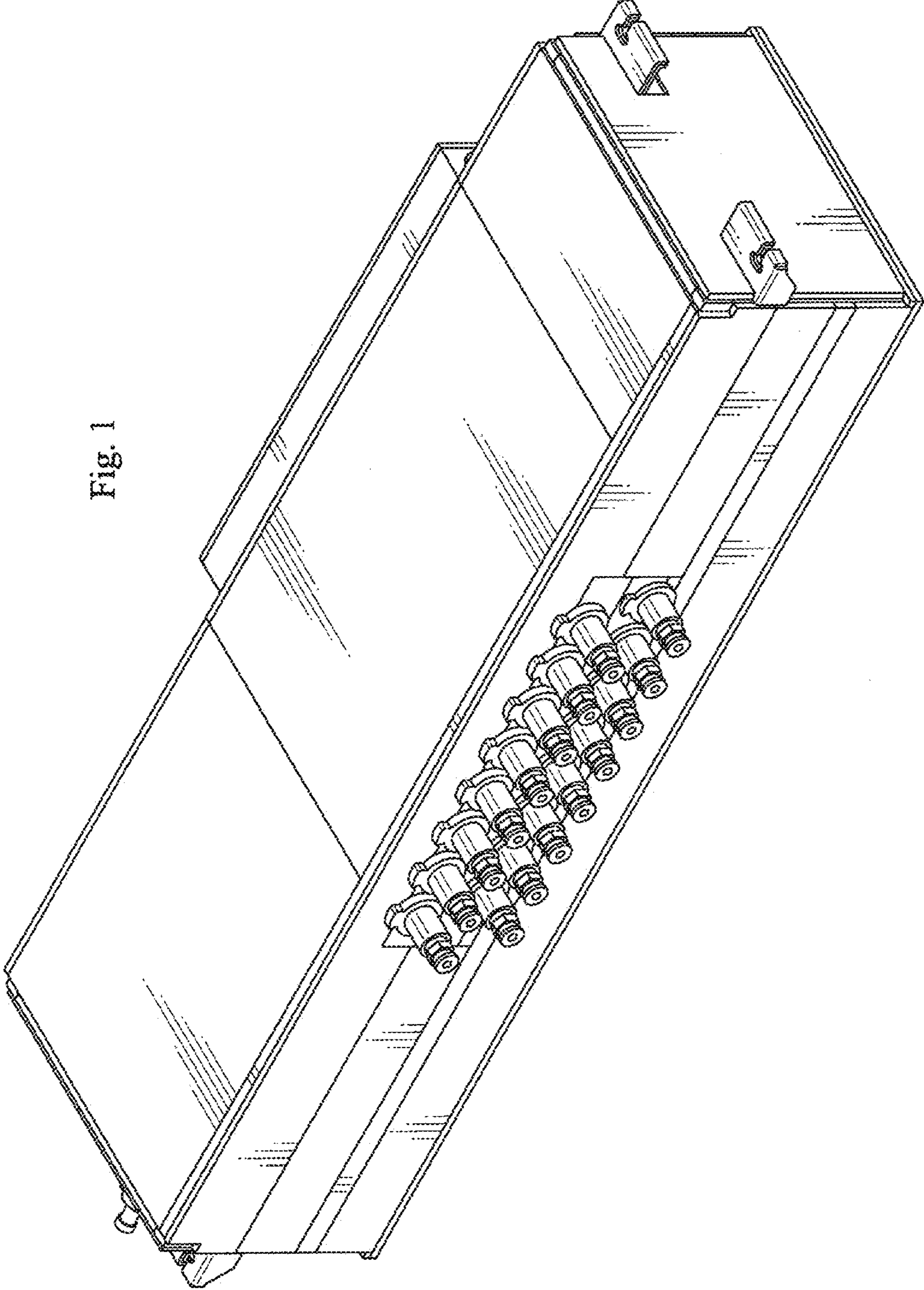


Fig. 2

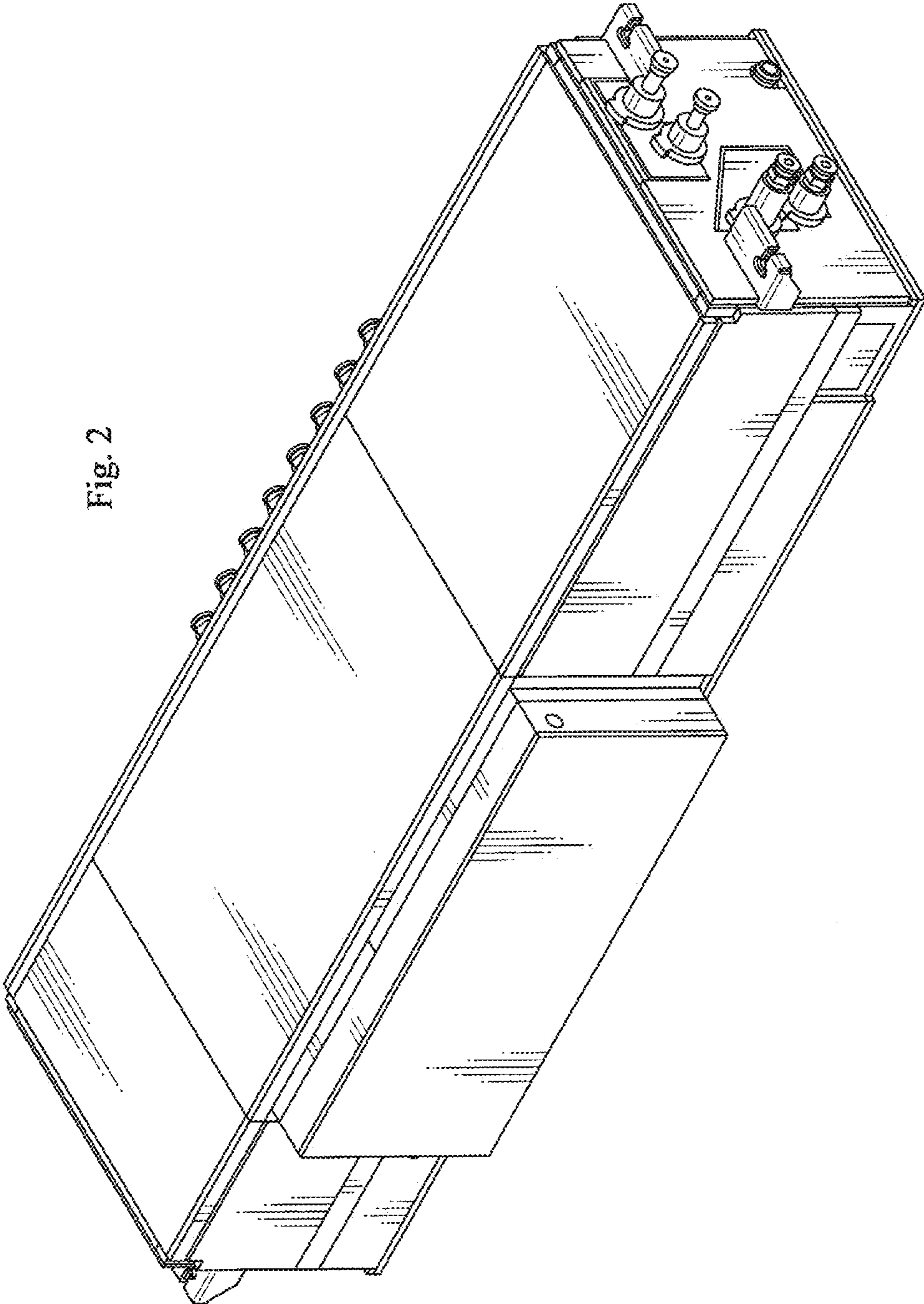


Fig. 3

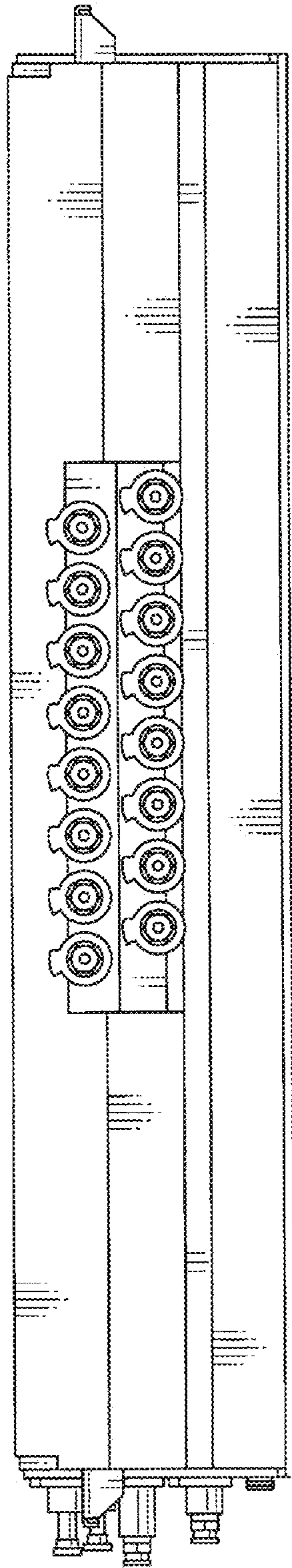


Fig. 4

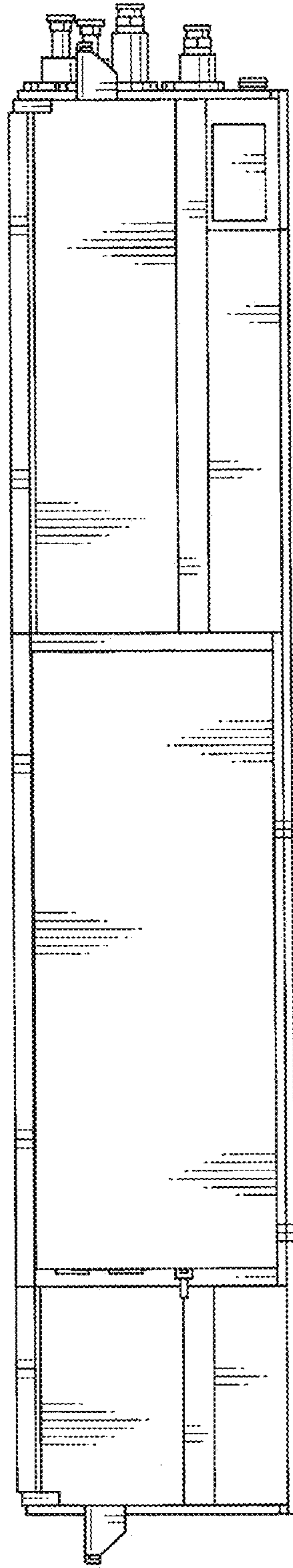


Fig. 6

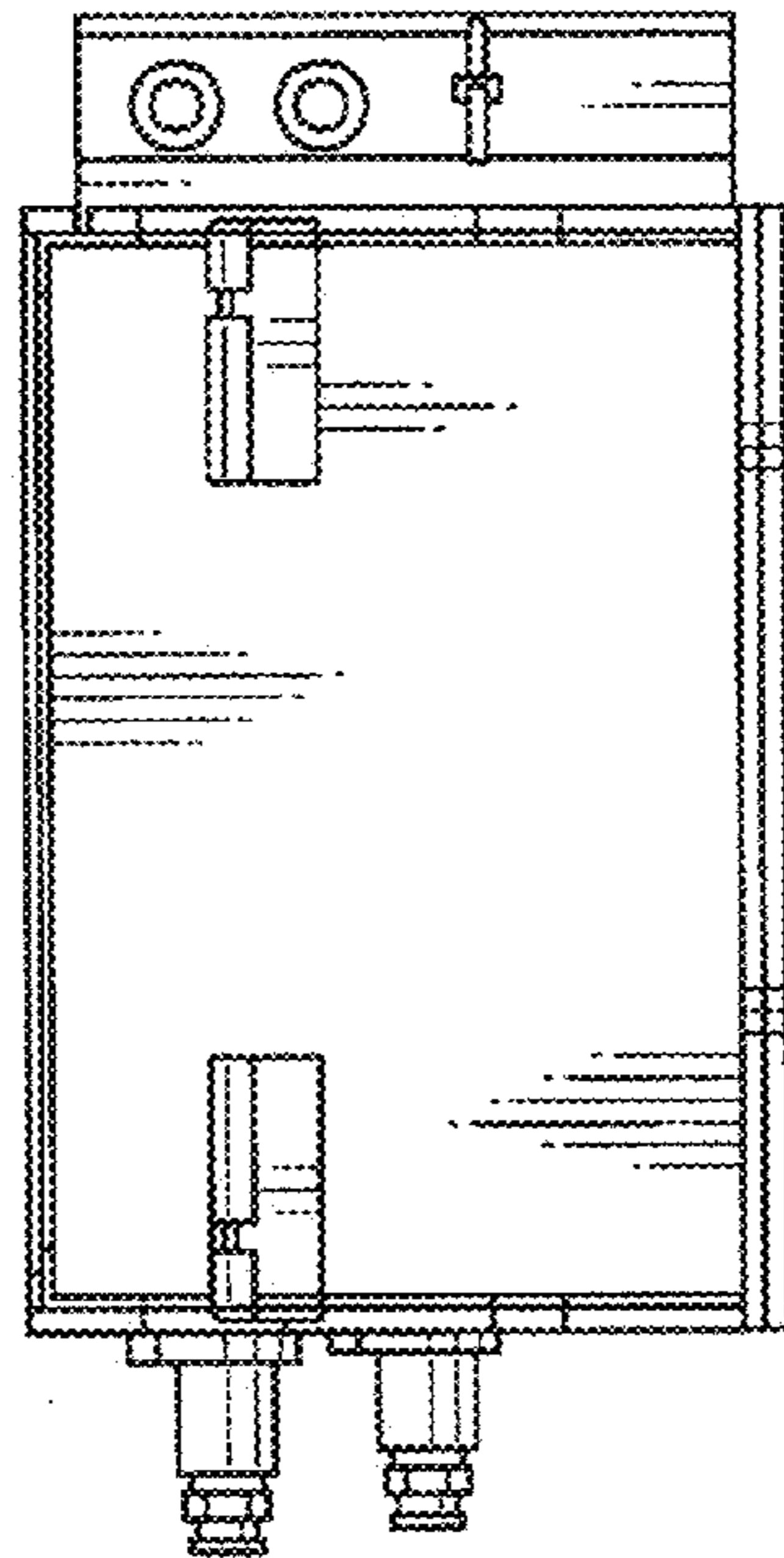


Fig. 5

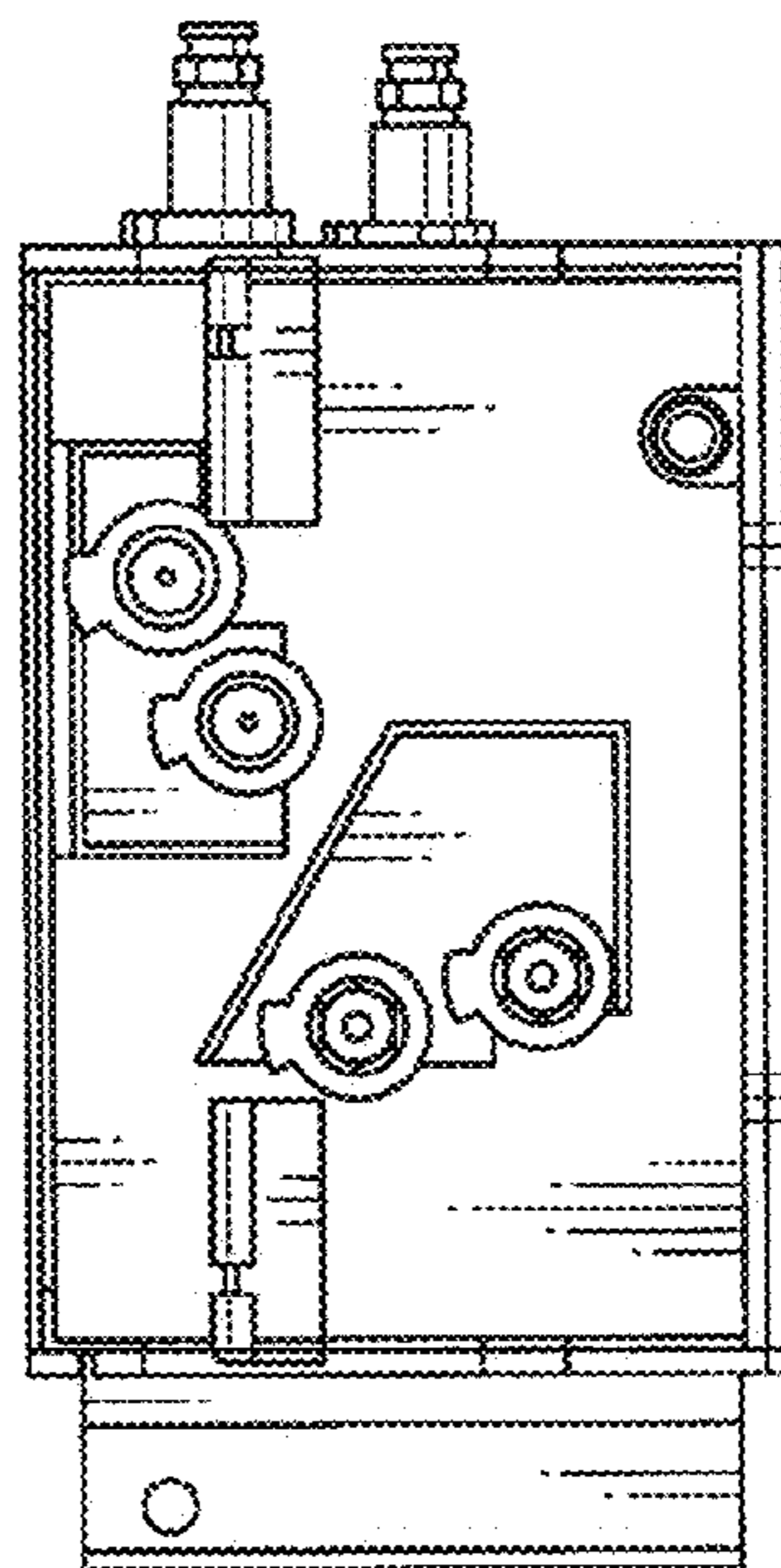


Fig. 7

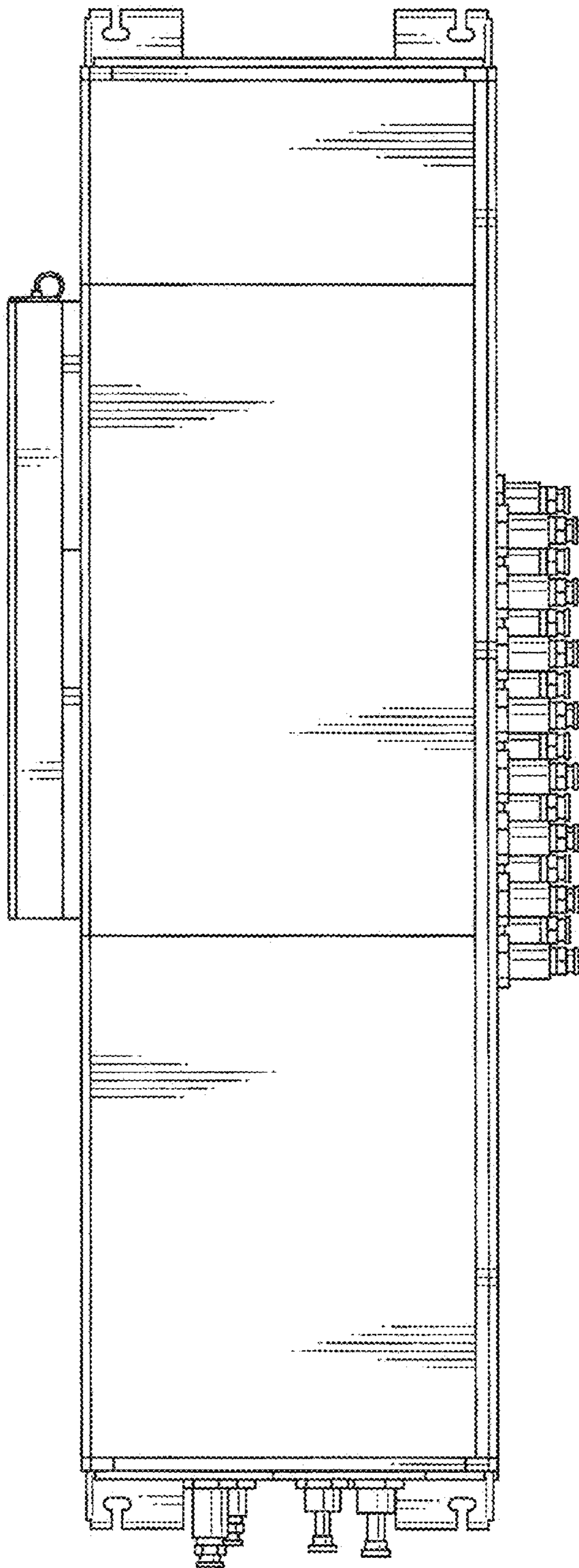


Fig. 8

