



US00D700895S

(12) **United States Design Patent**  
**Sprenger**

(10) **Patent No.:** **US D700,895 S**  
(45) **Date of Patent:** **\*\* Mar. 11, 2014**

(54) **CABLE GLAND**

(75) Inventor: **Dennis Sprenger**, Horn-Bad Meinberg (DE)

(73) Assignee: **Phoenix Contact GmbH & Co. KG**, Blomberg (DE)

(\*\*) Term: **14 Years**

(21) Appl. No.: **29/387,458**

(22) Filed: **Mar. 14, 2011**

(30) **Foreign Application Priority Data**

Sep. 13, 2010 (EP) ..... 001 754 300

(51) **LOC (10) Cl.** ..... **13-03**

(52) **U.S. Cl.**  
USPC ..... **D13/155**

(58) **Field of Classification Search**  
USPC ..... D13/146, 147, 149, 153, 154, 155, 156, D13/157, 158, 160, 173, 184, 199; 439/701, 439/62, 74, 79, 83, 108, 190, 207; 174/19, 174/21 R, 21 JS, 24, 66, 67, 652, 668, 659, 174/656, 654

See application file for complete search history.

(56) **References Cited**

**U.S. PATENT DOCUMENTS**

6,004,163 A \* 12/1999 Behling et al. .... 439/701  
D419,960 S \* 2/2000 Wu ..... D13/147  
2009/0084573 A1 \* 4/2009 Fabrizi ..... 174/67

2010/0326724 A1\* 12/2010 Karlsson et al. .... 174/652

\* cited by examiner

*Primary Examiner* — Derrick Holland

*Assistant Examiner* — Lauren Calve

(74) *Attorney, Agent, or Firm* — Scully, Scott, Murphy & Presser, P.C.

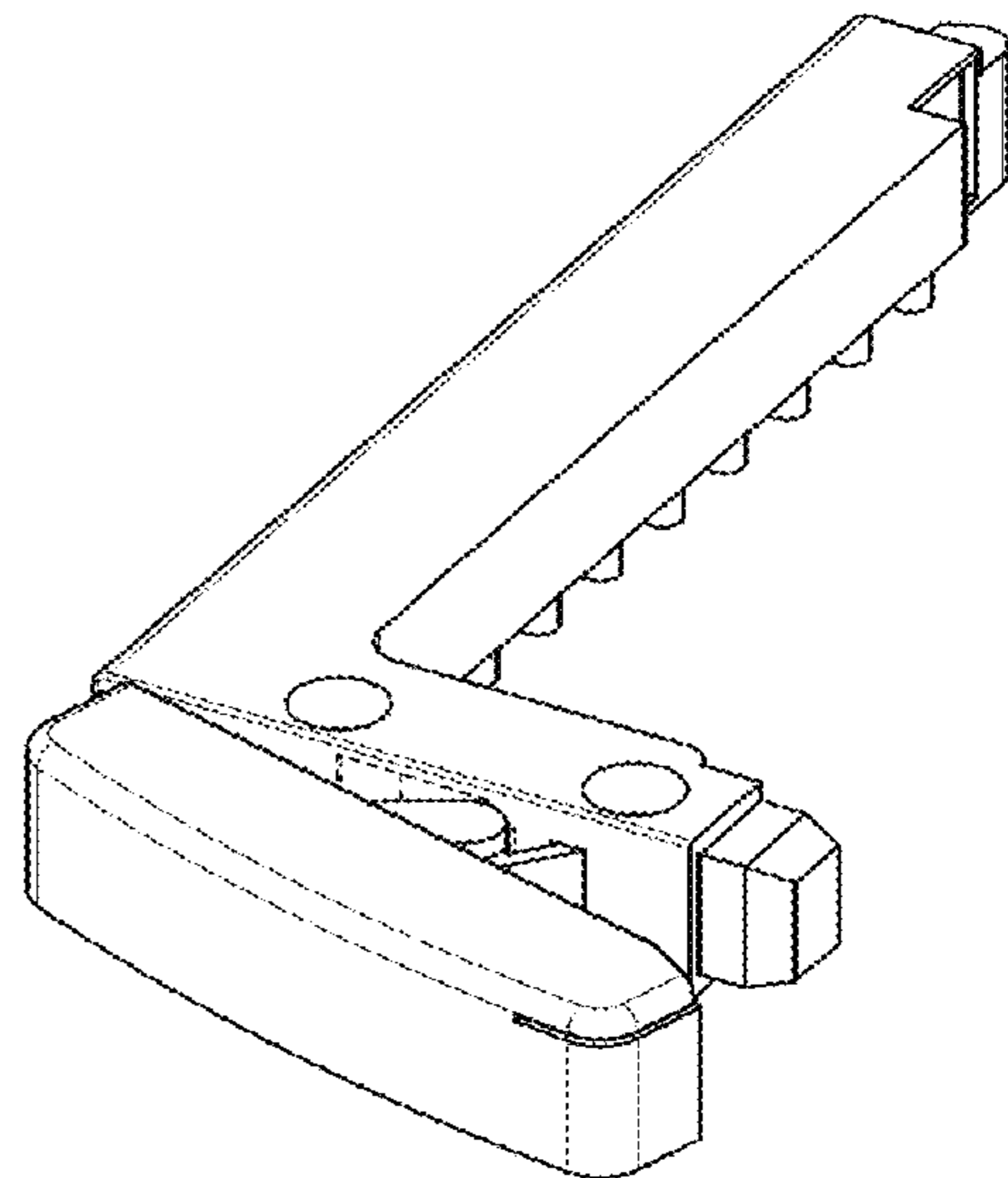
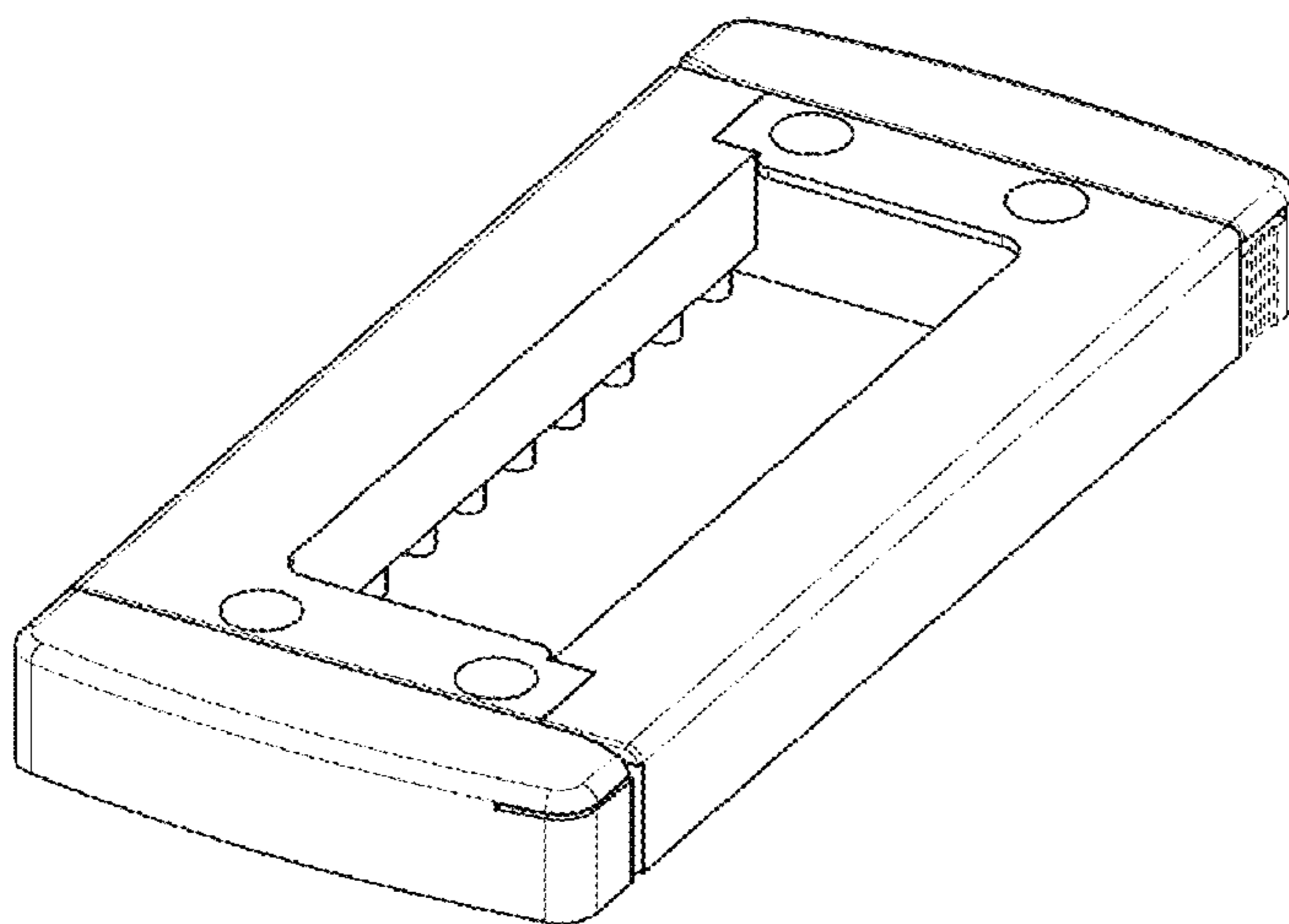
(57) **CLAIM**

The ornamental design for a cable gland, as shown.

**DESCRIPTION**

FIG. 1 is a perspective view of a cable gland showing my new design;  
FIG. 2 is a front elevation view thereof;  
FIG. 3 is a rear elevation view thereof;  
FIG. 4 is a left side view thereof;  
FIG. 5 is a right side view thereof;  
FIG. 6 is a top view thereof;  
FIG. 7 is a bottom view thereof;  
FIG. 8 is a perspective view of a mating part of the cable gland shown in FIG. 1;  
FIG. 9 is a front elevation view of the mating part shown in FIG. 8;  
FIG. 10 is a rear elevation view of the mating part shown in FIG. 8;  
FIG. 11 is a left side view of the mating part shown in FIG. 8;  
FIG. 12 is a right side view of the mating part shown in FIG. 8;  
FIG. 13 is a top view of the mating part shown in FIG. 8; and, FIG. 14 is a bottom view of the mating part shown in FIG. 8. The broken line showing of the cable gland represents unclaimed subject matter and forms no part of the claimed design.

**1 Claim, 12 Drawing Sheets**



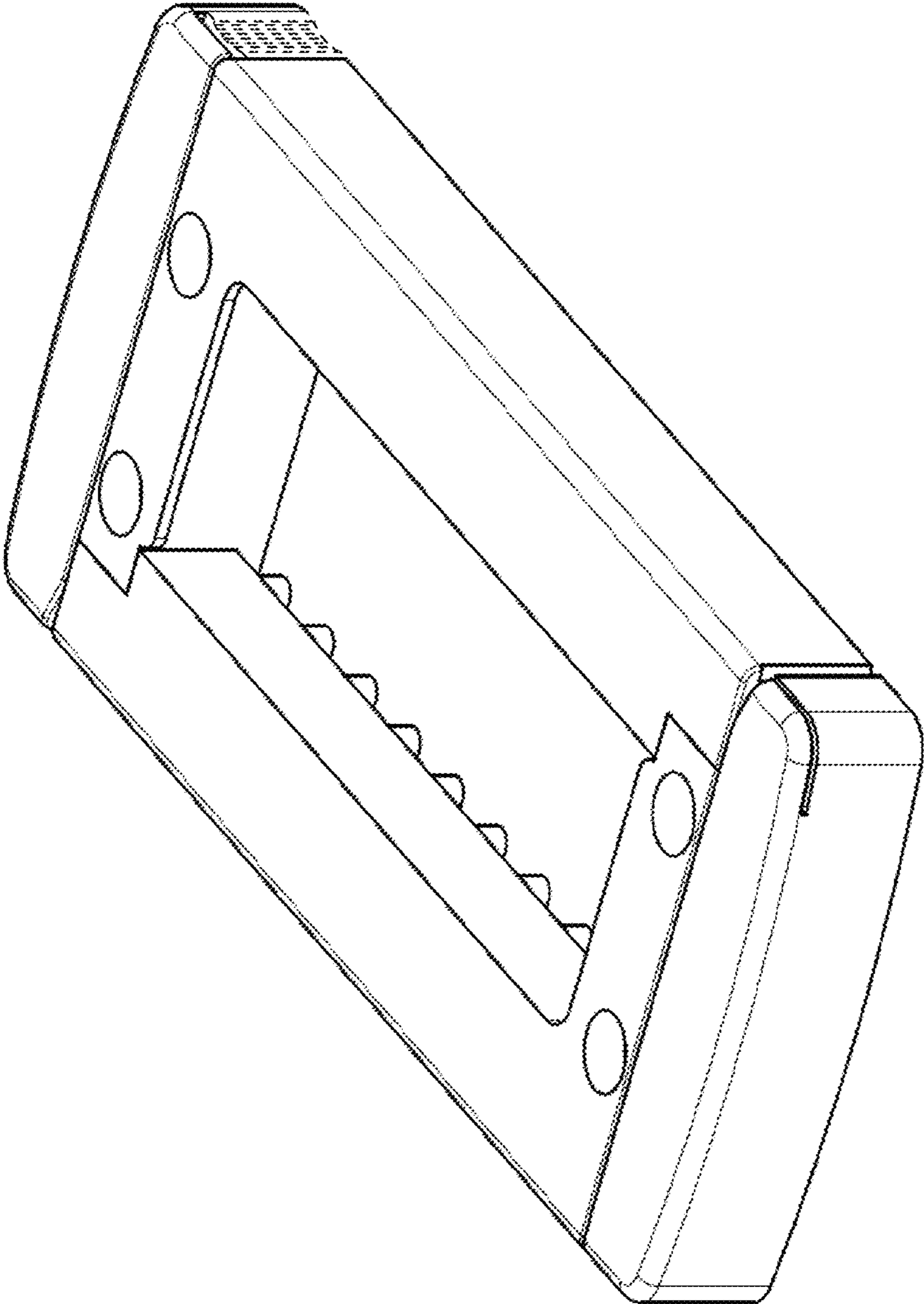


FIG. 1

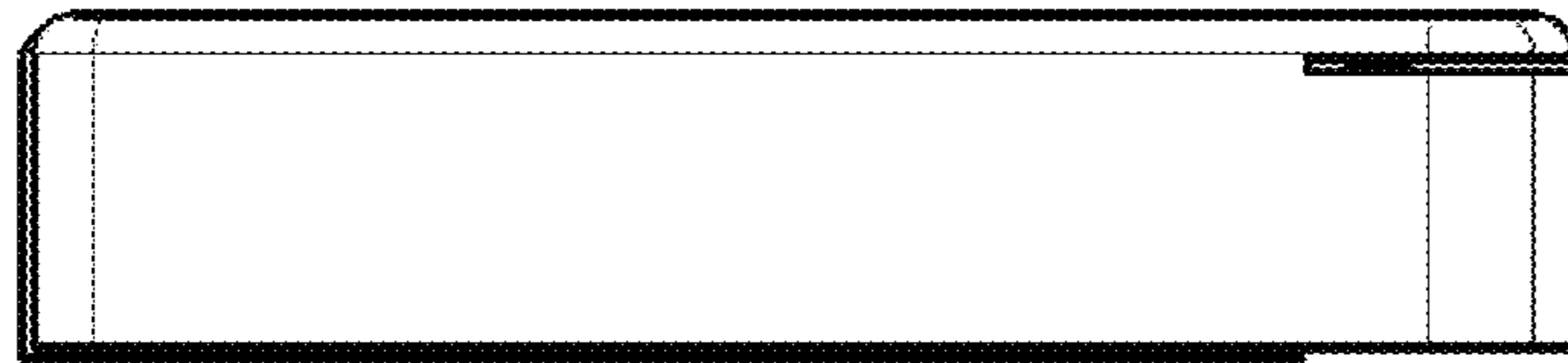


FIG. 2

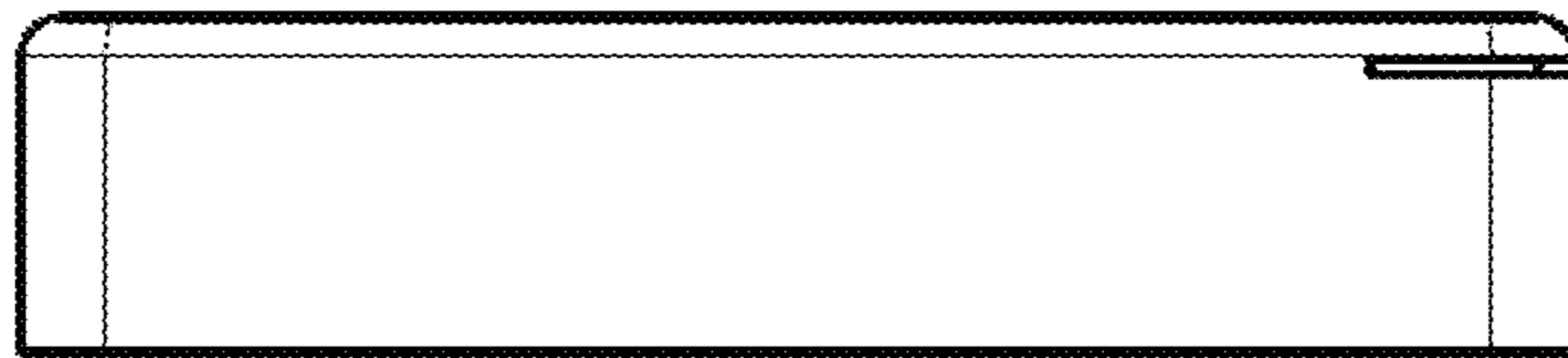


FIG. 3

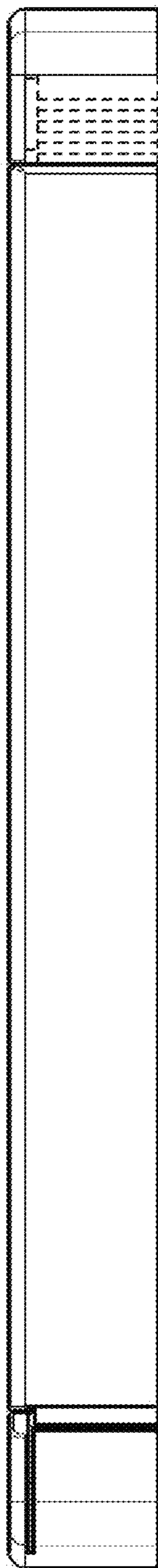


FIG. 4

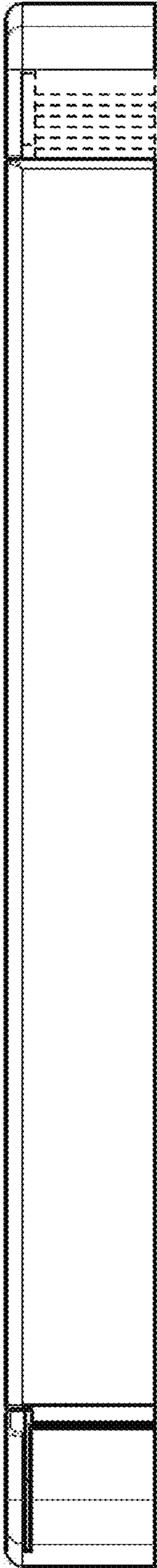


FIG. 5

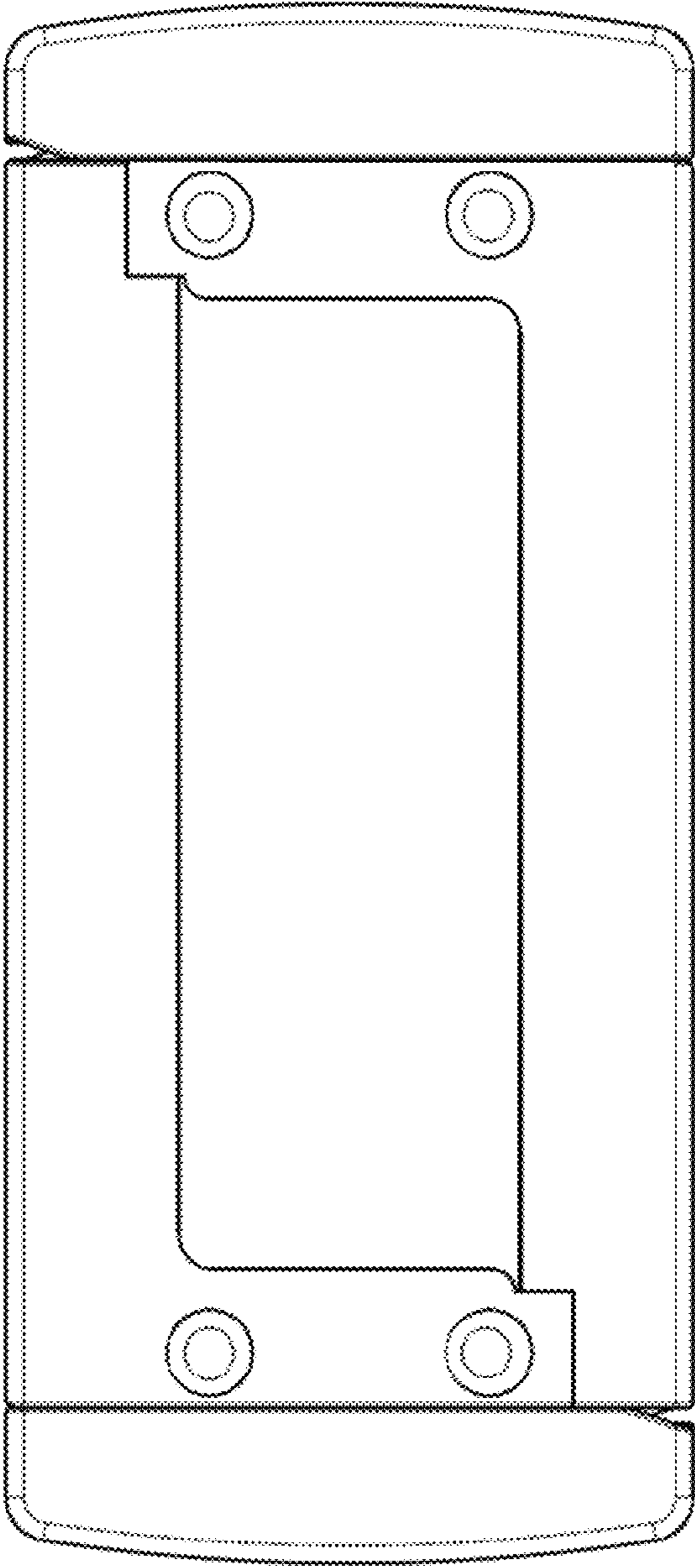


FIG. 6

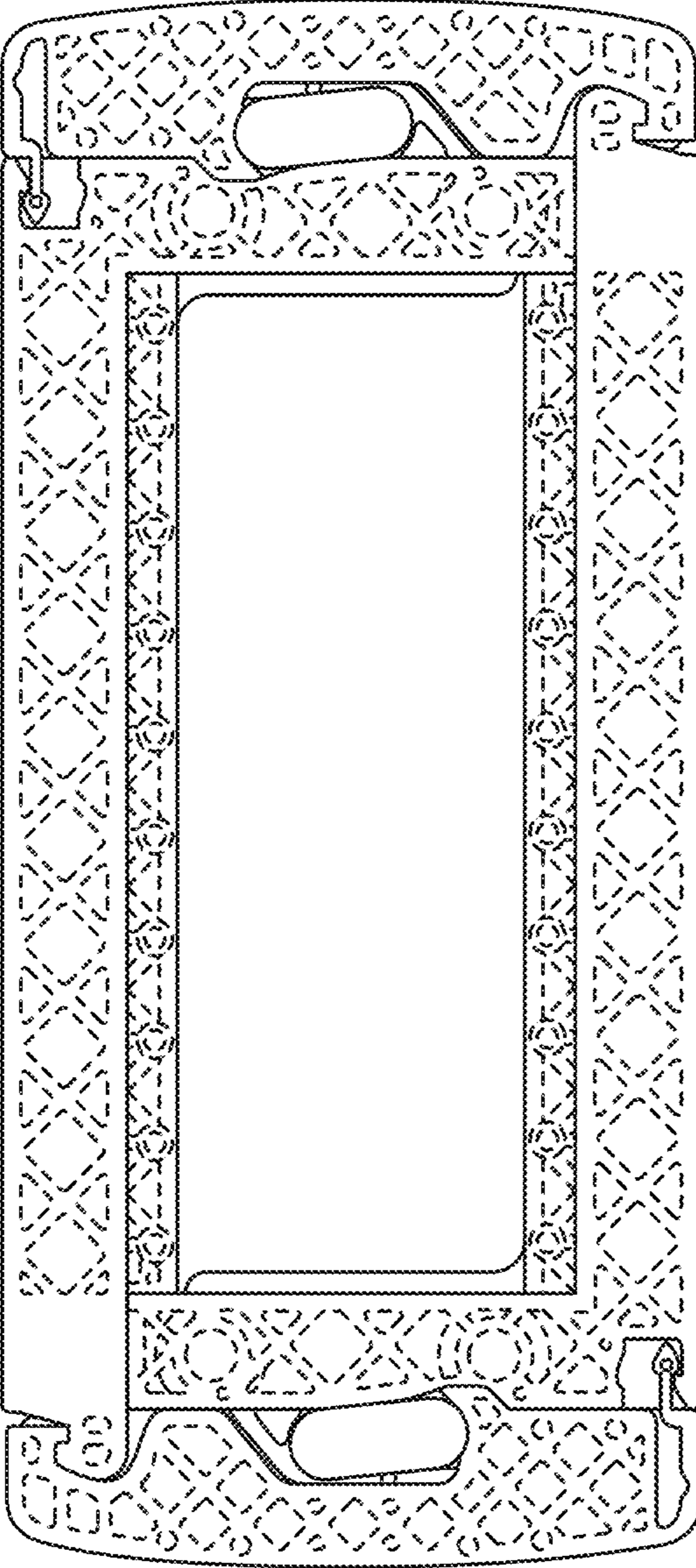


FIG. 7

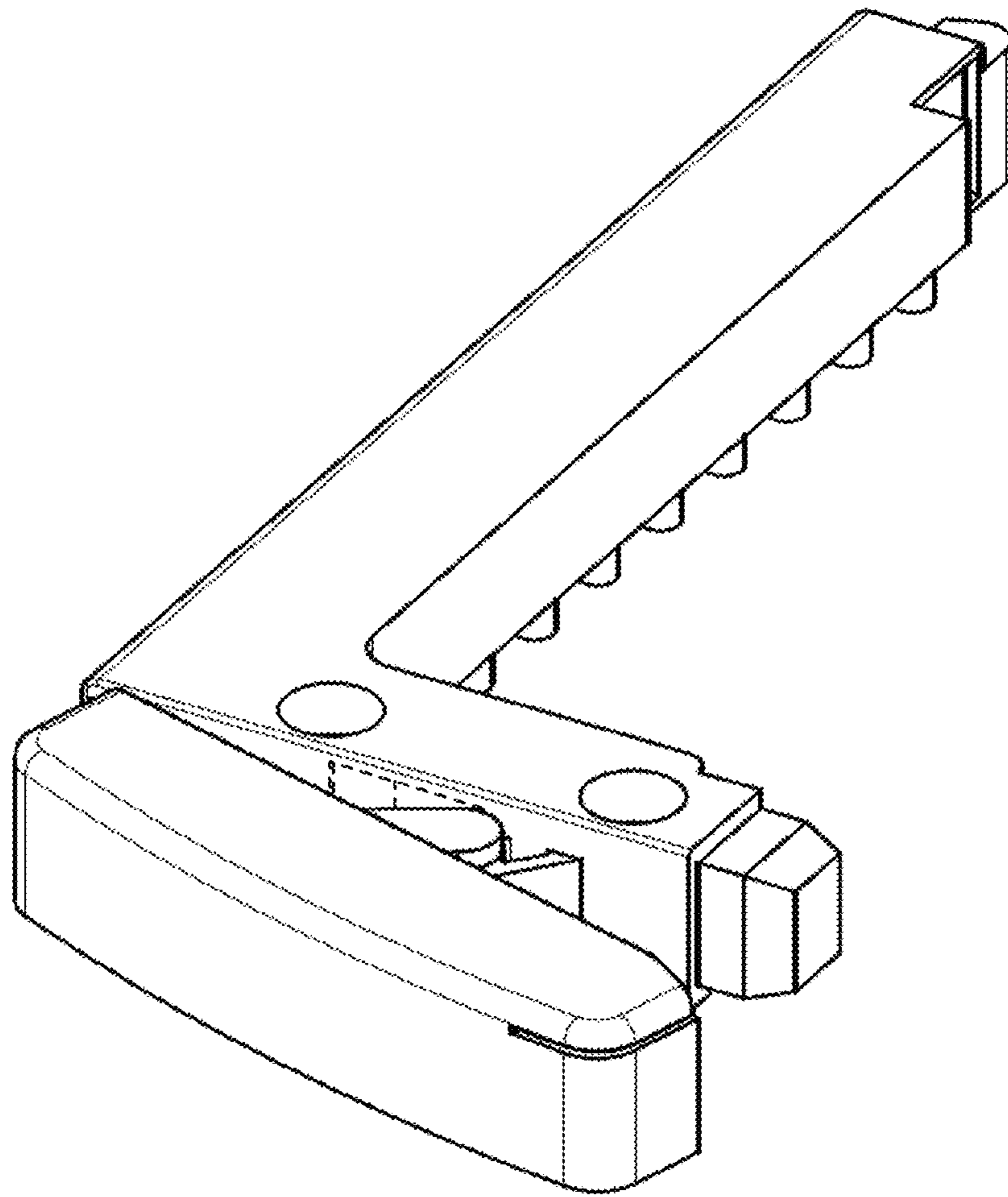


FIG. 8





FIG. 9

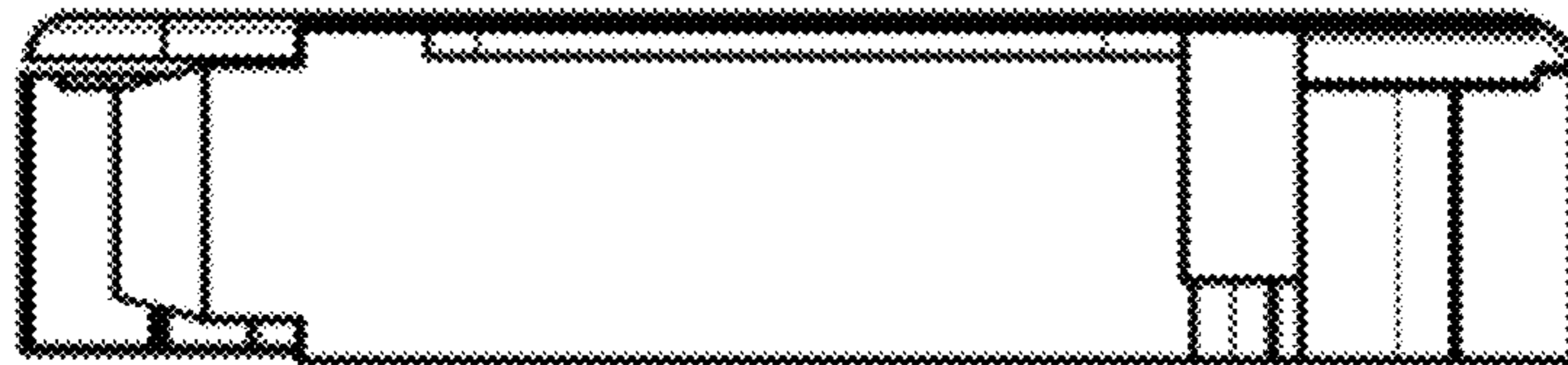


FIG. 10

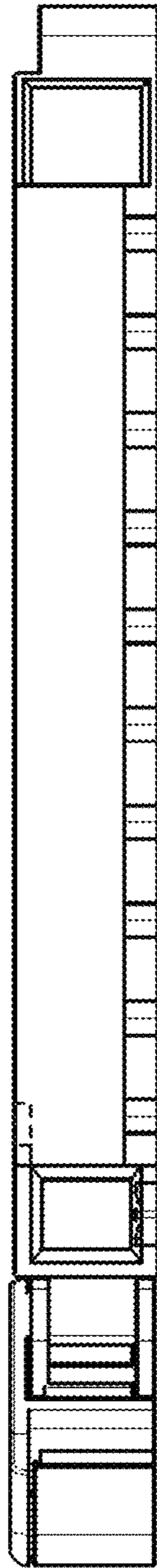


FIG. 11

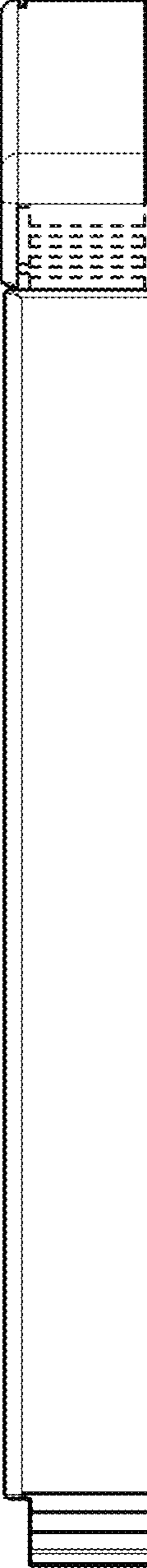


FIG. 12

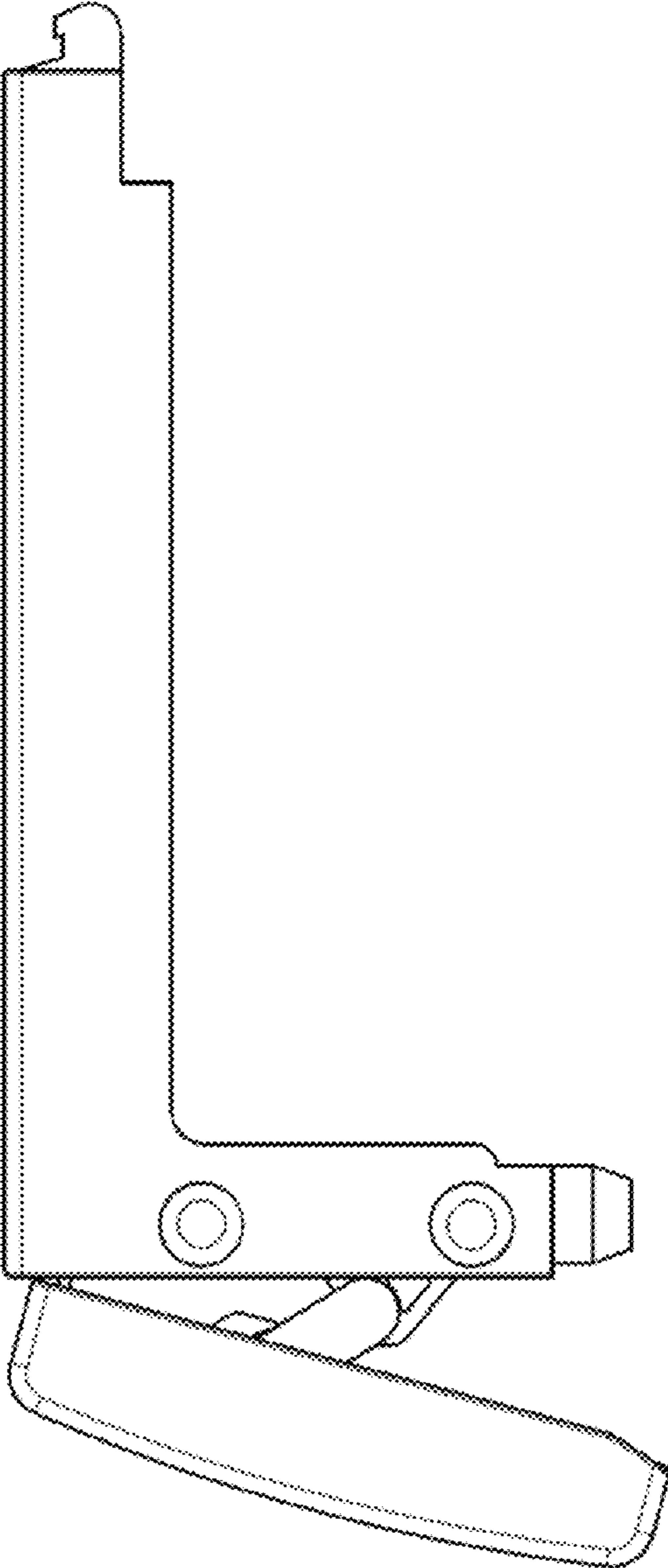


FIG. 13

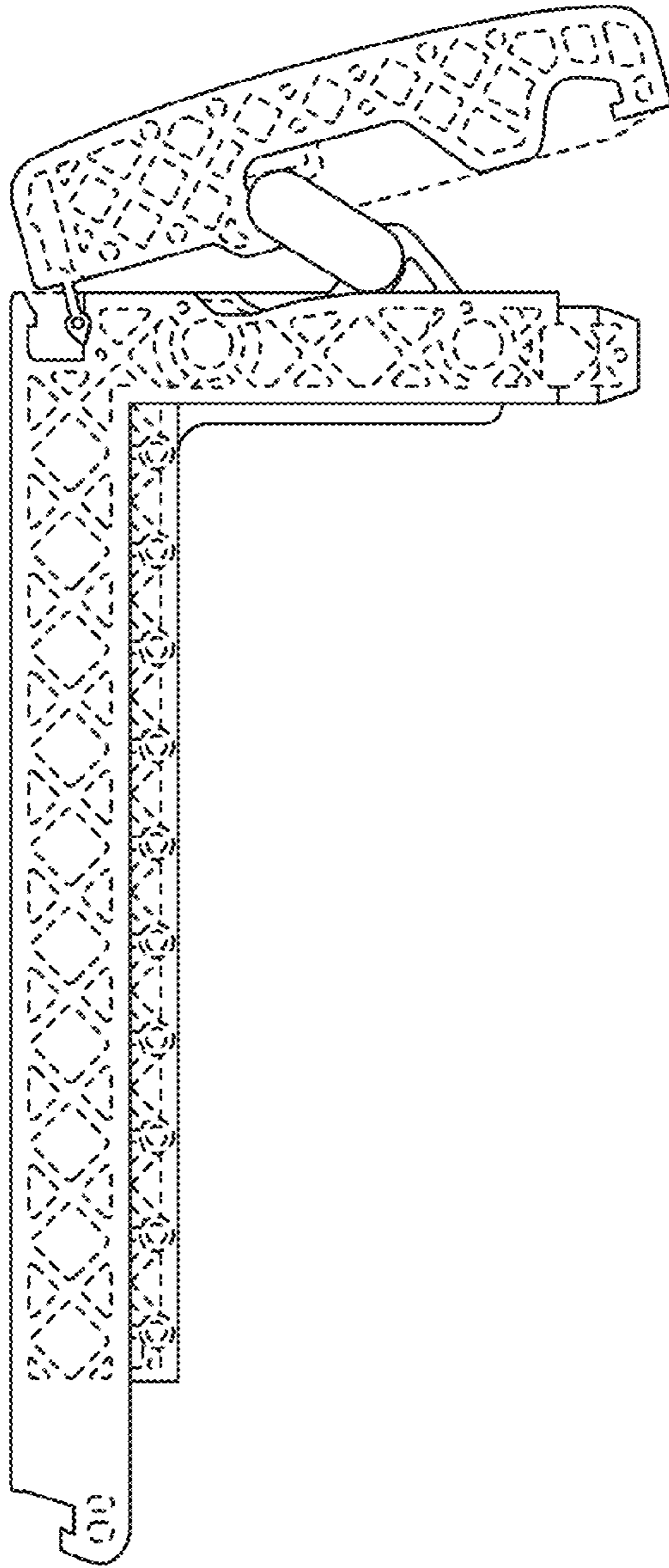


FIG. 14