



US00D700894S

(12) **United States Design Patent**
Feldstein et al.

(10) **Patent No.:** **US D700,894 S**
(45) **Date of Patent:** **** Mar. 11, 2014**

(54) **HI-DEFINITION MULTIMEDIA INTERFACE GASKET**

(75) Inventors: **Wendy Feldstein**, Old Tappan, NJ (US);
William Rehak, Oradell, NJ (US)

(73) Assignee: **Crestron Electronics Inc.**, Rockleigh,
NJ (US)

(**) Term: **14 Years**

(21) Appl. No.: **29/425,193**

(22) Filed: **Jun. 20, 2012**

(51) **LOC (10) Cl.** **13-03**

(52) **U.S. Cl.**
USPC **D13/154**

(58) **Field of Classification Search**
USPC D13/133, 146, 147, 148, 154, 184, 199;
439/271, 272, 277, 839, 849–850, 852,
439/862, 870, 877, 884–885, 887–891, 927
See application file for complete search history.

(56) **References Cited**

U.S. PATENT DOCUMENTS

4,236,779 A 12/1980 Tang
4,239,318 A 12/1980 Schwartz
D274,514 S * 7/1984 Thompson D13/119
4,512,623 A 4/1985 Tomsa
D282,160 S * 1/1986 Berry et al. D13/154

4,703,133 A 10/1987 Miller
4,754,101 A 6/1988 Stickney et al.
D366,025 S * 1/1996 Siemon et al. D13/154
5,628,653 A 5/1997 Haas et al.
D478,558 S * 8/2003 Sparks D13/184
6,932,640 B1 8/2005 Sung
7,270,570 B1 9/2007 Hamner et al.
7,952,890 B2 5/2011 Myers et al.
2006/0036788 A1 2/2006 Galang et al.
2012/0325546 A1* 12/2012 Feldstein et al. 174/358
2012/0325547 A1* 12/2012 Feldstein et al. 174/359
2013/0224998 A1* 8/2013 Feldstein et al. 439/607.01

* cited by examiner

Primary Examiner — Daniel Bui

(74) *Attorney, Agent, or Firm* — Crestron Electronics Inc.

(57) **CLAIM**

The ornamental design for a hi-definition multimedia inter-
face gasket, as shown and described.

DESCRIPTION

FIG. 1 is a top, front, and side perspective view of a hi-
definition multimedia interface gasket showing our new
design;

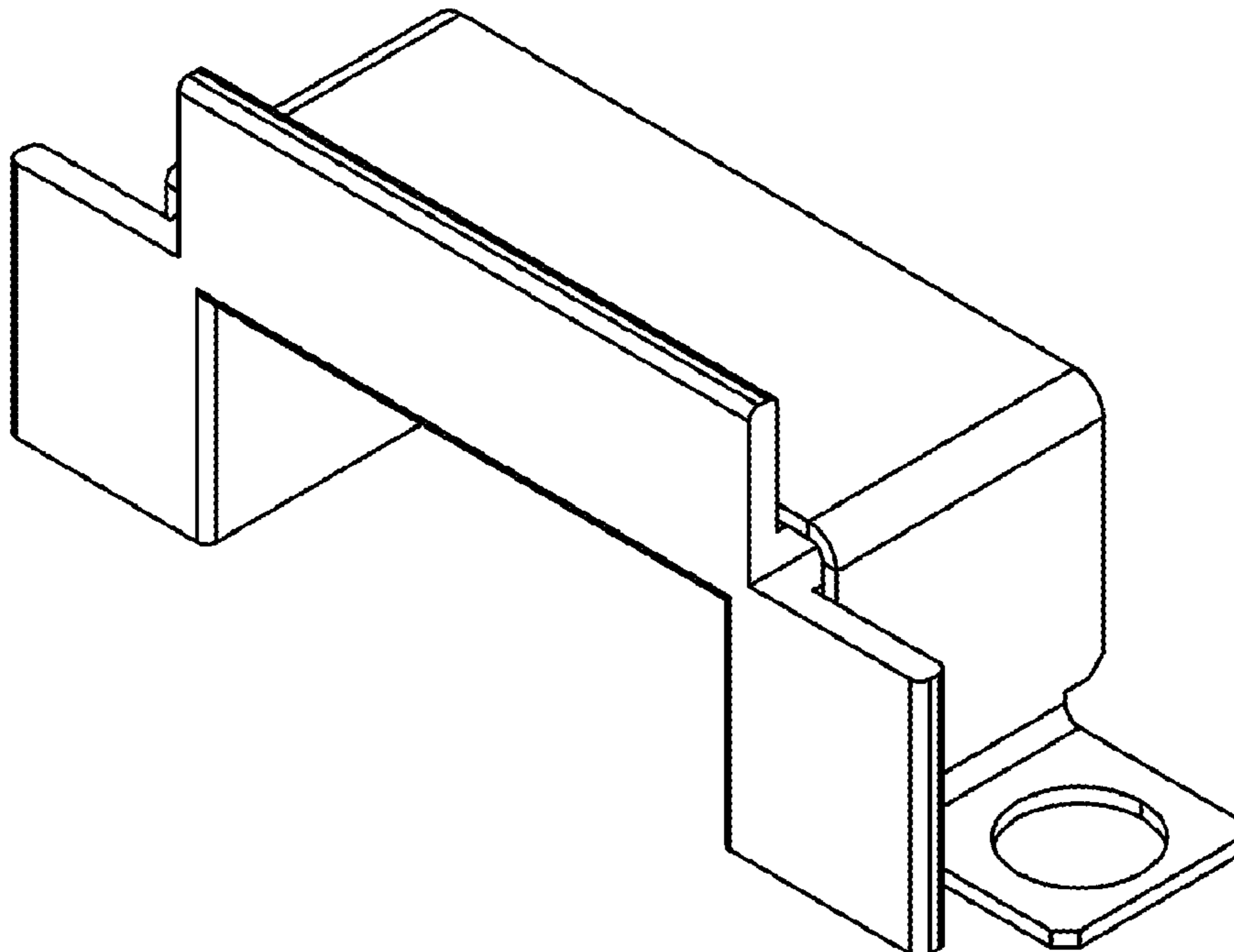
FIG. 2 is a back elevation view thereof;

FIG. 3 is a top plan view thereof;

FIG. 4 is a front elevation view thereof; and,

FIG. 5 is a side elevation view thereof.

1 Claim, 5 Drawing Sheets



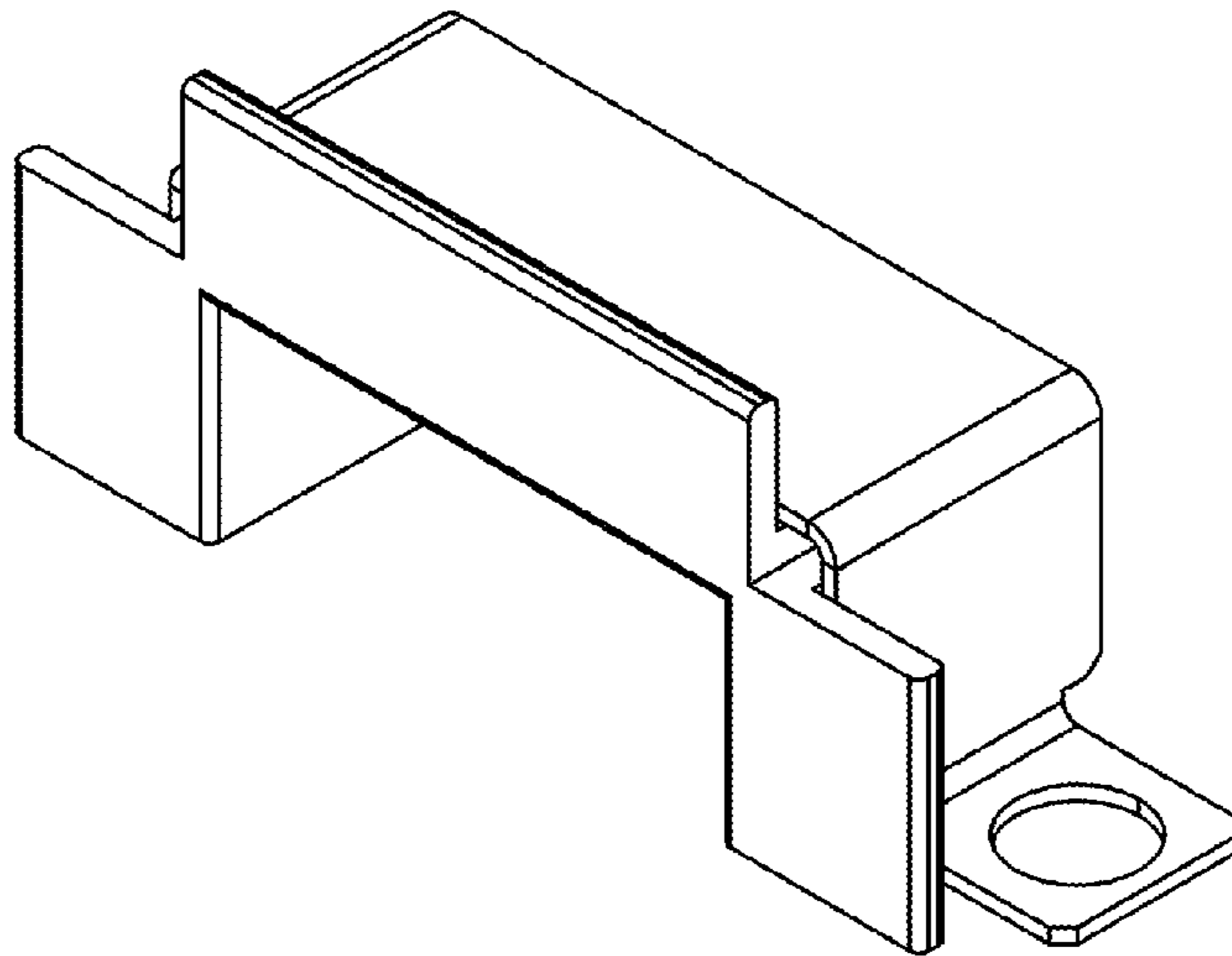


FIG. 1

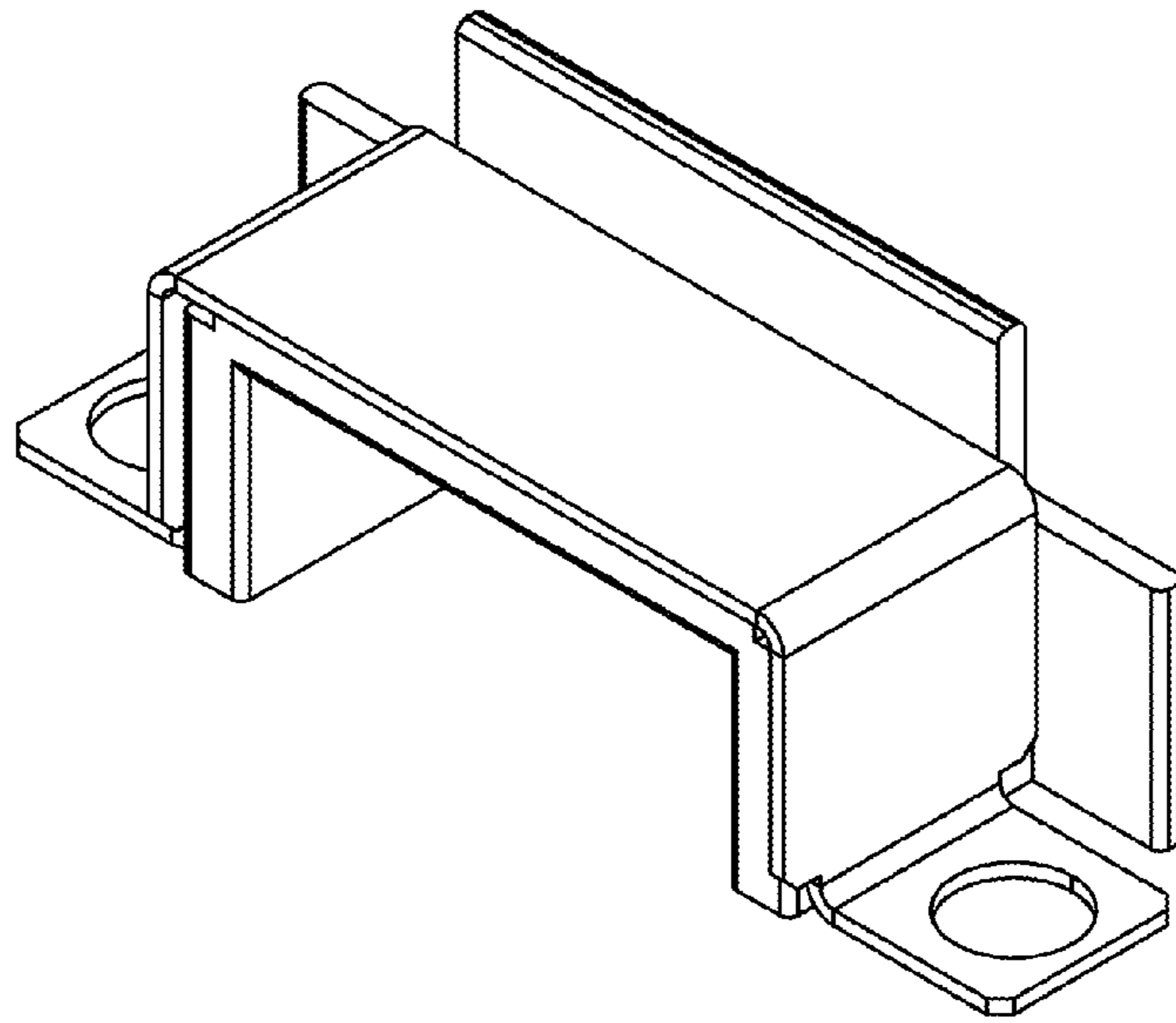


FIG. 2

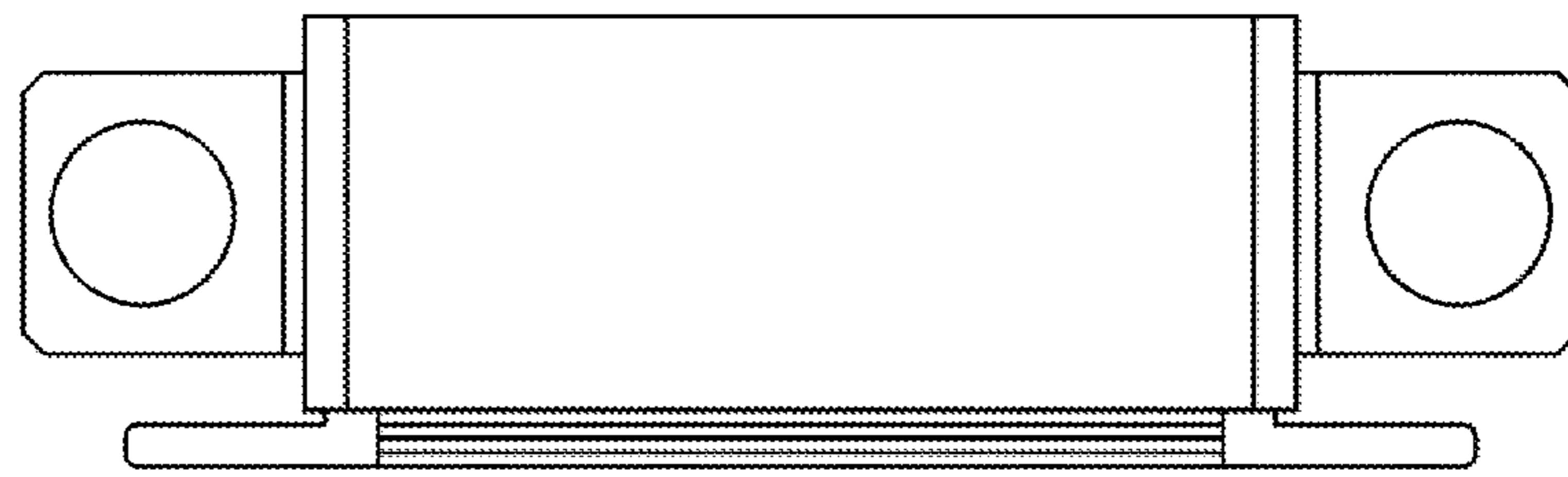


FIG. 3

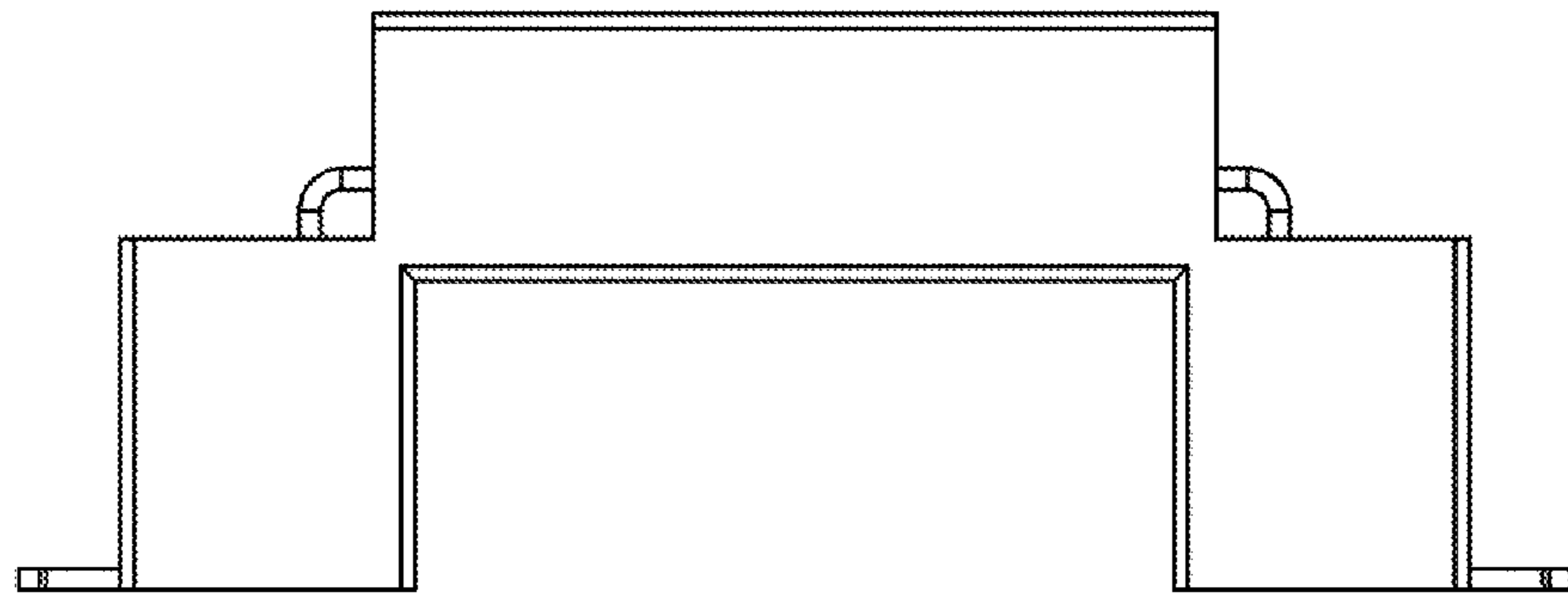


FIG. 4

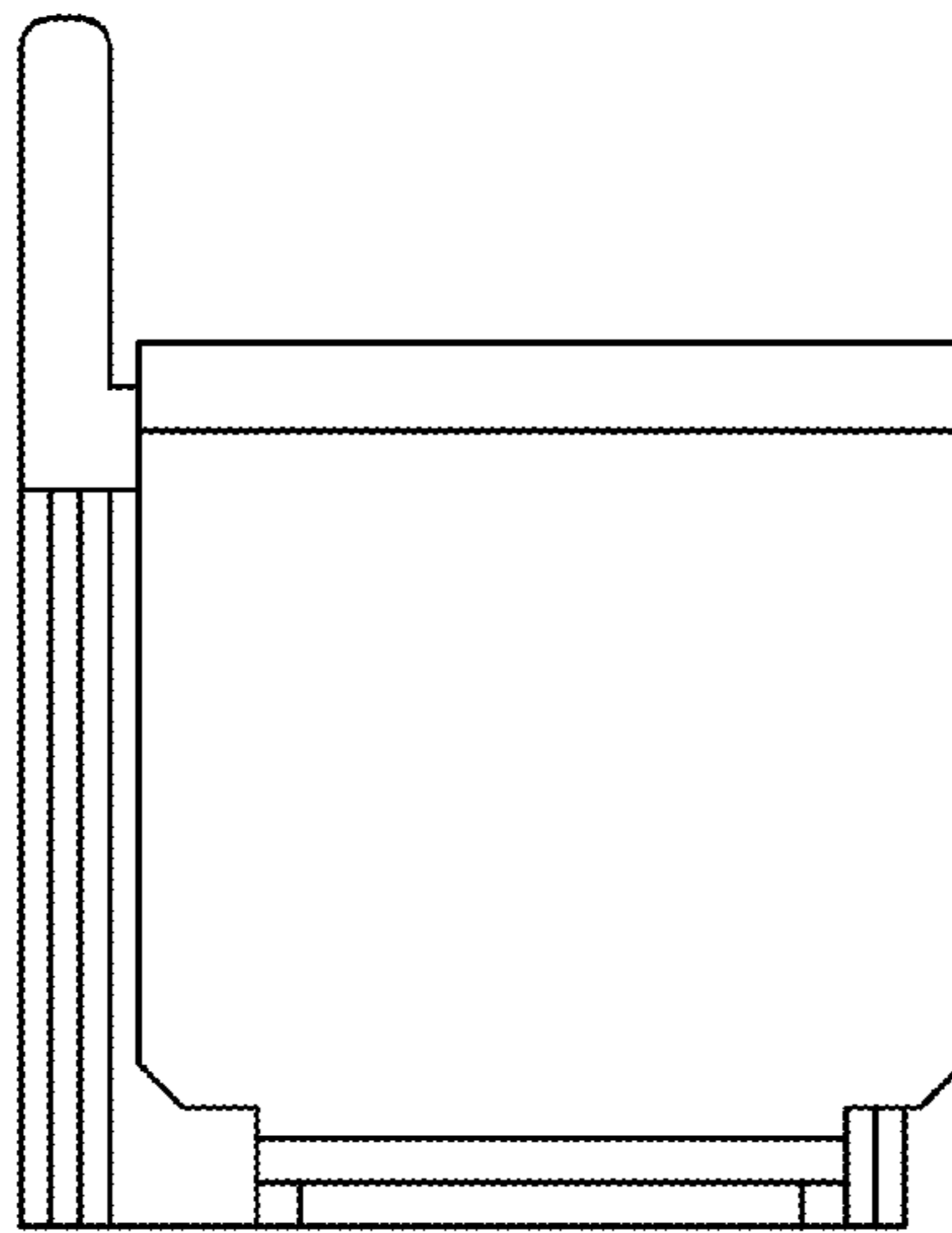


FIG. 5