



US00D700893S

(12) **United States Design Patent**
Thomas et al.

(10) **Patent No.:** **US D700,893 S**

(45) **Date of Patent:** **** *Mar. 11, 2014**

(54) **ELECTRICAL DEVICE BOX WITH EXTENSIONS**

(71) Applicants: **Jason Thomas**, Mesa, AZ (US);
Richard Jon Wagner, South Bend, IN (US)

(72) Inventors: **Jason Thomas**, Mesa, AZ (US);
Richard Jon Wagner, South Bend, IN (US)

(73) Assignee: **Hubbell Incorporated**, Shelton, CT (US)

(*) Notice: This patent is subject to a terminal disclaimer.

(**) Term: **14 Years**

(21) Appl. No.: **29/438,519**

(22) Filed: **Nov. 30, 2012**

(51) **LOC (10) Cl.** **13-03**

(52) **U.S. Cl.**
USPC **D13/152; D13/156**

(58) **Field of Classification Search**
USPC D13/156, 152, 153, 154, 177, 184, 199;
D8/353; 174/50, 53, 54, 55, 58, 60, 66,
174/67; 220/4.02, 241, 244; 248/906;
439/345, 373, 535, 536

See application file for complete search history.

(56) **References Cited**

U.S. PATENT DOCUMENTS

D265,986	S	*	8/1982	Wearsch et al.	D13/156
D274,721	S	*	7/1984	Smith	D14/240
5,773,760	A	*	6/1998	Stark et al.	174/66
D466,085	S	*	11/2002	Heggem	D13/152
D531,961	S	*	11/2006	Greenfield	D13/156
7,183,483	B1	*	2/2007	Anderson et al.	174/50
D556,143	S	*	11/2007	Ni	D13/152
D596,582	S	*	7/2009	Stuckmann et al.	D13/152
D598,392	S	*	8/2009	Vigorito et al.	D13/152
D605,139	S	*	12/2009	Moore	D13/156

* cited by examiner

Primary Examiner — Derrick Holland

(74) *Attorney, Agent, or Firm* — Garrett V. Davis; Mark S. Bicks; Alfred N. Goodman

(57) **CLAIM**

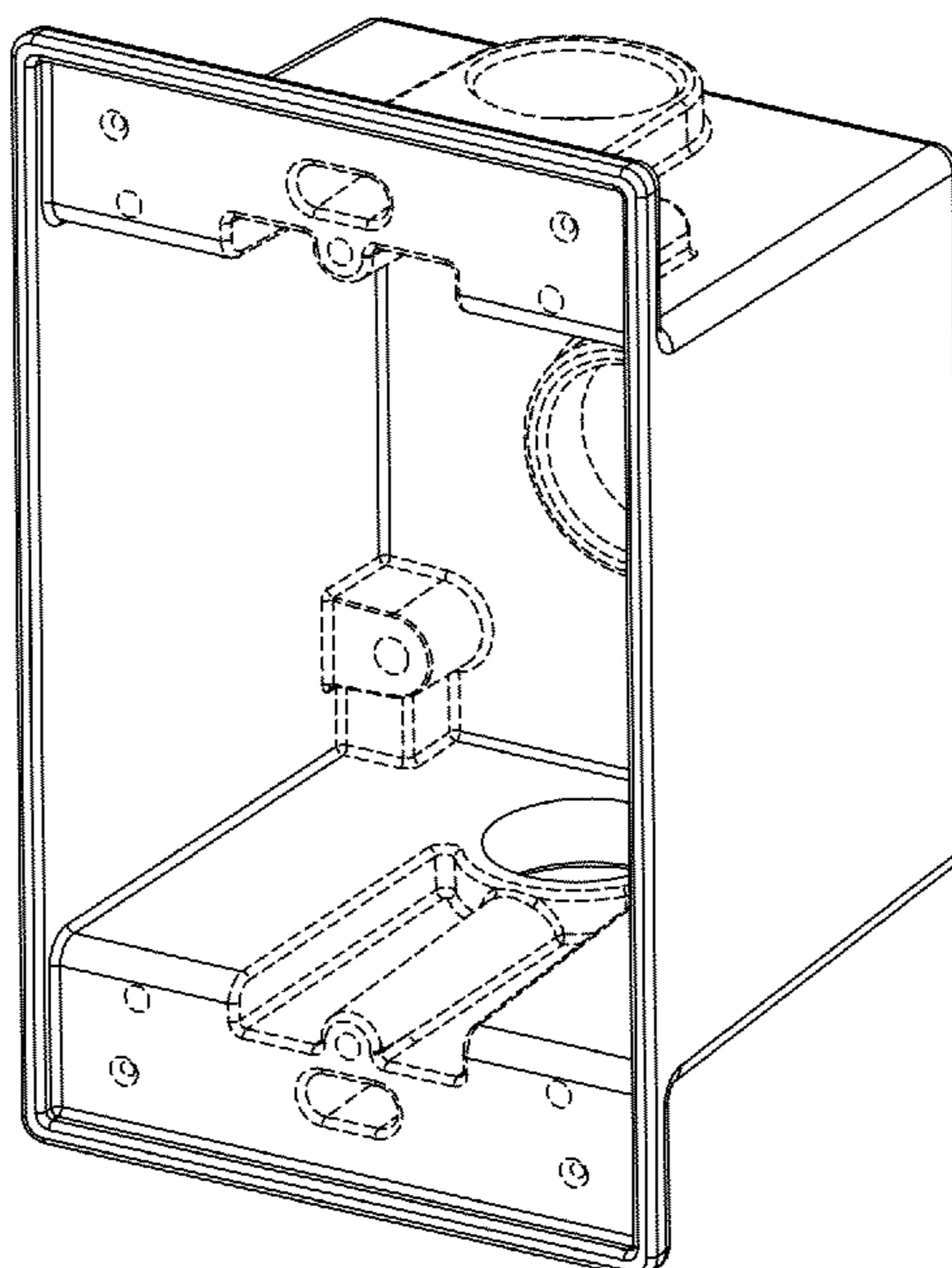
The ornamental design for an electrical device box with extensions, as shown and described.

DESCRIPTION

FIG. 1 is a front view of electrical device box with extensions; FIG. 2 is a left side view thereof; FIG. 3 is a rear view thereof; FIG. 4 is a right side view thereof; FIG. 5 is a top view thereof; FIG. 6 is a bottom view thereof; FIG. 7 is a rear perspective view thereof; and, FIG. 8 is a front perspective view of electrical device box with extensions.

The broken lines are included for the purpose of illustrating environmental features and form no part of the claimed design.

1 Claim, 8 Drawing Sheets



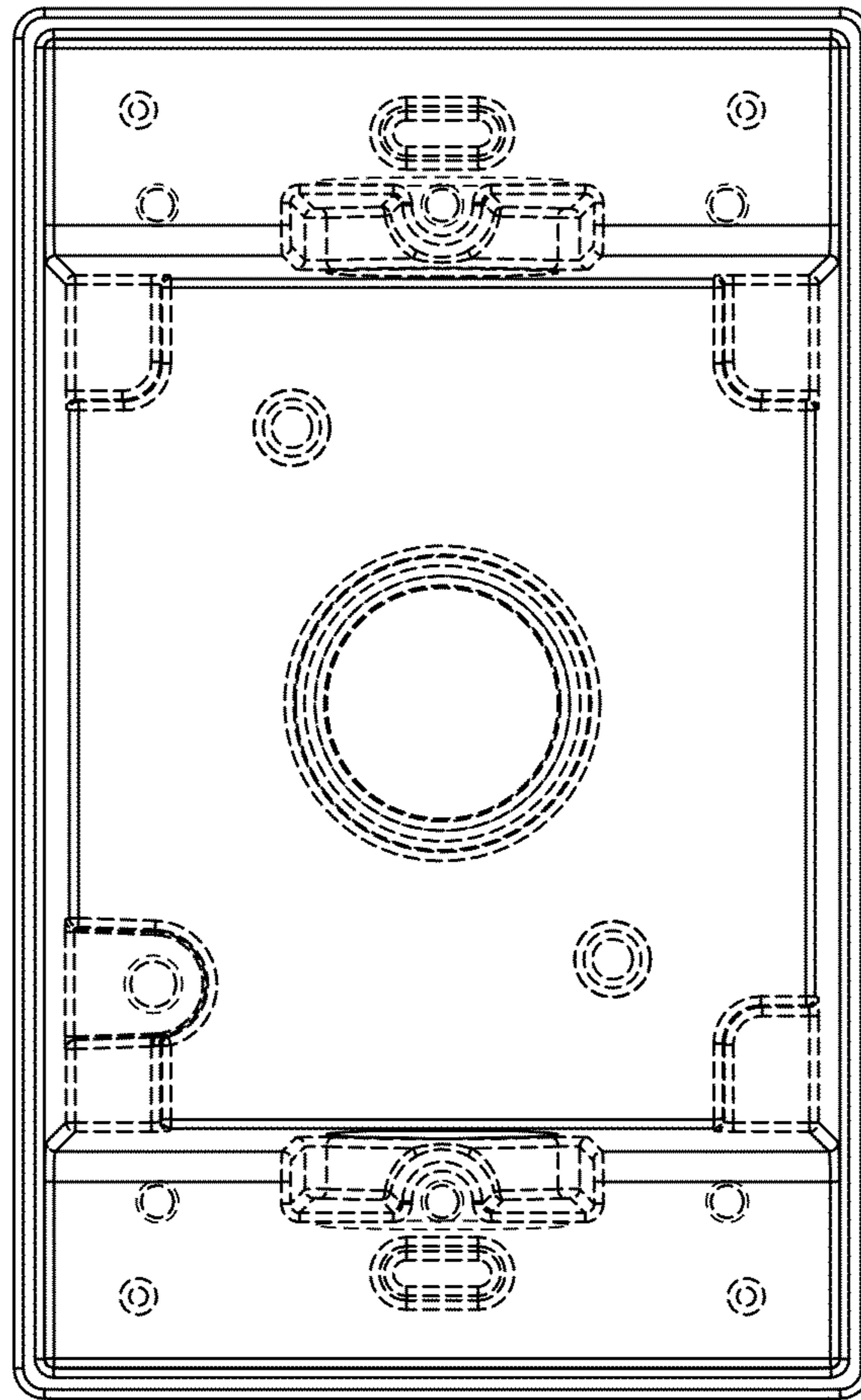


FIG. 1

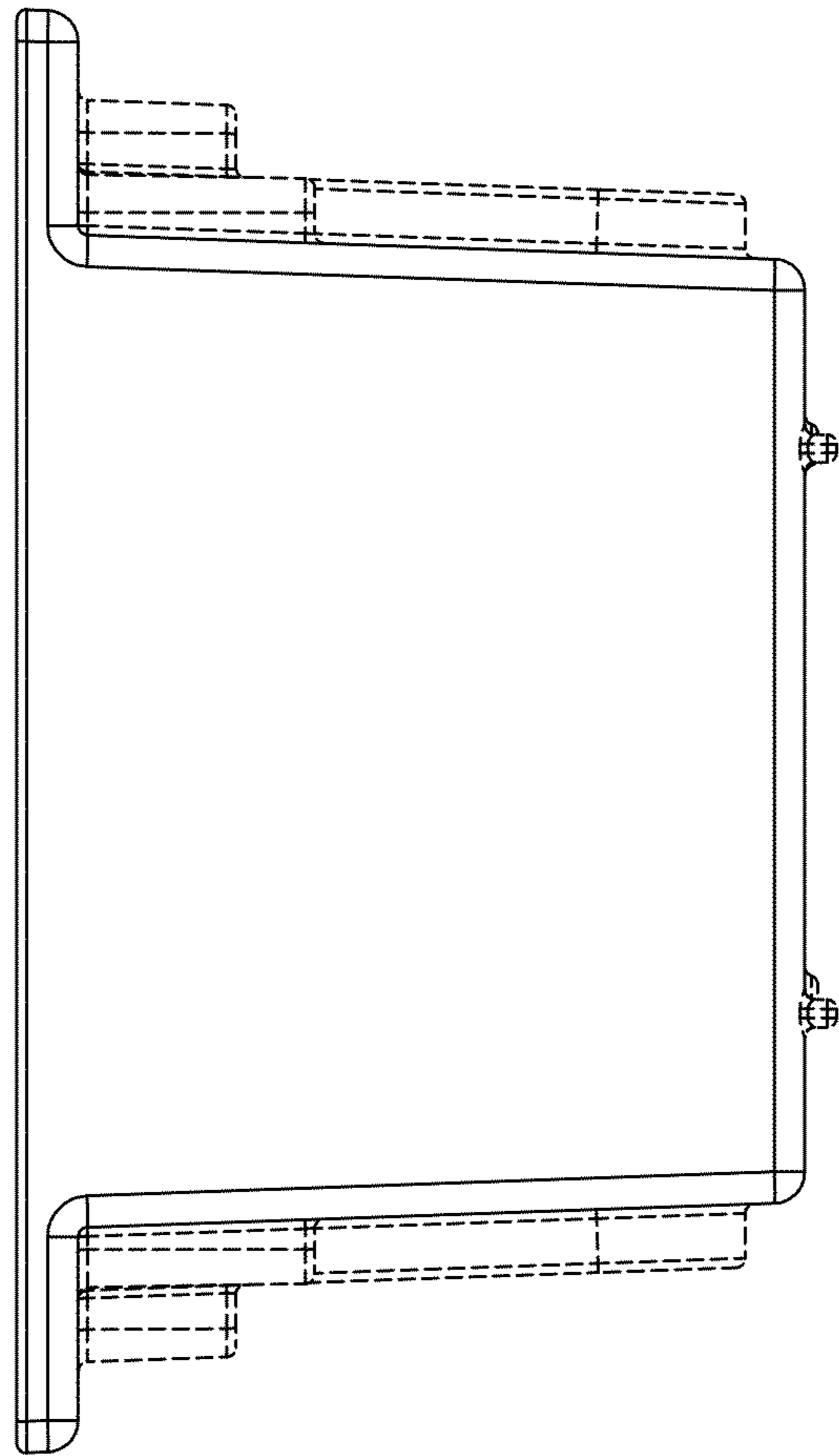


FIG. 2

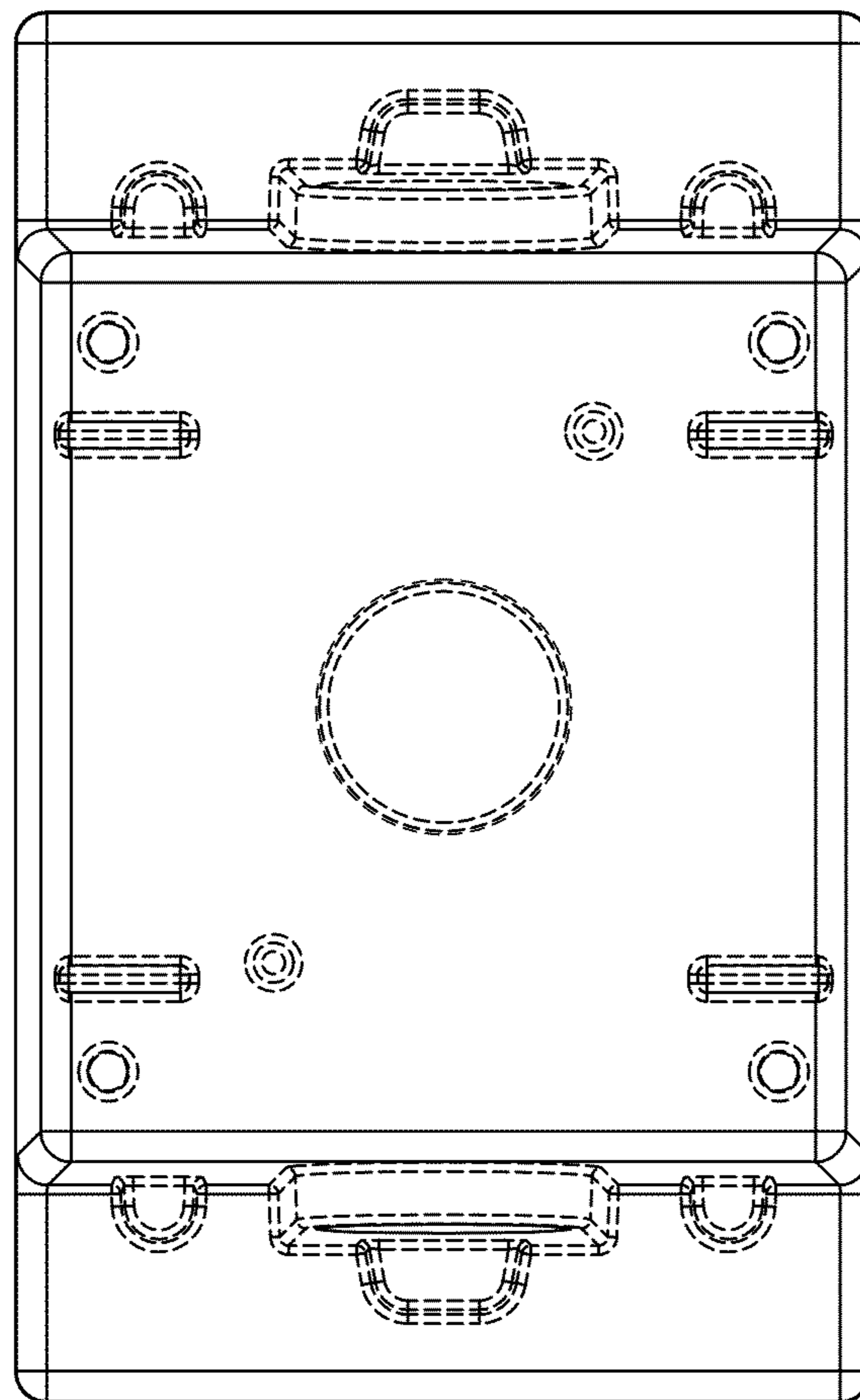


FIG. 3

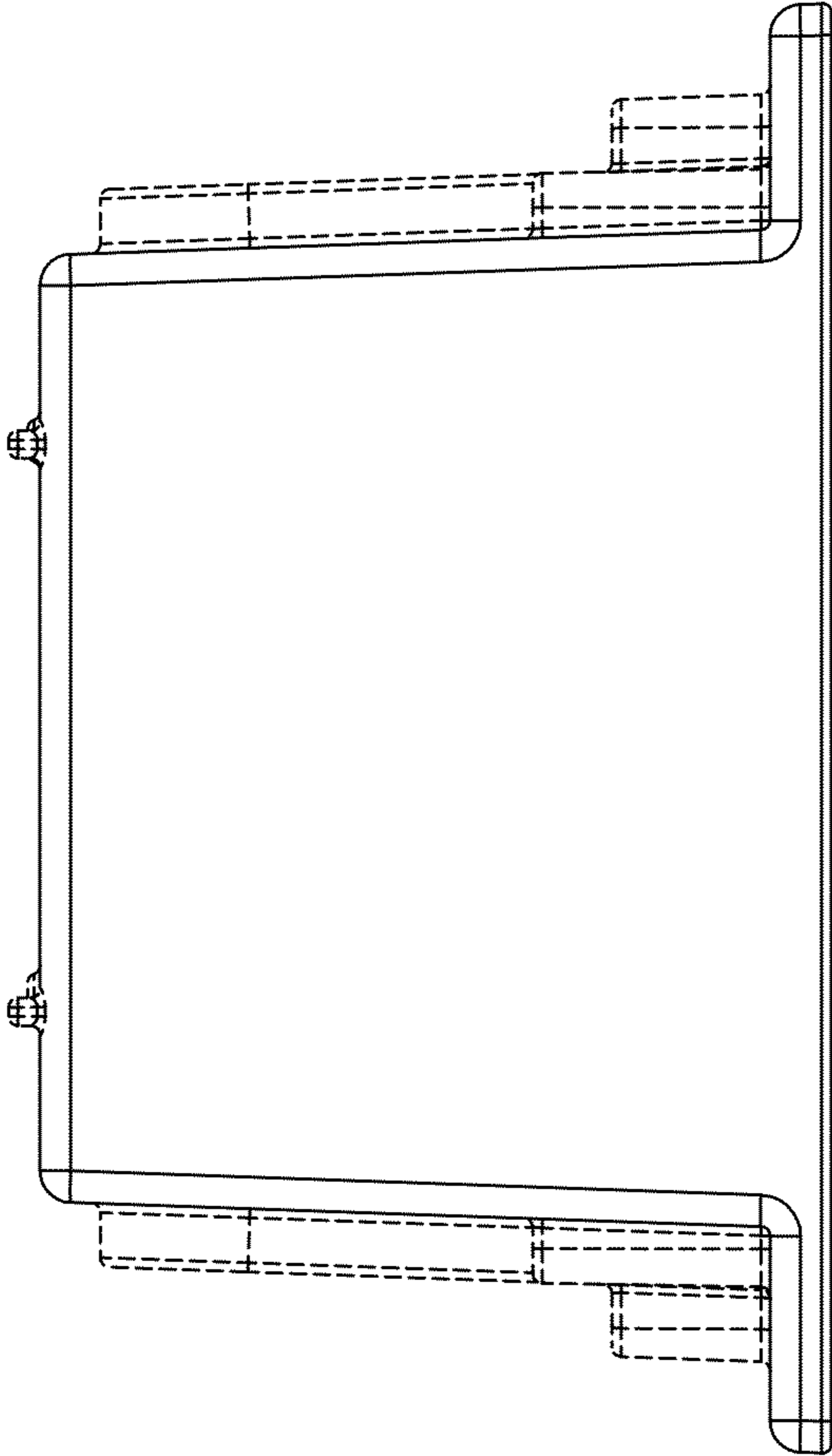


FIG. 4

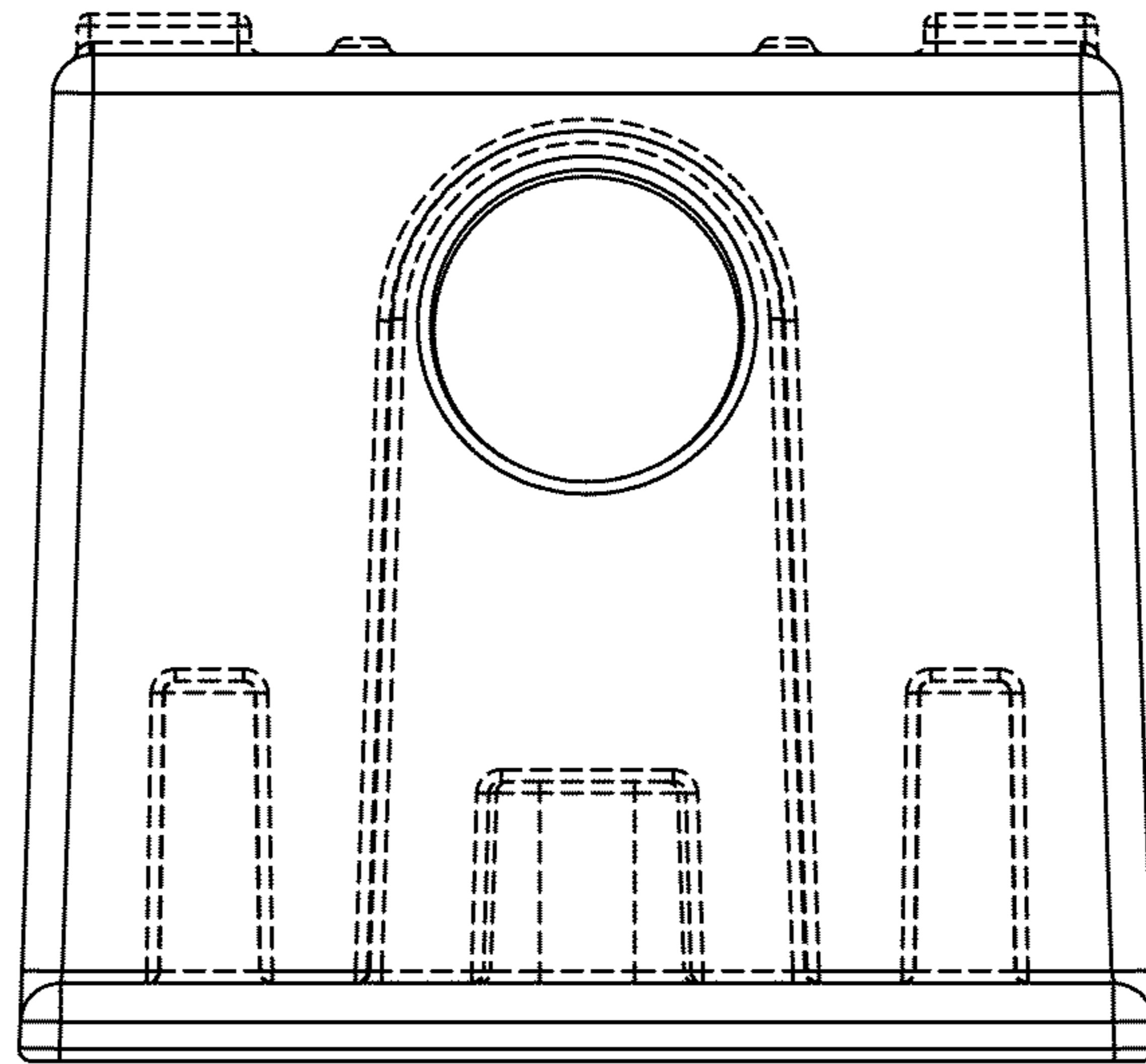


FIG. 5

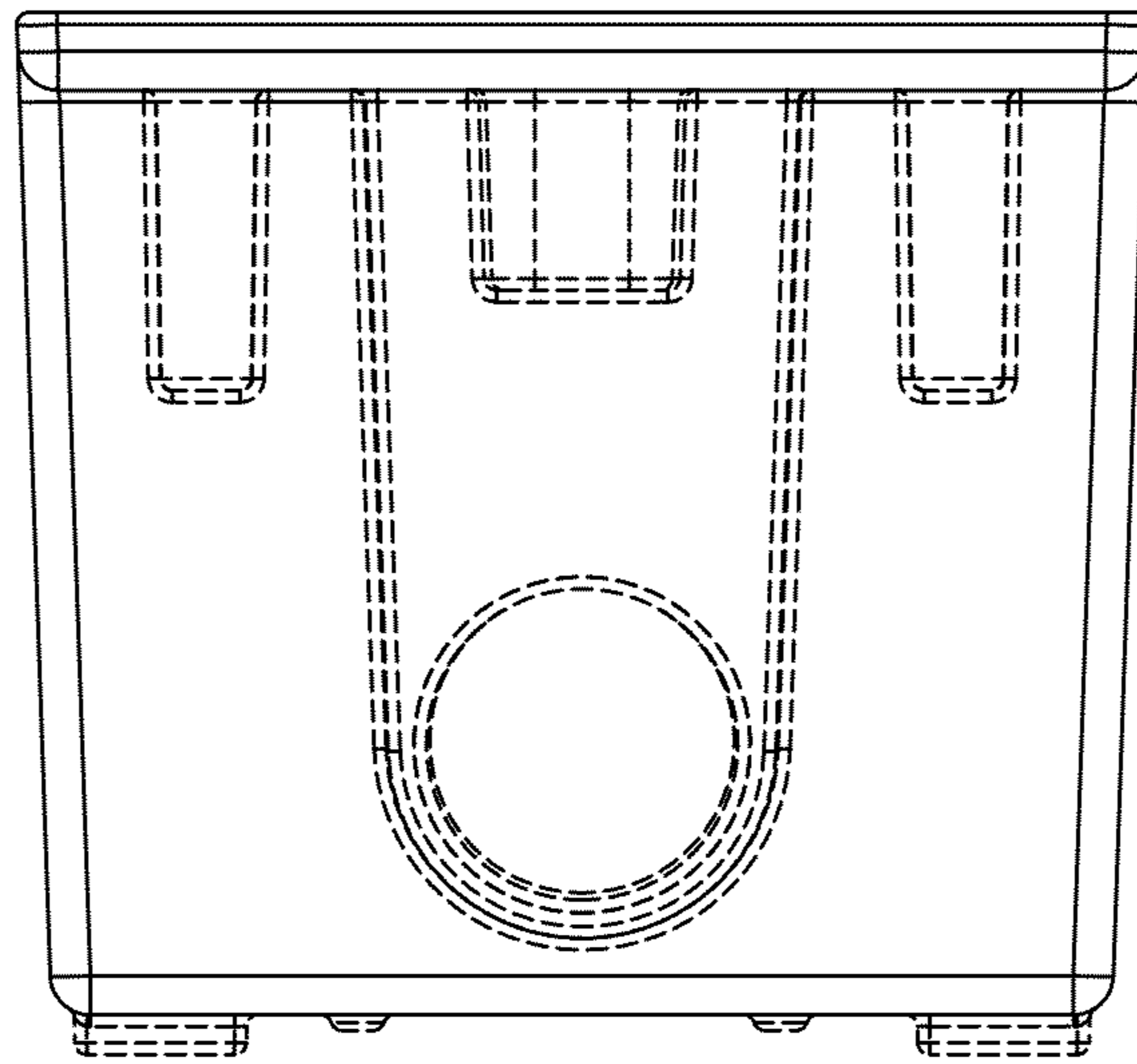


FIG. 6

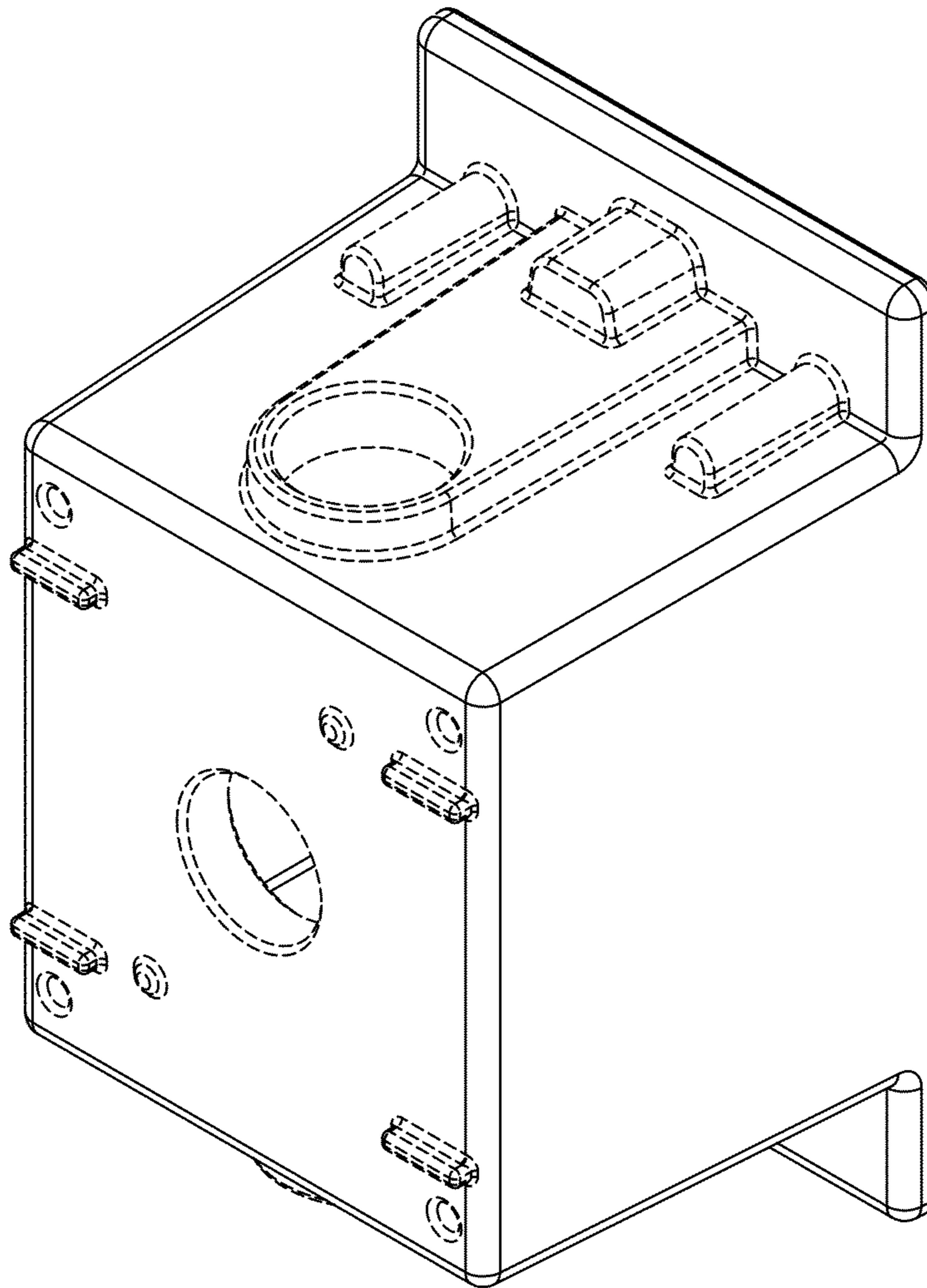


FIG. 7

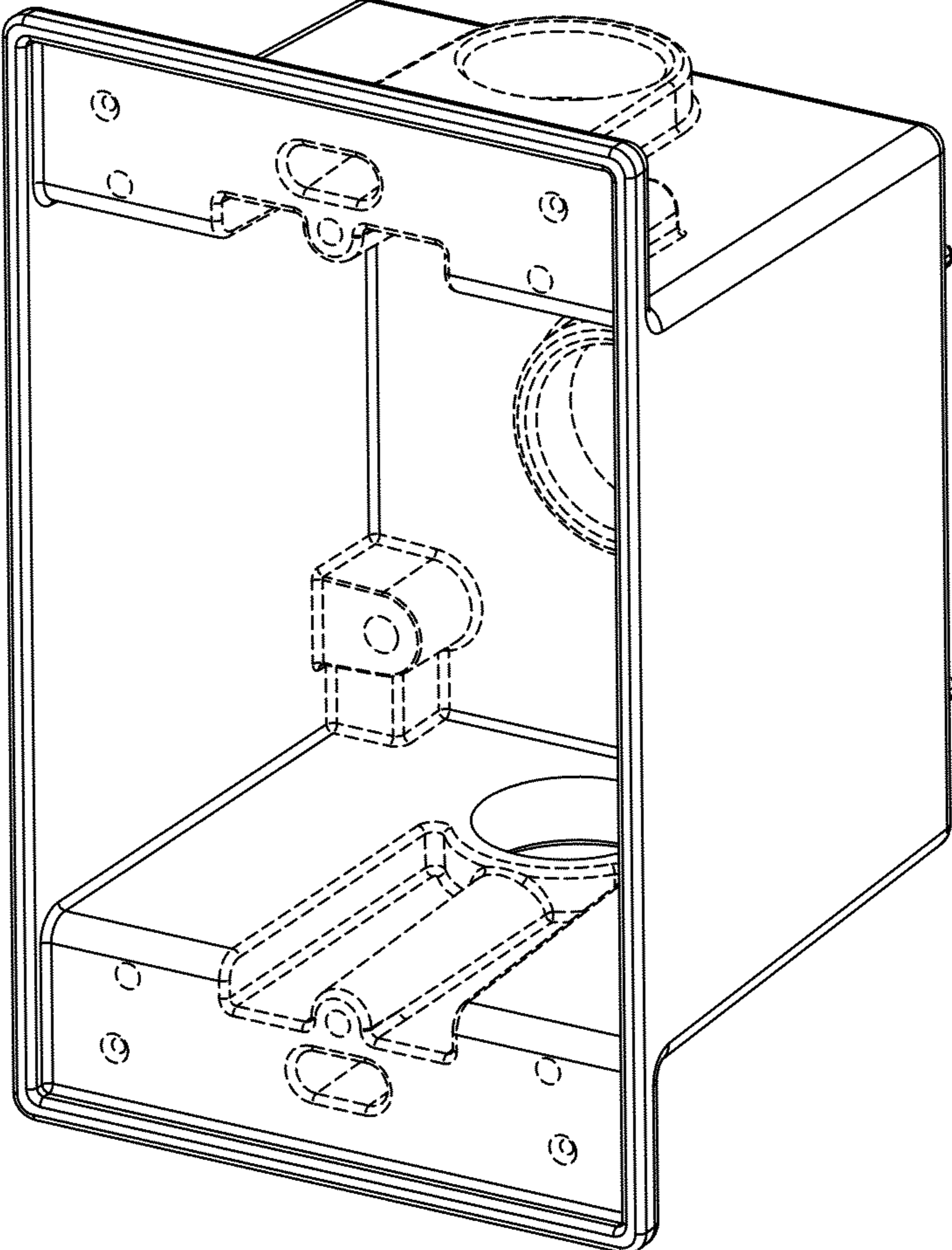


FIG. 8