



US00D700891S

(12) **United States Design Patent**
Hirakawa et al.

(10) **Patent No.:** **US D700,891 S**
(45) **Date of Patent:** **** Mar. 11, 2014**

(54) **ELECTRIC CONNECTOR**

(75) Inventors: **Takeshi Hirakawa**, Machida (JP);
Yoichi Hashimoto, Machida (JP); **Takao Yamauchi**, Machida (JP)

(73) Assignee: **Dai-Ichi Seiko Co., Ltd.**, Kyoto-shi (JP)

(**) Term: **14 Years**

(21) Appl. No.: **29/429,083**

(22) Filed: **Aug. 7, 2012**

(30) **Foreign Application Priority Data**

Feb. 17, 2012 (JP) 2012-003351

(51) **LOC (10) Cl.** **13-03**

(52) **U.S. Cl.**
USPC **D13/133**

(58) **Field of Classification Search**
USPC D13/133, 154, 184, 199; 439/63, 180,
439/188, 246, 252, 274, 278, 381, 527, 529,
439/533, 578, 583, 584, 585, 842, 852,
439/854-857, 892, 894
See application file for complete search history.

(56) **References Cited**

U.S. PATENT DOCUMENTS

6,585,532 B2 * 7/2003 Uratani et al. 439/188
7,217,137 B1 * 5/2007 Nakagawa 439/63
7,632,123 B2 * 12/2009 Nakagawa 439/188
2006/0128195 A1 * 6/2006 Chen 439/188
2013/0224992 A1 * 8/2013 Hirakawa et al. 439/578

FOREIGN PATENT DOCUMENTS

JP D1234214 3/2005
JP D1335070 7/2008

JP D1337788 8/2008
JP D1385612 4/2010
JP D1431473 1/2012

OTHER PUBLICATIONS

U.S. Appl. No. 29/405,338, filed Nov. 1, 2011, Hirakawa.
U.S. Appl. No. 29/418,243, filed Apr. 13, 2012, Hirakawa et al.
U.S. Appl. No. 13/455,404, filed Apr. 25, 2012, Hirakawa.
U.S. Appl. No. 13/455,440, filed Apr. 25, 2012, Hirakawa et al.
U.S. Appl. No. 29/429,083, filed Aug. 7, 2012, Hirakawa et al.

* cited by examiner

Primary Examiner — Thomas Johannes

(74) *Attorney, Agent, or Firm* — Oblon, Spivak,
McClelland, Maier & Neustadt, L.L.P.

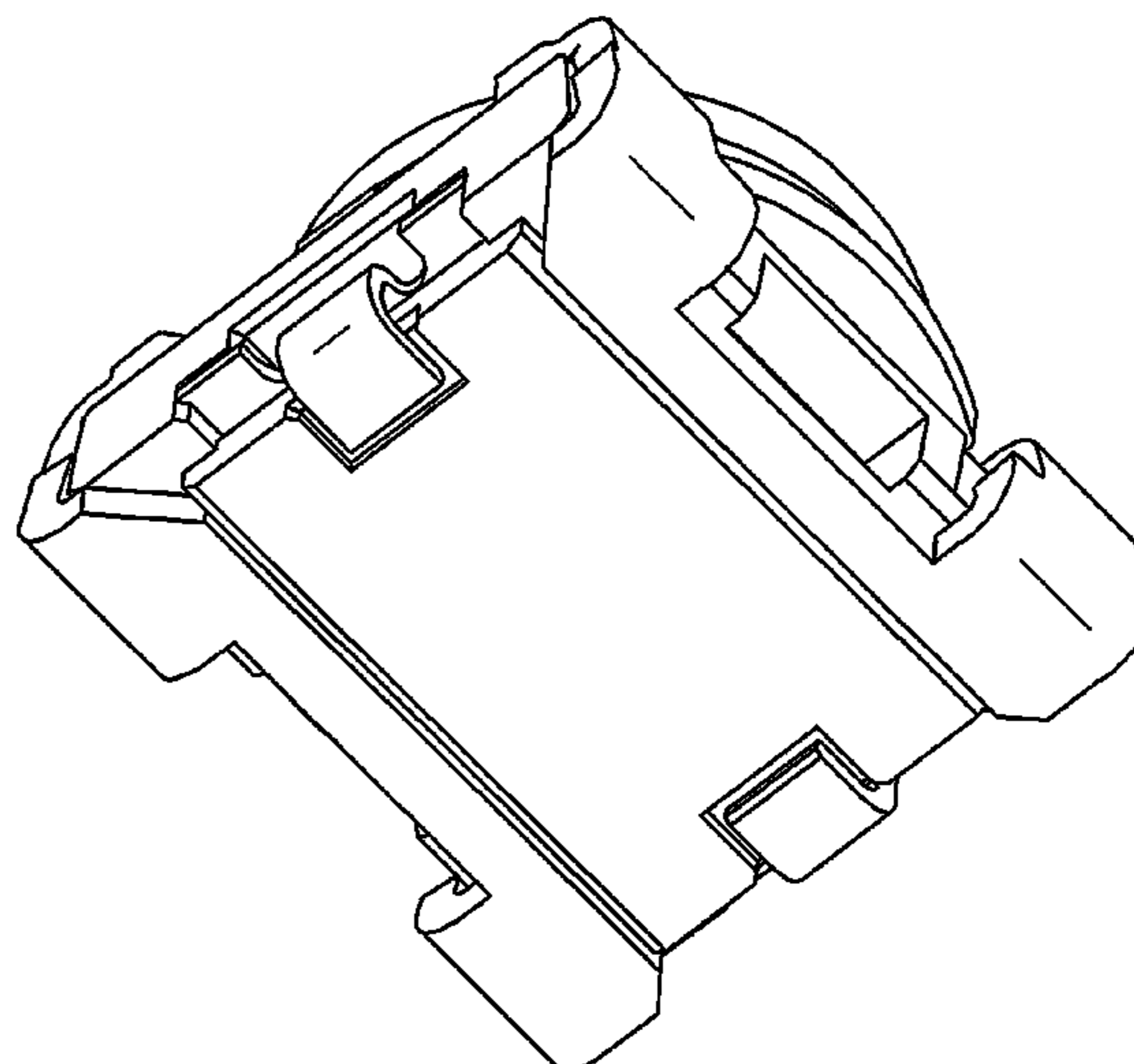
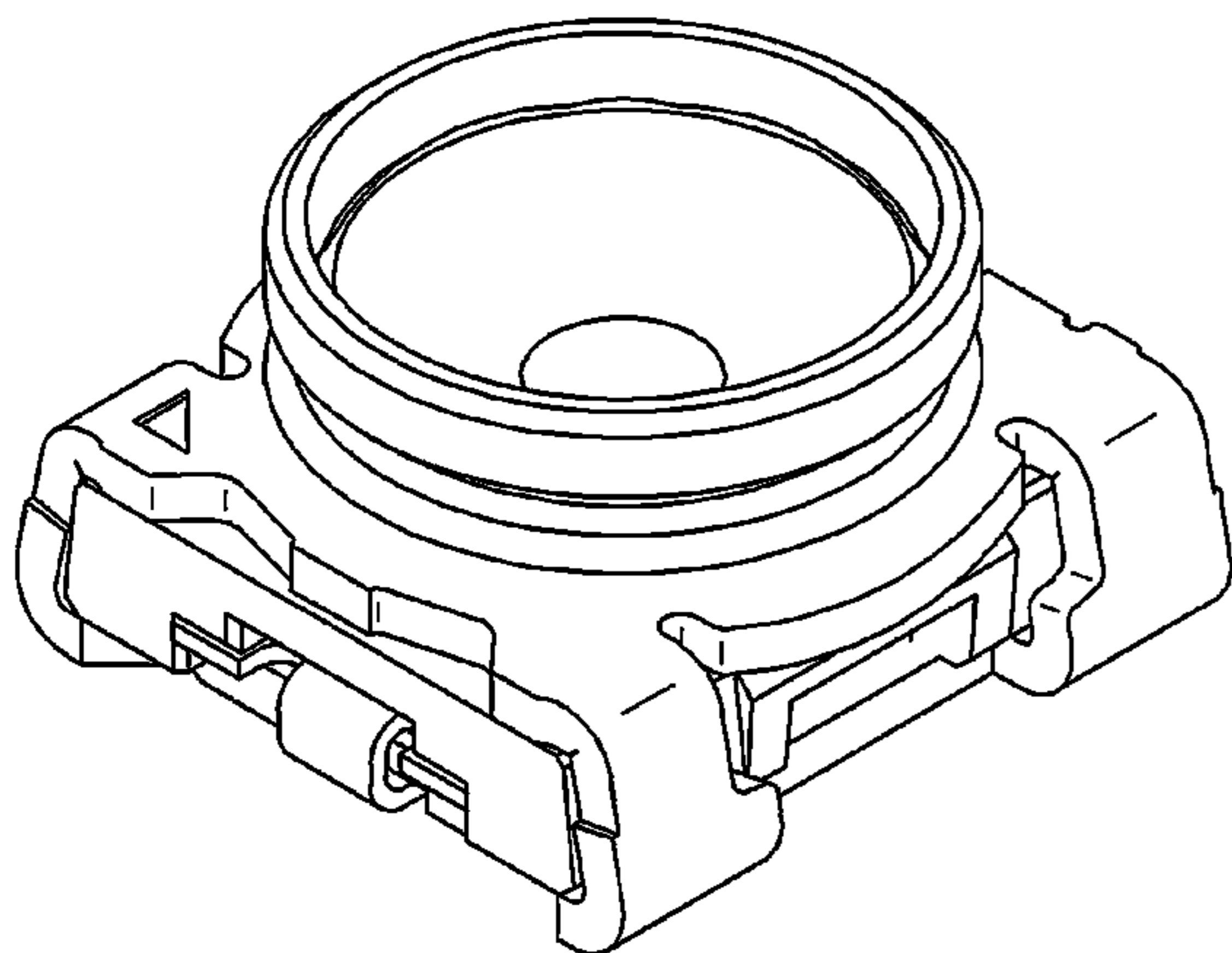
(57) **CLAIM**

The ornamental design for an electric connector, as shown and described.

DESCRIPTION

FIG. 1 is a top plan view of an electric connector showing my new design;
FIG. 2 is a front elevational view thereof;
FIG. 3 is a bottom plan view thereof;
FIG. 4 is a rear elevational view thereof;
FIG. 5 is a right side elevational view thereof;
FIG. 6 is a front, top, and right side perspective view thereof;
and,
FIG. 7 is a front, bottom, and right side perspective view thereof.
The broken lines in the drawings depict unclaimed environmental subject matter only and form no part of the claimed design.

1 Claim, 7 Drawing Sheets



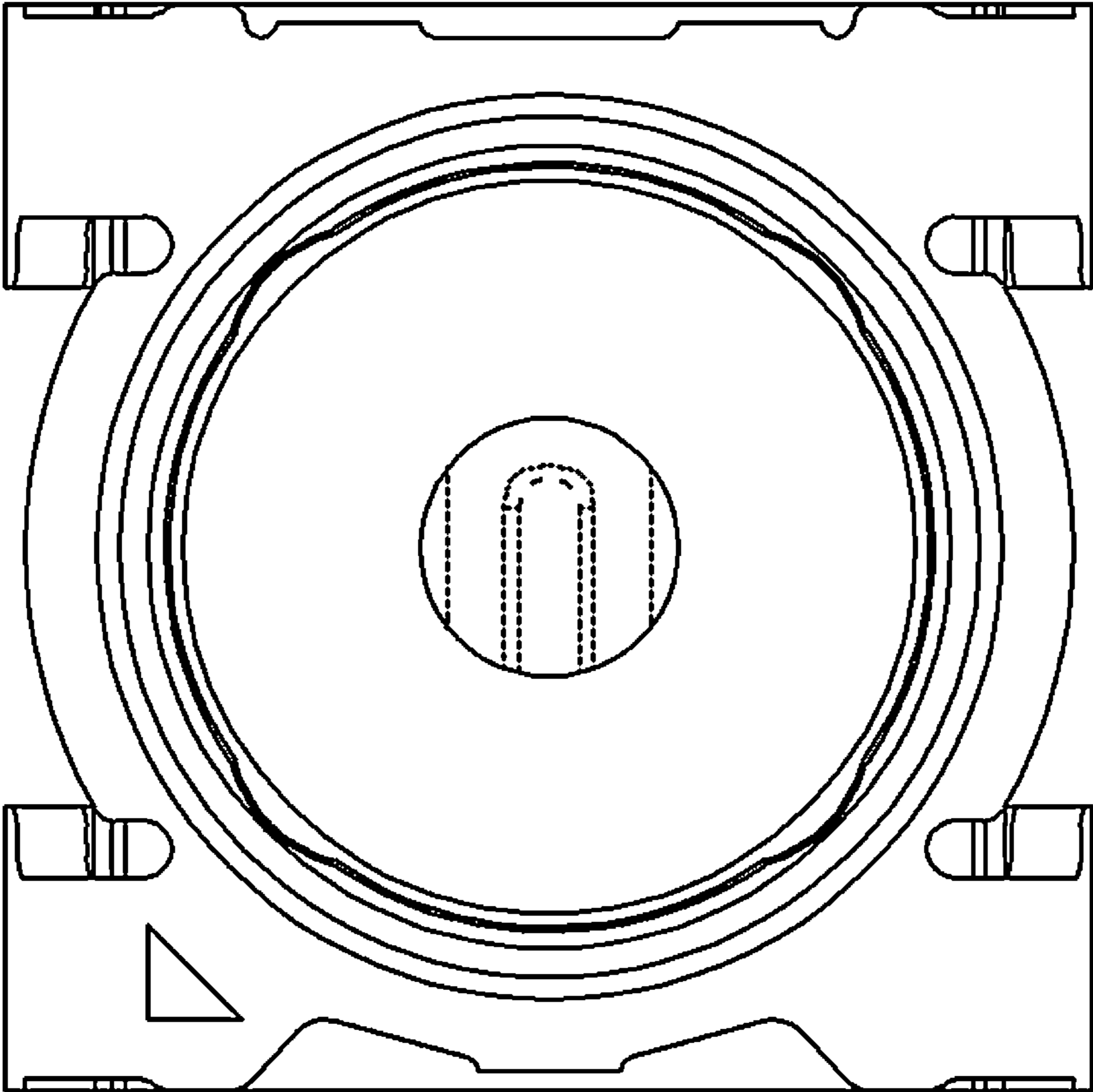


FIG. 1

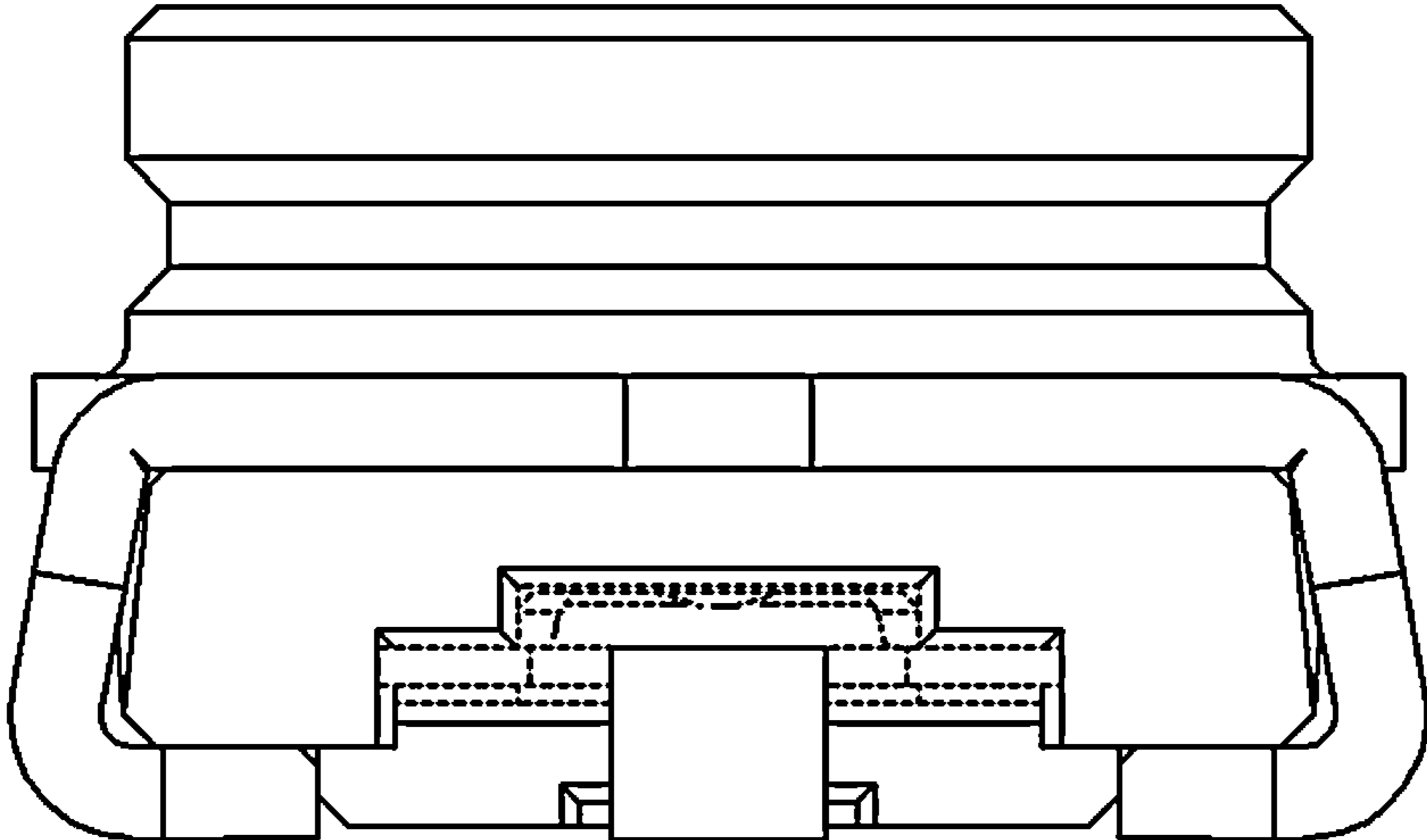


FIG.2

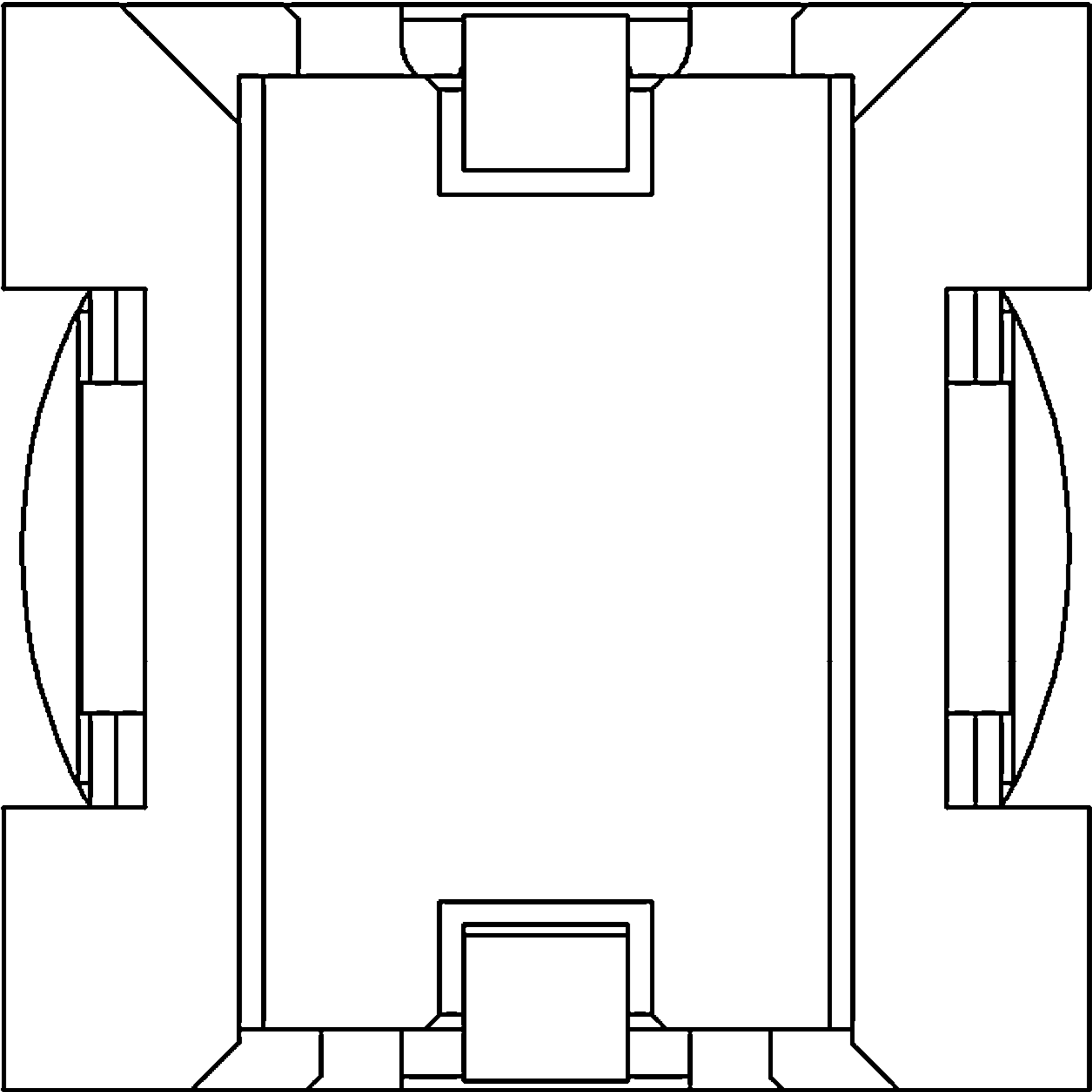


FIG. 3

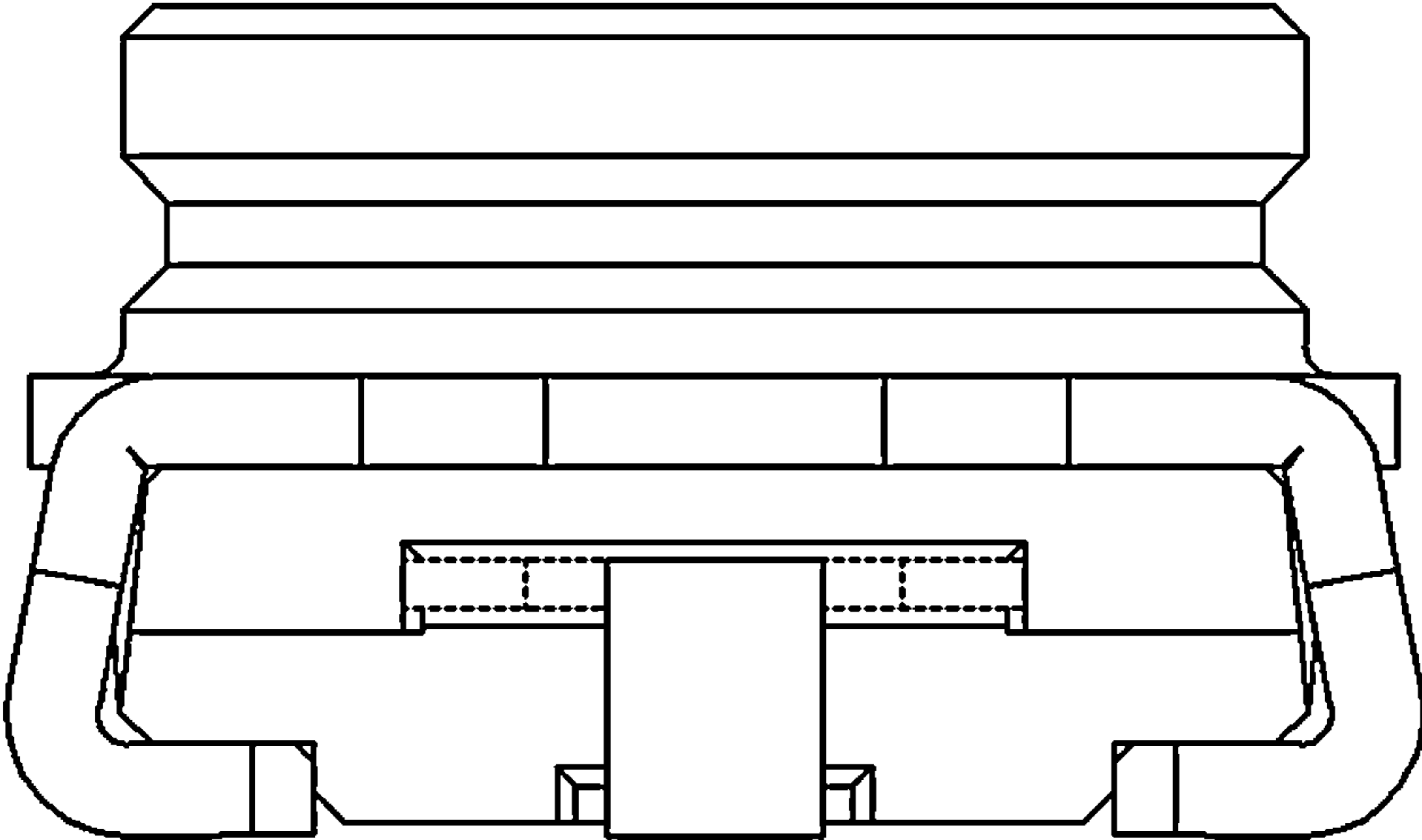


FIG.4

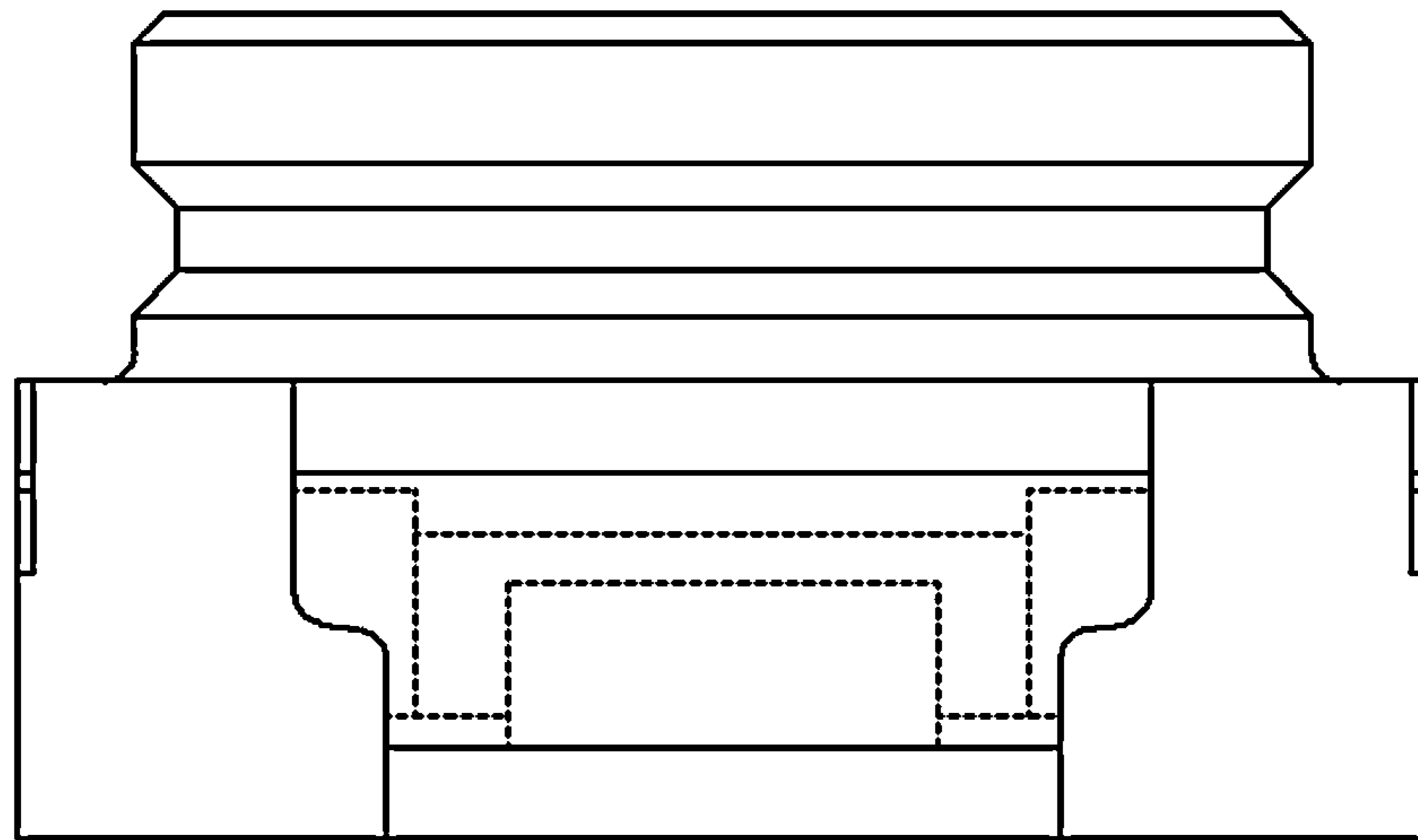


FIG.5

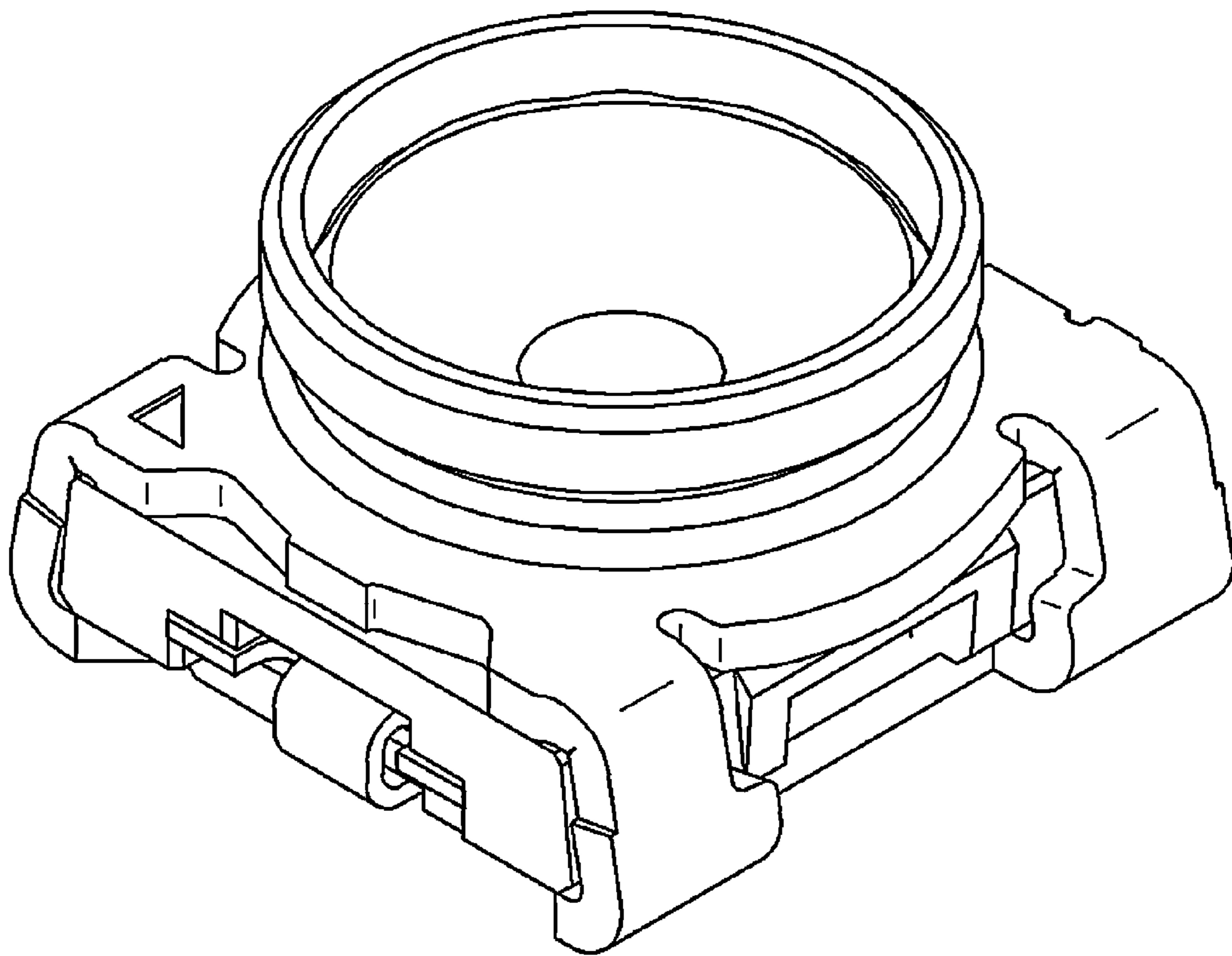


FIG.6

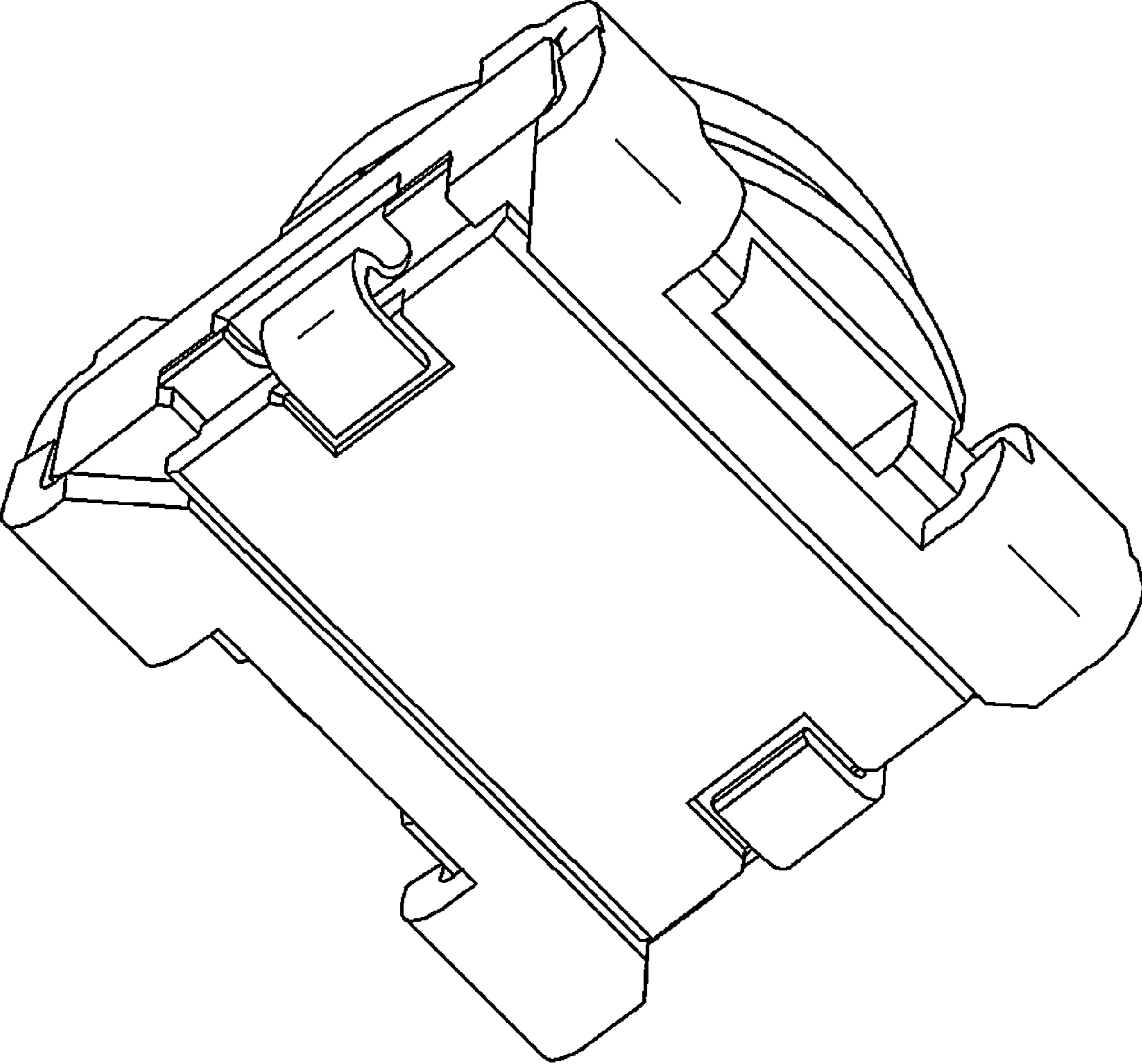


FIG.7