



US00D700890S

(12) **United States Design Patent**
Umeda et al.

(10) **Patent No.:** **US D700,890 S**
(45) **Date of Patent:** **** Mar. 11, 2014**

(54) **STATOR**

(75) Inventors: **Atsushi Umeda**, Okazaki (JP); **Atsuo Ishizuka**, Nagoya (JP)

(73) Assignee: **Denso Corporation**, Kariya (JP)

(**) Term: **14 Years**

(21) Appl. No.: **29/394,171**

(22) Filed: **Jun. 14, 2011**

(30) **Foreign Application Priority Data**

Jan. 13, 2011 (JP) 2011-573
Jan. 13, 2011 (JP) 2011-574

(51) **LOC (10) Cl.** **13-01**

(52) **U.S. Cl.**
USPC **D13/122**

(58) **Field of Classification Search**
USPC D13/118, 122, 184, 199; 29/596, 732,
29/735, 736; 310/49, 68 B, 201, 263, 264
See application file for complete search history.

(56) **References Cited**

U.S. PATENT DOCUMENTS

D469,740 S * 2/2003 Oohashi et al. D13/118
D476,295 S * 6/2003 Oohashi et al. D13/118
6,661,146 B2 * 12/2003 Oohashi et al. 310/180
6,791,228 B2 * 9/2004 Hashiba et al. 310/201
6,951,054 B2 10/2005 Hirota et al.
D596,121 S * 7/2009 Okamoto et al. D13/122

2006/0123621 A1 * 6/2006 Akita et al. 29/596
2009/0096313 A1 * 4/2009 Harada et al. 310/201
2011/0001373 A1 * 1/2011 Mori et al. 310/71

OTHER PUBLICATIONS

Chinese Office Action dated Aug. 25, 2011, issued in corresponding Chinese Application No. 201130083654.2 with English Translation.
Chinese Office Action dated Jun. 23, 2011, issued in corresponding Chinese Application No. 201130083654.2 with English Translation.

* cited by examiner

Primary Examiner — Derrick Holland

Assistant Examiner — Lauren Calve

(74) *Attorney, Agent, or Firm* — Nixon & Vanderhye P.C.

(57) **CLAIM**

The ornamental design for a stator, as shown and described.

DESCRIPTION

FIG. 1 is a perspective view of a stator according to the present design;
FIG. 2 is a top view thereof;
FIG. 3 is a left side view thereof;
FIG. 4 is a front view thereof;
FIG. 5 is a right side view thereof;
FIG. 6 is a back view thereof;
FIG. 7 is a bottom view thereof; and,
FIG. 8 is a cross-sectional view thereof taken along lines 8-8 in FIG. 2.

1 Claim, 4 Drawing Sheets

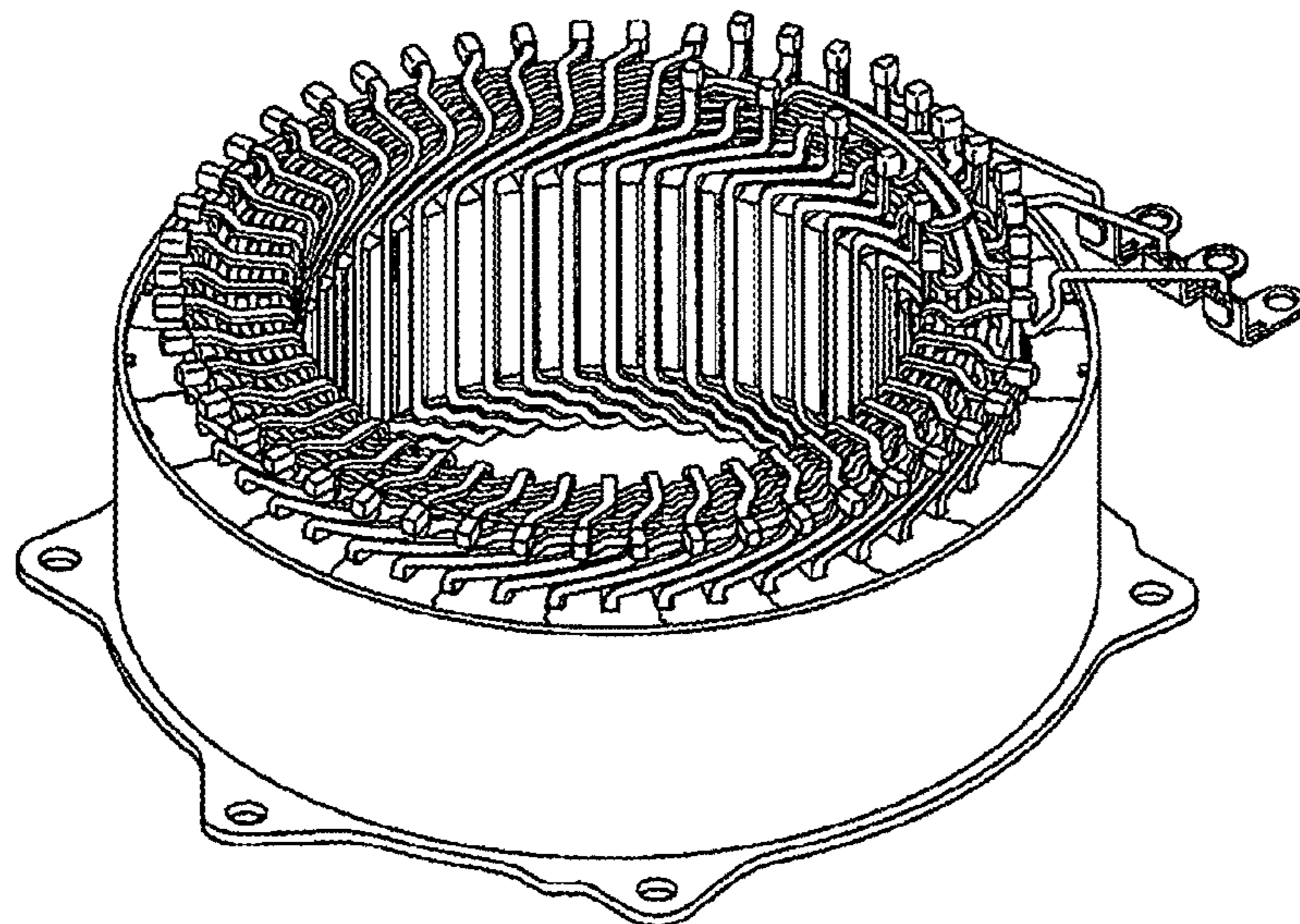


FIG. 1

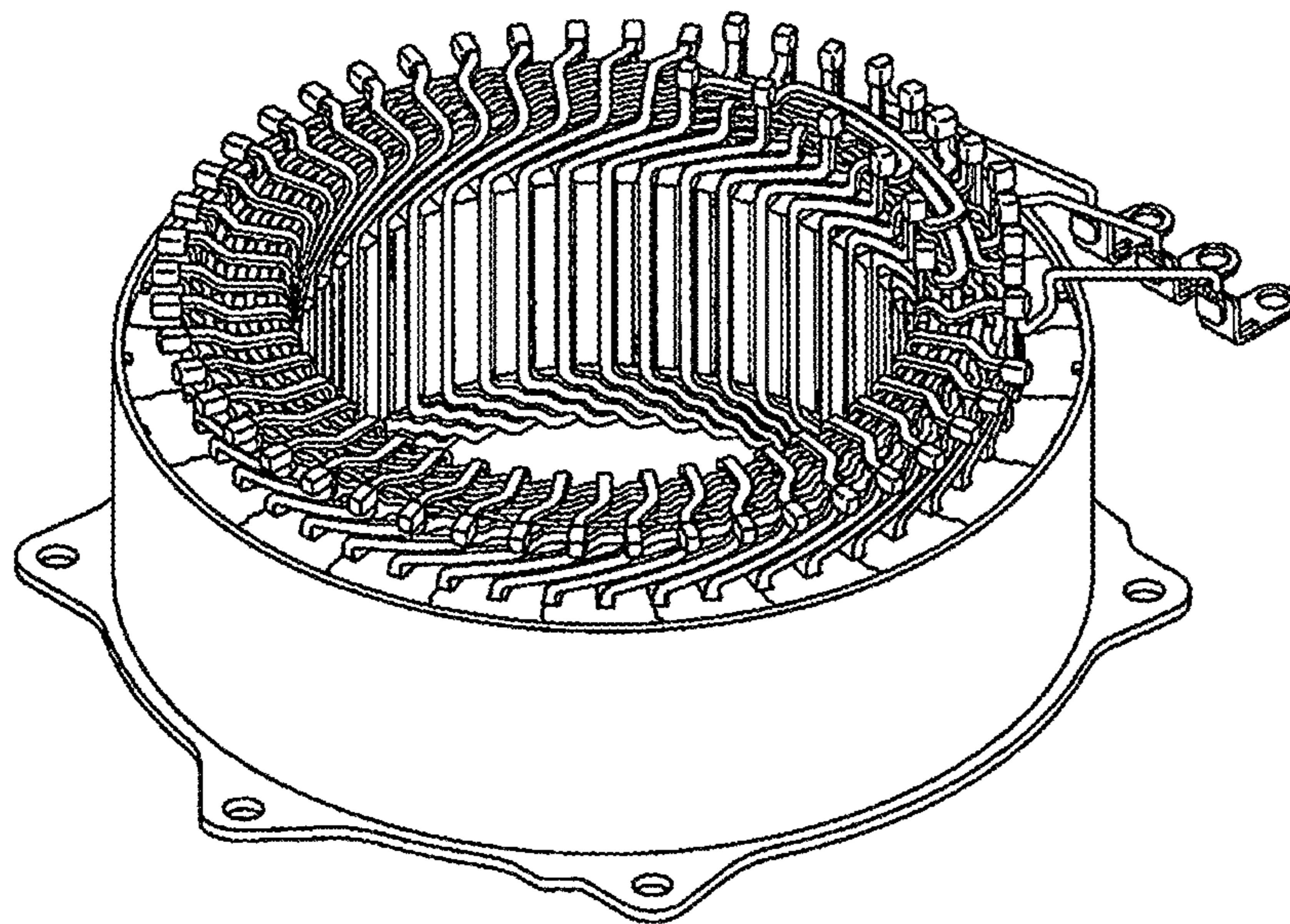


FIG. 2

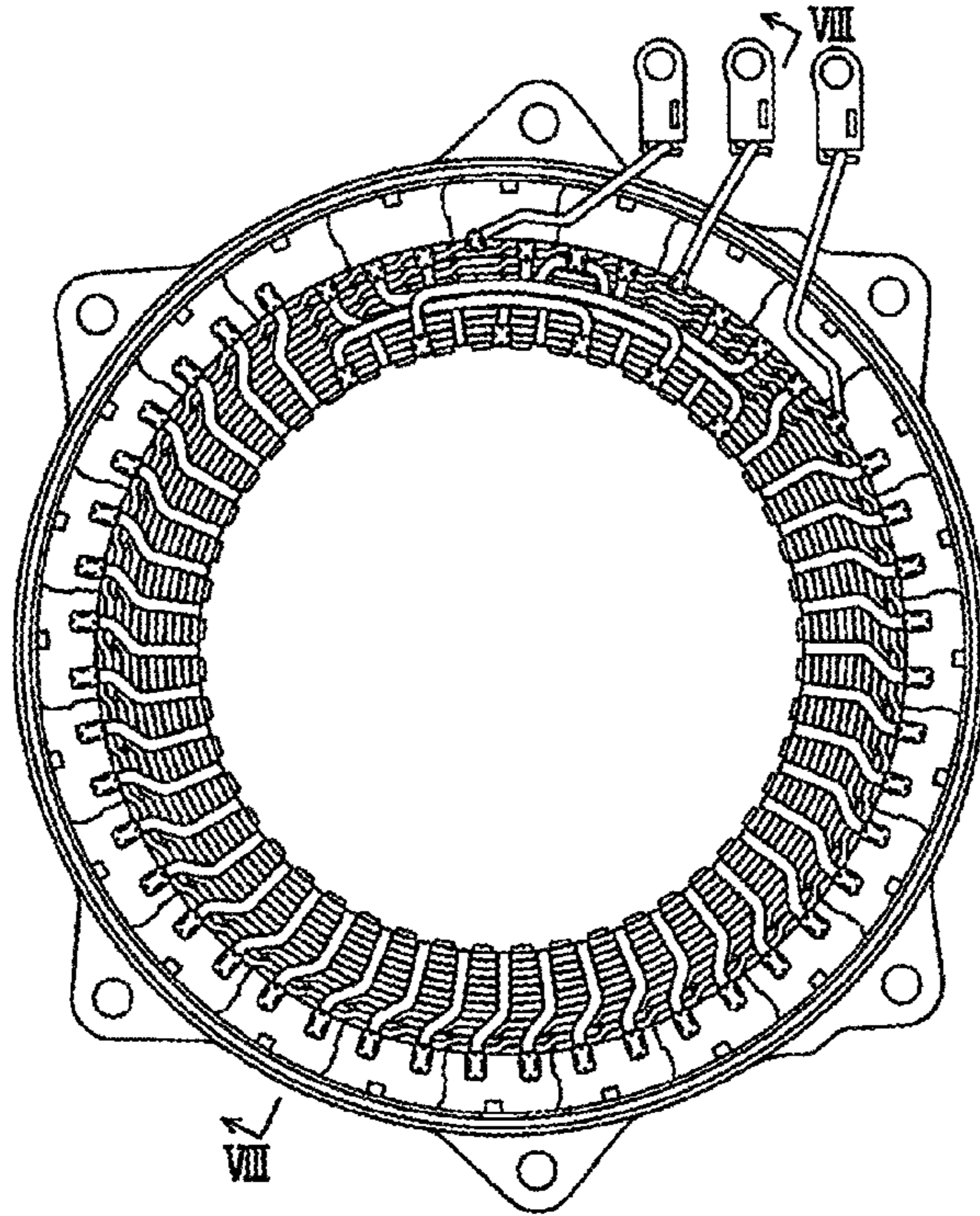


FIG. 3

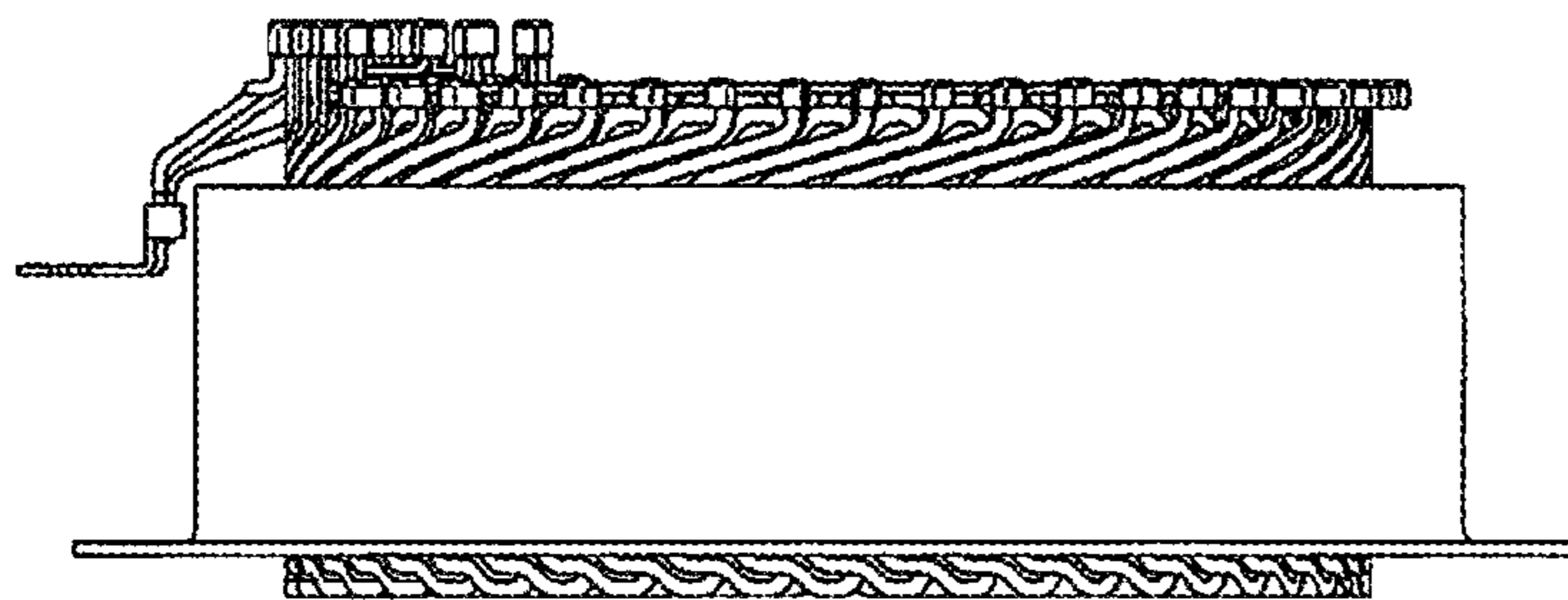


FIG. 4

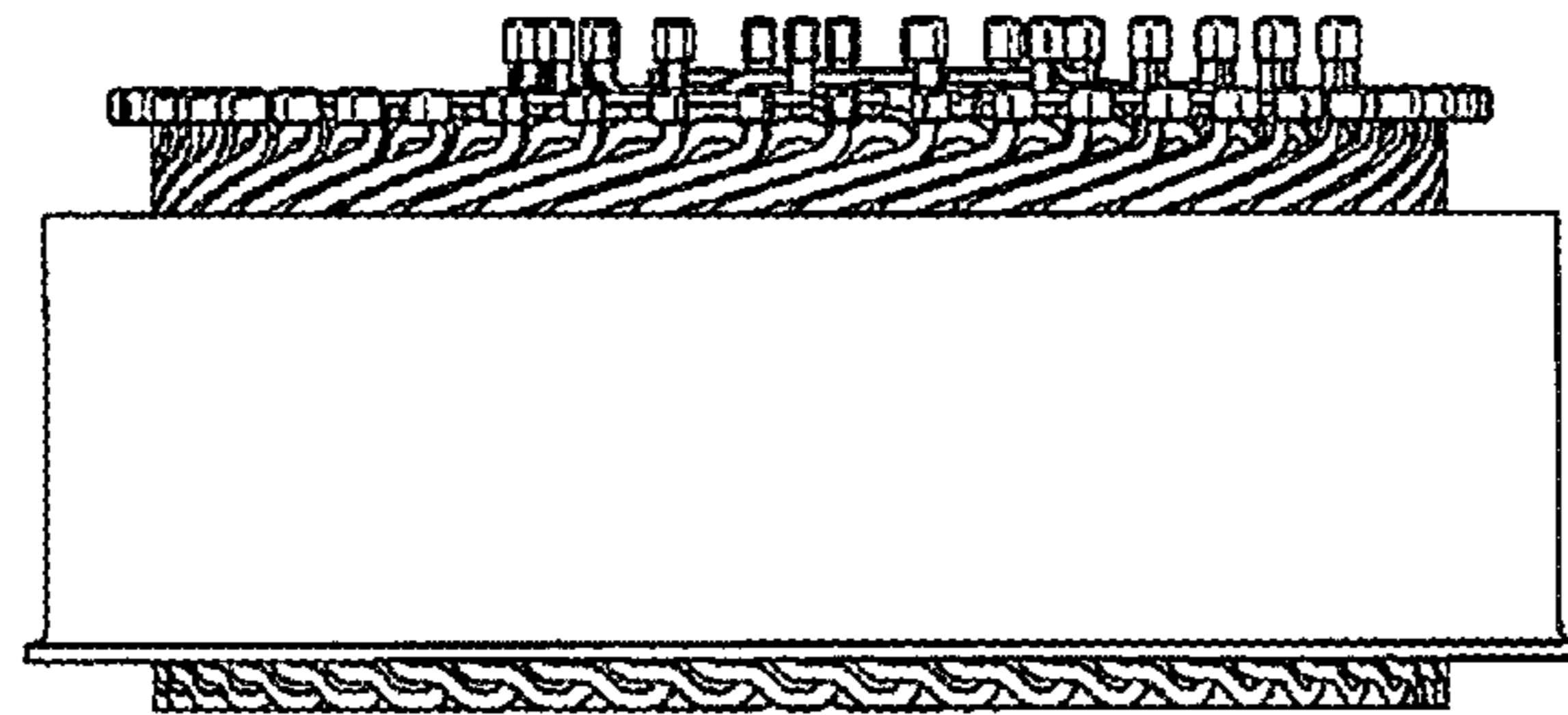


FIG. 5

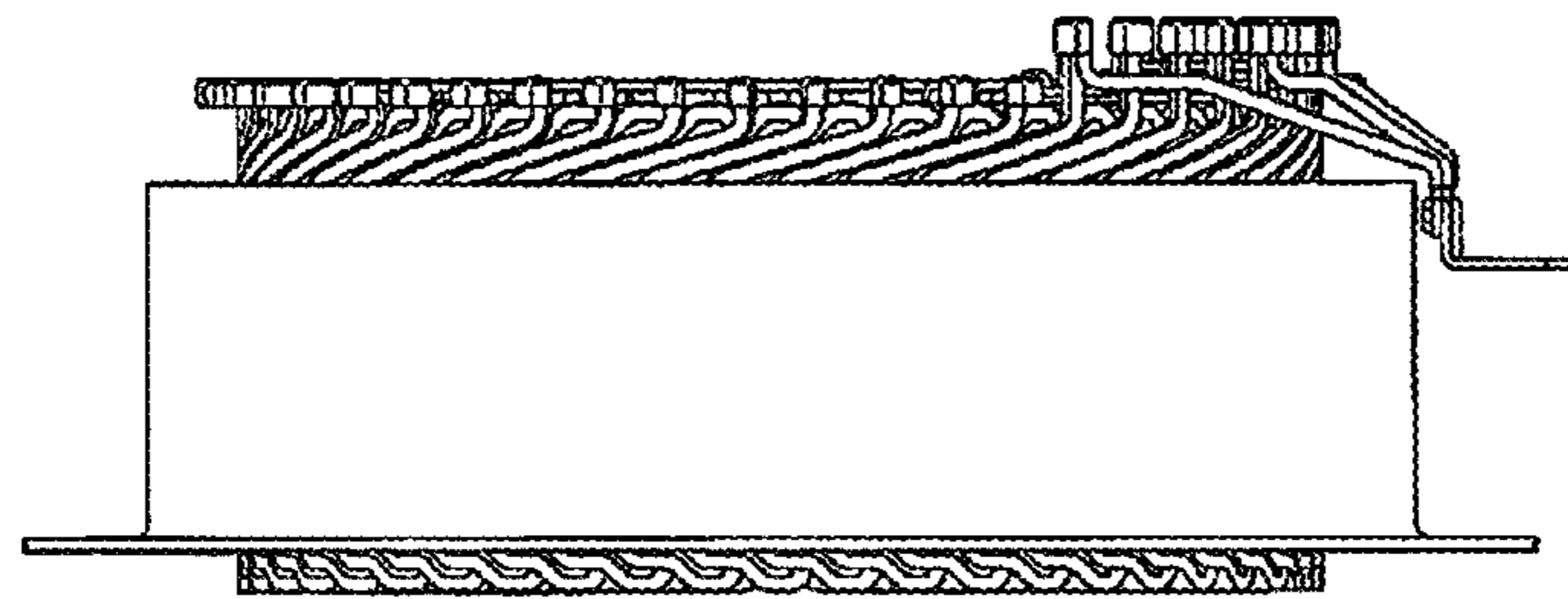


FIG. 6

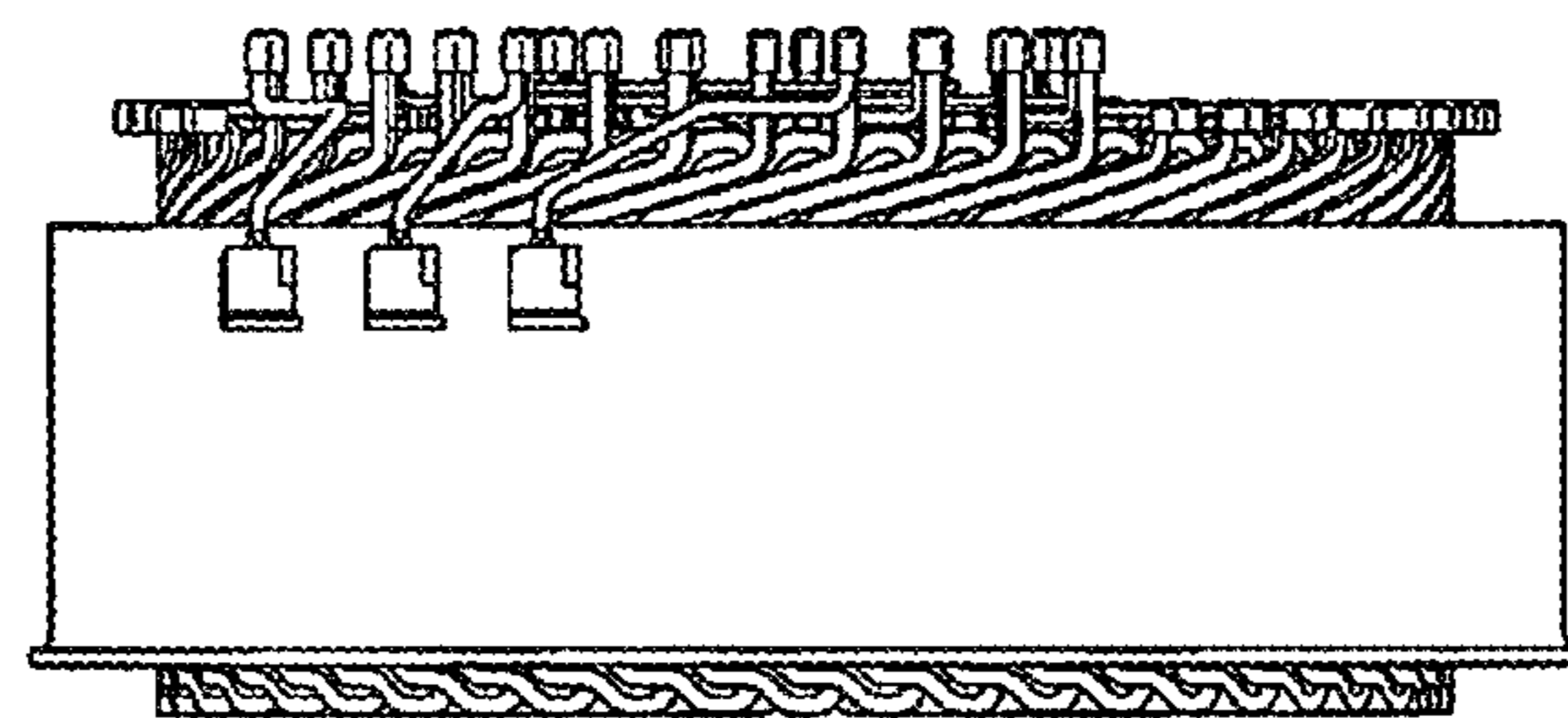


FIG. 7

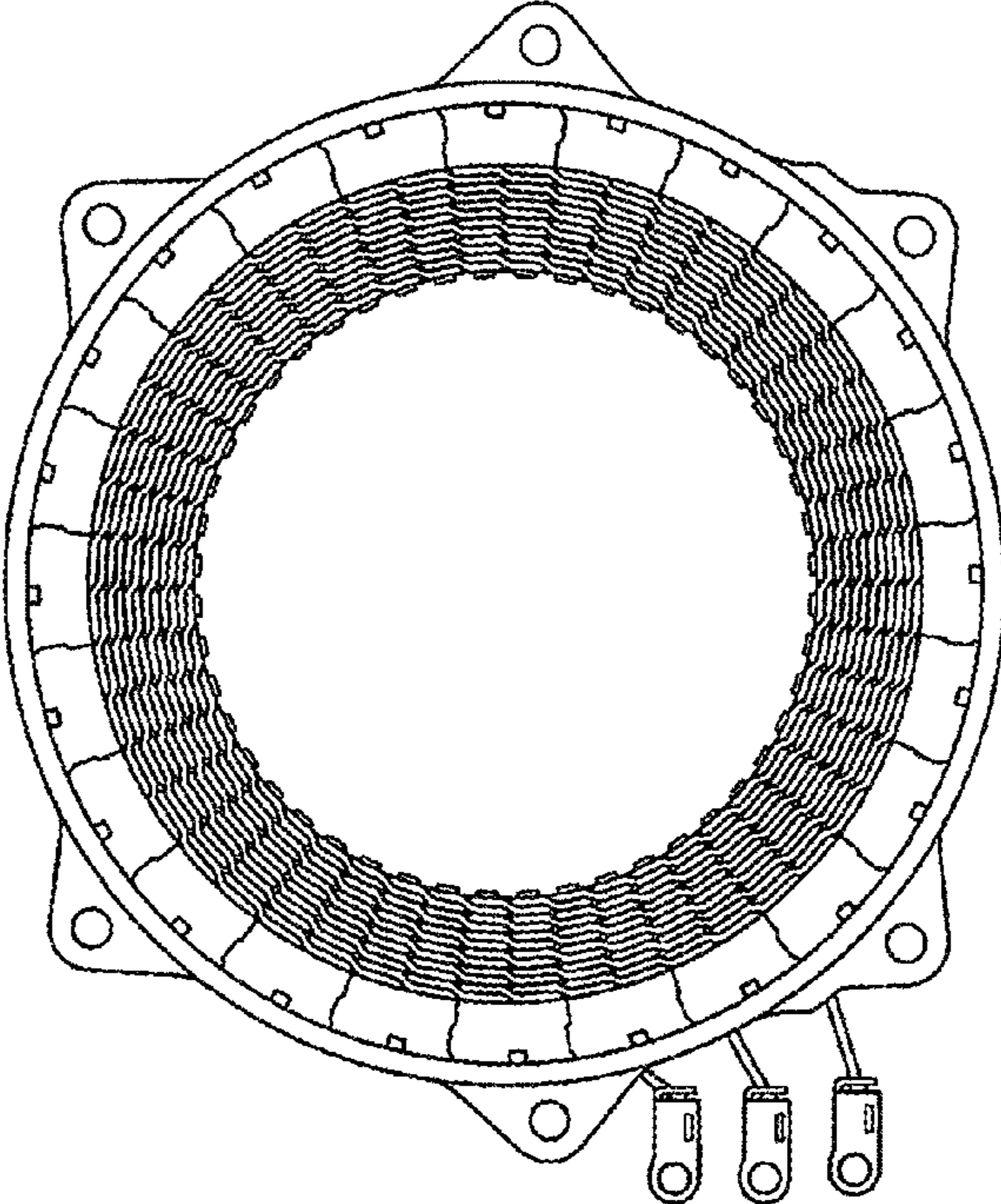


FIG. 8

