



US00D700889S

(12) **United States Design Patent**
Smail

(10) **Patent No.:** **US D700,889 S**
(45) **Date of Patent:** **** Mar. 11, 2014**

(54) **ELECTRIC FENCE GATE DISCONNECT DEVICE**

(71) Applicant: **Charlotte O. Smail**, McMinnville, OR (US)

(72) Inventor: **Charlotte O. Smail**, McMinnville, OR (US)

(**) Term: **14 Years**

(21) Appl. No.: **29/436,975**

(22) Filed: **Nov. 12, 2012**

Related U.S. Application Data

(63) Continuation of application No. 12/572,788, filed on Oct. 2, 2009.

(51) **LOC (10) Cl.** **13-02**

(52) **U.S. Cl.**
USPC **D13/111; D13/155**

(58) **Field of Classification Search**
USPC D13/111, 101, 118, 123, 133, 199;
200/52 R, 293, 571; 256/10, 17, 39,
256/40-44; 307/64, 149, 154
See application file for complete search history.

(56) **References Cited**

U.S. PATENT DOCUMENTS

D117,417 S * 10/1939 Ives D13/111
2,546,429 A * 3/1951 Carr 256/10
3,025,377 A 3/1962 Murray

4,077,611 A 3/1978 Wilson
4,162,783 A 7/1979 Crist, Jr.
4,692,567 A 9/1987 Crum
D301,545 S 6/1989 Wrigley
5,412,158 A * 5/1995 Yearwood 174/163 F
5,975,501 A 11/1999 Berg et al.
5,992,828 A 11/1999 Burdick
D419,957 S * 2/2000 Burdick D13/111
6,036,175 A * 3/2000 Harper 256/1
6,296,233 B1 10/2001 Berg et al.
D474,104 S 5/2003 Spruill
6,585,234 B2 7/2003 Berto
7,887,028 B2 * 2/2011 Reid 256/10

* cited by examiner

Primary Examiner — Derrick Holland

(74) *Attorney, Agent, or Firm* — Robert C Montgomery; Montgomery Patent & Design

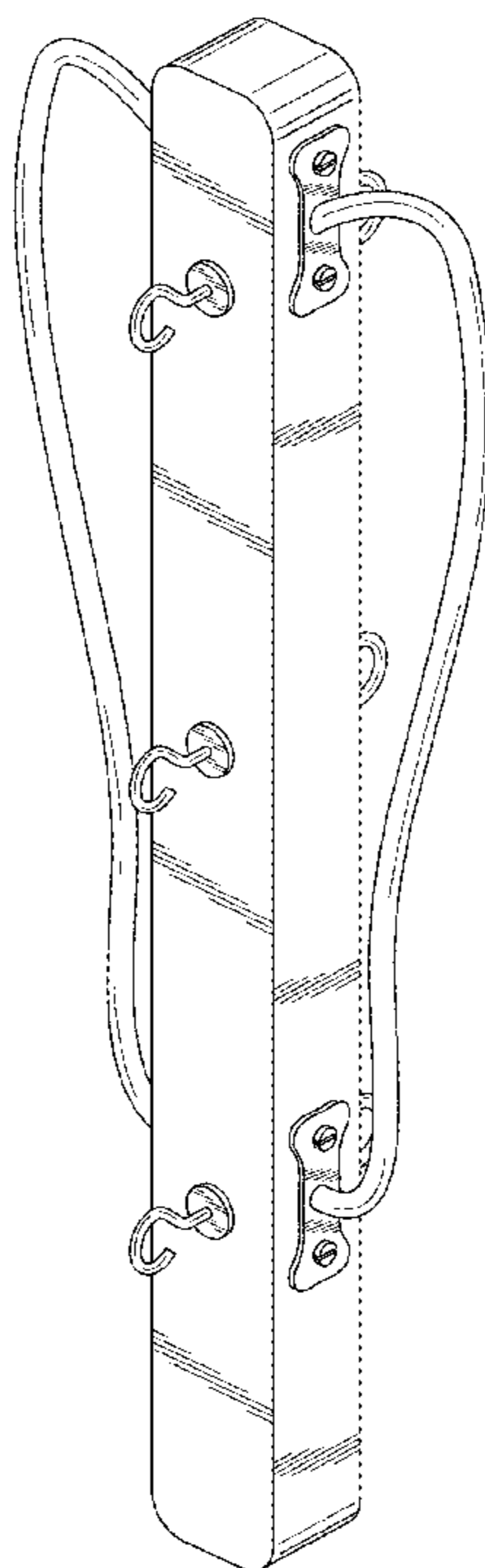
(57) **CLAIM**

The ornamental design for an electric fence gate disconnect device, as shown and described.

DESCRIPTION

FIG. 1 is a front perspective view of an electric fence gate disconnect device, showing my new design;
FIG. 2 is a rear perspective view thereof;
FIG. 3 is a front view thereof;
FIG. 4 is a rear view thereof;
FIG. 5 is a left view thereof, with a right view being a mirror image;
FIG. 6 is a top view thereof; and,
FIG. 7 is a bottom view thereof.

1 Claim, 6 Drawing Sheets



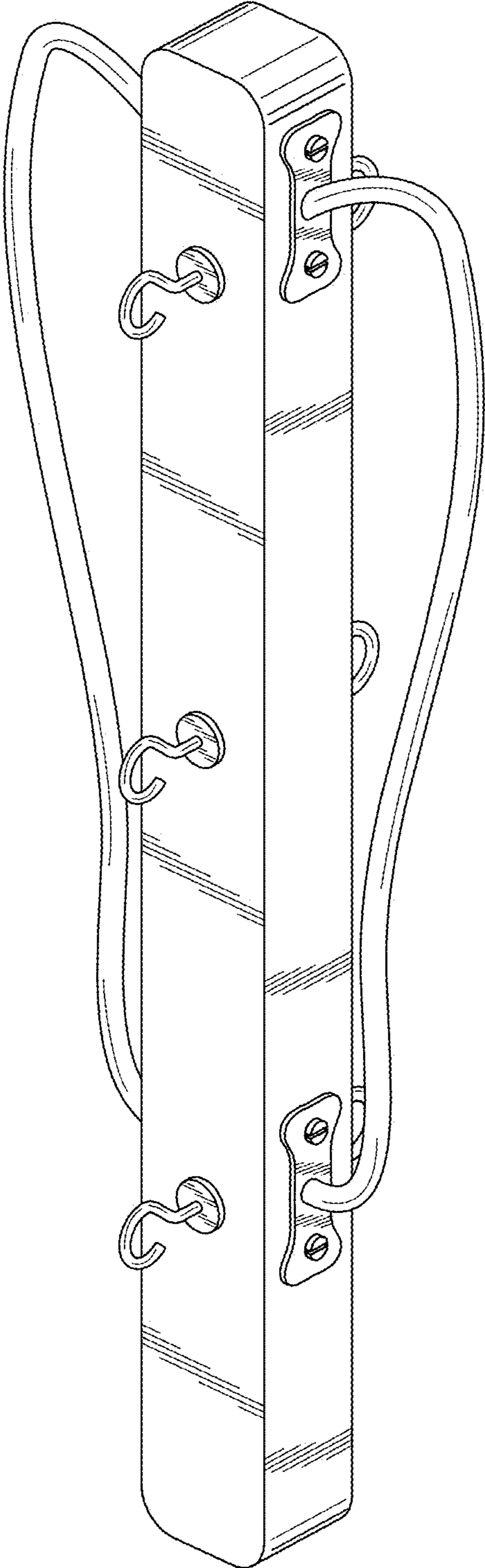


Fig. 1

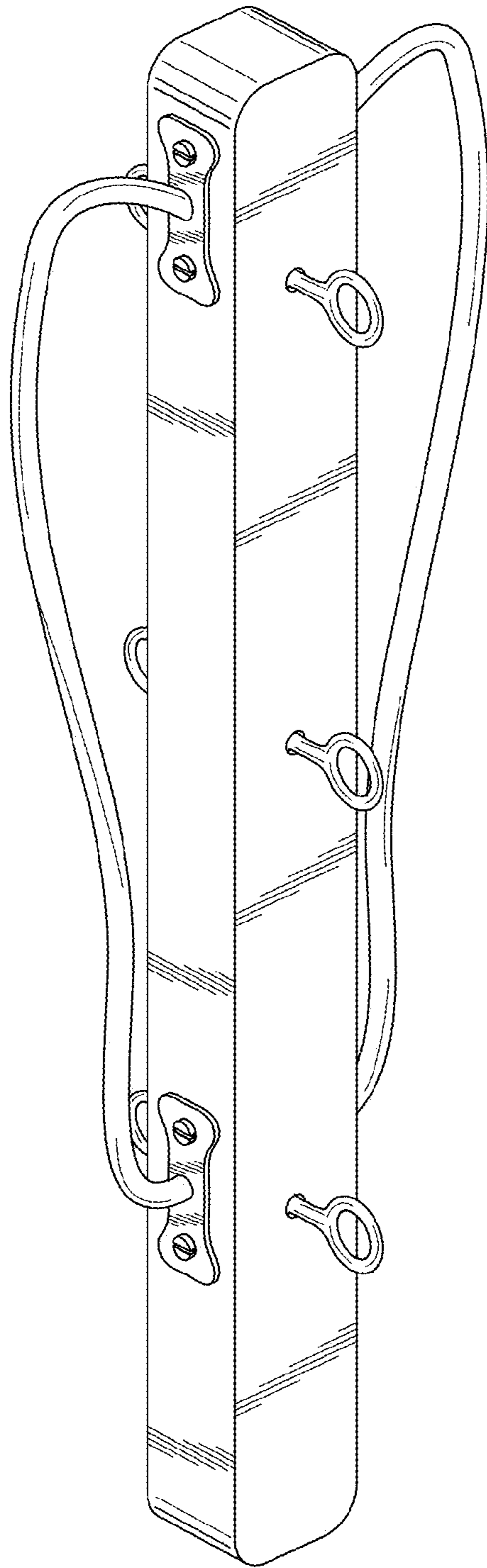


Fig. 2

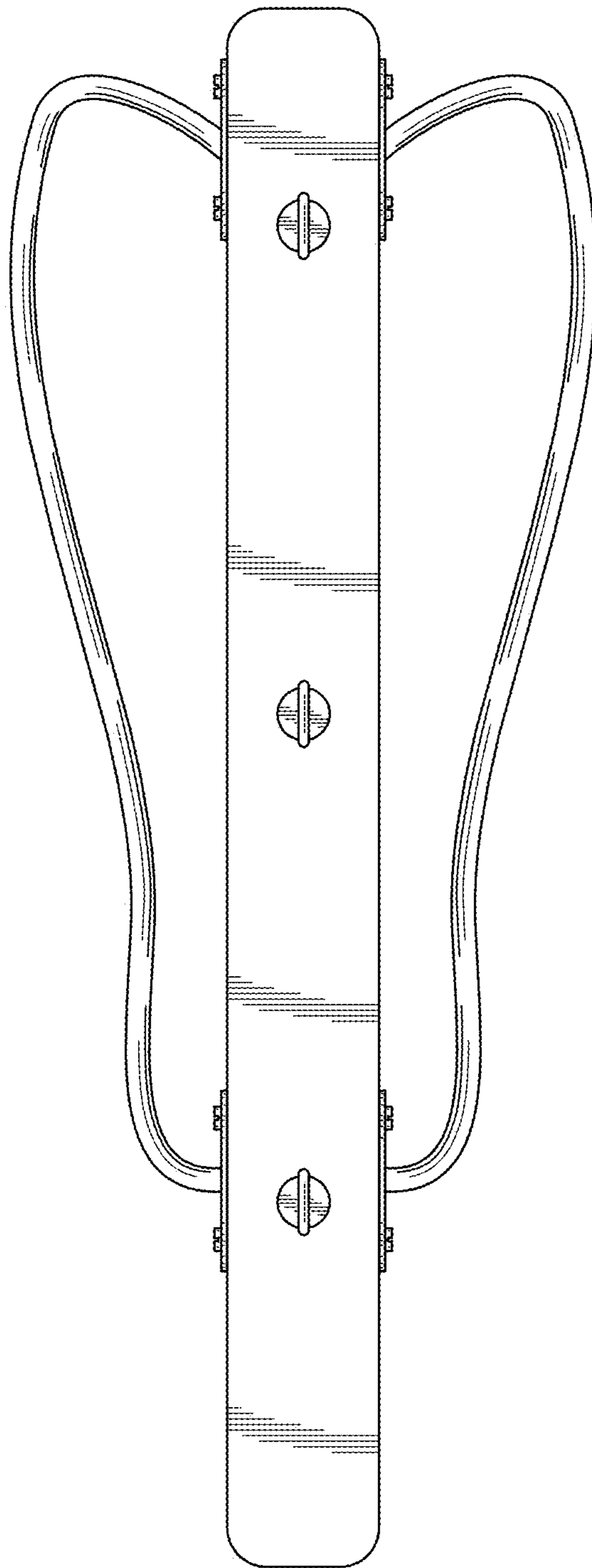


Fig. 3

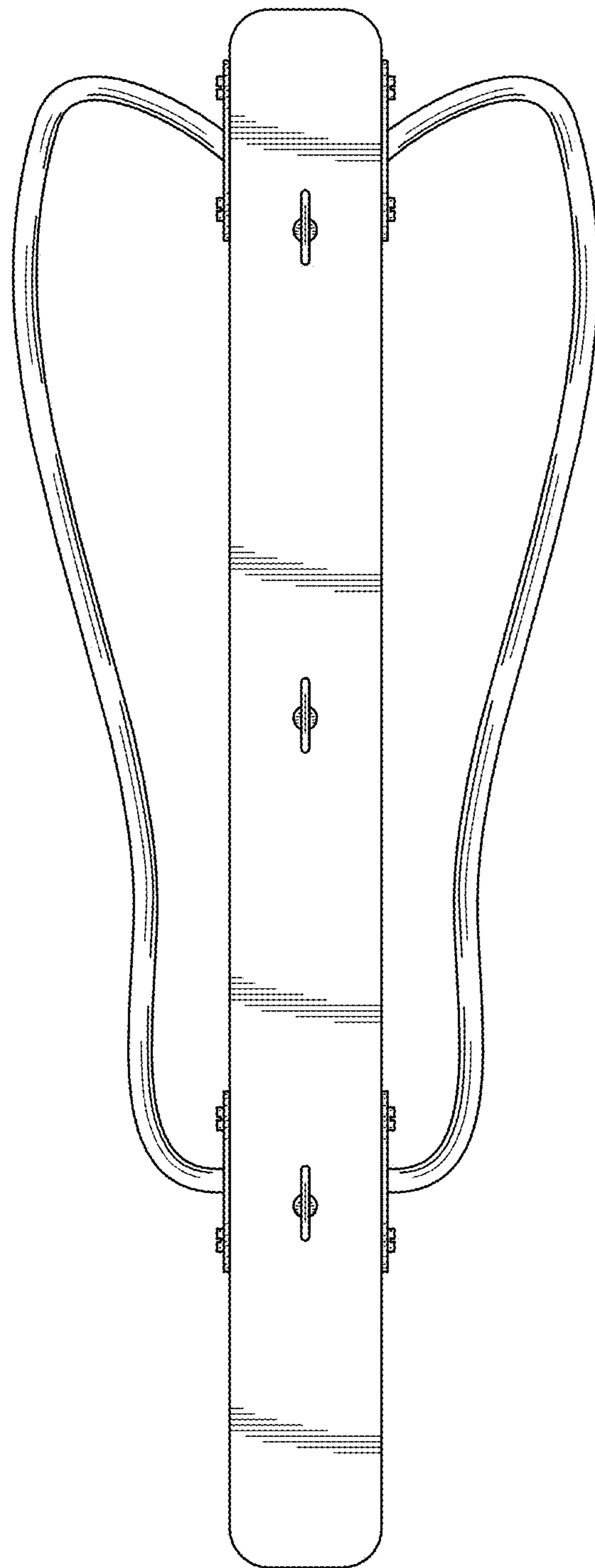


Fig. 4

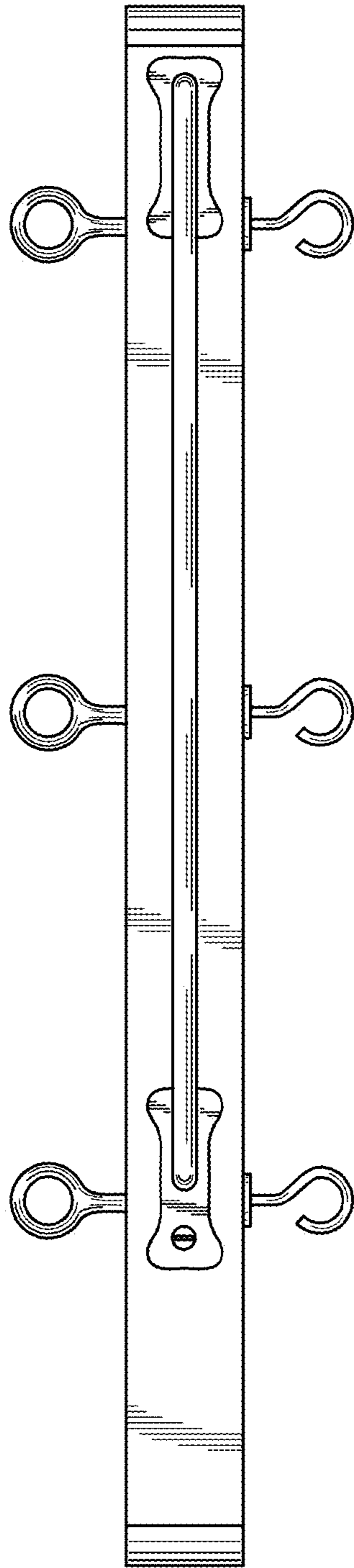


Fig. 5

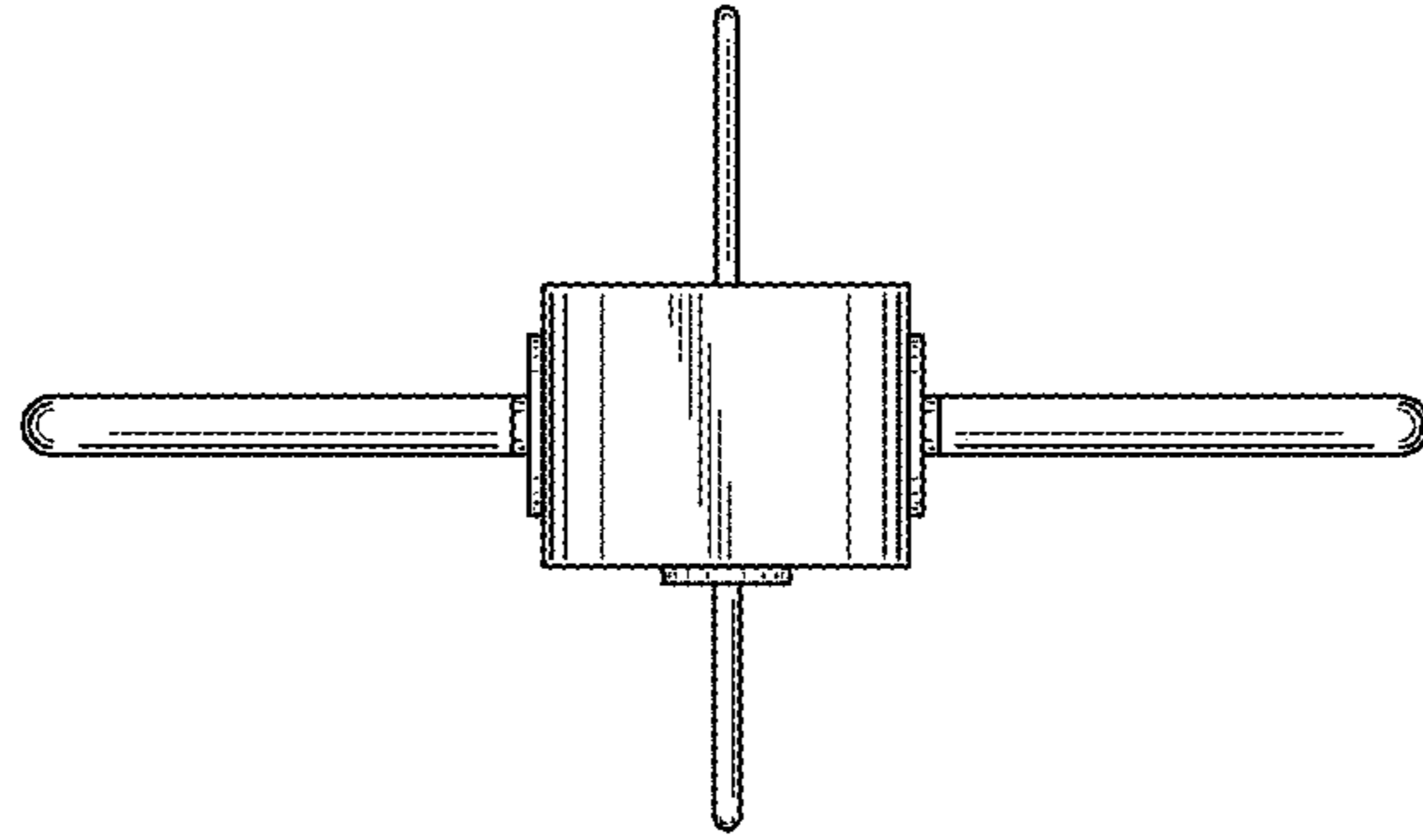


Fig. 6

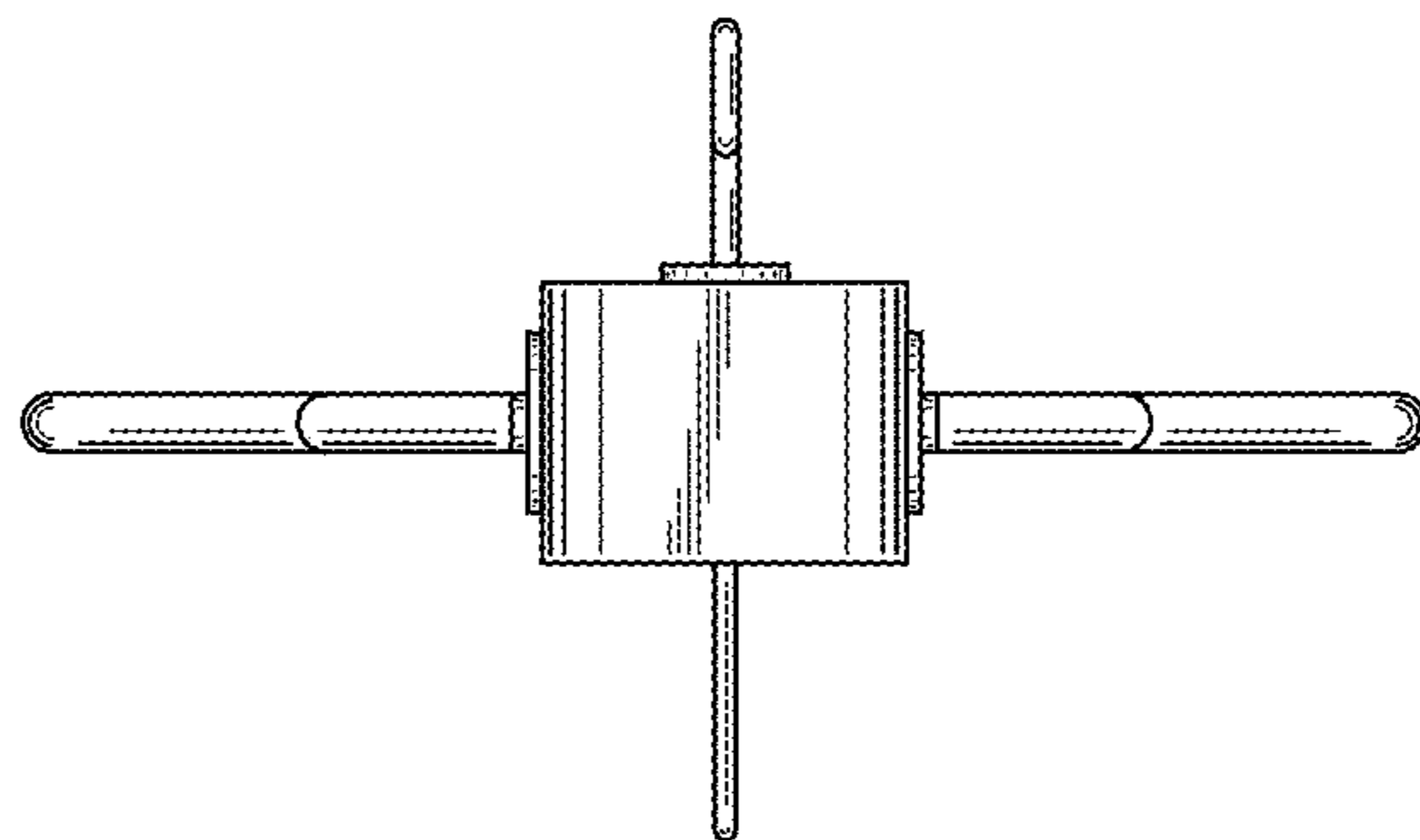


Fig. 7