



US00D700888S

(12) **United States Design Patent**  
**Serfoss**

(10) **Patent No.:** **US D700,888 S**

(45) **Date of Patent:** **\*\* Mar. 11, 2014**

(54) **TABLE TOP CHARGING SYSTEM FOR ELECTRONIC DEVICES**

(71) Applicant: **Eric Michael Serfoss**, Katy, TX (US)

(72) Inventor: **Eric Michael Serfoss**, Katy, TX (US)

(\*\*) Term: **14 Years**

(21) Appl. No.: **29/451,686**

(22) Filed: **Apr. 5, 2013**

(51) **LOC (10) Cl.** ..... **13-02**

(52) **U.S. Cl.**  
USPC ..... **D13/108**

(58) **Field of Classification Search**  
USPC ..... D13/107-110, 118-119, 184, 199;  
D14/251, 253, 432, 434, 447;  
320/107-115

See application file for complete search history.

(56) **References Cited**

**U.S. PATENT DOCUMENTS**

D313,221 S *	12/1990	Skully et al. ....	D13/108
D338,471 S *	8/1993	Evenson et al. ....	D14/251
D547,319 S *	7/2007	Chang ..... ..	D14/454
D549,707 S *	8/2007	Depay ..... ..	D14/434
D569,380 S *	5/2008	Beilstein et al. ....	D14/447
D611,897 S *	3/2010	Tirone et al. ....	D13/107

D638,019 S *	5/2011	Weisshaupt ..... ..	D14/434
D652,834 S *	1/2012	Jones et al. .... ..	D14/434
D655,293 S *	3/2012	Gioscia et al. .... ..	D14/434
D666,995 S *	9/2012	TerMeer ..... ..	D14/217
D677,669 S *	3/2013	Liu ..... ..	D14/447
D680,068 S *	4/2013	Lee ..... ..	D13/108
D693,815 S *	11/2013	Son ..... ..	D14/434

\* cited by examiner

*Primary Examiner* — Rosemary K Tarcza

(74) *Attorney, Agent, or Firm* — Patterson & Sheridan, LLP

(57) **CLAIM**

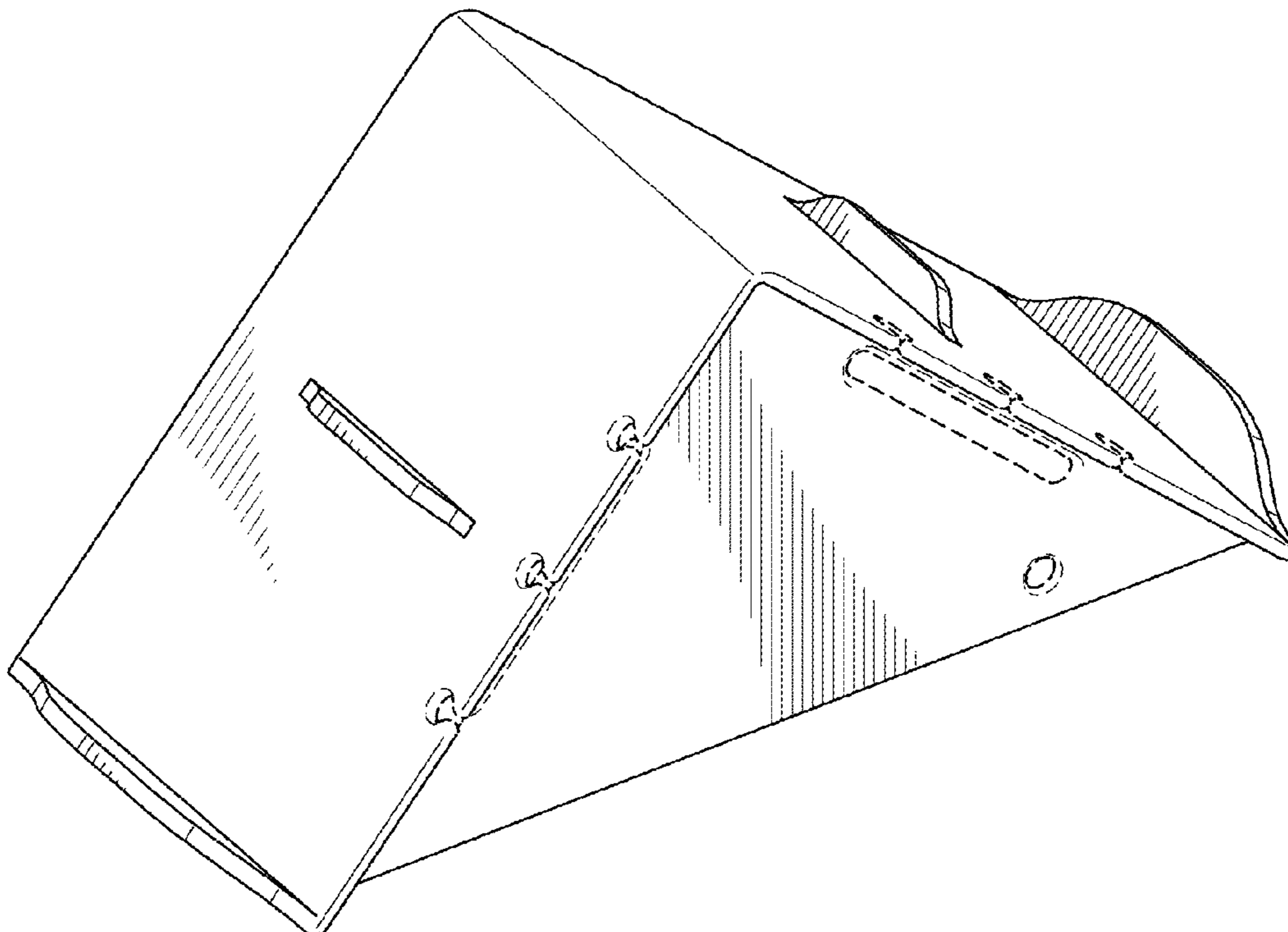
The ornamental design for a table top charging system for electronic devices, as shown and described.

**DESCRIPTION**

FIG. 1 is a top perspective view of a table top charging system for electronic devices showing my new design;  
FIG. 2 is a bottom perspective view thereof;  
FIG. 3 is a front elevational view thereof;  
FIG. 4 is a right side elevational view thereof, the left side being a mirror image thereof;  
FIG. 5 is a rear elevational view thereof;  
FIG. 6 is a top plan view thereof; and,  
FIG. 7 is a bottom plan view thereof.

The broken lines shown in the drawings illustrate environmental structure and form no part of the claimed design.

**1 Claim, 4 Drawing Sheets**



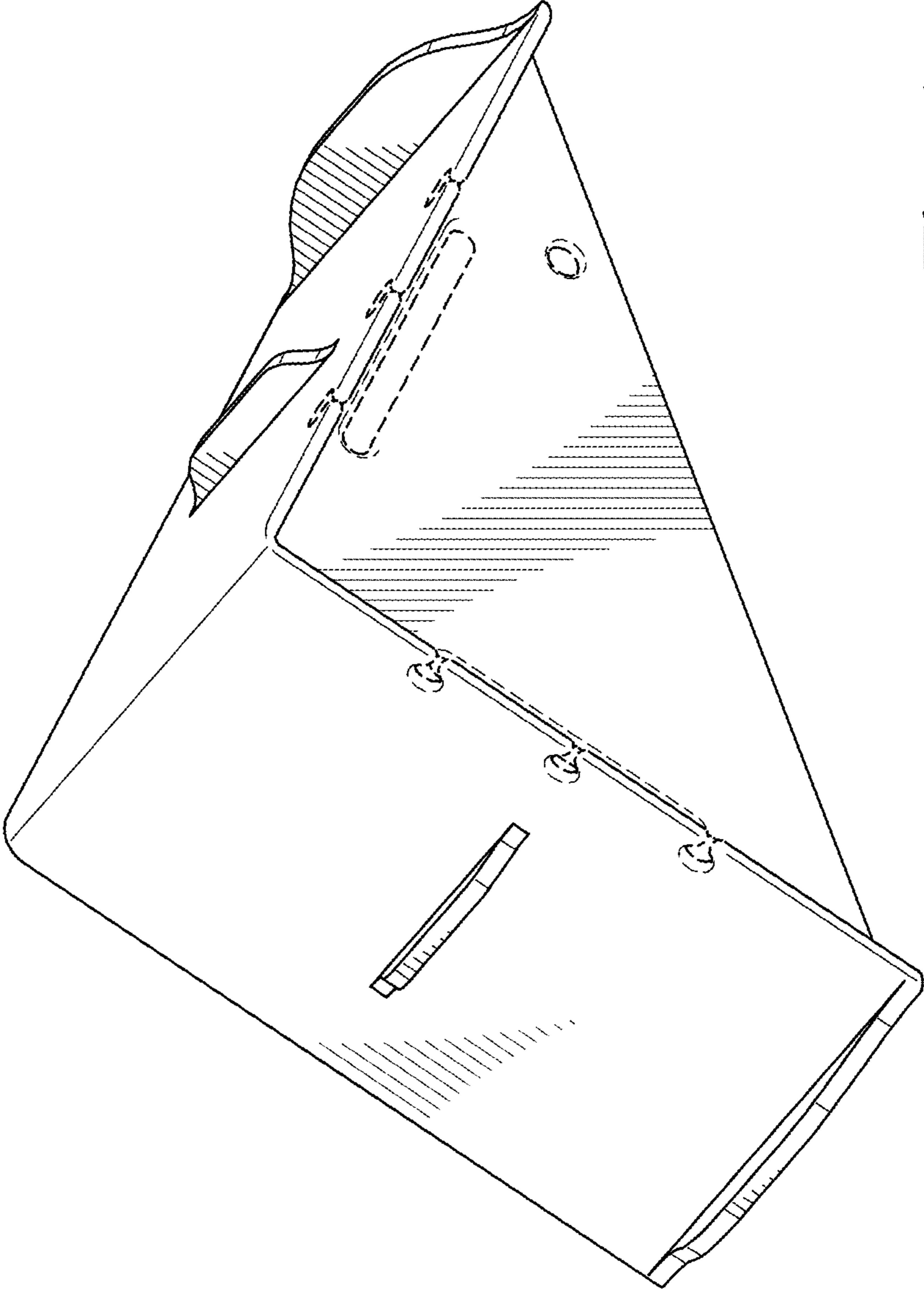


Fig. 1

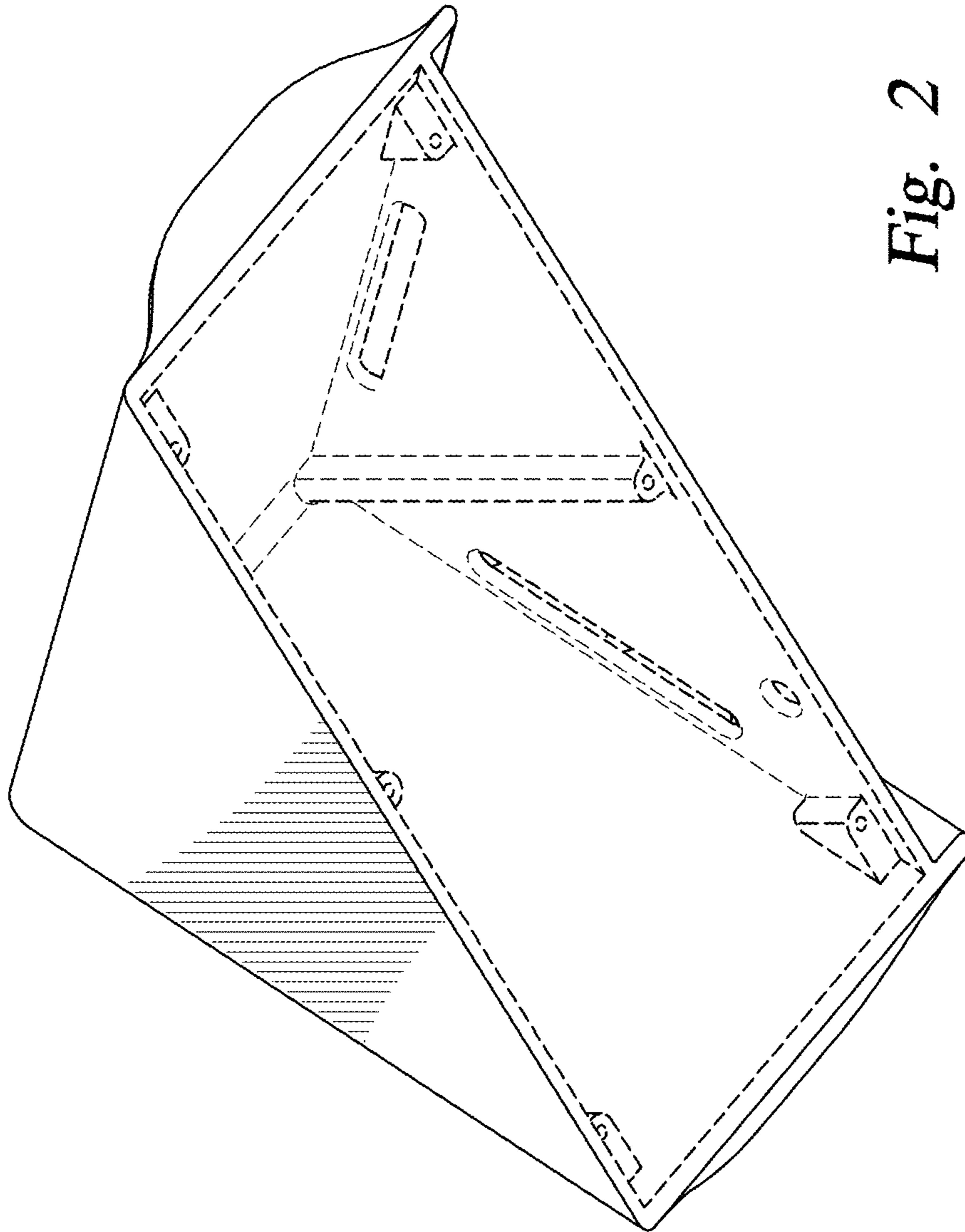
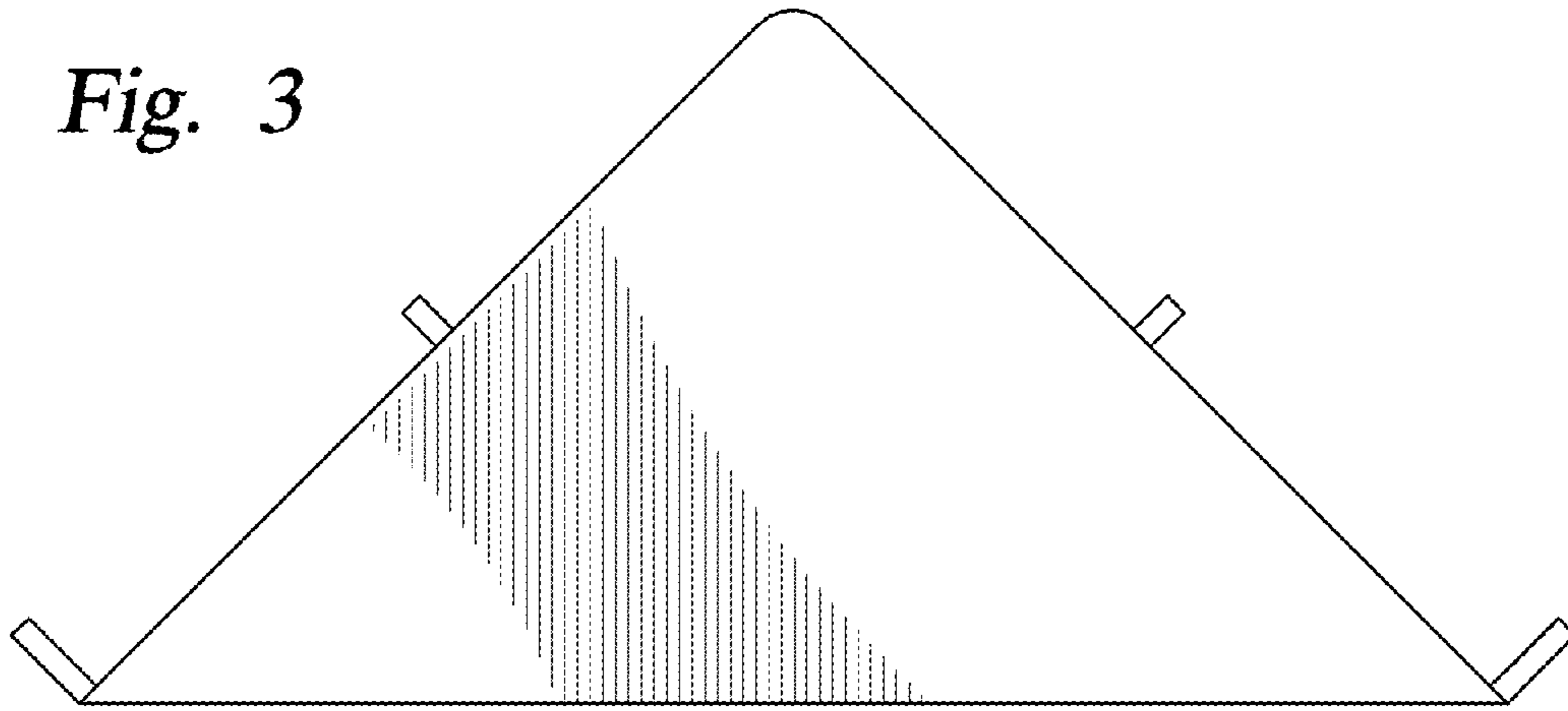
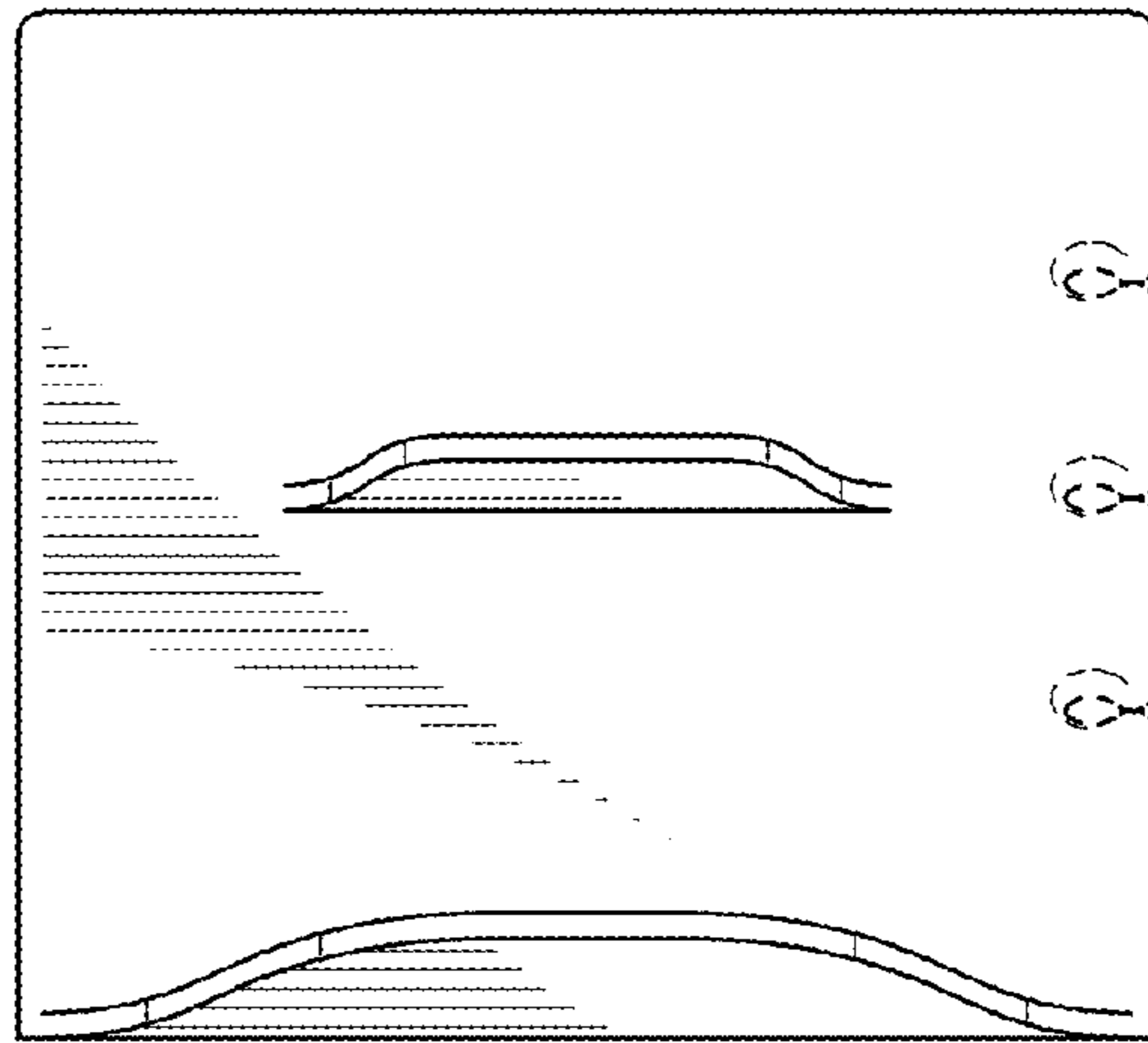


Fig. 2

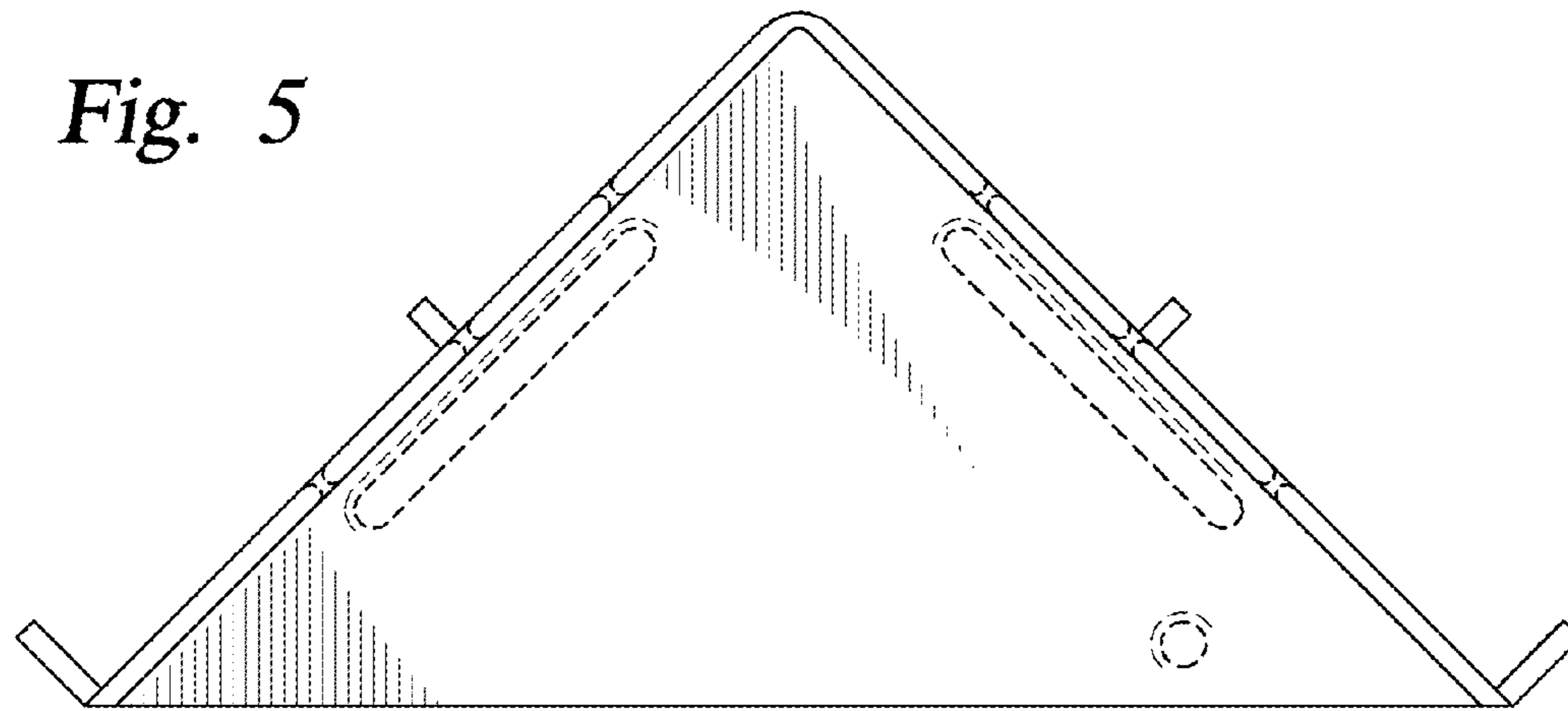
*Fig. 3*

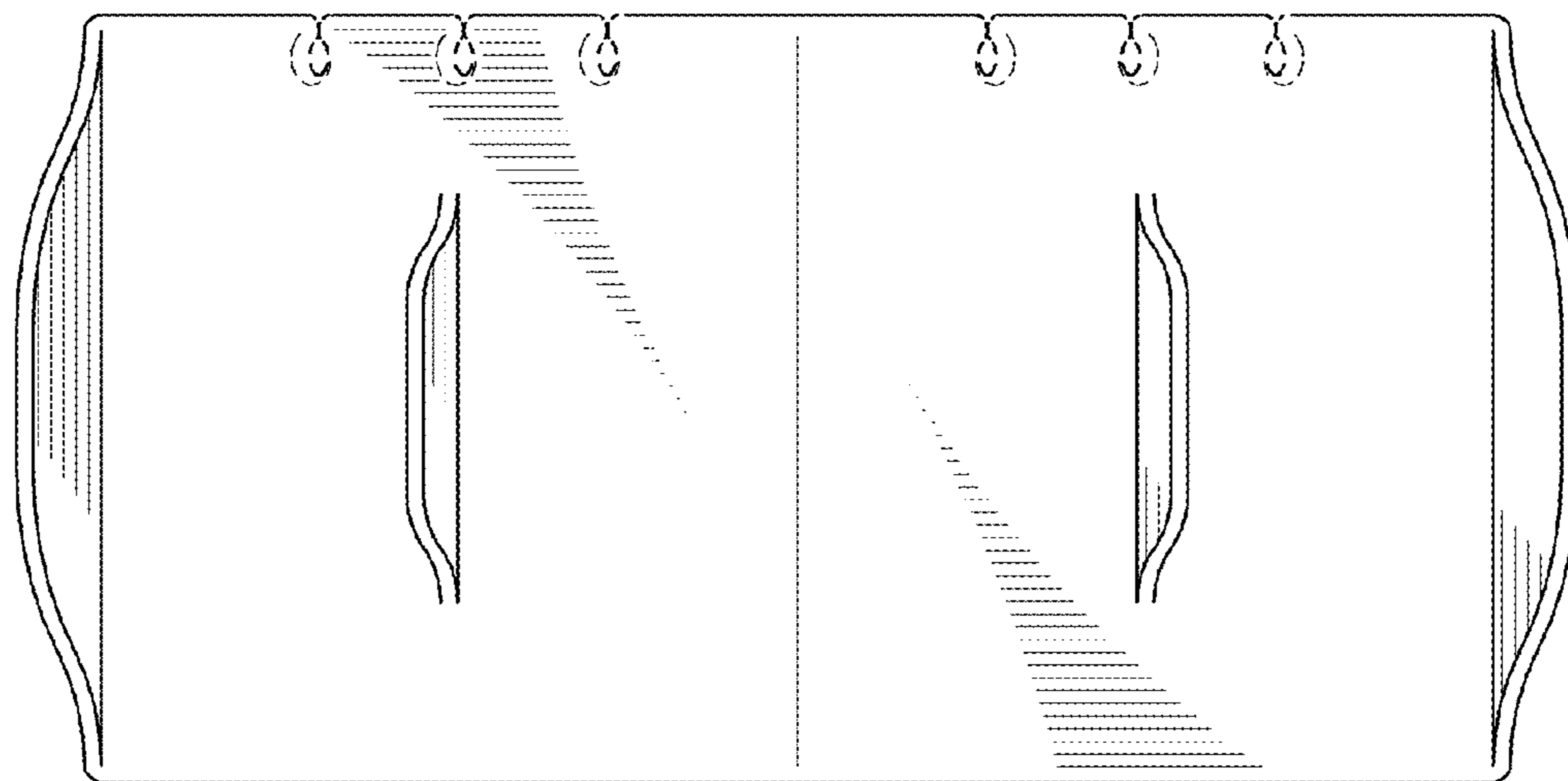


*Fig. 4*

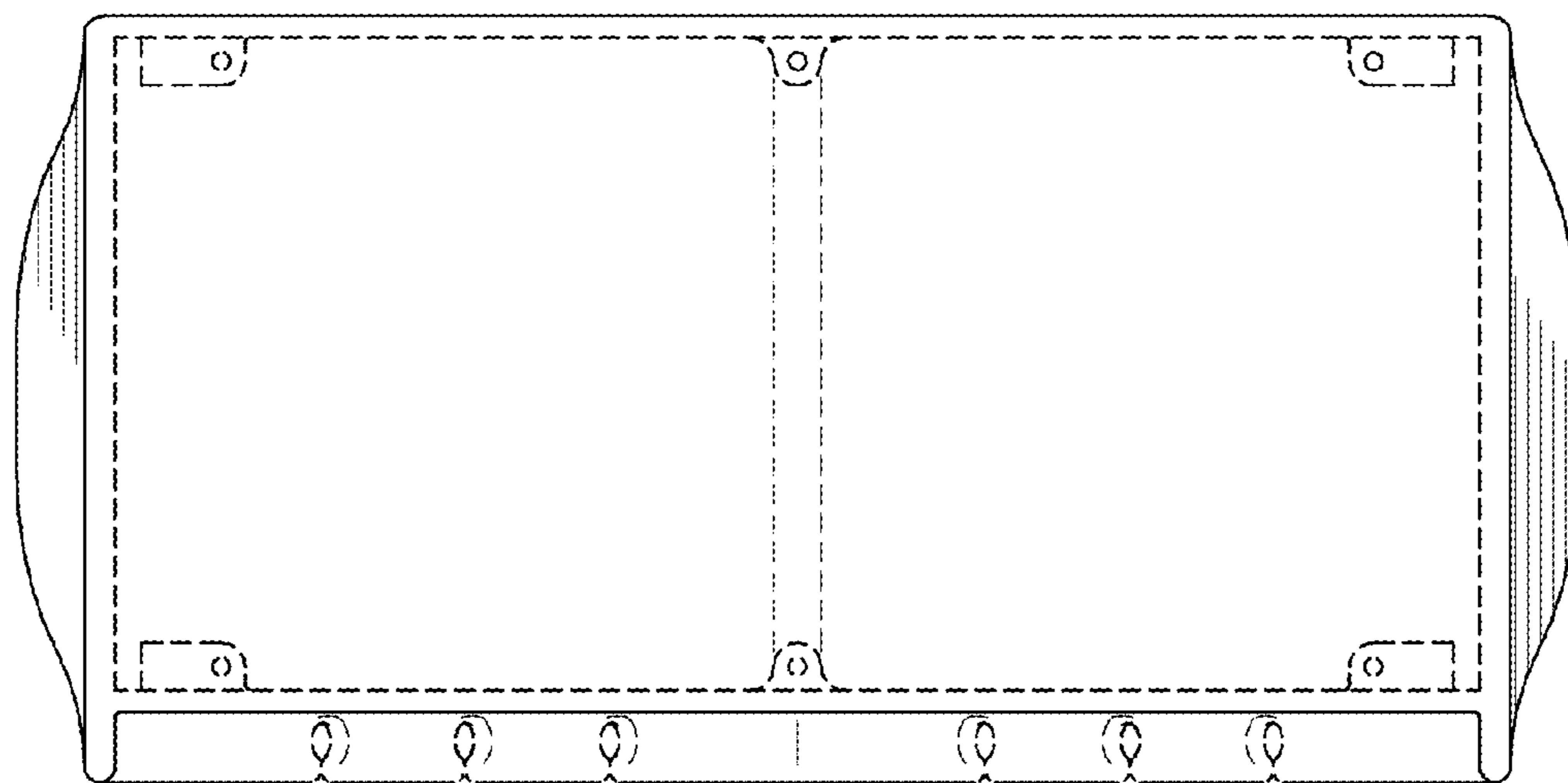


*Fig. 5*





*Fig. 6*



*Fig. 7*