



US00D700886S

(12) **United States Design Patent**
Matsumoto et al.

(10) **Patent No.:** **US D700,886 S**
(45) **Date of Patent:** **** Mar. 11, 2014**

(54) **AUTOMOBILE TIRE**

(71) Applicant: **The Yokohama Rubber Co., Ltd.**,
Tokyo (JP)

(72) Inventors: **Kenichi Matsumoto**, Hiratsuka (JP);
Kenichi Sato, Minato-ku (JP)

(73) Assignee: **The Yokohama Rubber Co., Ltd.** (JP)

(**) Term: **14 Years**

(21) Appl. No.: **29/464,241**

(22) Filed: **Aug. 14, 2013**

(30) **Foreign Application Priority Data**

Feb. 15, 2013 (JP) 2013-003081

(51) **LOC (10) Cl.** **12-15**

(52) **U.S. Cl.**
USPC **D12/605**

(58) **Field of Classification Search**
USPC D12/500-501, 544, 579, 600-605,
D12/552-553; 152/523-524, DIG. 12, 555;
D7/588, 396.4-396.5
See application file for complete search history.

(56) **References Cited**

U.S. PATENT DOCUMENTS

D569,337 S	*	5/2008	Iwabuchi	D12/605
D570,768 S	*	6/2008	Takahashi	D12/605
D593,939 S	*	6/2009	Maxwell	D12/605
D632,641 S	*	2/2011	Sato	D12/605
D650,323 S	*	12/2011	Morito et al.	D12/605

D655,671 S	*	3/2012	Yasunaga	D12/605
D667,369 S	*	9/2012	Fontaine et al.	D12/605
D671,066 S	*	11/2012	Morito et al.	D12/605
D673,900 S	*	1/2013	Kuwano	D12/605
D678,832 S	*	3/2013	Fontaine et al.	D12/605
D680,490 S	*	4/2013	Iwabuchi	D12/605
D683,695 S	*	6/2013	Takeshima	D12/605

* cited by examiner

Primary Examiner — Stacia Cadmus

(74) *Attorney, Agent, or Firm* — Banner & Witcoff, Ltd.

(57) **CLAIM**

The ornamental design for an automobile tire, as shown and described.

DESCRIPTION

FIG. 1 is a perspective view of an automobile tire showing our new design;

FIG. 2 is a front view thereof;

FIG. 3 is a rear view thereof;

FIG. 4 is a left side view thereof;

FIG. 5 is a right side view thereof;

FIG. 6 is a top plan view thereof;

FIG. 7 is a bottom view thereof;

FIG. 8 is an enlarged view of a portion defined by line 8 shown in FIG. 2; and,

FIG. 9 is an enlarged sectional view taken along line 9-9 shown in FIG. 8.

The broken lines shown are included for the purpose of illustrating the unclaimed portions of the automobile tire and form no part of the claimed design.

1 Claim, 9 Drawing Sheets

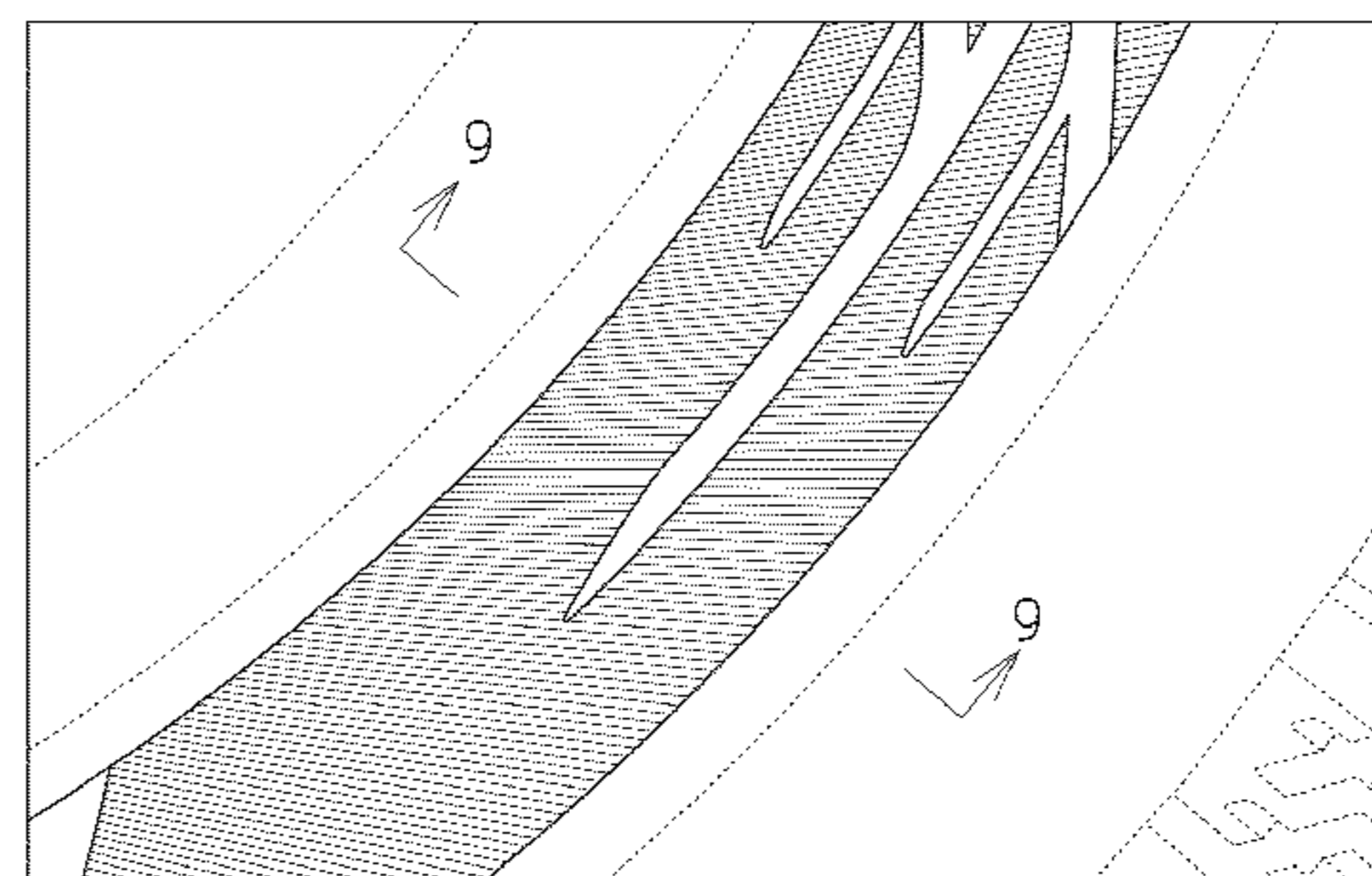
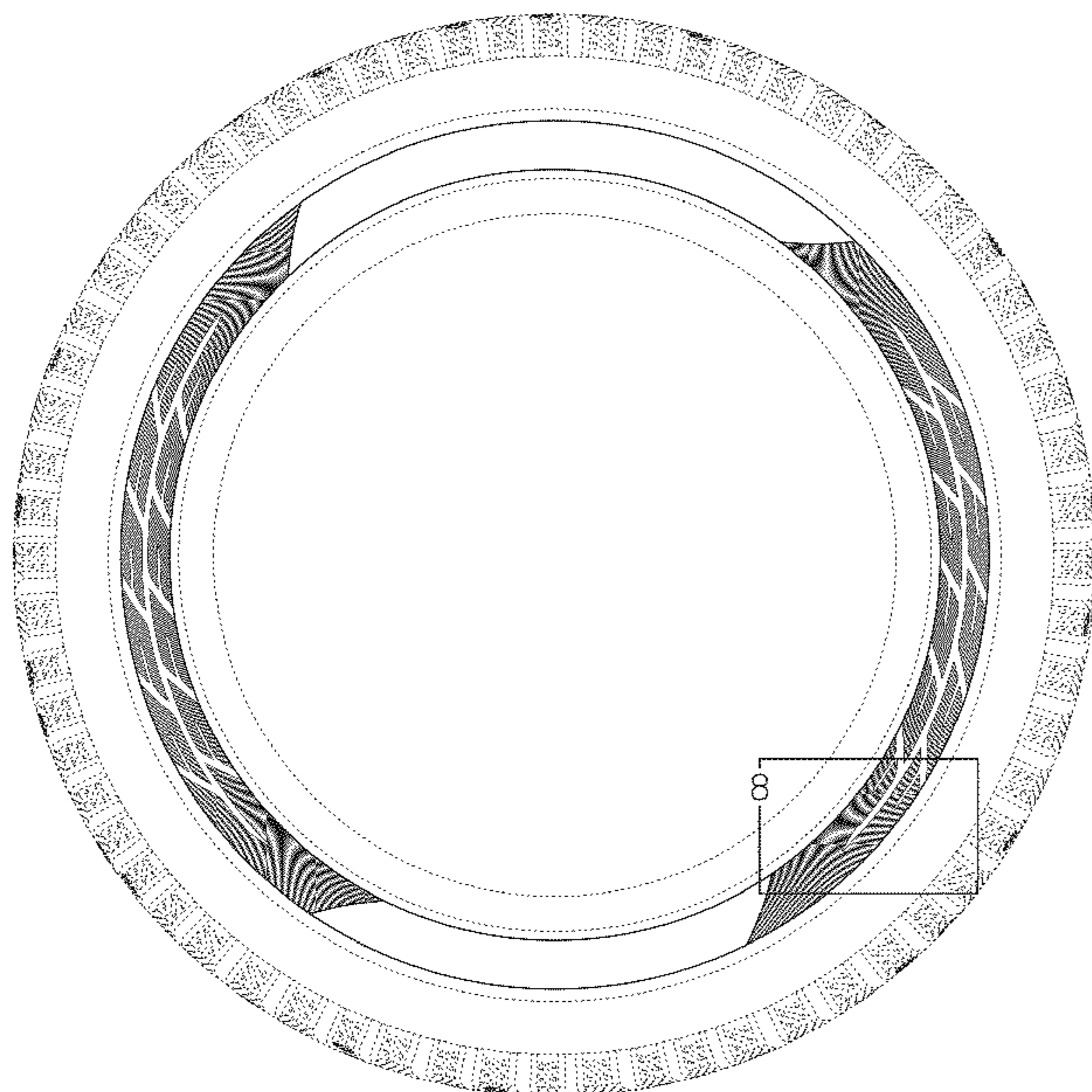


Fig. 1

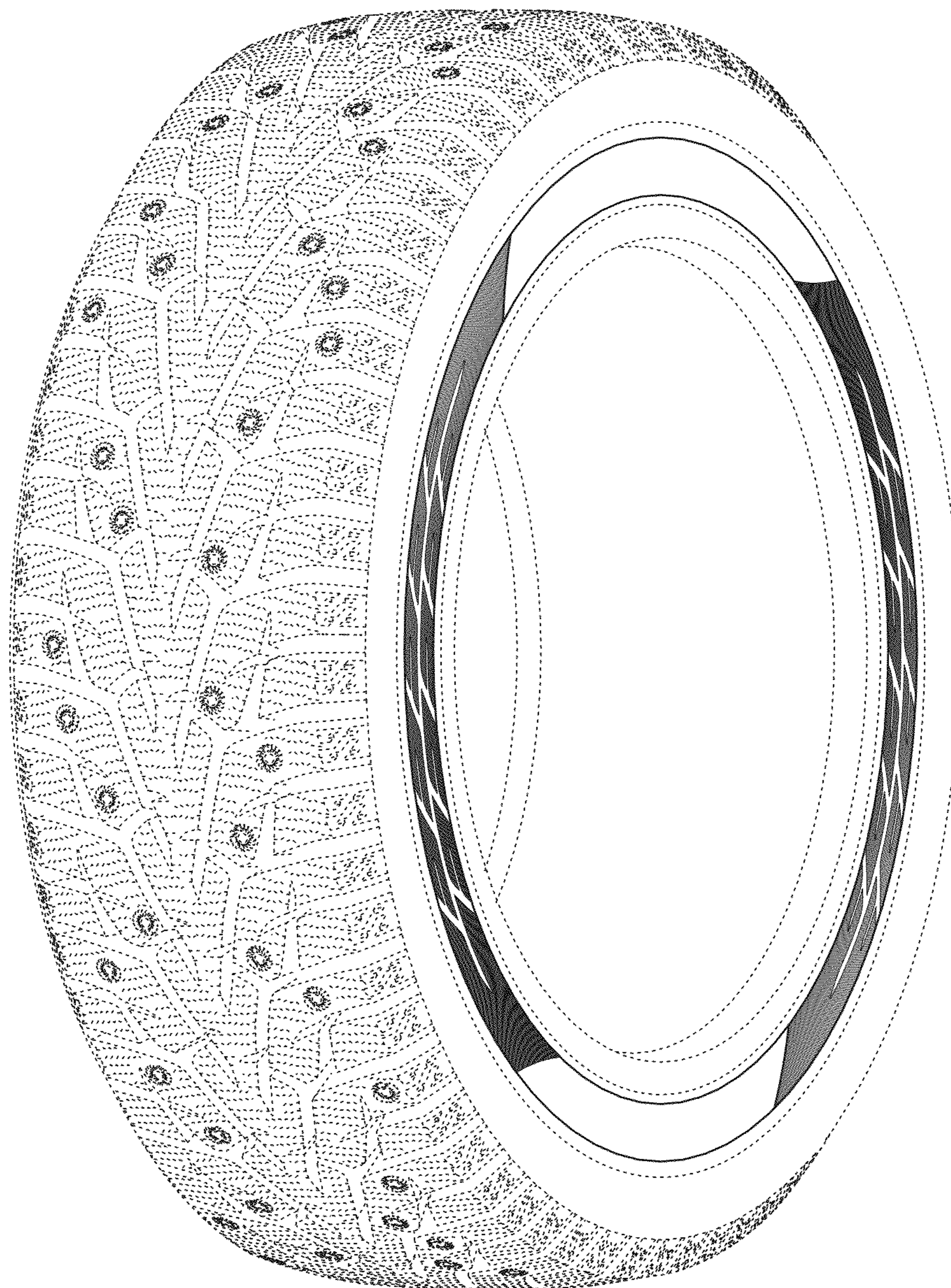


Fig. 2

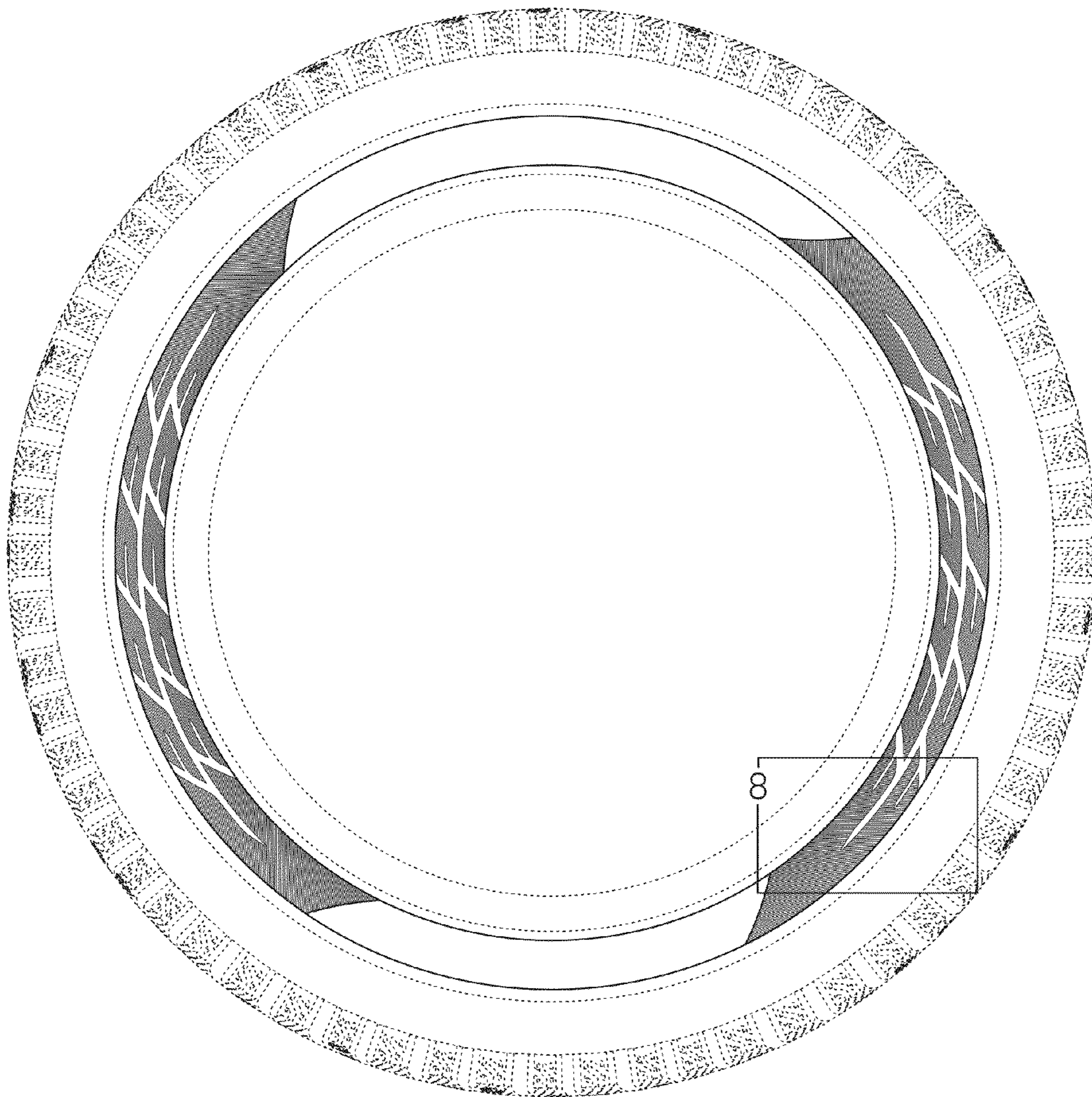


Fig. 3

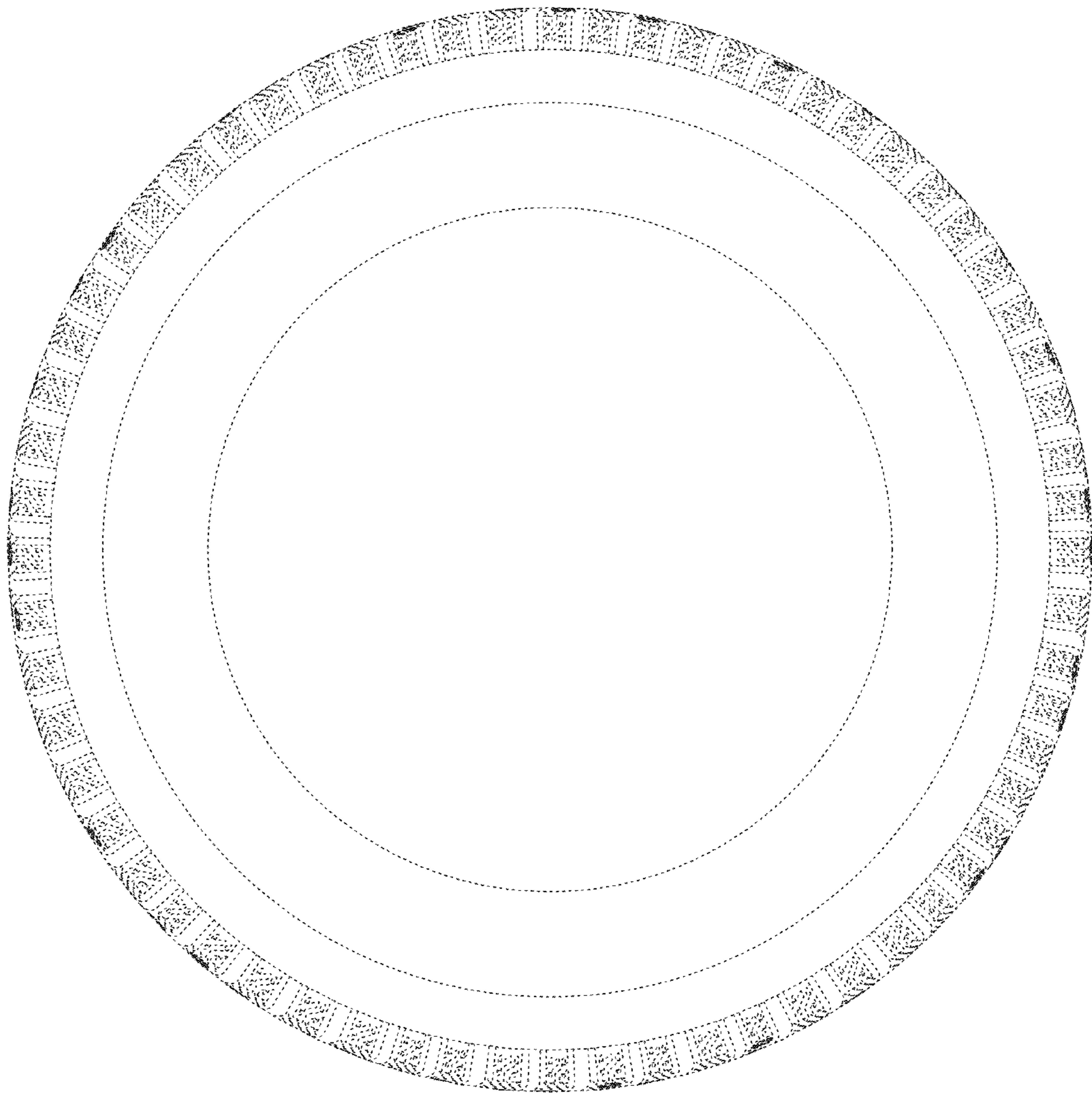


Fig. 4

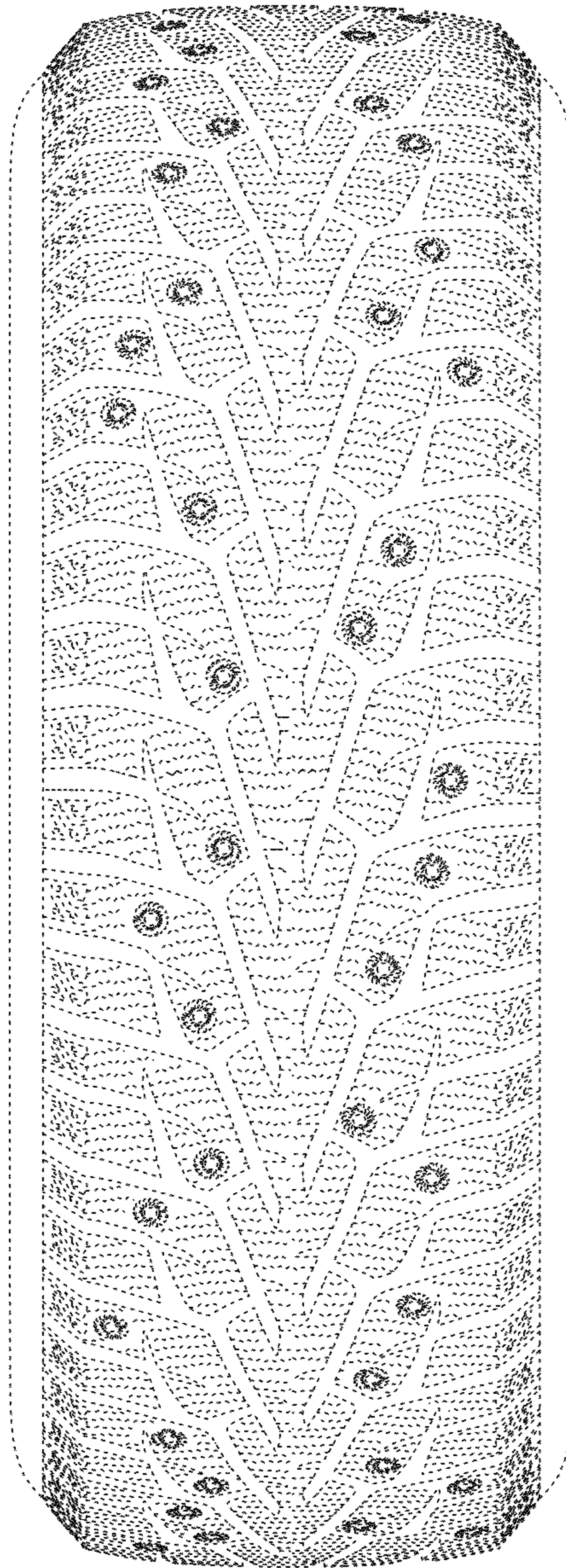


Fig. 5

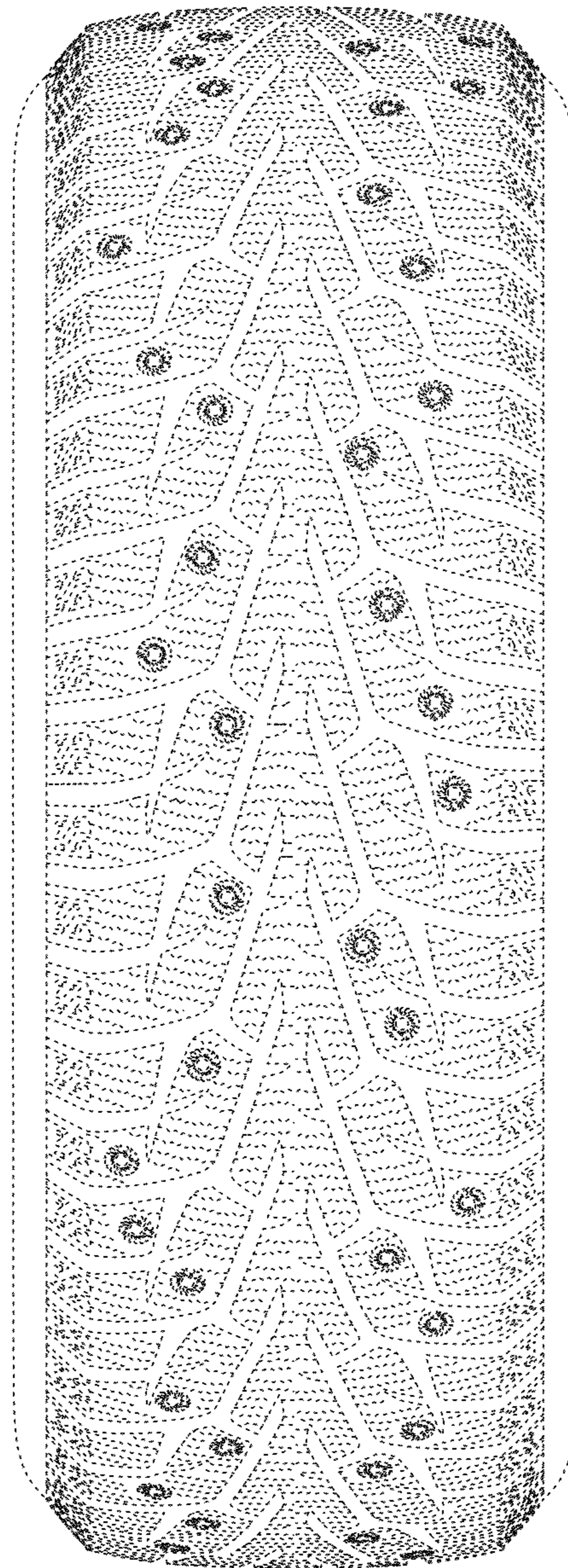


Fig. 6

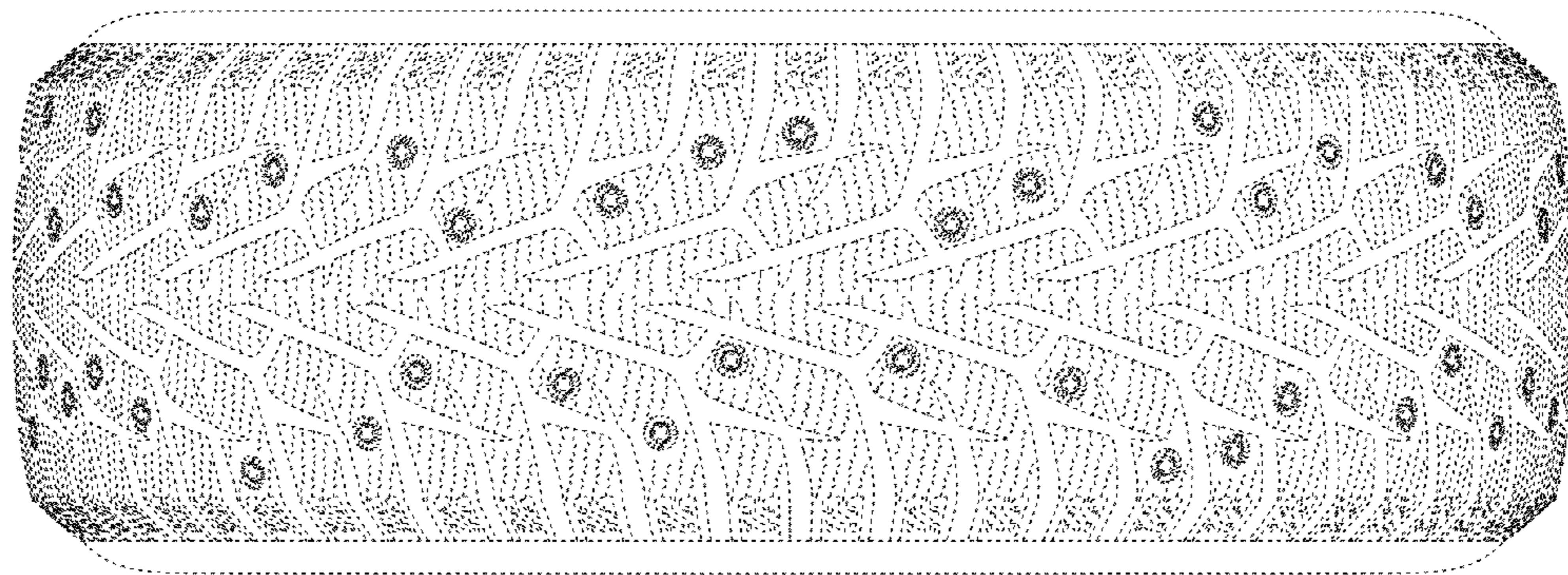


Fig. 7

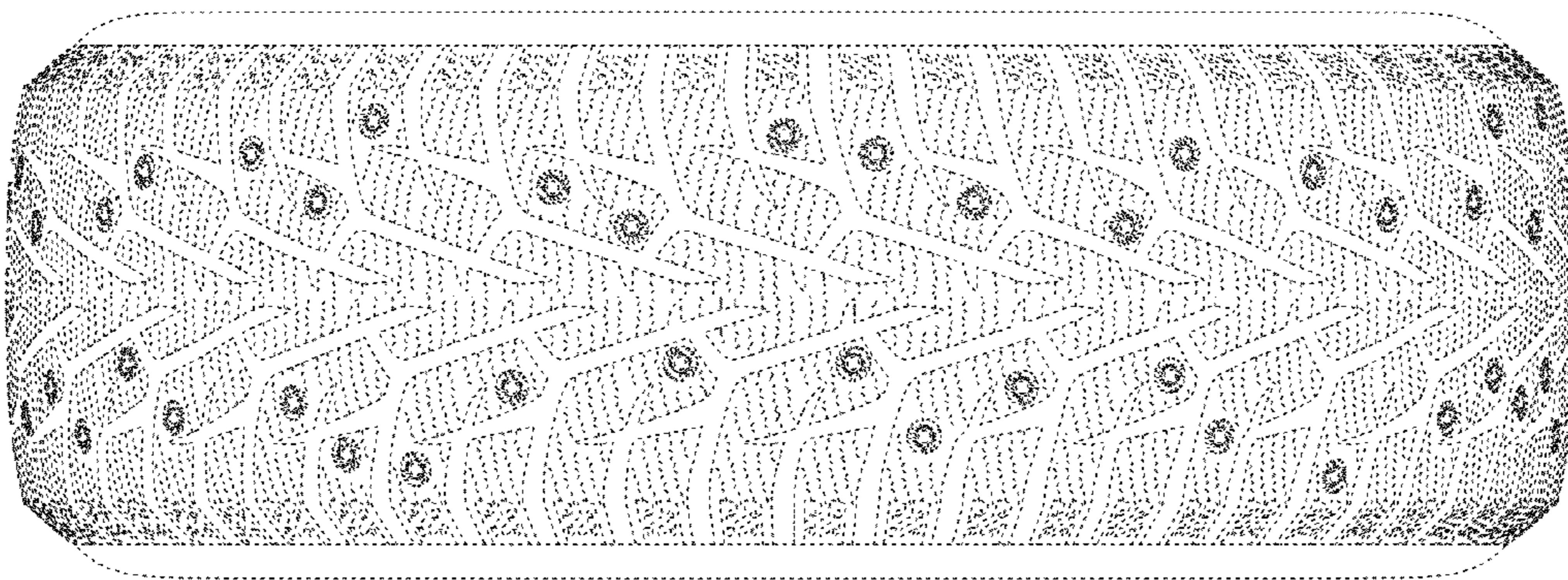


Fig. 8

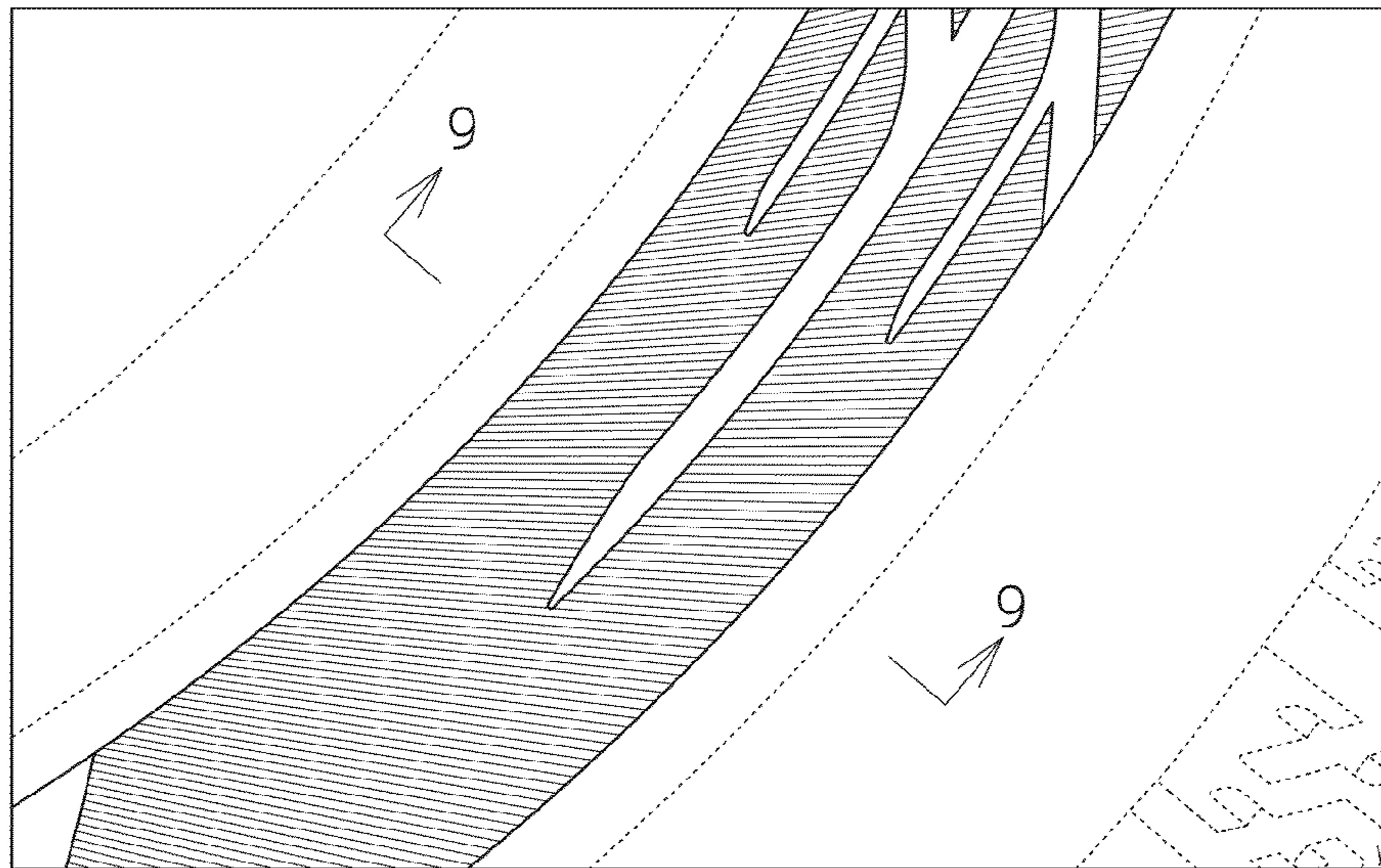


Fig. 9

