



US00D700885S

(12) **United States Design Patent**
Le et al.

(10) **Patent No.:** **US D700,885 S**
(45) **Date of Patent:** **** Mar. 11, 2014**

(54) **TIRE**
(71) Applicant: **The Goodyear Tire & Rubber Company, Akron, OH (US)**
(72) Inventors: **Phuoc Thuan Le, Attert (BE); Herve Marcel Henri Beauguitte, Lieler (LU); Daniel Roder, Bissen (LU); Krzysztof Florian Jakubiak, Ettelbruck (LU); Julien Alexandre Fursthos, Basse Ham (FR); Georges Gaston Feider, Bettborn (LU)**

D427,551 S *	7/2000	Weber	D12/588
D448,709 S	10/2001	Le	D12/147
D458,215 S	6/2002	Le	D12/600
D461,162 S	8/2002	Young et al.	D12/595
D473,843 S	4/2003	Le et al.	D12/600
D480,042 S *	9/2003	Brayer et al.	D12/588
D500,288 S	12/2004	Maziarka et al.	D12/601
D500,733 S *	1/2005	Himuro	D12/588
D506,180 S *	6/2005	Wage	D12/588
D528,500 S	9/2006	Le et al.	D12/600
D533,498 S	12/2006	Scheuren et al.	D12/588
D554,055 S	10/2007	Beauguitte et al.	D12/600
D584,217 S	1/2009	Scheuren et al.	D12/549

(Continued)

(73) Assignee: **The Goodyear Tire & Rubber Company, Akron, OH (US)**

Primary Examiner — Stacia Cadmus

(74) *Attorney, Agent, or Firm* — Richard B. O'Planick

(**) Term: **14 Years**

(57) **CLAIM**

The ornamental design for a tire, as shown and described.

(21) Appl. No.: **29/444,538**

DESCRIPTION

(22) Filed: **Jan. 31, 2013**

(51) **LOC (10) Cl.** **12-15**

(52) **U.S. Cl.**
USPC **D12/588**

(58) **Field of Classification Search**
USPC D12/568–603, 551, 553, 900–901;
152/209.1–209.9, 209.11–209.19,
152/209.21–209.28, 455

See application file for complete search history.

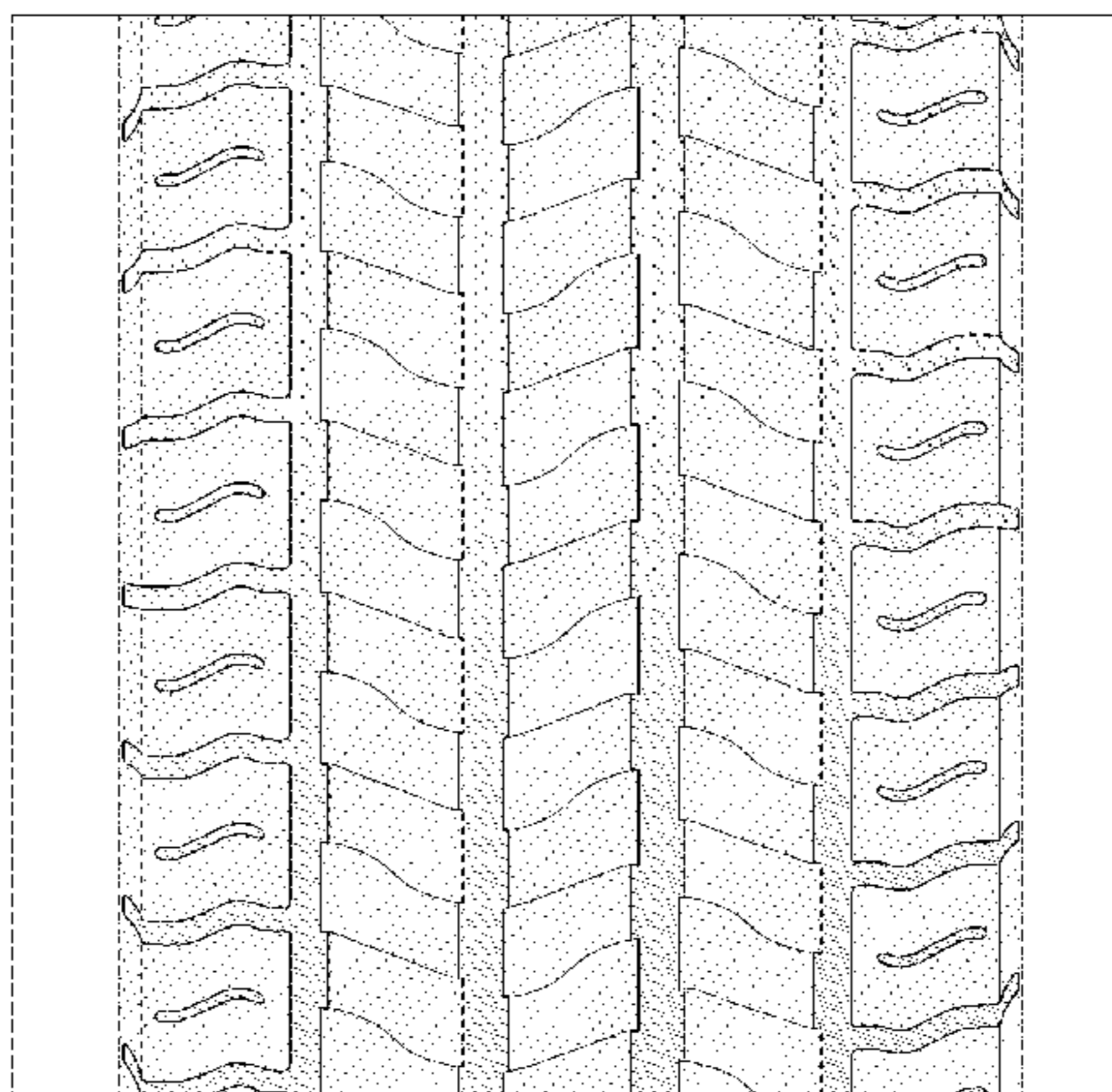
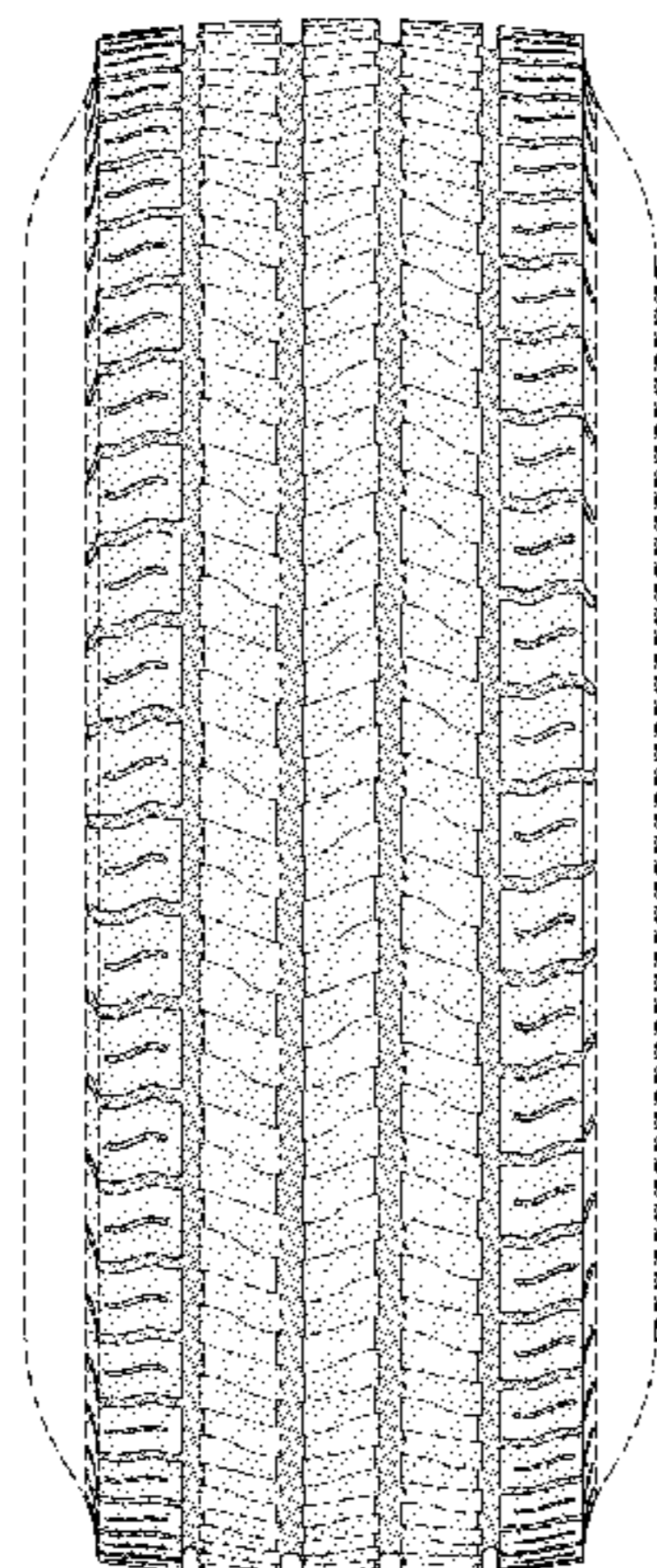
FIG. 1 is a perspective view of a tire showing our new design, it being understood that the pattern repeats uniformly throughout the circumference of the tread;
FIG. 2 is a front elevational view thereof;
FIG. 3 is a right side elevational view thereof; the opposite side elevational view being identical thereto;
FIG. 4 is an enlarged fragmentary front elevational view thereof;
FIG. 5 is a perspective view of a second embodiment of a tire showing our new design, it being understood that the pattern repeats uniformly throughout the circumference of the tread and that the opposite side view is identical thereto; and,
FIG. 6 is a front elevational view of a second embodiment, it being understood that an enlarged fragmentary view thereof would be substantially identical to that shown in FIG. 4, with the exception of the inclusion of the sidewall in solid lines.
In the drawings, the broken lines showing of the sidewall, inner bead and the peripheral boundary between the tire tread and the sidewall in FIGS. 1 through 4 depict environmental subject matter and form no part of the claimed design.

(56) **References Cited**

U.S. PATENT DOCUMENTS

D313,776 S *	1/1991	Hopkins et al.	D12/588
D367,025 S *	2/1996	Faulk et al.	D12/588
D383,423 S *	9/1997	Galante et al.	D12/588
D383,712 S	9/1997	Scheuren et al.	D12/143
D384,613 S	10/1997	Le et al.	D12/146
D392,605 S	3/1998	Le et al.	D12/146
D402,932 S *	12/1998	Gillard et al.	D12/588
D403,281 S	12/1998	Allen et al.	D12/147
D421,582 S *	3/2000	Dumigan et al.	D12/588
D426,178 S *	6/2000	Weber et al.	D12/588

1 Claim, 6 Drawing Sheets



(56)

References Cited

U.S. PATENT DOCUMENTS

D604,228 S	11/2009	Le et al.	D12/582	D645,810 S	9/2011	Le et al.	D12/600
D604,229 S	11/2009	Le et al.	D12/582	D647,040 S	10/2011	Mathonet et al.	D12/588
D609,169 S	2/2010	Feider	D12/588	D647,467 S *	10/2011	Bonhomme et al.	D12/588
D619,081 S	7/2010	Nicolas et al.	D12/571	D648,264 S	11/2011	Le et al.	D12/588
D626,501 S	11/2010	Cazin-Bourguignon et al.	D12/600	D657,302 S *	4/2012	Durand	D12/588
D627,707 S	11/2010	Le et al.	D12/566	D661,640 S	6/2012	Krier	D12/588
D628,146 S *	11/2010	Bachtel et al.	D12/588	D662,455 S *	6/2012	Corsi et al.	D12/588
D628,955 S	12/2010	Toumni et al.	D12/588	D662,456 S *	6/2012	Corsi et al.	D12/588
				D668,601 S *	10/2012	Brown et al.	D12/588
				D674,741 S *	1/2013	Mathonet et al.	D12/588
				D686,973 S *	7/2013	Otani	D12/588

* cited by examiner

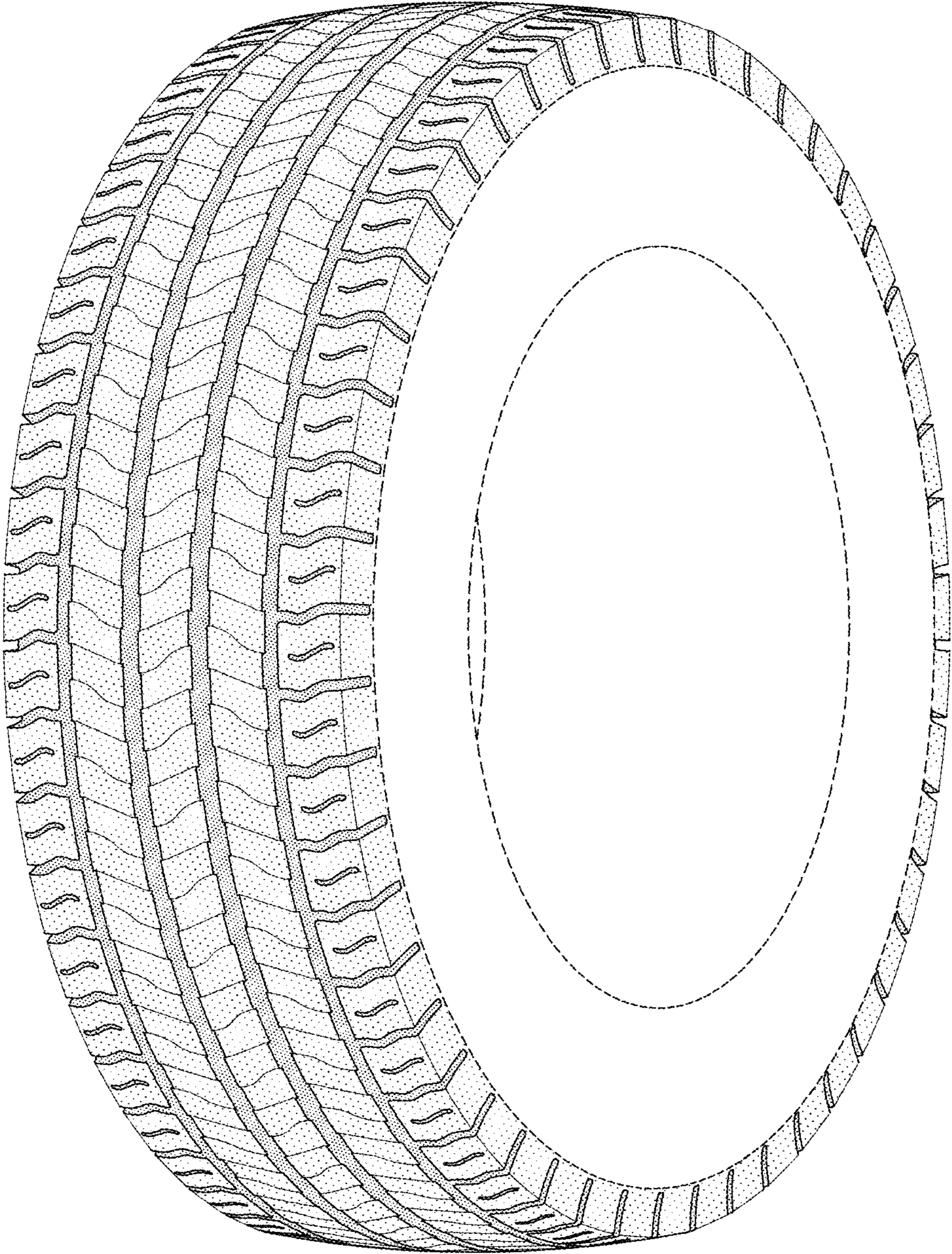


FIG-1

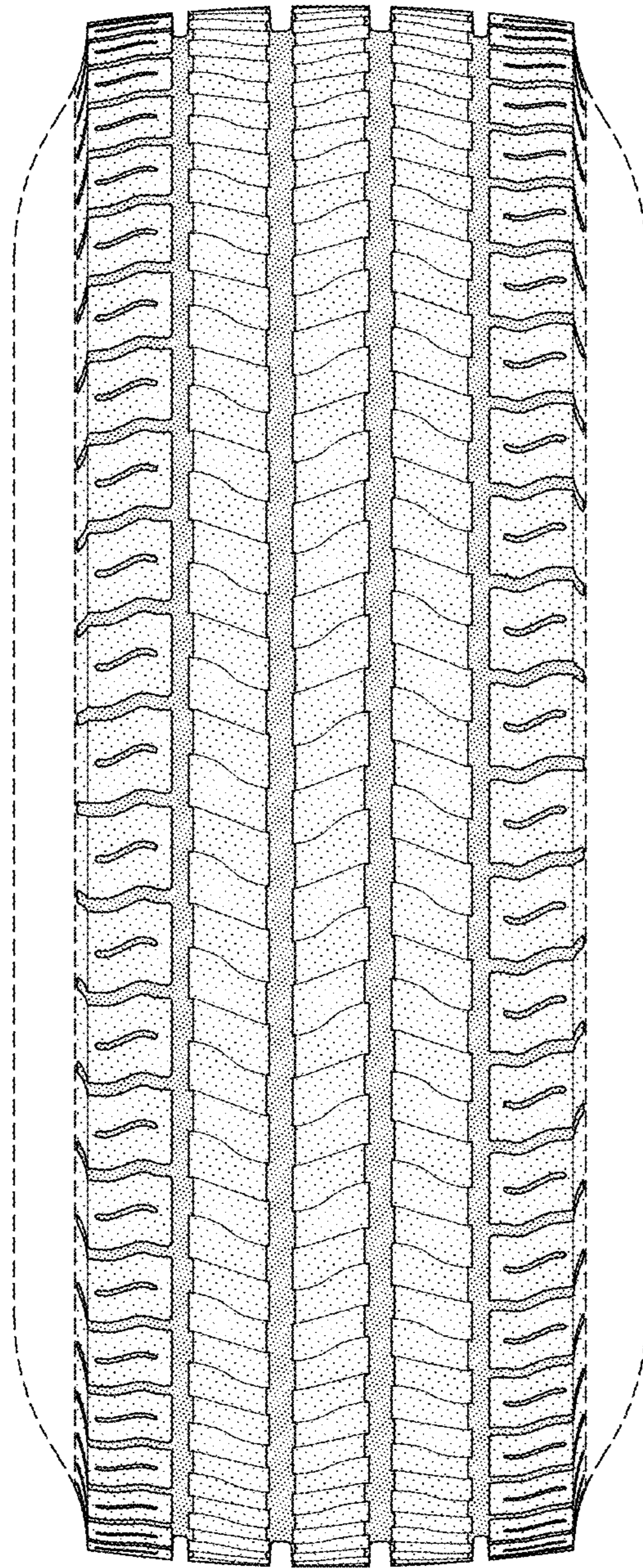


FIG-2

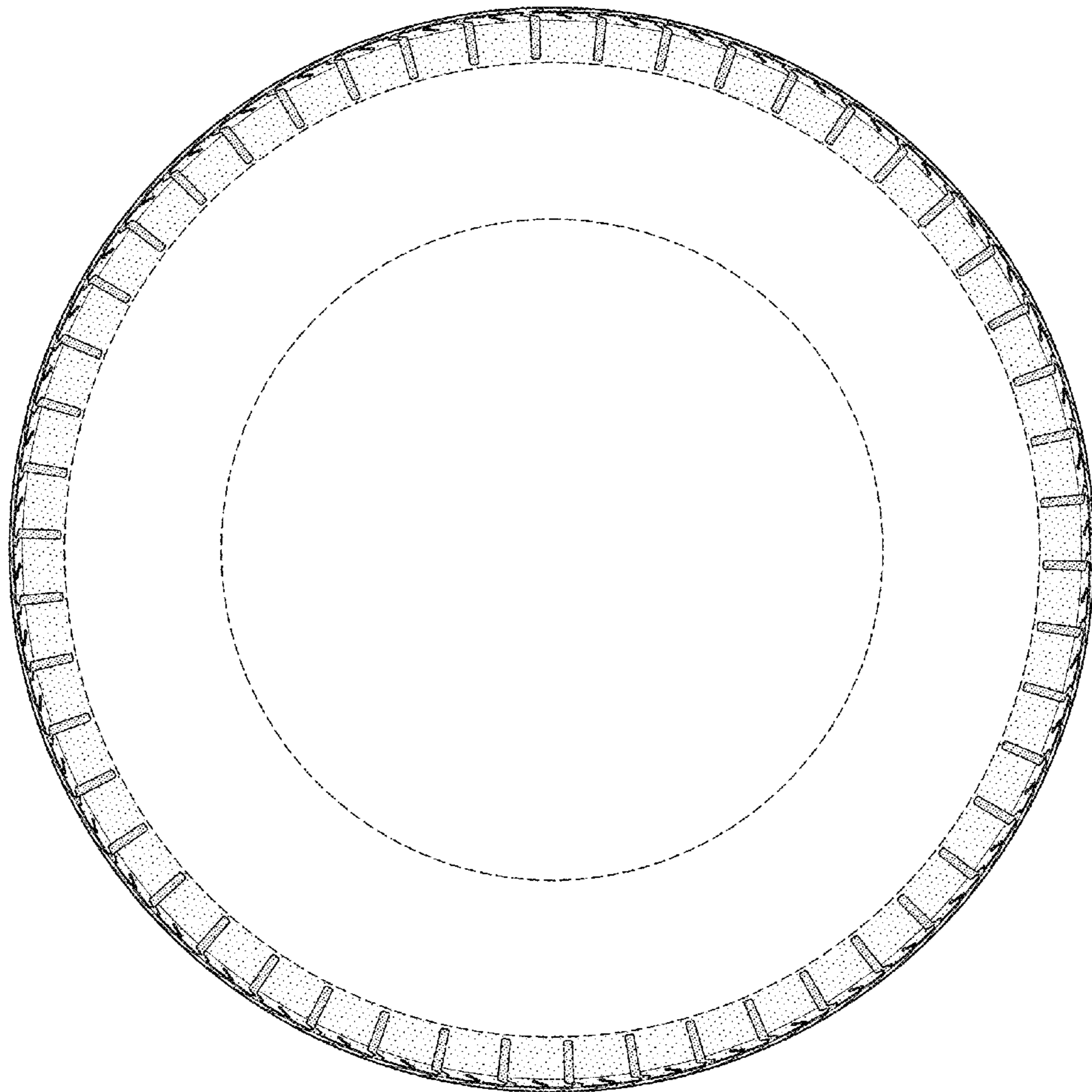


FIG-3

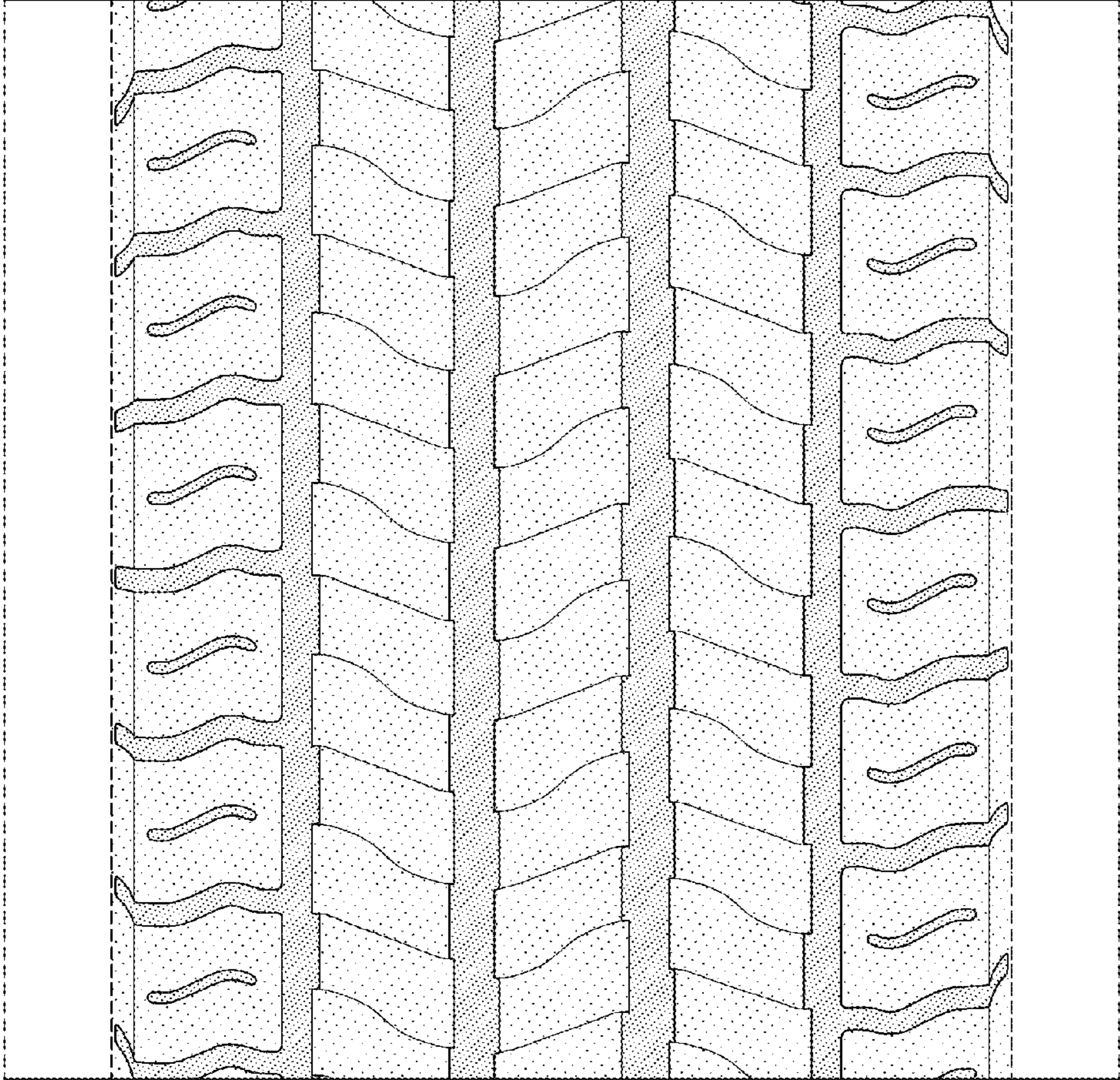


FIG-4

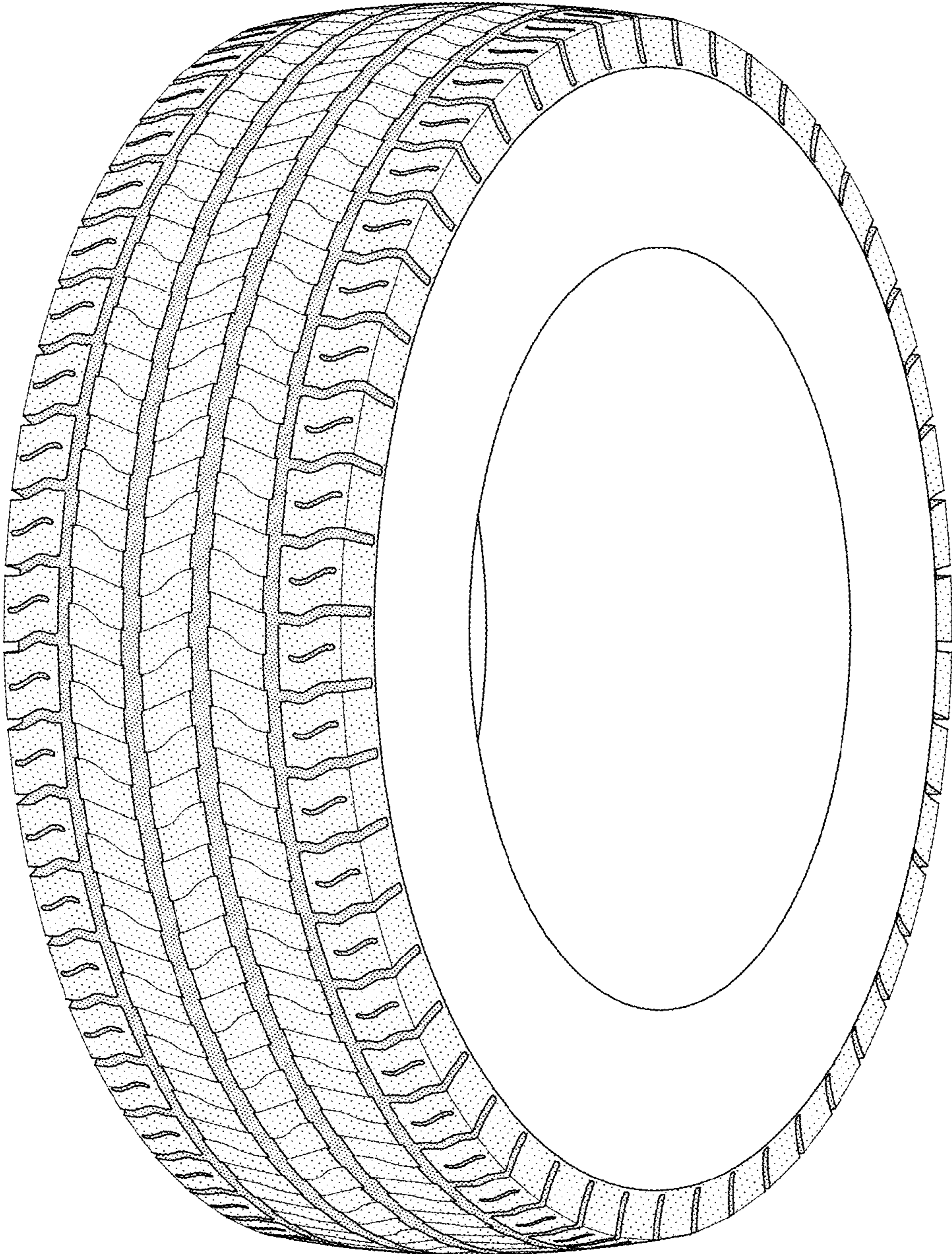


FIG-5

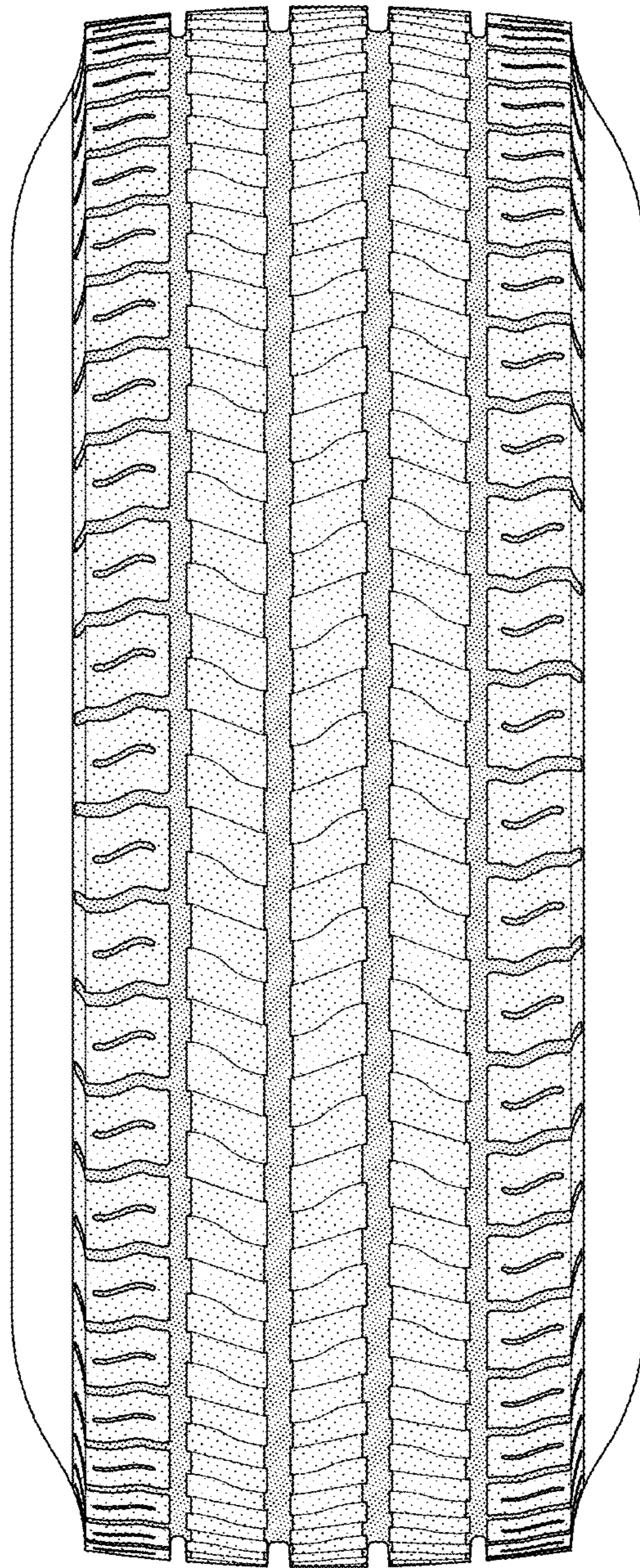


FIG-6