



US00D700883S

(12) **United States Design Patent**
Sareen

(10) **Patent No.:** **US D700,883 S**
(45) **Date of Patent:** **** Mar. 11, 2014**

- (54) **TIRE TREAD**
- (71) Applicant: **Gajendra Singh Sareen**, Singapore (SG)
- (72) Inventor: **Gajendra Singh Sareen**, Singapore (SG)
- (73) Assignee: **Omni United (S) Pte Ltd**, Singapore (SG)
- (**) Term: **14 Years**
- (21) Appl. No.: **29/421,953**
- (22) Filed: **Oct. 31, 2012**
- (51) **LOC (10) Cl.** **12-15**
- (52) **U.S. Cl.**
USPC **D12/582**
- (58) **Field of Classification Search**
USPC D12/568–603, 551–552, 900–901;
152/209.1–209.9, 209.11–209.19,
152/209.21–209.28, 455
See application file for complete search history.

- D500,472 S * 1/2005 Campana et al. D12/583
- D501,446 S 2/2005 Wage
- D512,684 S * 12/2005 Robert D12/602
- D514,504 S * 2/2006 Robert D12/602
- D606,010 S 12/2009 Martin et al.
- D609,167 S * 2/2010 Regallis et al. D12/583
- D632,245 S 2/2011 Audigier et al.
- D647,032 S 10/2011 Ebel et al.
- D647,468 S 10/2011 Weaver et al.
- D677,616 S * 3/2013 Nobunaga D12/900

* cited by examiner

Primary Examiner — Stacia Cadmus

(74) *Attorney, Agent, or Firm* — Thomas W. Cook

(57) **CLAIM**

I claim the ornamental design for the tire tread, as shown and described.

DESCRIPTION

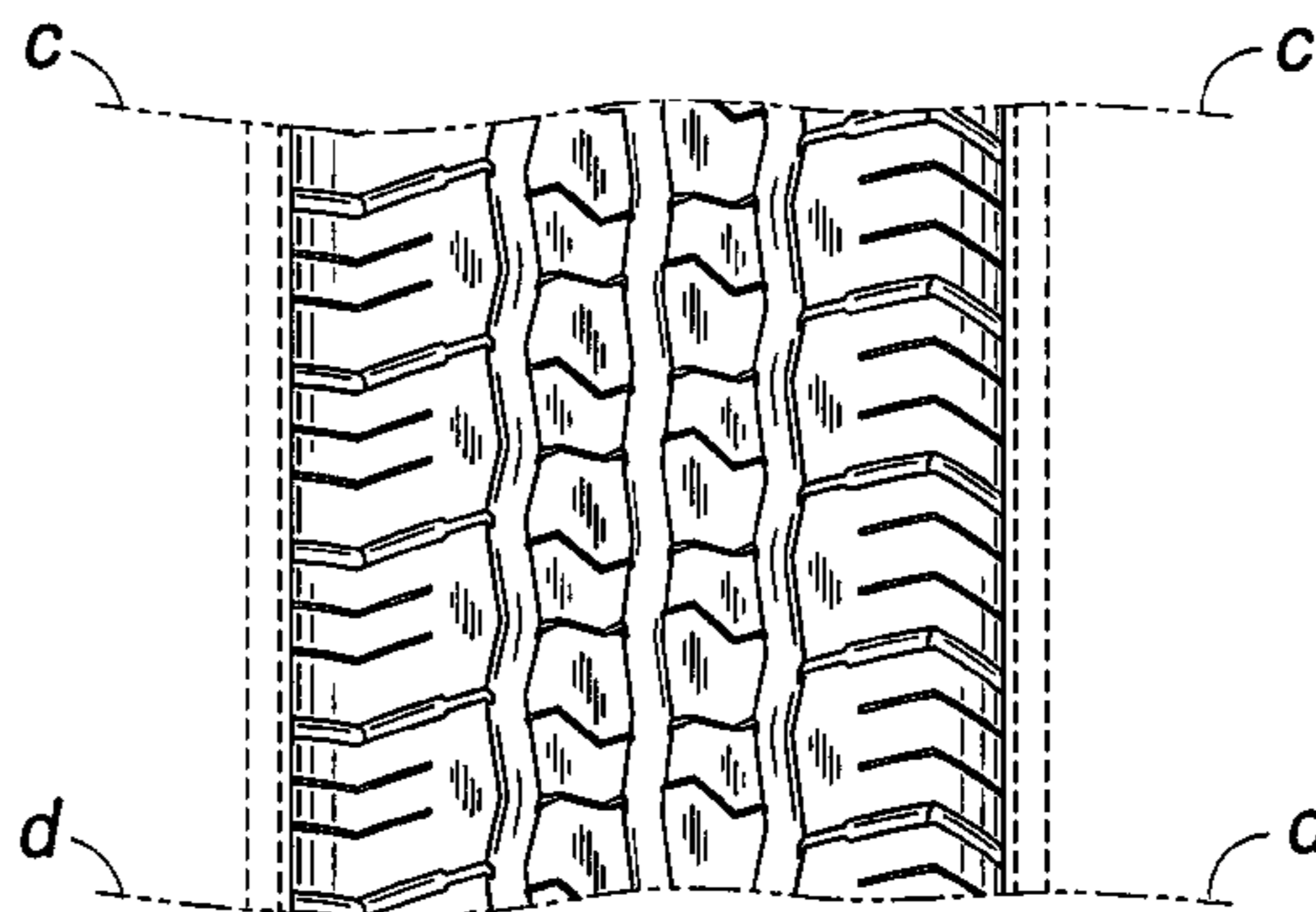
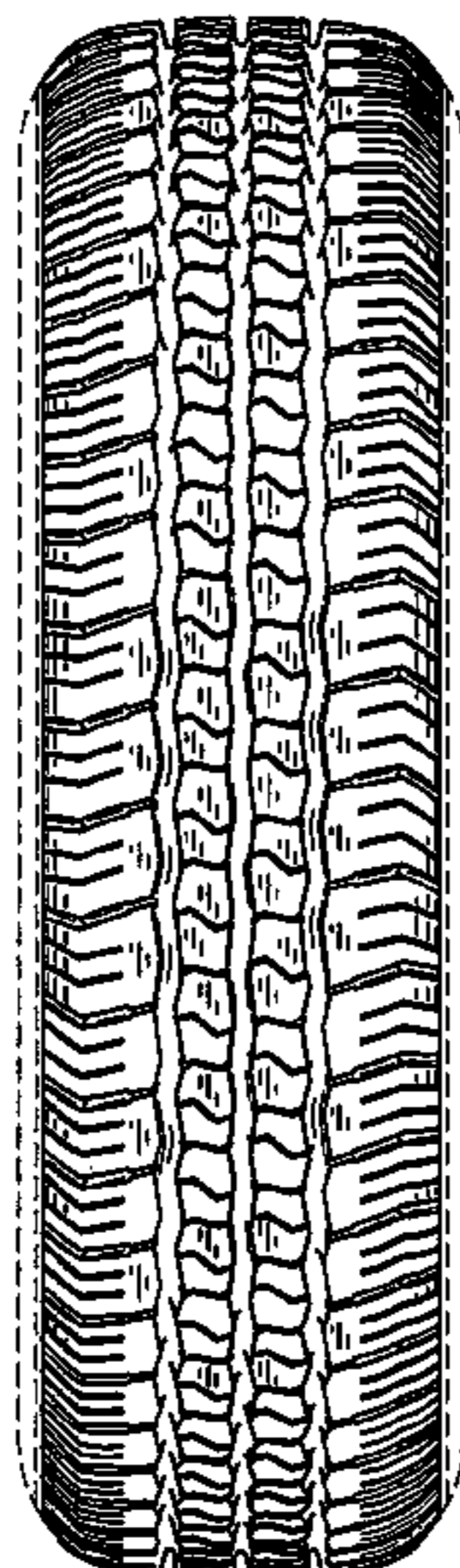
FIG. 1 is a perspective view of a tire tread, showing my new design;
 FIG. 2 is a front view thereof;
 FIG. 3 is a side view thereof;
 FIG. 4 is a perspective view of a section of the tire tread defined by lines a-a and b-b;
 FIG. 5 is an enlarged view of the section of the tire tread defined by lines a-a and b-b in FIG. 4;
 FIG. 6 is a front view of a section of the tire tread as defined by lines c-c and d-d;
 FIG. 7 is an enlarged view of the section of the tire tread defined by lines c-c and d-d in FIG. 6;
 FIG. 8 is a side view of the tire; and,
 FIG. 9 is an enlarged view of the section of the tire tread defined by line e and line f in FIG. 8.
 The broken line showing the tire in FIGS. 4-9 is included for the purpose of illustrating environment, and forms no part of the claimed design.

1 Claim, 9 Drawing Sheets

(56) **References Cited**

U.S. PATENT DOCUMENTS

- D261,496 S * 10/1981 Remy D12/583
- D269,005 S * 5/1983 Hammond et al. D12/582
- D289,026 S * 3/1987 Wohlfahrt D12/582
- D305,220 S 12/1989 Kemp
- D336,267 S 6/1993 Bonvini et al.
- D345,722 S 4/1994 Hitzky et al.
- D366,858 S 2/1996 Attinello et al.
- D368,684 S 4/1996 Scarpitti et al.
- D372,006 S * 7/1996 Labbe D12/583
- D380,425 S 7/1997 Brown et al.
- D426,794 S * 6/2000 Meer et al. D12/583
- D451,437 S * 12/2001 Reid et al. D12/582
- D456,345 S * 4/2002 Bawin et al. D12/900
- D471,512 S 3/2003 Weaver



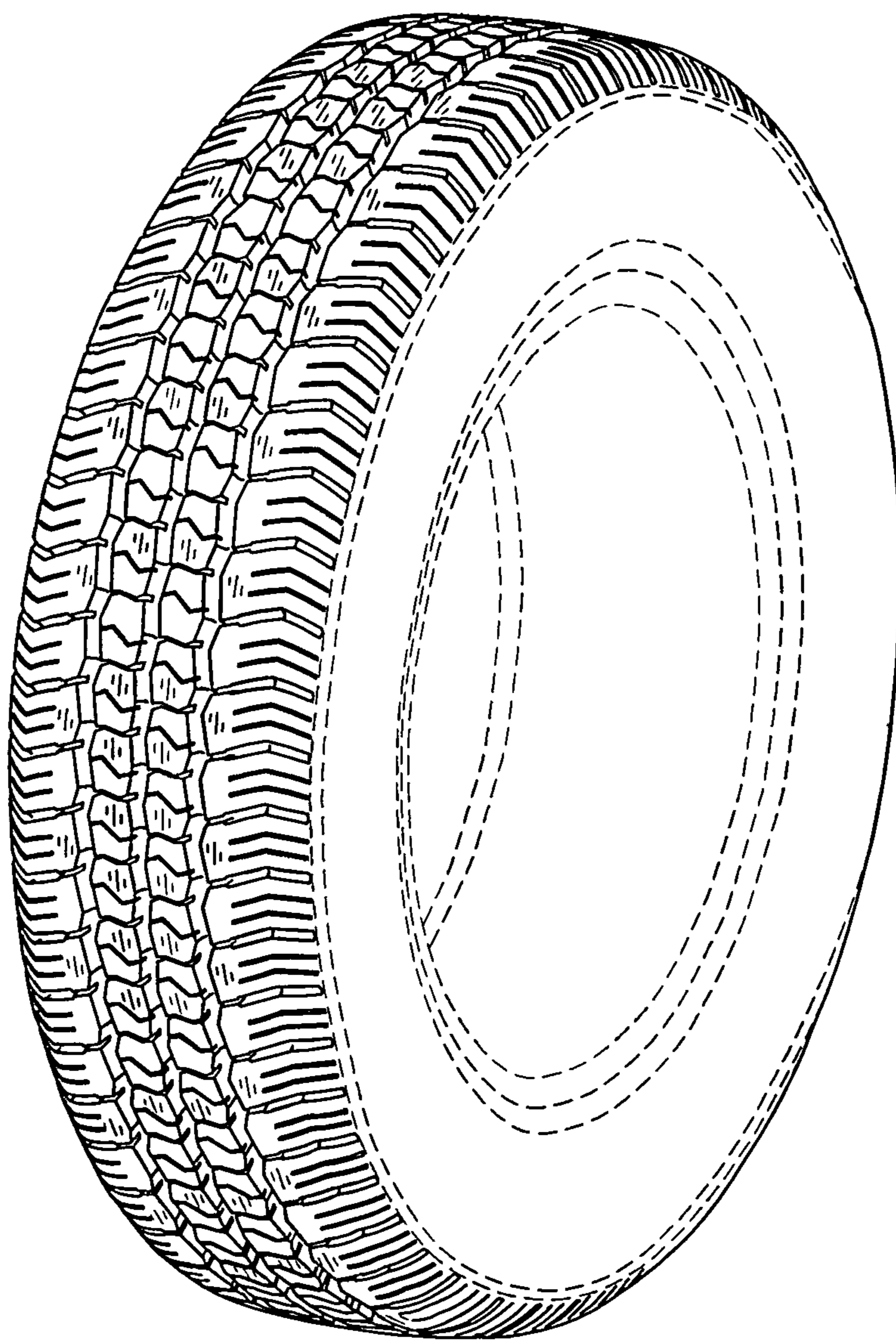


FIG. 1

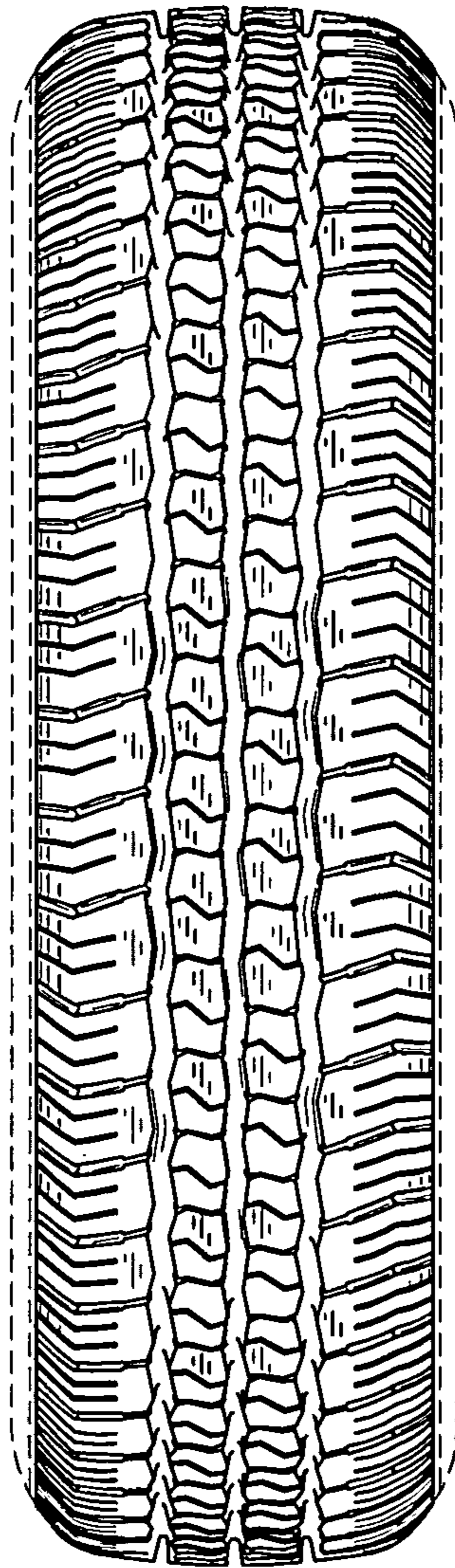


FIG. 2

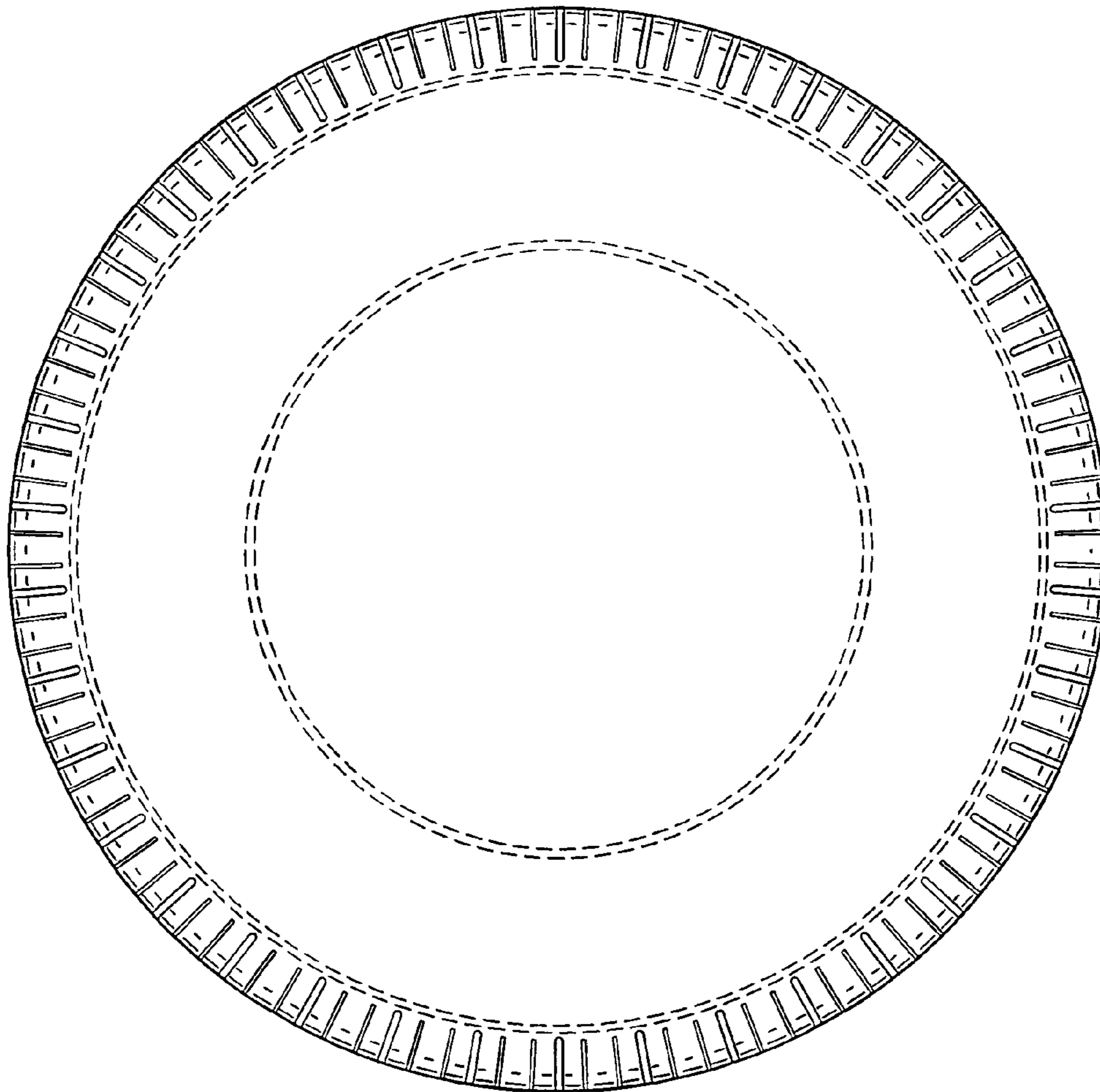


FIG. 3

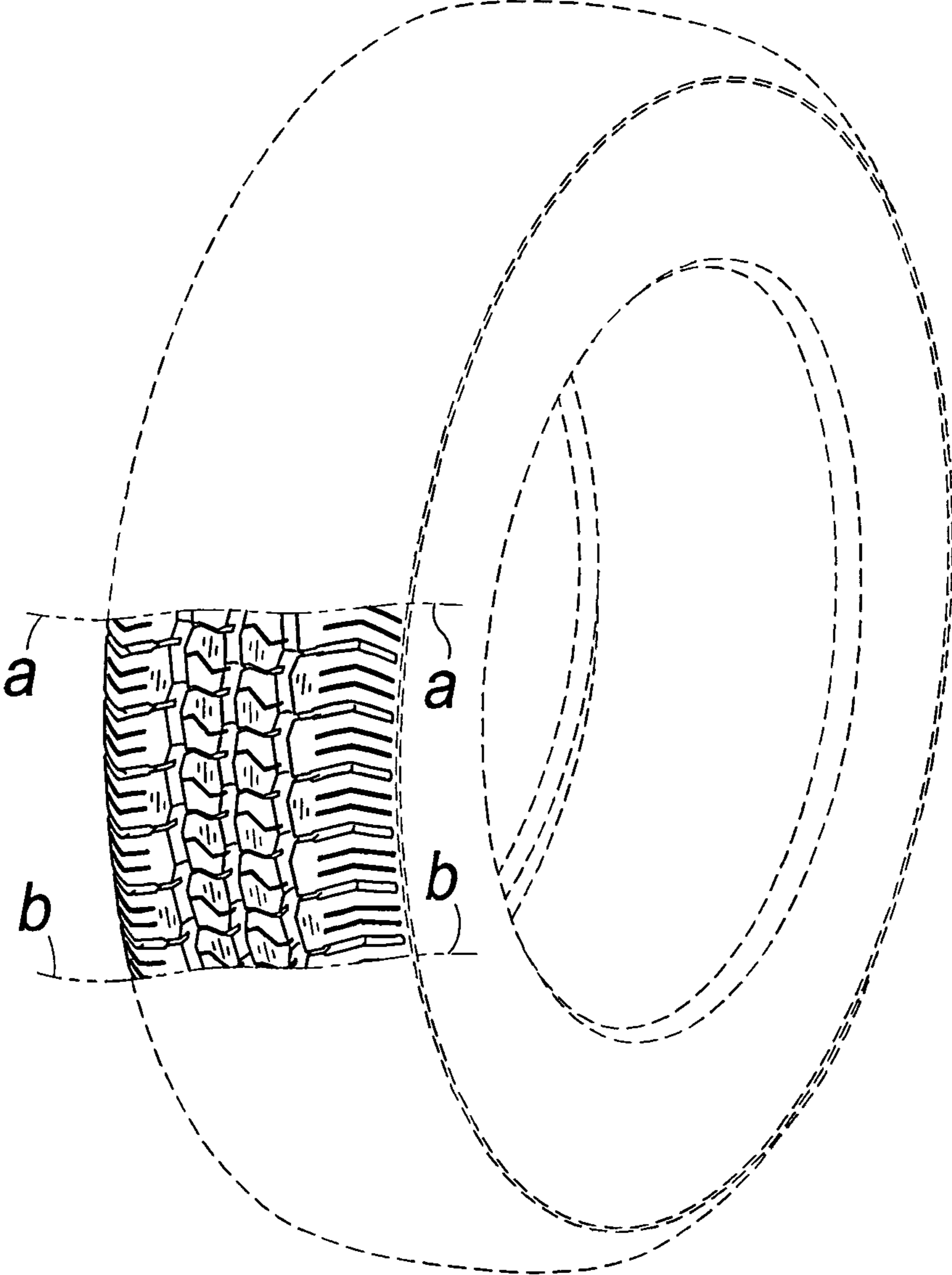


FIG. 4

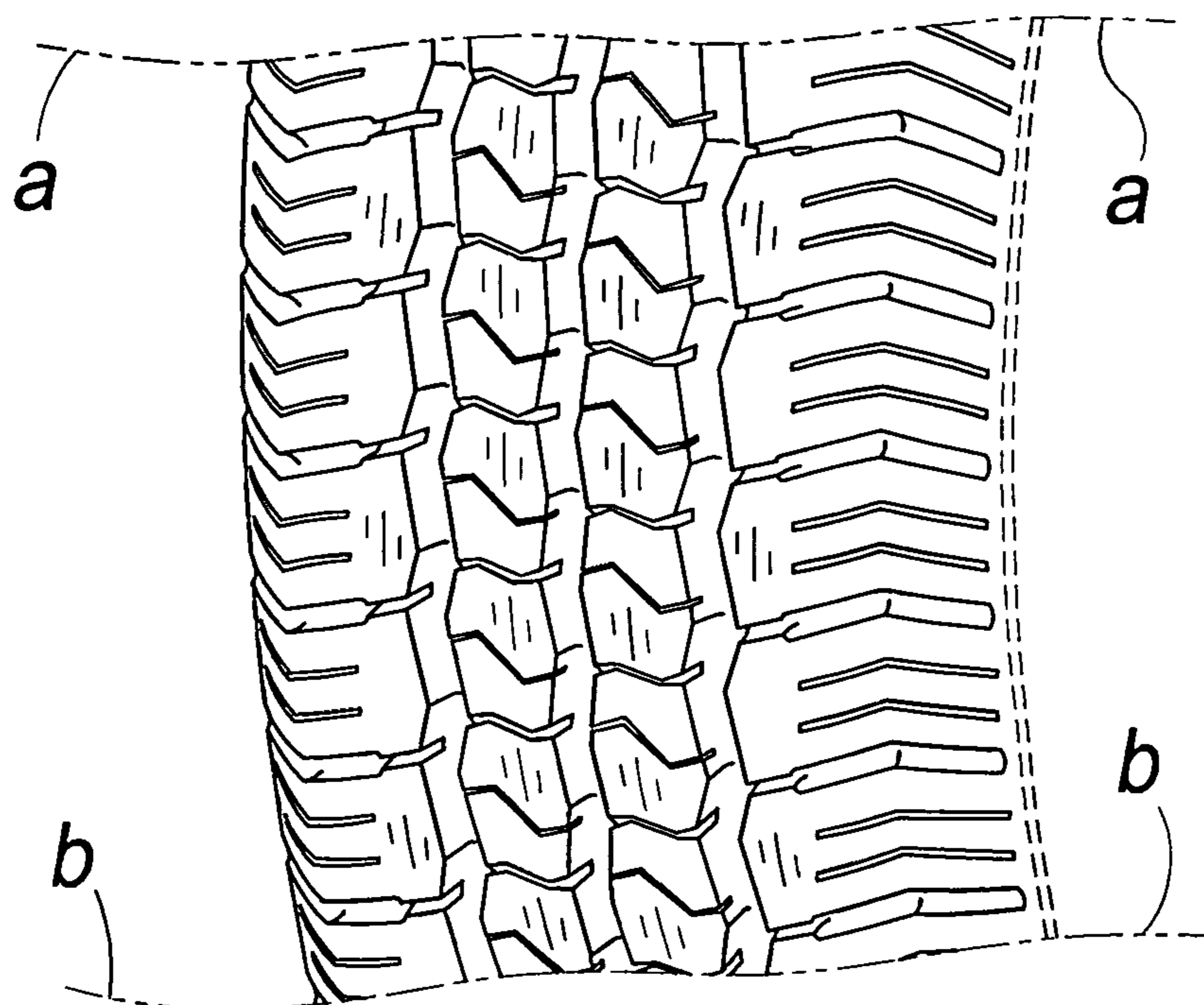


FIG. 5

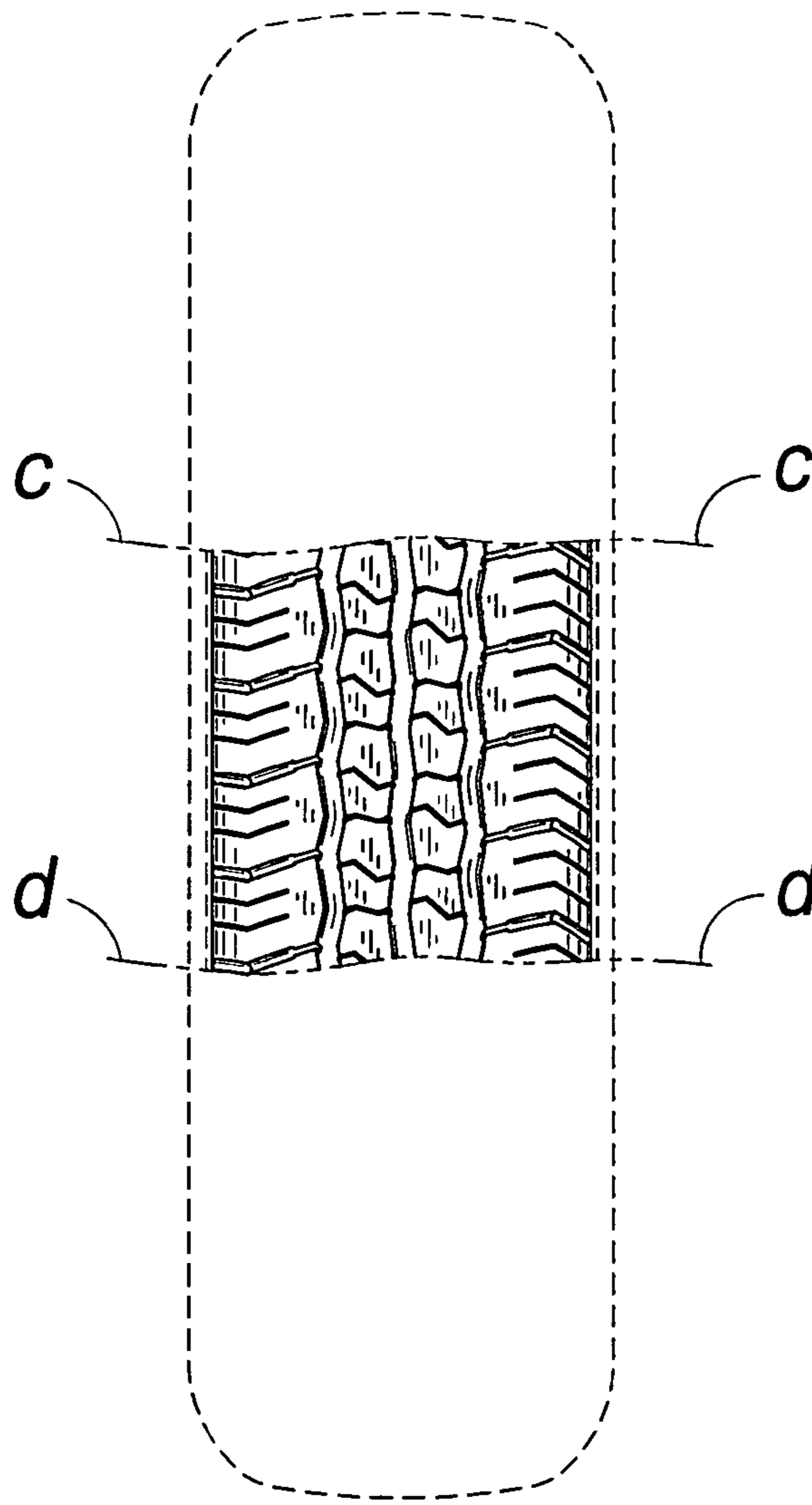


FIG. 6

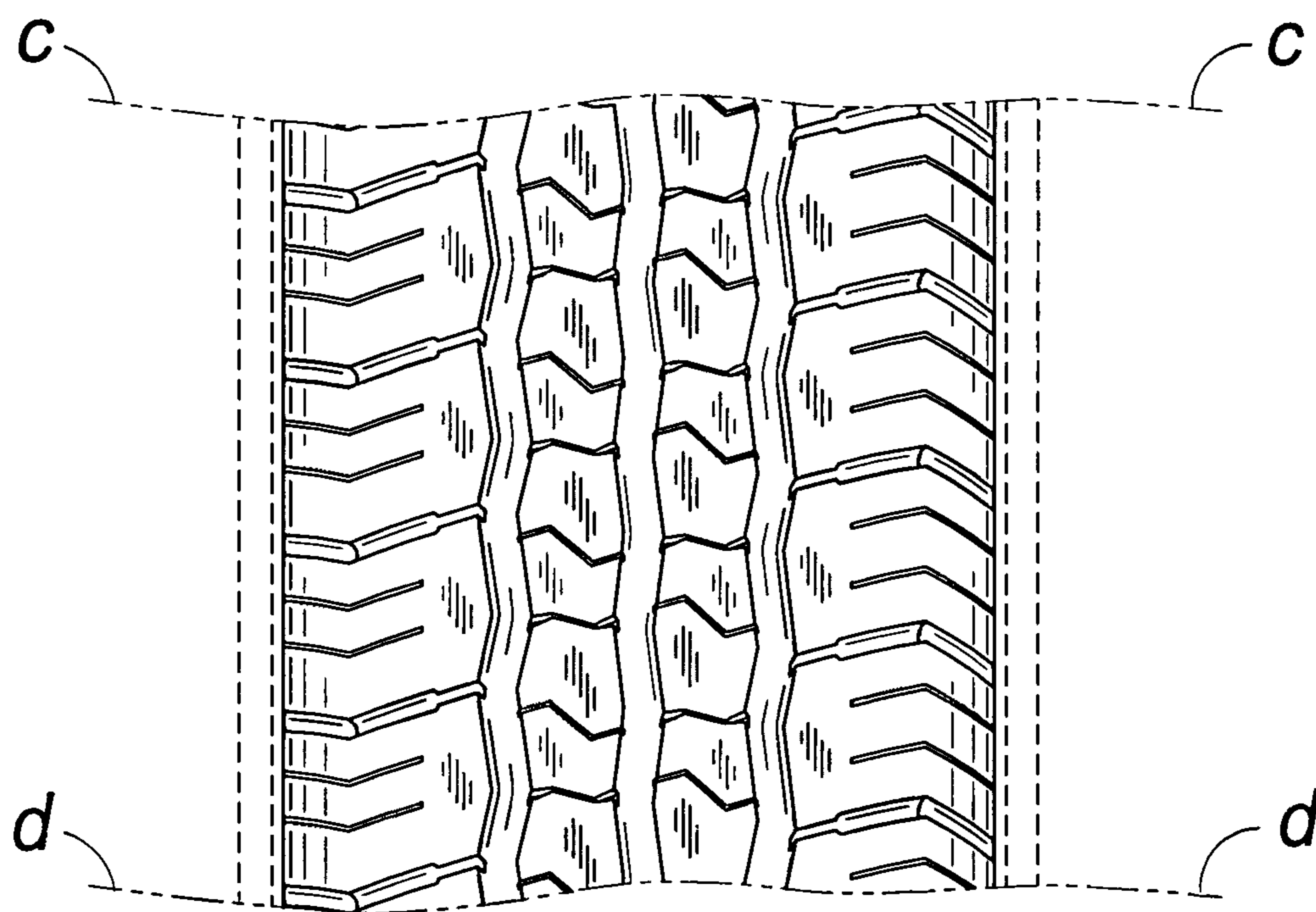


FIG. 7

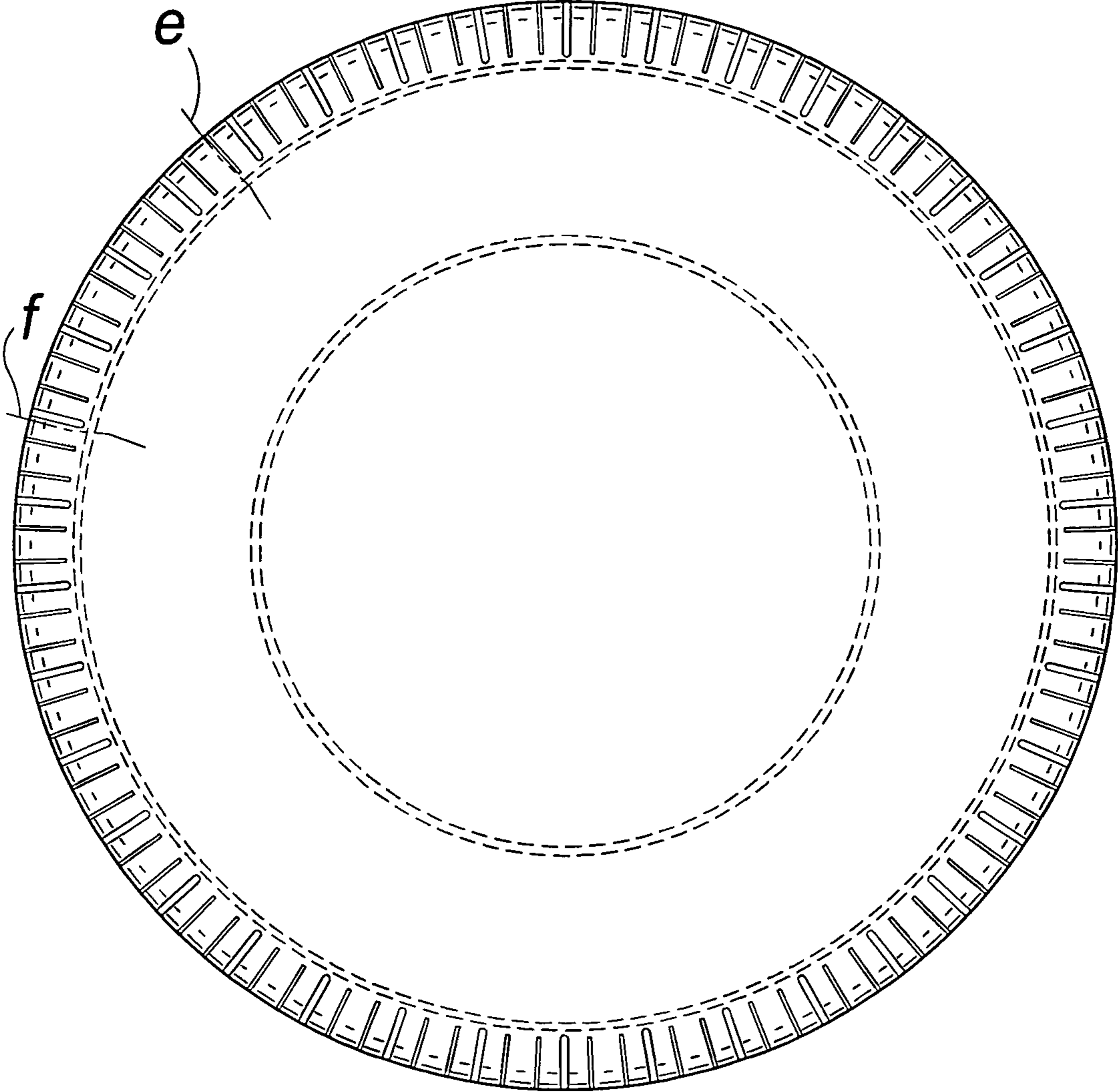


FIG. 8

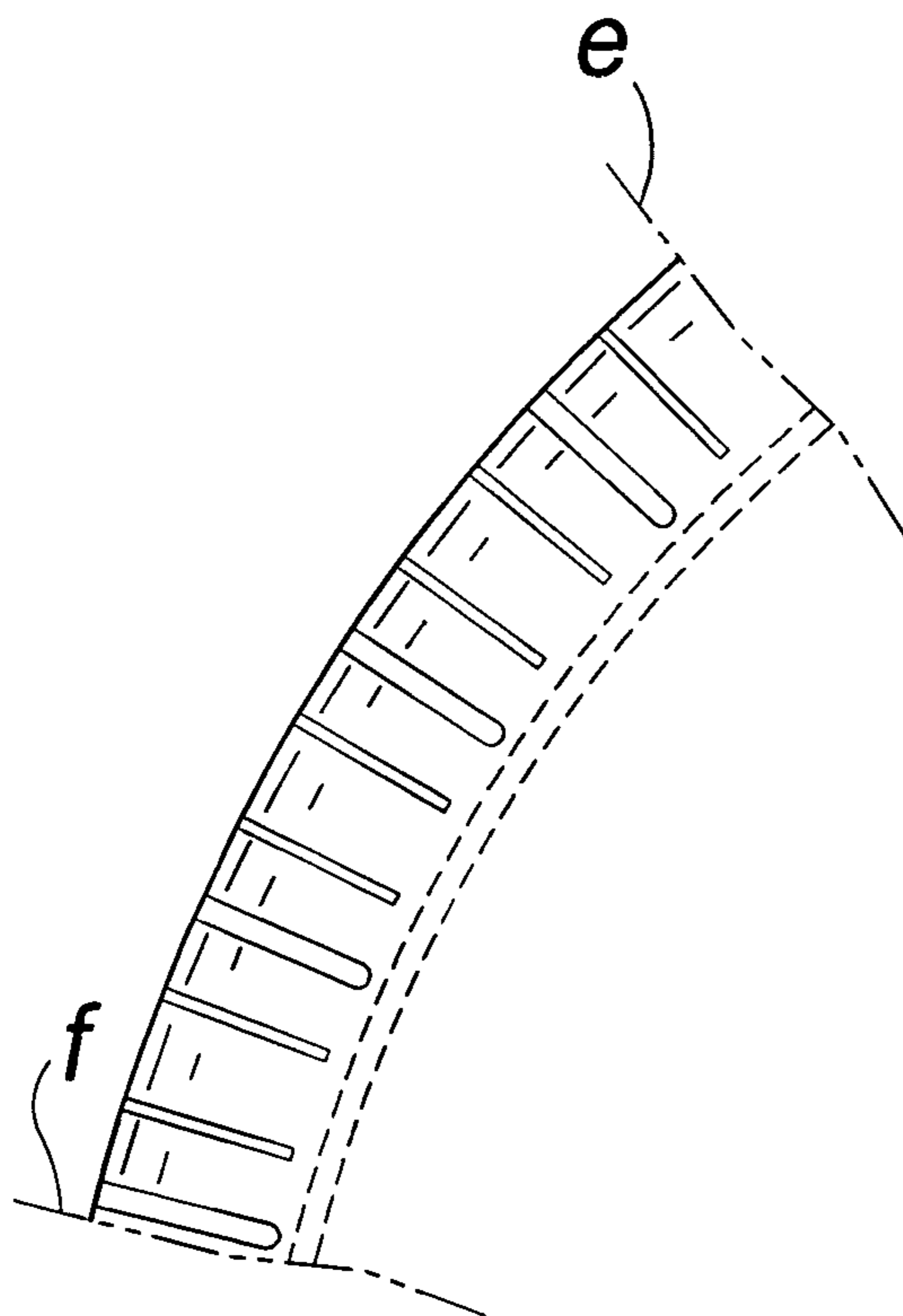


FIG. 9