



US00D700879S

(12) **United States Design Patent**
Harris et al.

(10) **Patent No.:** **US D700,879 S**
(45) **Date of Patent:** **** Mar. 11, 2014**

(54) **TIRE TREAD**

(75) Inventors: **Derick Lonell Harris**, Charlotte, NC (US); **James Utah Ford**, Greenville, SC (US); **Kevin Ray Reim**, Simpsonville, SC (US); **Alan DeFazio**, Piedmont, SC (US)

(73) Assignees: **Compagnie Generale des Etablissements Michelin**, Clermont-Ferrand (FR); **Michelin Recherche et Technique S.A.**, Granges-Paccot (CH)

(**) Term: **14 Years**

(21) Appl. No.: **29/412,741**

(22) Filed: **Feb. 7, 2012**

(51) **LOC (10) Cl.** **12-15**

(52) **U.S. Cl.**
USPC **D12/528**

(58) **Field of Classification Search**
USPC D12/505-532, 900-901;
152/209.1-209.9, 209.11-209.19,
152/209.21-209.28, 455
See application file for complete search history.

(56) **References Cited**

U.S. PATENT DOCUMENTS

D385,240 S *	10/1997	Gauthier	D12/528
D387,022 S	12/1997	Williams		
D451,859 S *	12/2001	Slingluff et al.	D12/531
D453,919 S *	2/2002	Mast et al.	D12/528
D488,768 S *	4/2004	Osborne et al.	D12/532
D502,140 S *	2/2005	Colombo et al.	D12/528
D524,237 S *	7/2006	Labbe et al.	D12/524
D528,499 S	9/2006	Creech et al.		
D530,263 S	10/2006	Creech et al.		
D545,757 S *	7/2007	Fukunaga	D12/528
D551,158 S *	9/2007	Collette et al.	D12/528
D564,440 S *	3/2008	Larregain et al.	D12/528

D647,458 S *	10/2011	Bauer et al.	D12/532
D656,889 S *	4/2012	Grolier et al.	D12/527
D675,558 S *	2/2013	Harris et al.	D12/517
D678,176 S *	3/2013	Park et al.	D12/531
D684,520 S *	6/2013	Fu	D12/532

OTHER PUBLICATIONS

Michelin Energy E3A tire, www.michelinman.com, at least as early as Aug. 22, 2011, 2 pages.
Michelin Energy LX4 tire, www.michelinman.com, at least as early as Aug. 22, 2011, 2 pages.
Michelin Energy Saver A/S tire, www.michelinman.com, at least as early as Aug. 22, 2011, 2 pages.
Michelin Energy Saver tire, www.michelinman.com, at least as early as Aug. 22, 2011, 3 pages.

(Continued)

Primary Examiner — Stacia Cadmus

(74) *Attorney, Agent, or Firm* — Dority & Manning, PA

(57) **CLAIM**

The ornamental design for a tire tread, as shown and described.

DESCRIPTION

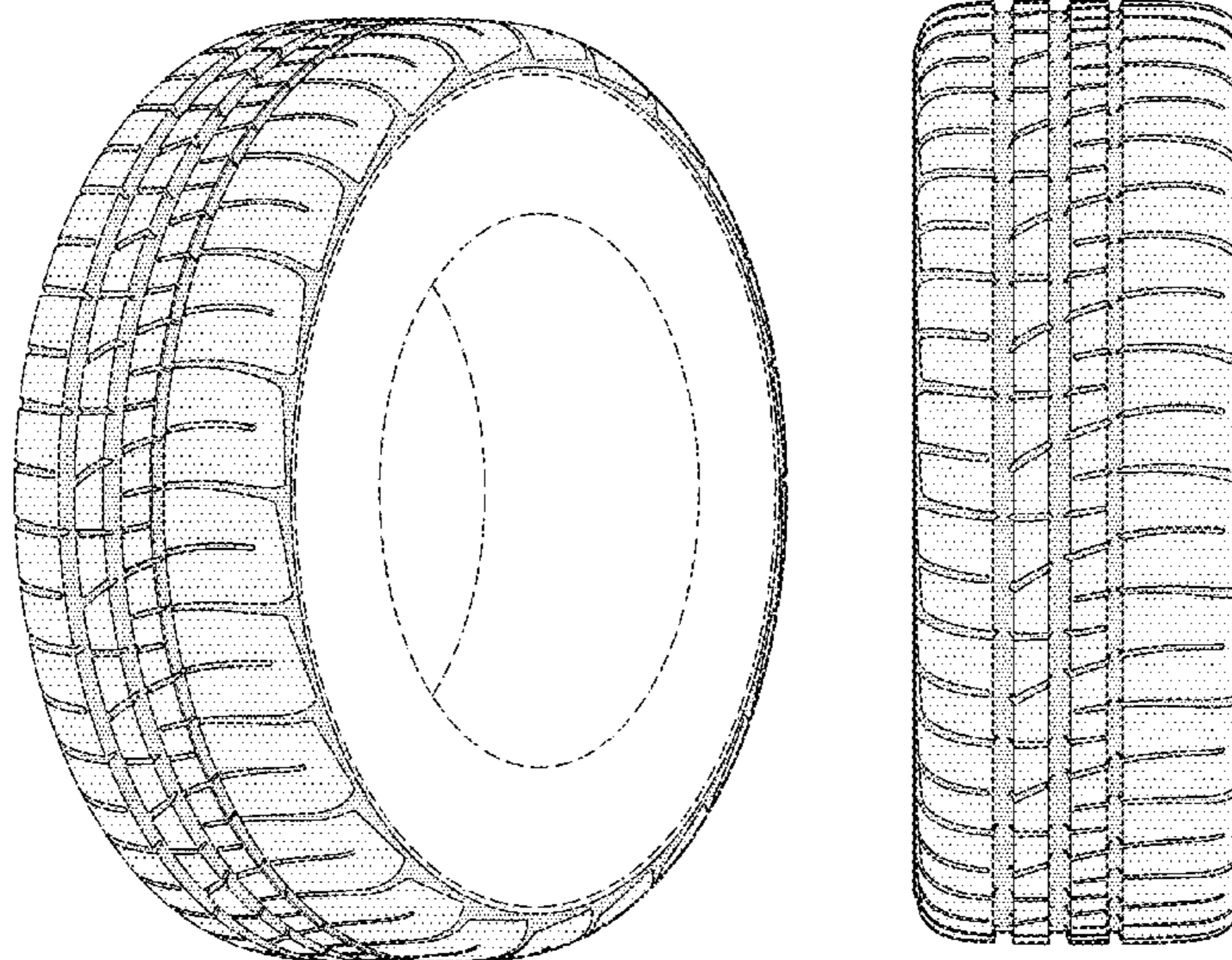
FIG. 1 is a perspective view of a tire tread showing our new design, it being understood that the tread pattern repeats circumferentially throughout the outer circumference and shoulder of the tire, the opposite side perspective being identical thereto;

FIG. 2 is a front elevation view thereof;

FIG. 3 is a side elevation view of the right side thereof; and, FIG. 4 is a side elevation view of the left side thereof.

In the drawings, the dark stippled surface shading represents the recessed groove portions of the tire tread having a depth as best illustrated along the top and bottom edges of FIG. 2. In the drawings, the broken line disclosure of the tire sidewall and inner bead depicts environmental structure and forms no part of the claimed design.

1 Claim, 4 Drawing Sheets



(56)

References Cited

OTHER PUBLICATIONS

BFGoodrich g-Force Sport tire, www.bfgoodrichtires.com, at least as early as Aug. 22, 2011, 2 pages.

BFGoodrich Traction T/A tire, www.bfgoodrichtires.com, at least as early as Aug. 22, 2011, 2 pages.

BFGoodrich Traction T/A Spec tire, www.bfgoodrichtires.com, at least as early as Aug. 22, 2011, 2 pages.

* cited by examiner

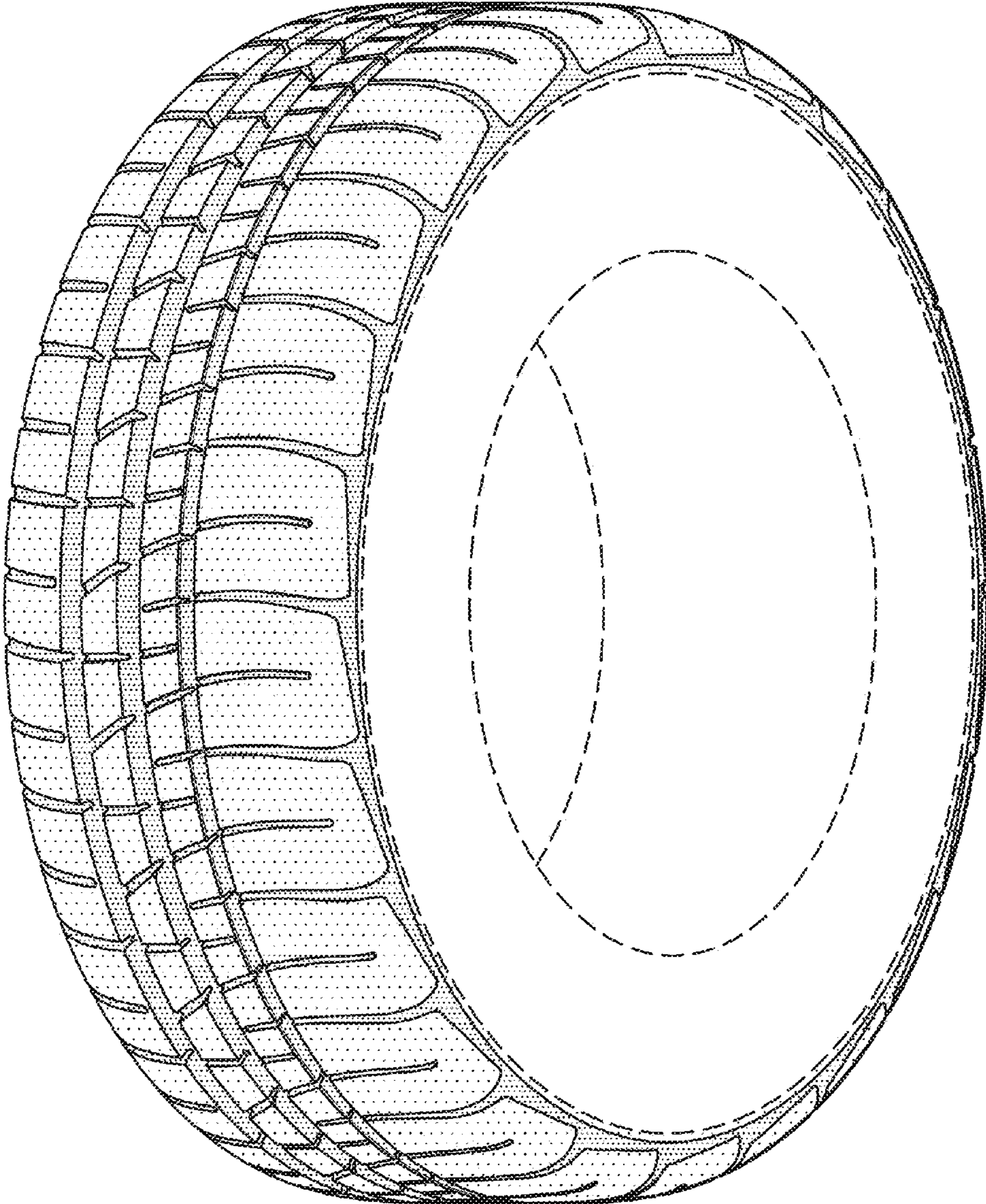


FIG. -1-

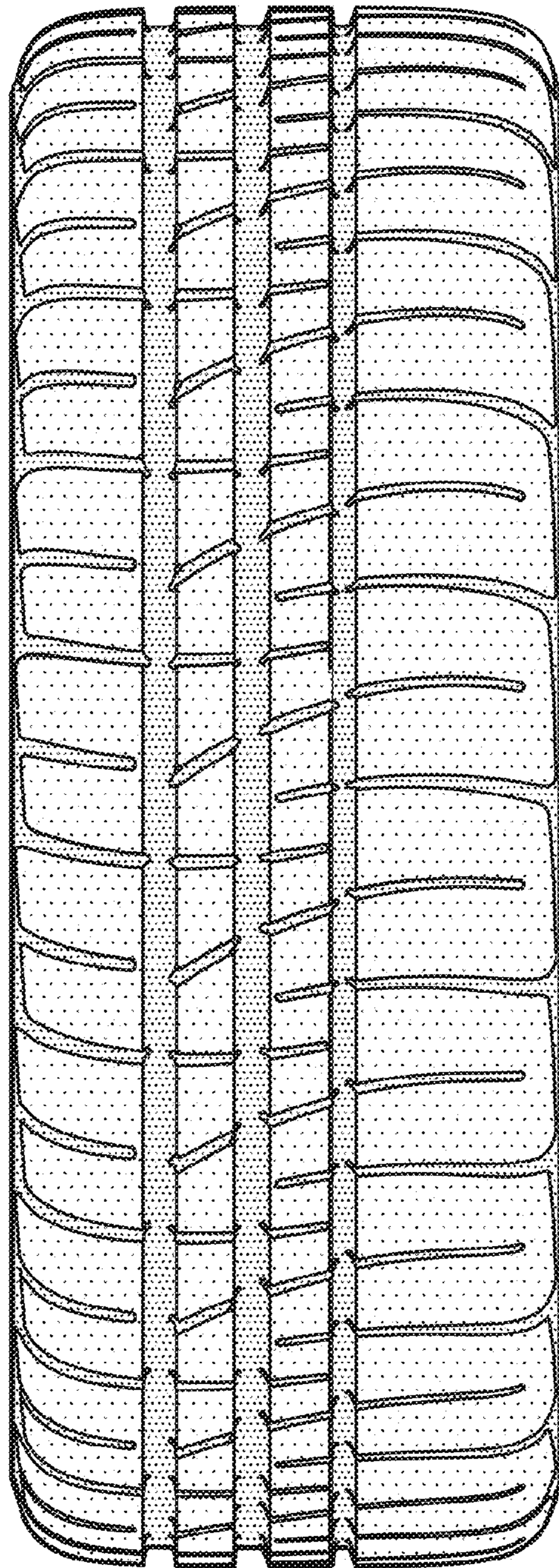


FIG. -2-

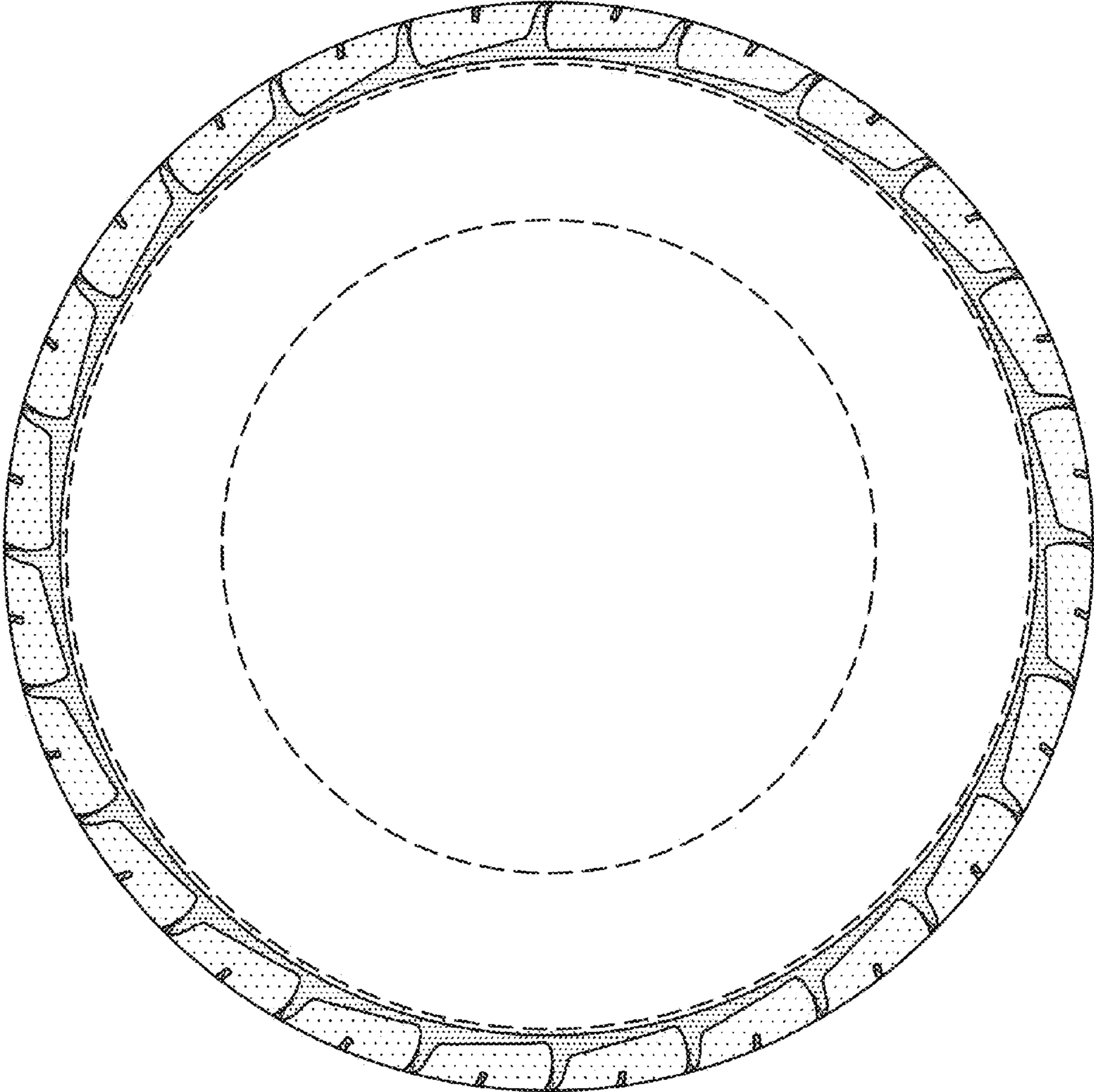


FIG. -3-

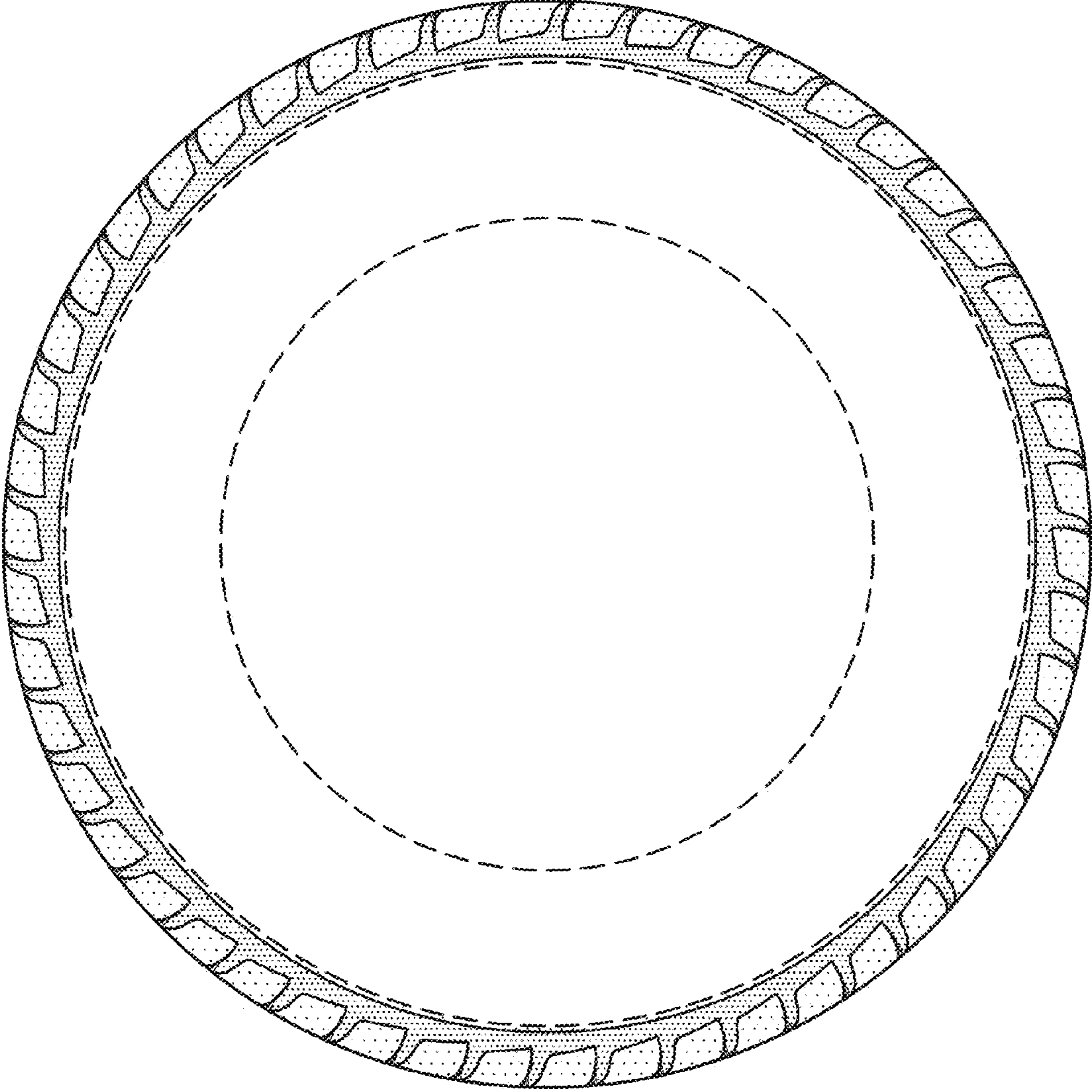


FIG. - 4 -