



US00D700874S

(12) **United States Design Patent**
Lee

(10) **Patent No.:** **US D700,874 S**
(45) **Date of Patent:** **** Mar. 11, 2014**

- (54) **FENDER GUARD FOR AUTOMOBILE**
- (71) Applicant: **Auto Clover Co., Ltd**, Daegu (KR)
- (72) Inventor: **Kwan Min Lee**, Kyongbuk (KR)
- (73) Assignee: **Auto Clover Co., Ltd.**, Daegu (KR)
- (**) Term: **14 Years**
- (21) Appl. No.: **29/435,458**
- (22) Filed: **Oct. 24, 2012**
- (30) **Foreign Application Priority Data**
Apr. 28, 2012 (KR) 30-2012-0020700
- (51) **LOC (10) Cl.** **12-16**
- (52) **U.S. Cl.**
USPC **D12/184**
- (58) **Field of Classification Search**
USPC D12/101, 106, 184, 190, 196; 150/154;
280/152.1, 152.2, 152.3, 160.1,
280/414.1-414.3, 770, 847-851; 296/192,
296/193.04, 193.05, 198; 180/223, 225,
180/229, 311, 312, 315
See application file for complete search history.

D482,992 S *	12/2003	Hattori et al.	D12/184
D516,481 S *	3/2006	Metros et al.	D12/190
D517,965 S *	3/2006	Metros et al.	D12/190
D546,253 S *	7/2007	Lee et al.	D12/184
D591,658 S *	5/2009	Golden et al.	D12/184
D610,511 S *	2/2010	Dubanowski et al.	D12/181
8,118,329 B2 *	2/2012	Braga	280/848
2002/0158460 A1 *	10/2002	Logan	280/848

FOREIGN PATENT DOCUMENTS

JP 2000103364 A * 4/2000 B62D 25/16

* cited by examiner

Primary Examiner — Philip S Hyder

Assistant Examiner — Darlington Ly

(74) *Attorney, Agent, or Firm* — Saliwanchik, Lloyd & Eisenschenk

(57) **CLAIM**

The ornamental design for a fender guard for automobile, as shown and described.

DESCRIPTION

FIG. 1 is a front, right side, perspective view of a fender guard for automobile showing my new design; FIG. 2 is a front elevation view thereof; FIG. 3 is a rear elevation view thereof; FIG. 4 is a left side elevation view thereof; FIG. 5 is a right side elevation view thereof; FIG. 6 is a top plan view thereof; and, FIG. 7 is a bottom plan view thereof.

1 Claim, 2 Drawing Sheets

(56) **References Cited**

U.S. PATENT DOCUMENTS

4,169,608 A *	10/1979	Logan	280/848
4,620,745 A *	11/1986	Jacobs	296/198
5,238,268 A *	8/1993	Logan	280/848
D382,239 S *	8/1997	Logan et al.	D12/184

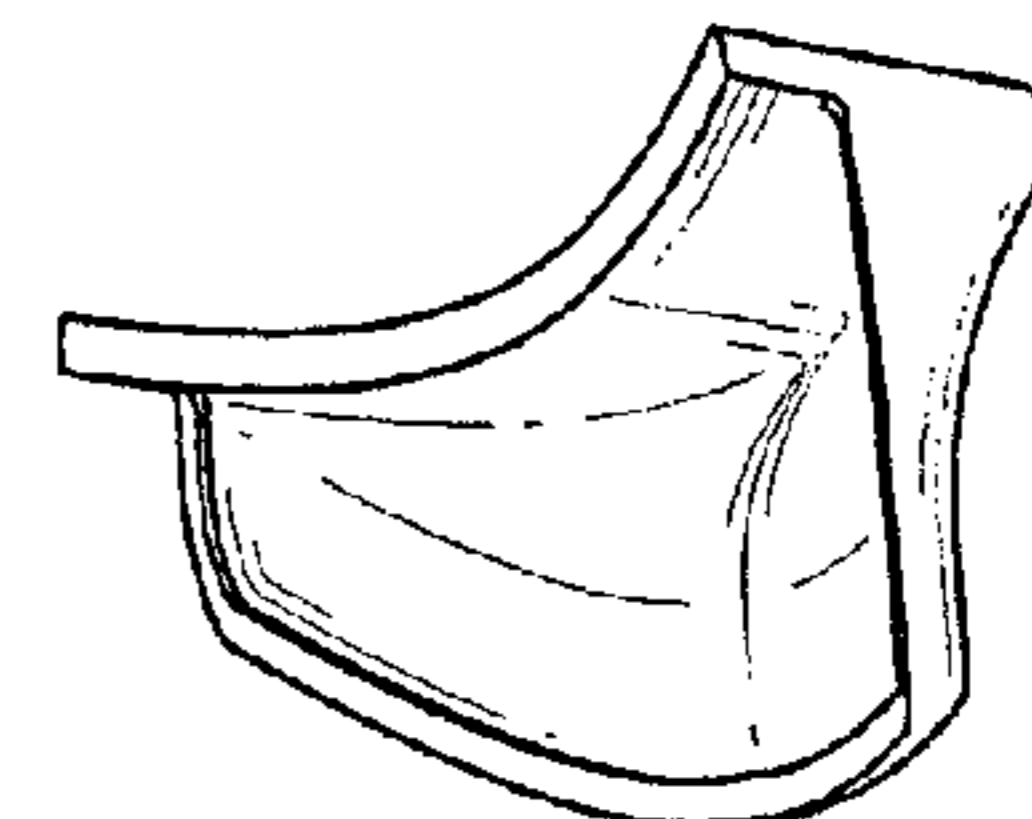
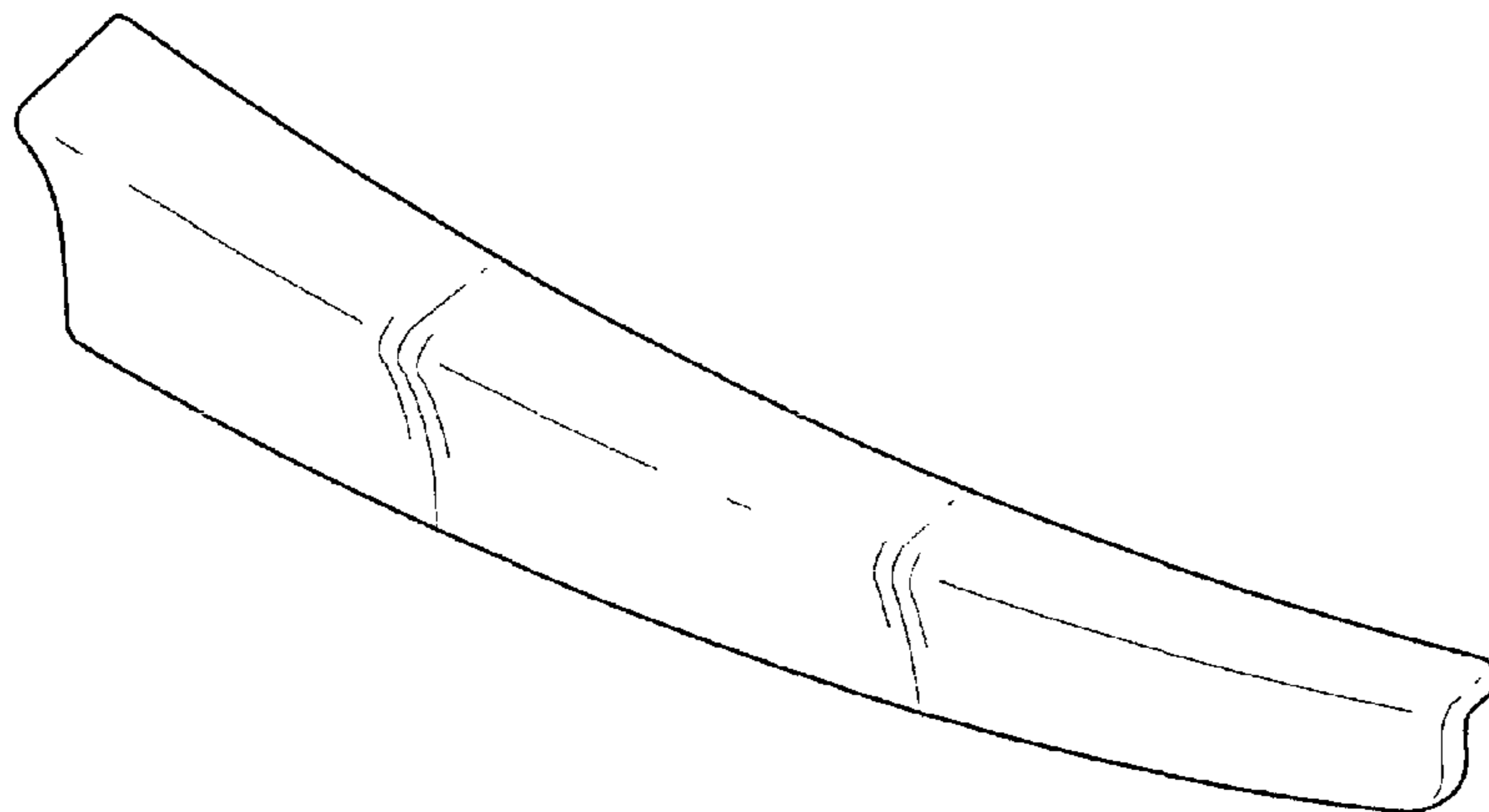


FIG. 1

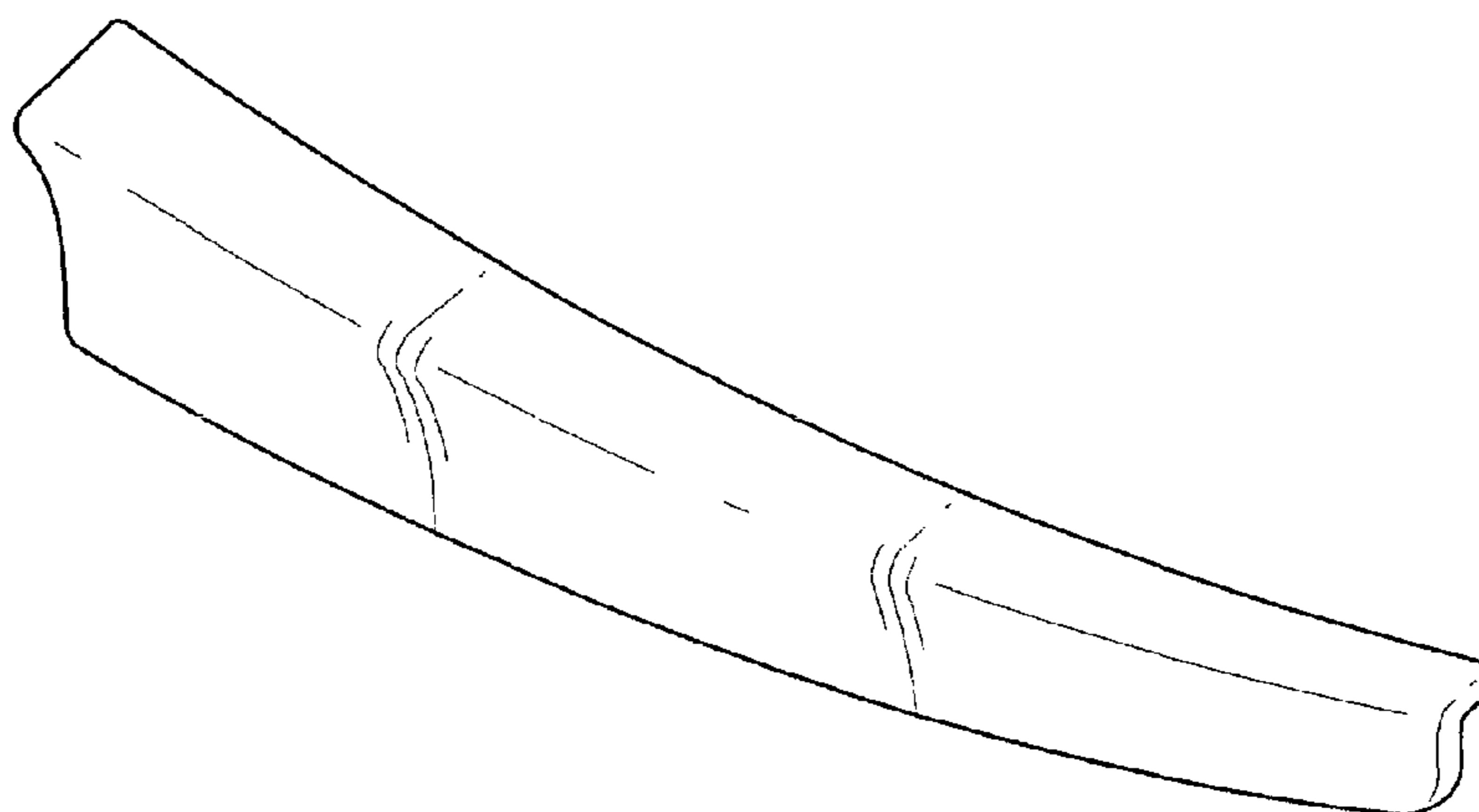


FIG. 2



FIG. 3



FIG. 4

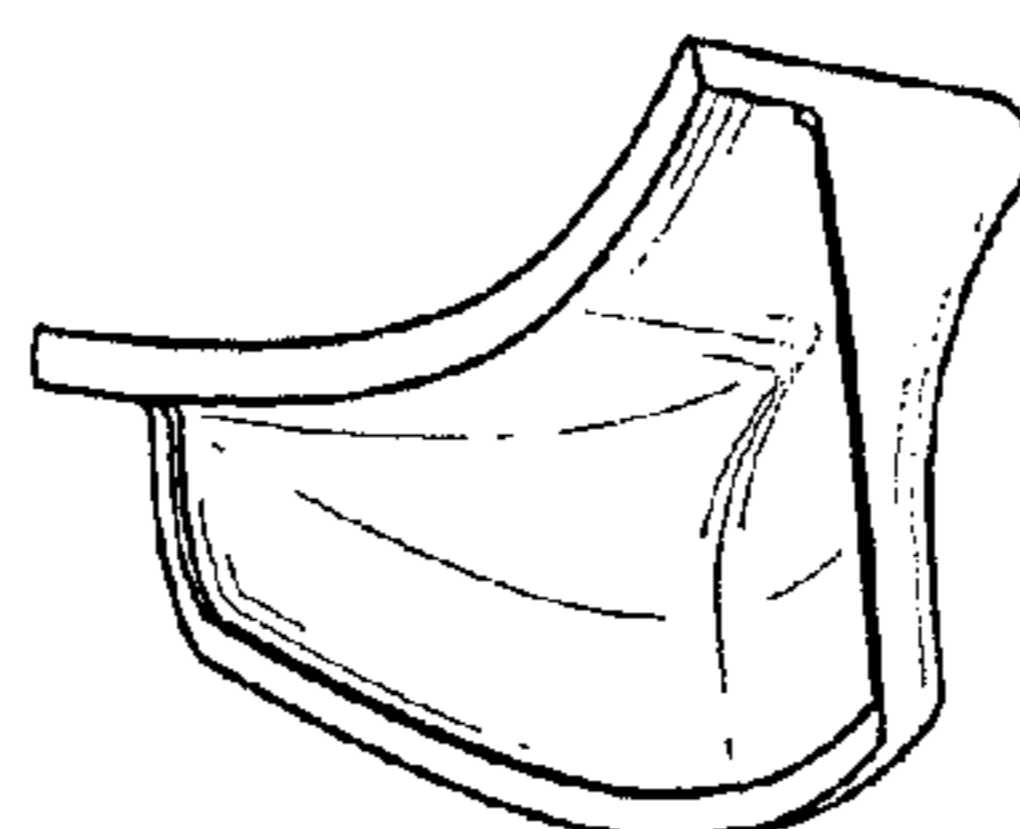


FIG. 5

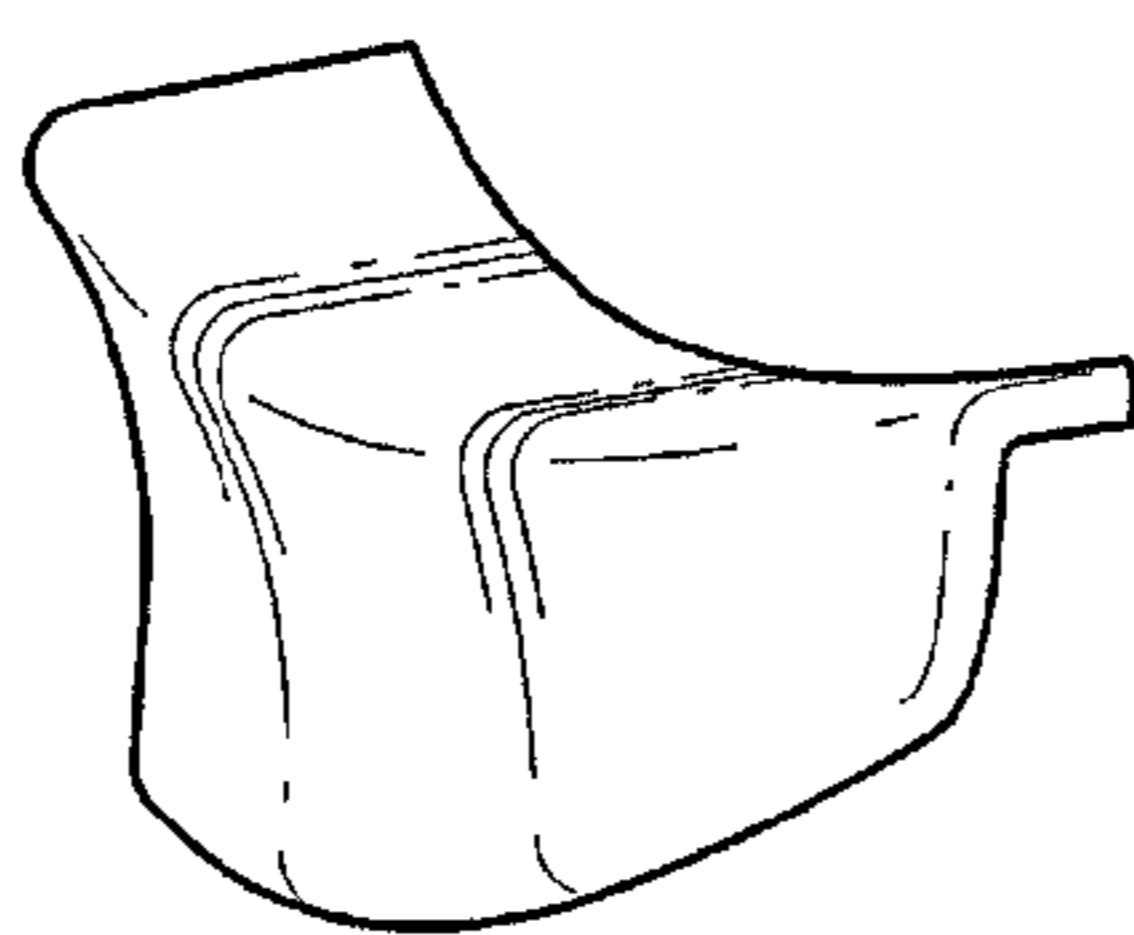


FIG. 6

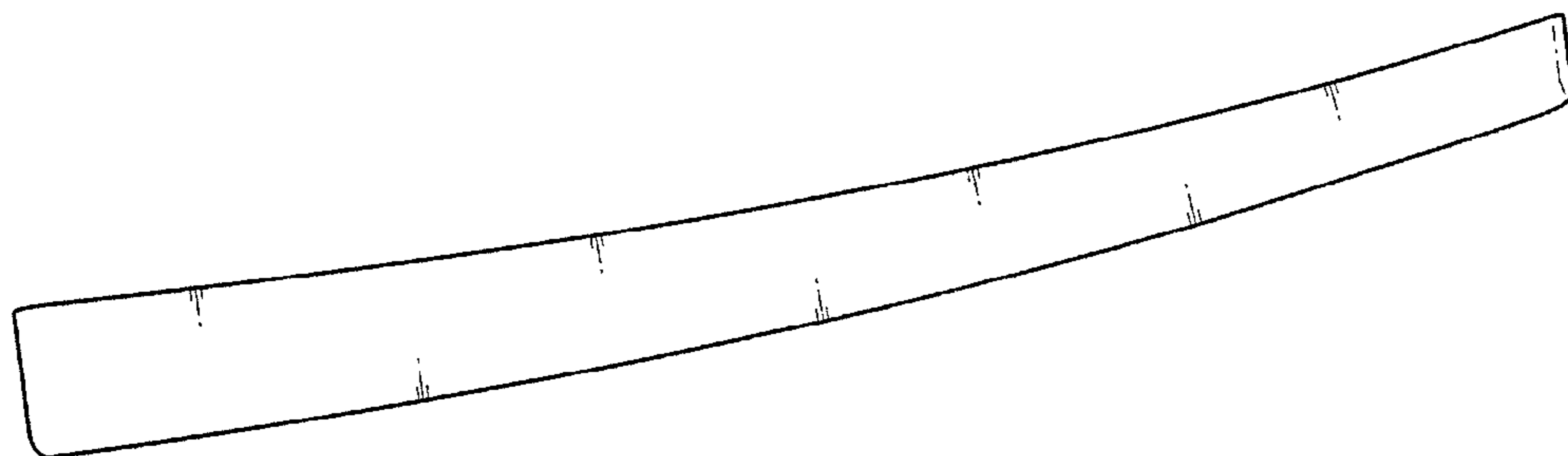


FIG. 7

