



US00D700871S

(12) **United States Design Patent**
O'Donnell et al.

(10) **Patent No.:** **US D700,871 S**
(45) **Date of Patent:** **** Mar. 11, 2014**

- (54) **VEHICLE BODY EXTERIOR**
- (71) Applicant: **GM Global Technology Operations LLC**, Detroit, MI (US)
- (72) Inventors: **Kevin M. O'Donnell**, Beverly Hills, MI (US); **Junglim Huh**, Rochester Hills, MI (US); **Craig J. Janos**, Warren, MI (US); **Reginald M. Gay**, Southfield, MI (US)
- (73) Assignee: **GM Global Technology Operations LLC**, Detroit, MI (US)
- (**) Term: **14 Years**
- (21) Appl. No.: **29/435,117**
- (22) Filed: **Oct. 19, 2012**
- (51) **LOC (10) Cl.** **12-08**
- (52) **U.S. Cl.**
USPC **D12/98**
- (58) **Field of Classification Search**
USPC D12/86, 90-92, 98; 296/181.1, 181.5, 296/183.1, 37.6
See application file for complete search history.

- D600,595 S 9/2009 Nakamura et al.
- D601,925 S 10/2009 O'Donnell
- D604,203 S 11/2009 O'Donnell
- D618,595 S 6/2010 Ware et al.
- D657,718 S 4/2012 Zipfel et al.
- D659,052 S 5/2012 Ware et al.
- D659,053 S 5/2012 Ware et al.

OTHER PUBLICATIONS

Design U.S. Appl. No. 29/406,032, filed Nov. 9, 2011; First Named Inventor: In Ho Song; Title: Vehicle Body.

* cited by examiner

Primary Examiner — Melody Brown

(74) *Attorney, Agent, or Firm* — Lionel D. Anderson; Reising Ethington P.C.

(57) **CLAIM**

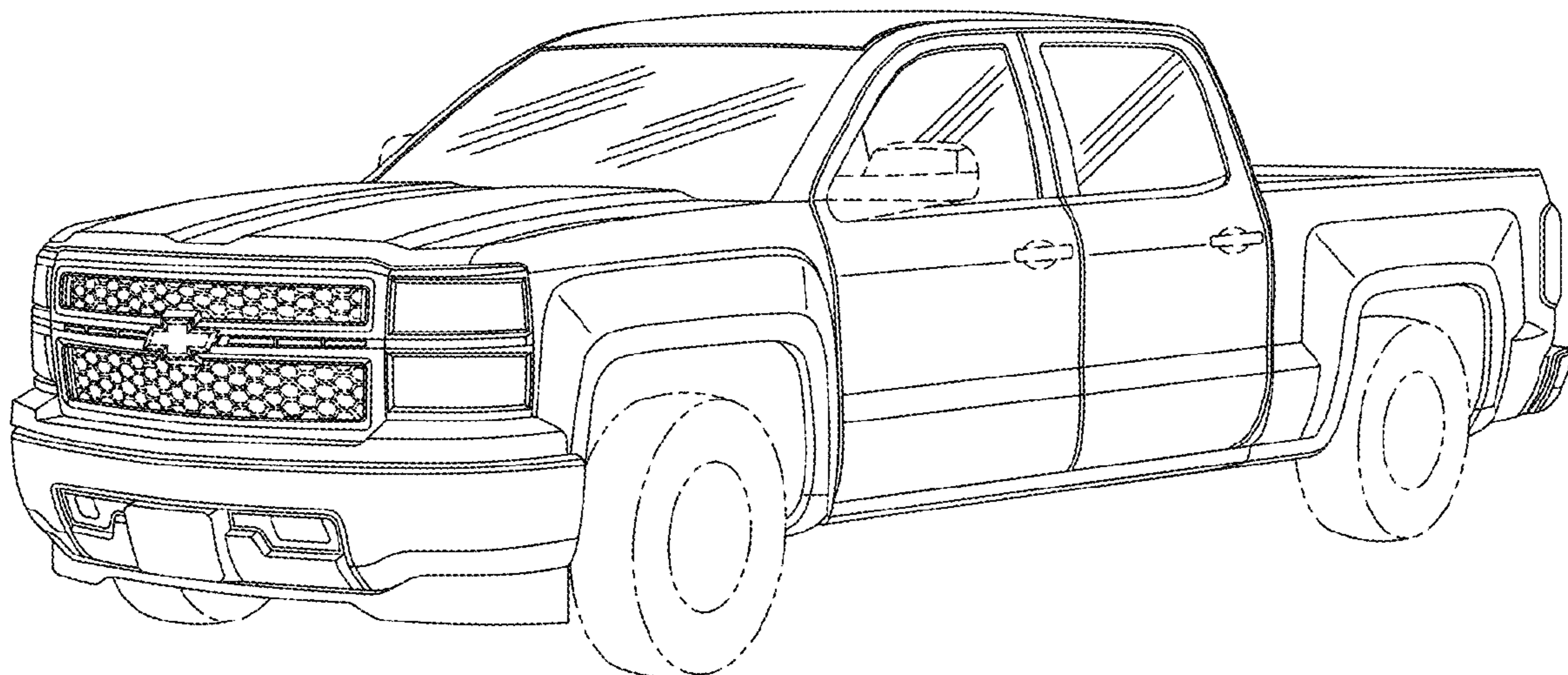
The ornamental design for a vehicle body exterior, as shown and described and described.

DESCRIPTION

FIG. 1 is a front view of a vehicle body exterior; FIG. 2 is a perspective view of the vehicle body exterior; FIG. 3 is a right side view of the vehicle body exterior; FIG. 4 is a top view of the vehicle body exterior; FIG. 5 is a perspective view of the vehicle body exterior; and, FIG. 6 is a rear view of the vehicle body exterior. In the drawings, the portions shown by broken lines form no part of the claim, and the left side view of the vehicle body exterior is omitted because the left side view is identical to the right side view.

1 Claim, 6 Drawing Sheets

- (56) **References Cited**
U.S. PATENT DOCUMENTS
D570,742 S 6/2008 Takagi et al.
D586,699 S * 2/2009 Opfer et al. D12/98
D588,501 S * 3/2009 Krugger et al. D12/98
D589,407 S * 3/2009 Krugger et al. D12/98



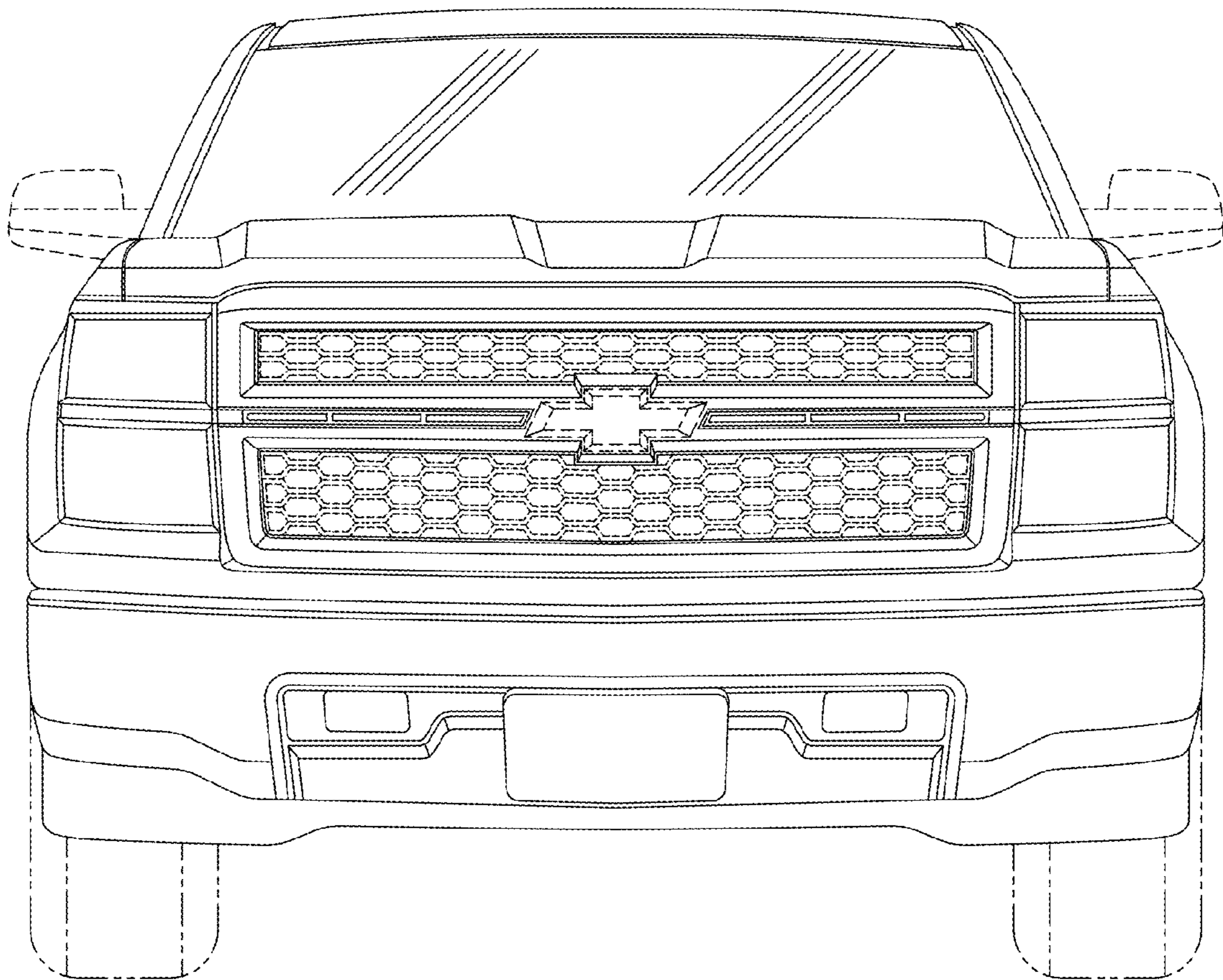


Fig-1

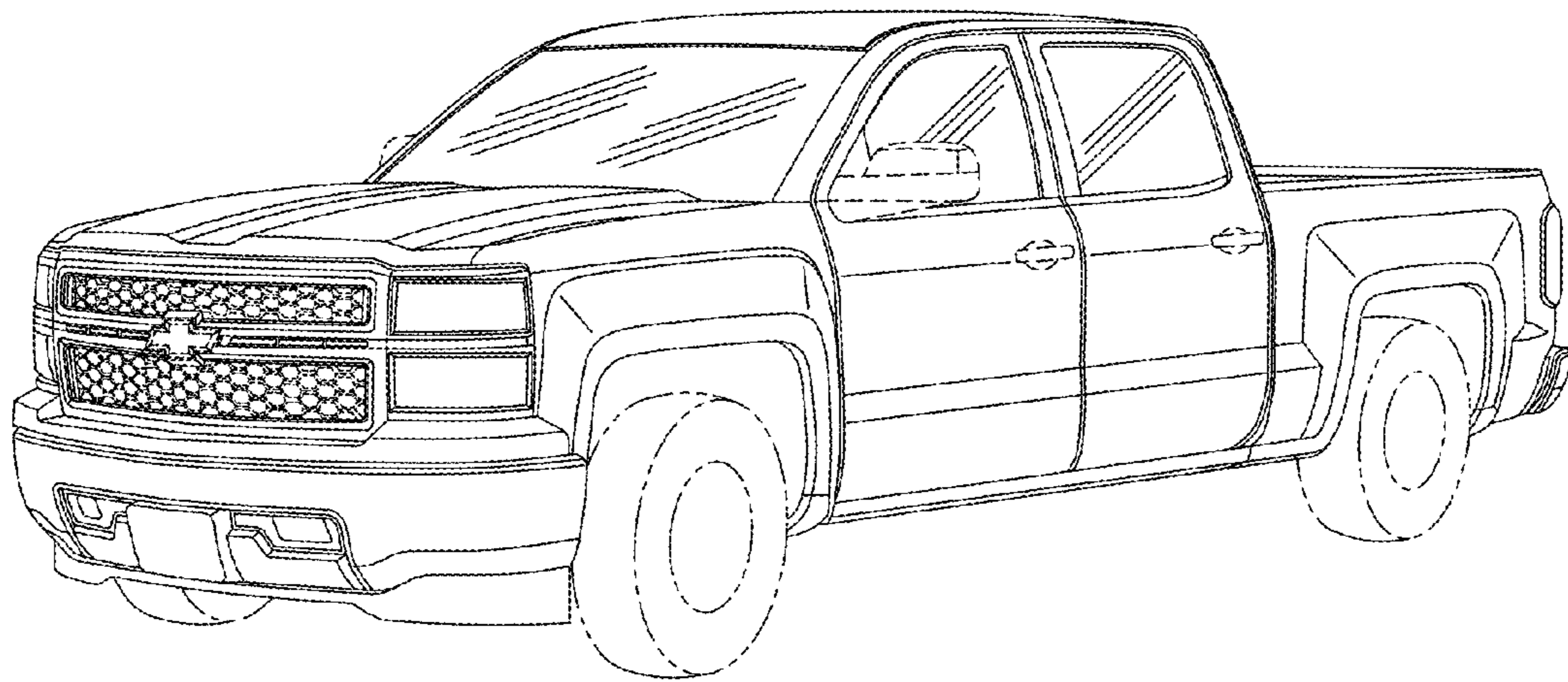


Fig-2

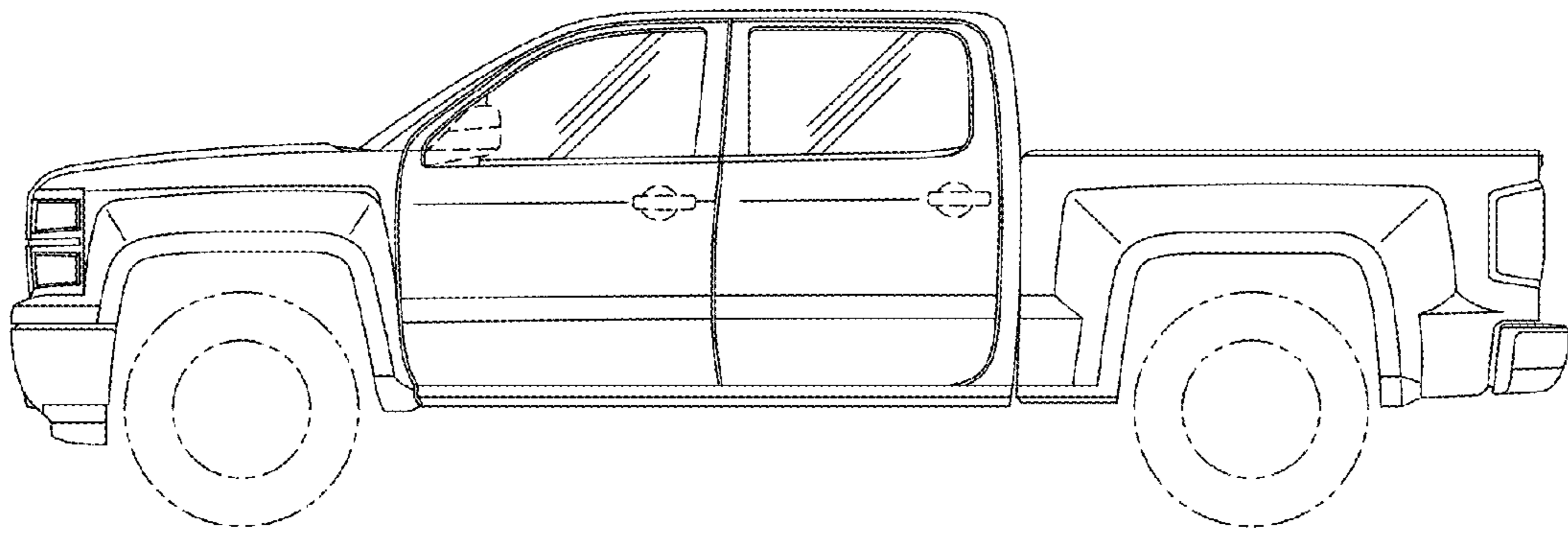


Fig-3

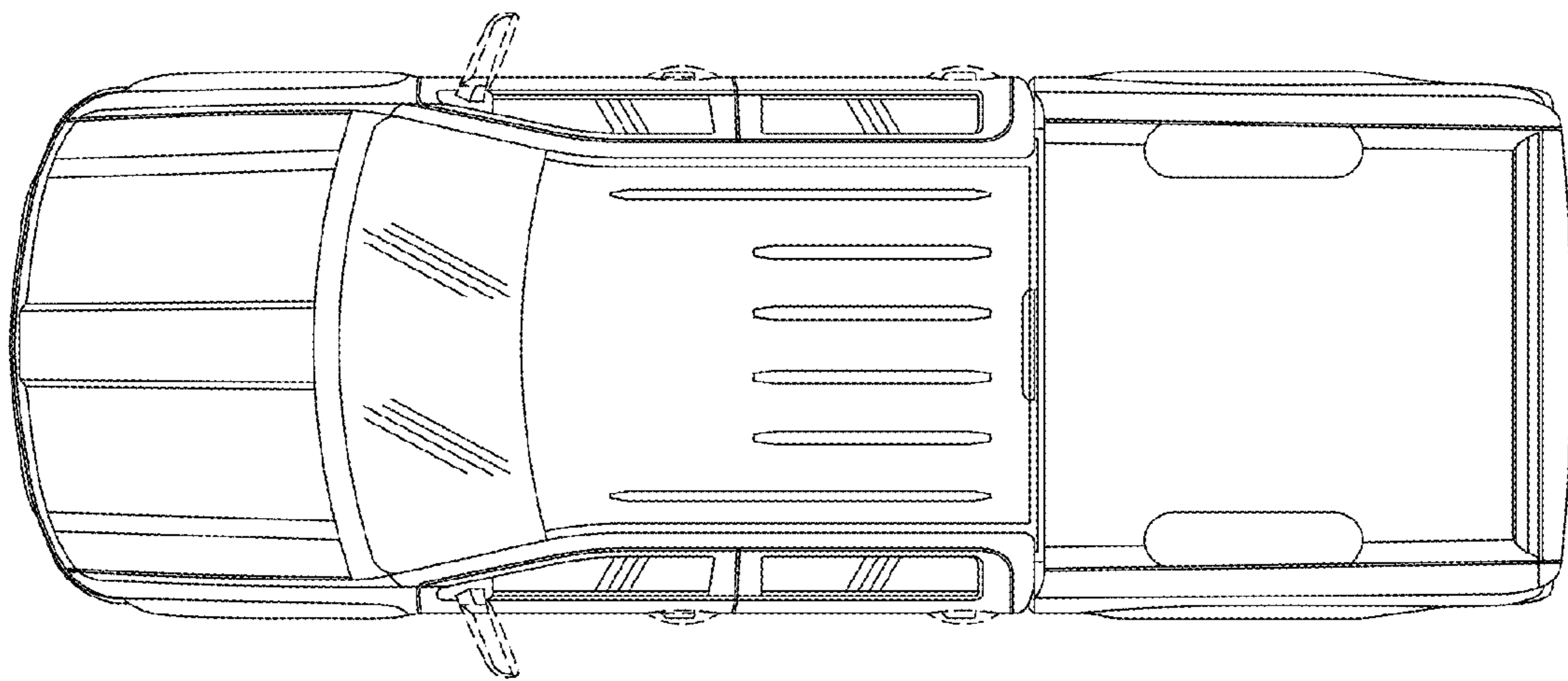


Fig-4

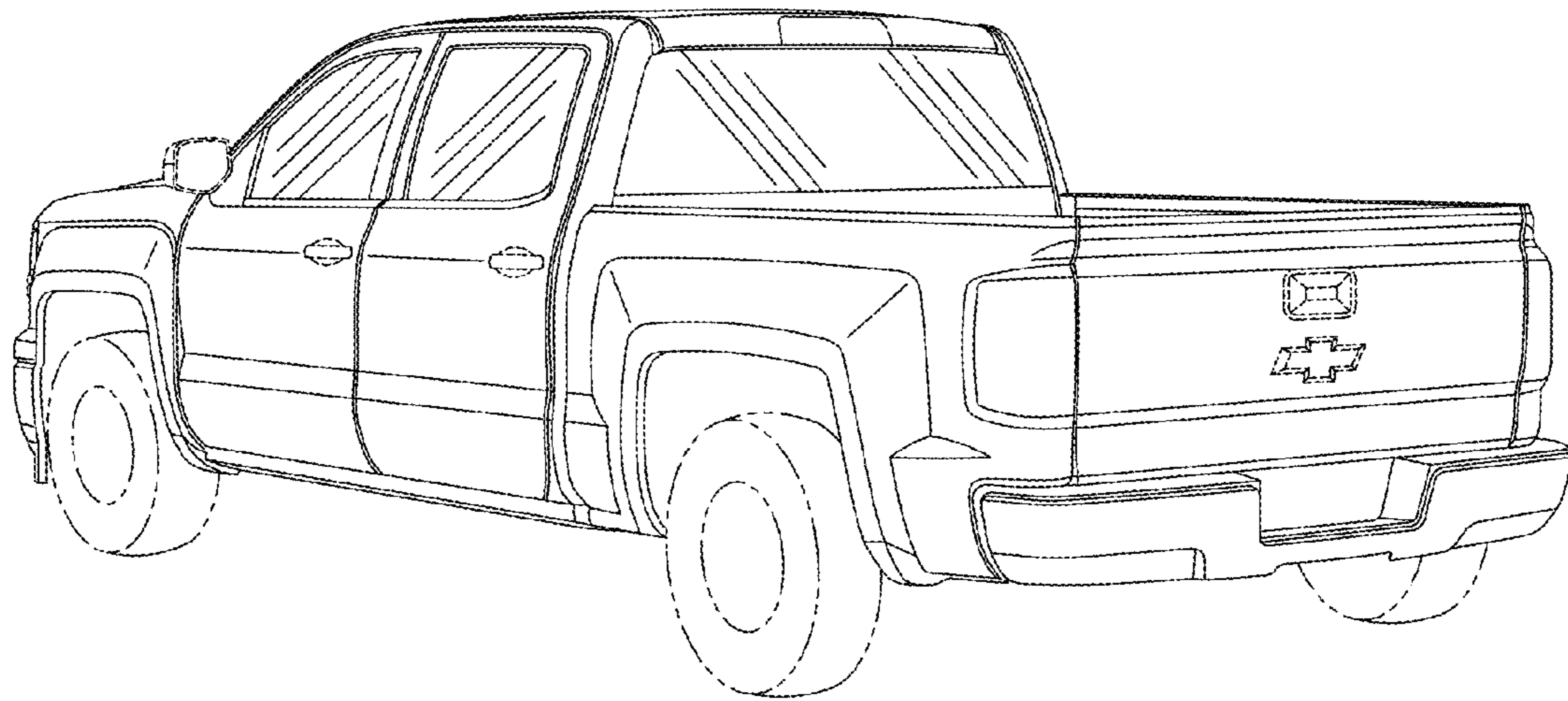


Fig-5

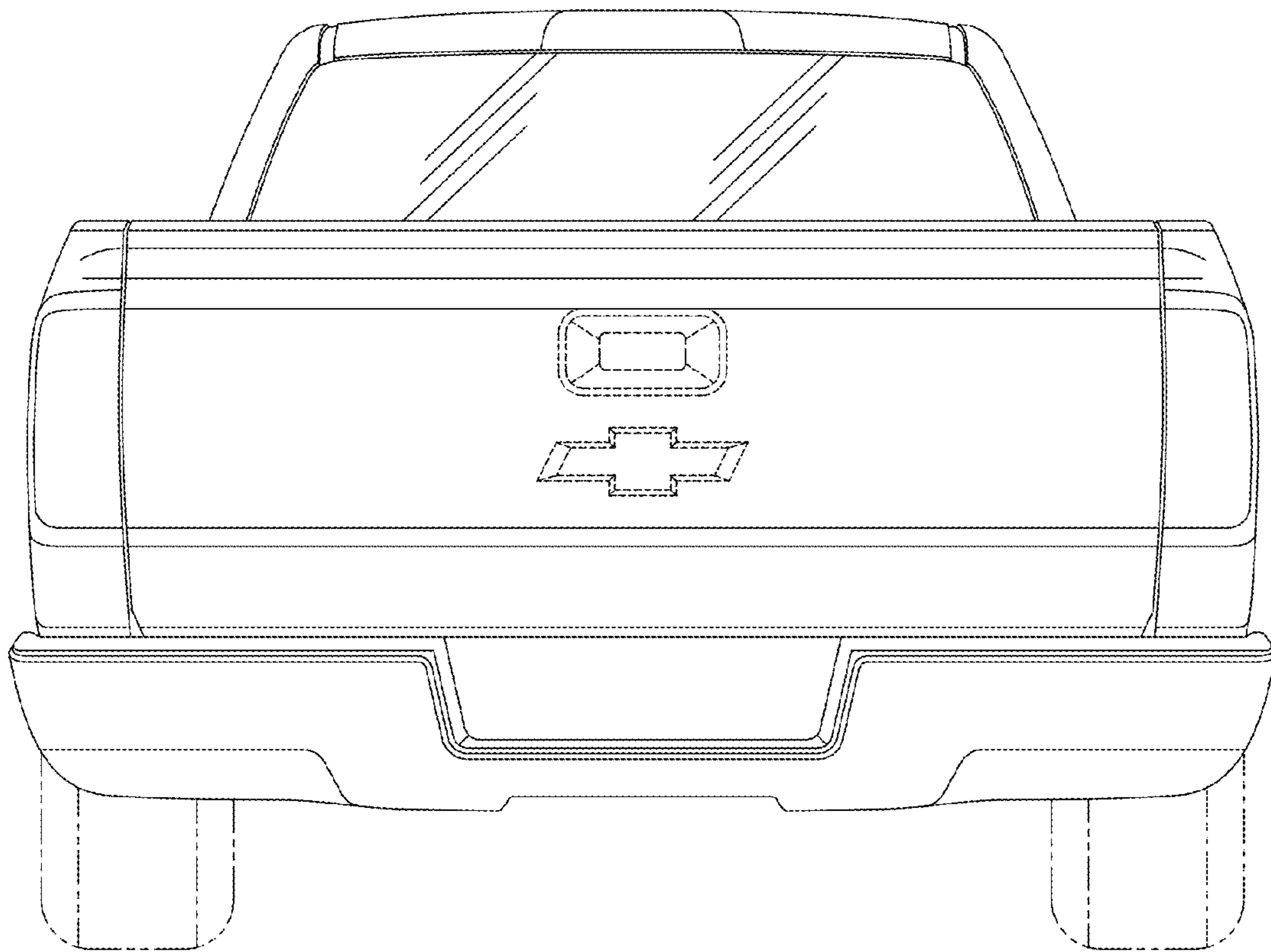


Fig-6