



US00D700859S

(12) **United States Design Patent**
Neubert

(10) **Patent No.:** **US D700,859 S**
(45) **Date of Patent:** **** Mar. 11, 2014**

(54) **STACKABLE RUNWAY BARRIER FOR AIRPORTS**

6,349,667 B1 * 2/2002 Rogers et al. 116/209
7,922,420 B2 * 4/2011 Christensen et al. 404/6
2007/0022939 A1 * 2/2007 Stokes 116/63 P

(71) Applicant: **Timothy W. Neubert**, Tampa, FL (US)

* cited by examiner

(72) Inventor: **Timothy W. Neubert**, Tampa, FL (US)

Primary Examiner — George D Kirschbaum

(73) Assignee: **Neubert Aero Corp.**, Brooksville, FL (US)

(74) *Attorney, Agent, or Firm* — Dennis L. Cook, Esq.

(**) Term: **14 Years**

(57) **CLAIM**

The ornamental design for a stackable runway barrier for airports, as shown and described.

(21) Appl. No.: **29/455,960**

DESCRIPTION

(22) Filed: **May 28, 2013**

(51) **LOC (10) Cl.** **10-05**

(52) **U.S. Cl.**
USPC **D10/113.3**

(58) **Field of Classification Search**
USPC D10/109, 113.1–113.4; 116/63 R;
404/9–16

See application file for complete search history.

FIG. 1 is a perspective view of a stackable runway barrier for airports showing my new design;
FIG. 2 is a perspective upside down view of a stackable runway barrier for airports showing my new design;
FIG. 3 is a front view of a stackable runway barrier for airports showing my new design;
FIG. 4 is a back view of a stackable runway barrier for airports showing my new design;
FIG. 5 is a side view s of a stackable runway barrier for airports showing both sides of my new design;
FIG. 6 is a top view of a stackable runway barrier for airports showing my new design; and,
FIG. 7 is a bottom view of a stackable runway barrier for airports showing my new design.

The broken line showing of flags and a light is included for the purpose of illustrating portions of the “article” and forms no part of the claimed design.

(56) **References Cited**

U.S. PATENT DOCUMENTS

D60,735 S * 3/1922 Rogers D10/113.2
D73,128 S * 7/1927 Harris D20/40
5,115,343 A * 5/1992 Bennett 359/529
D350,301 S * 9/1994 McNally et al. D10/113.2
5,729,215 A * 3/1998 Jutras 340/908.1
D411,810 S * 7/1999 Stockman D10/109.2

1 Claim, 5 Drawing Sheets

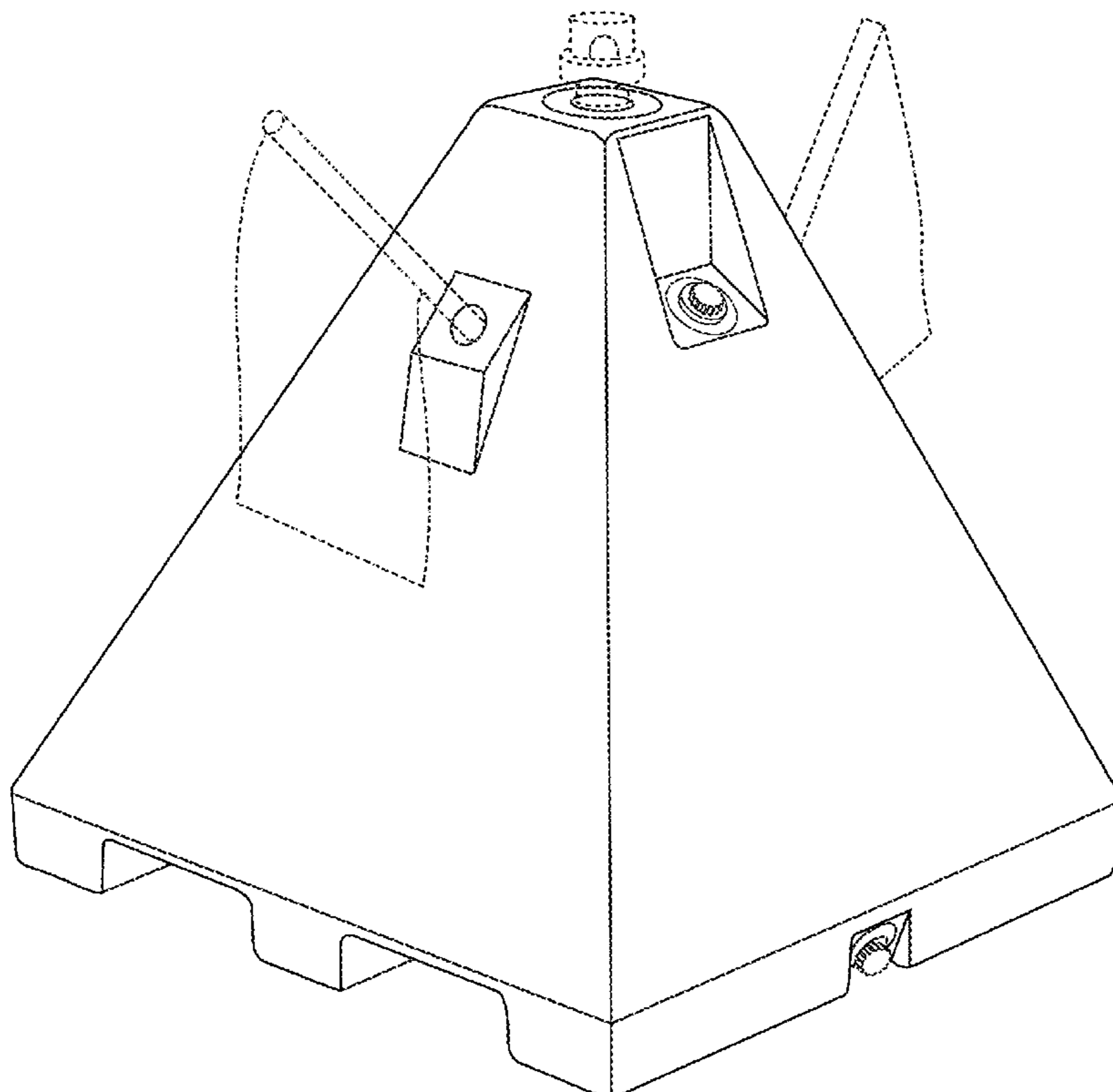


Figure 1

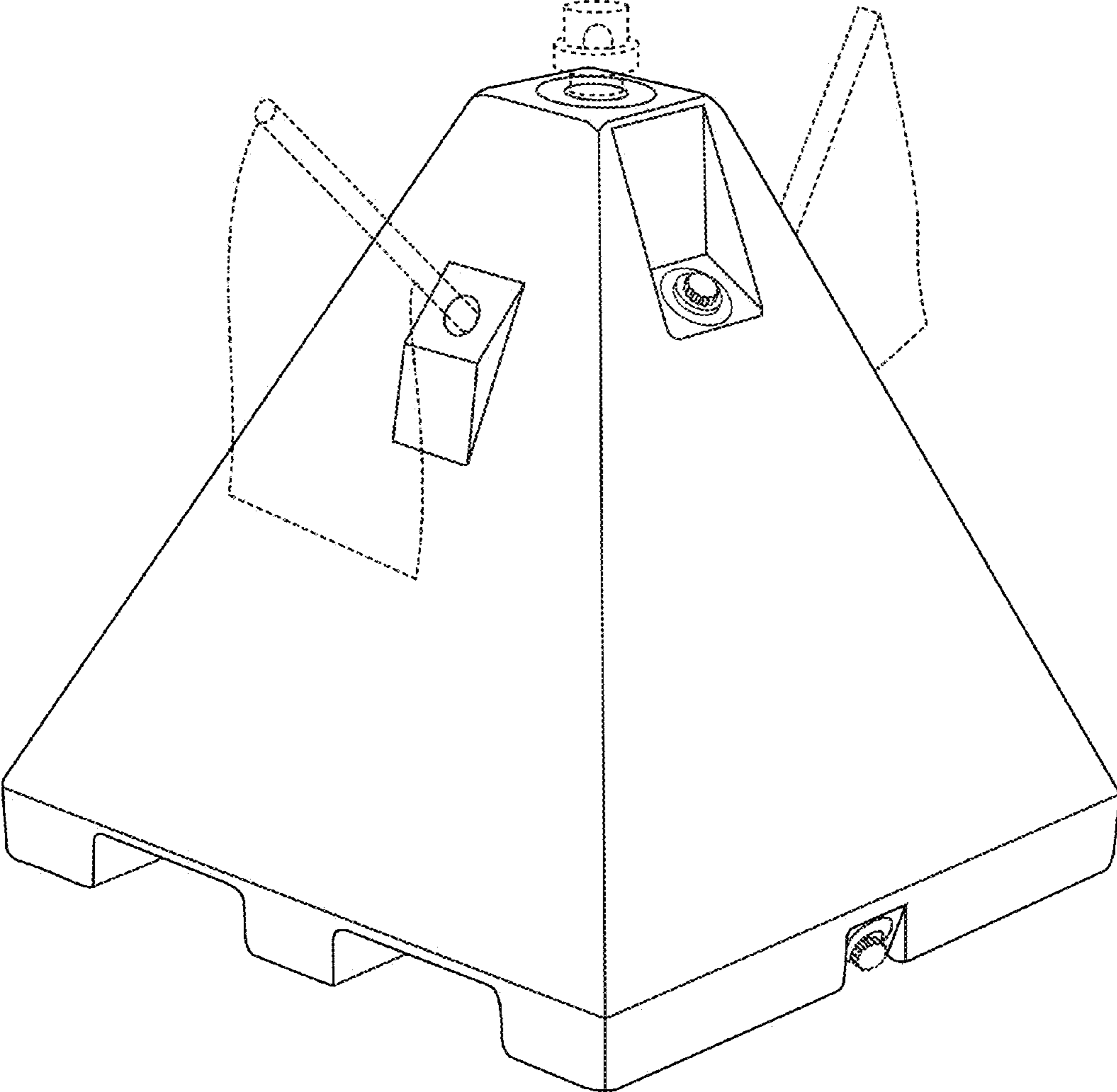


Figure 2

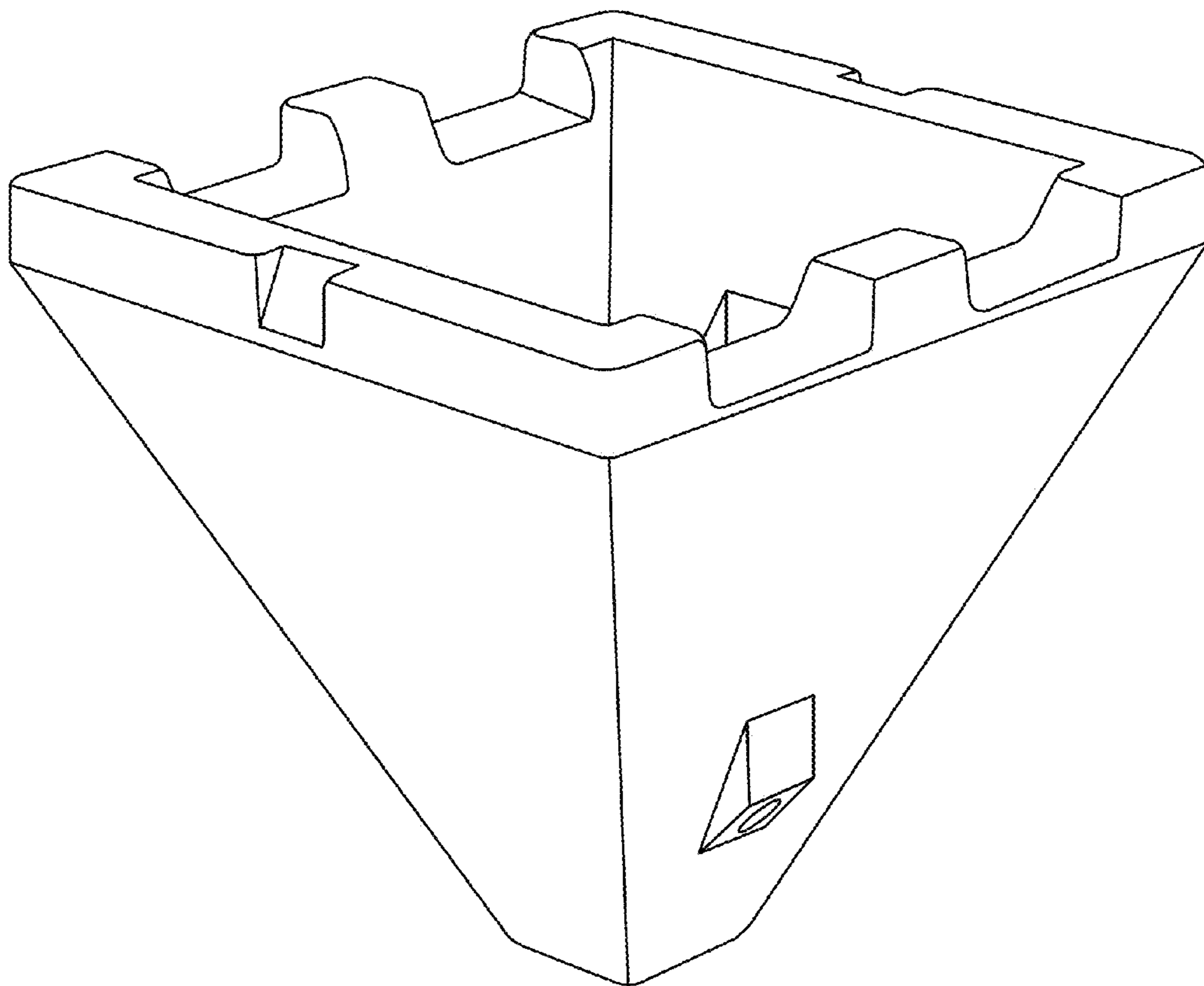


Figure 3

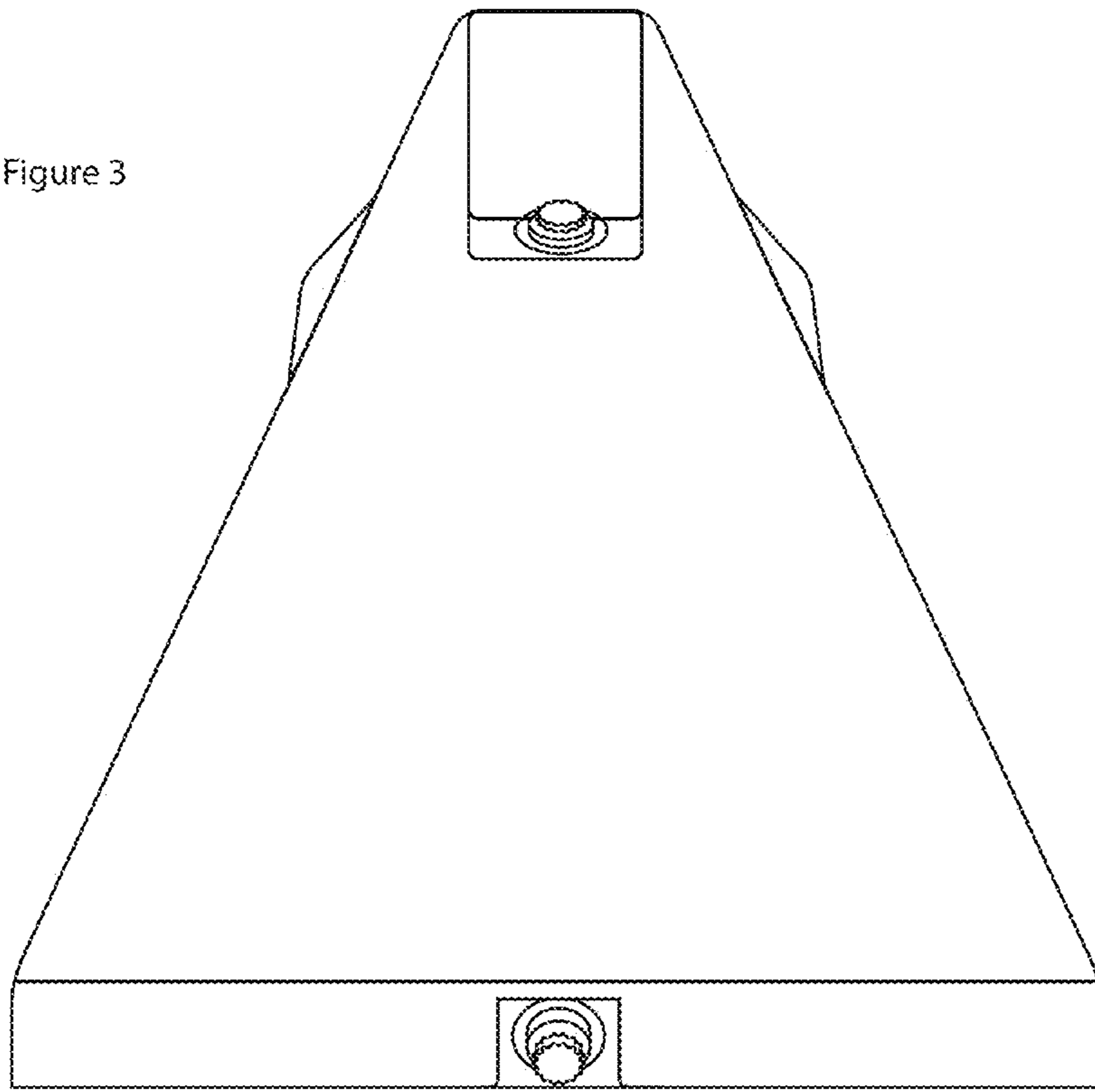


Figure 4

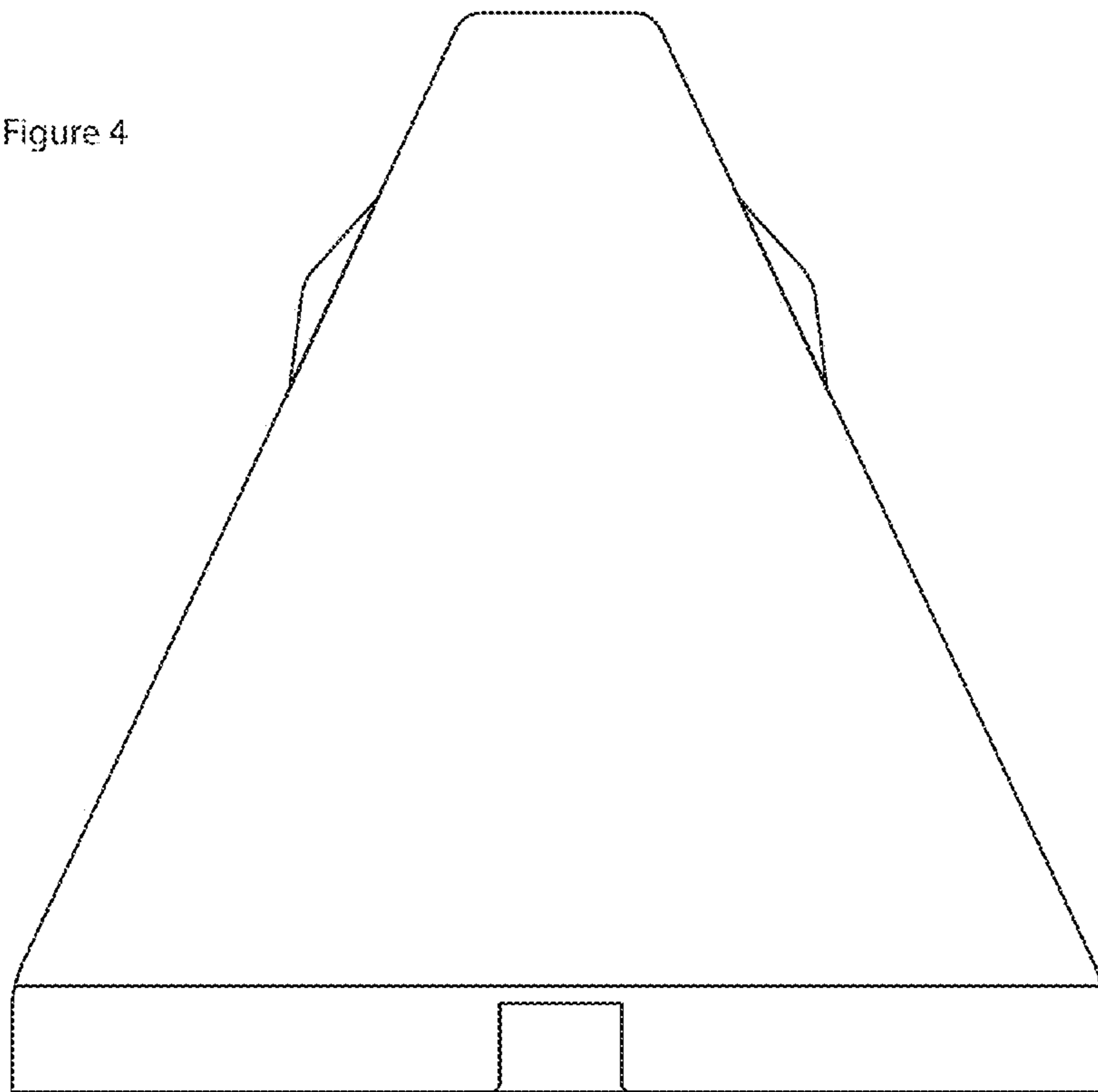


Figure 5

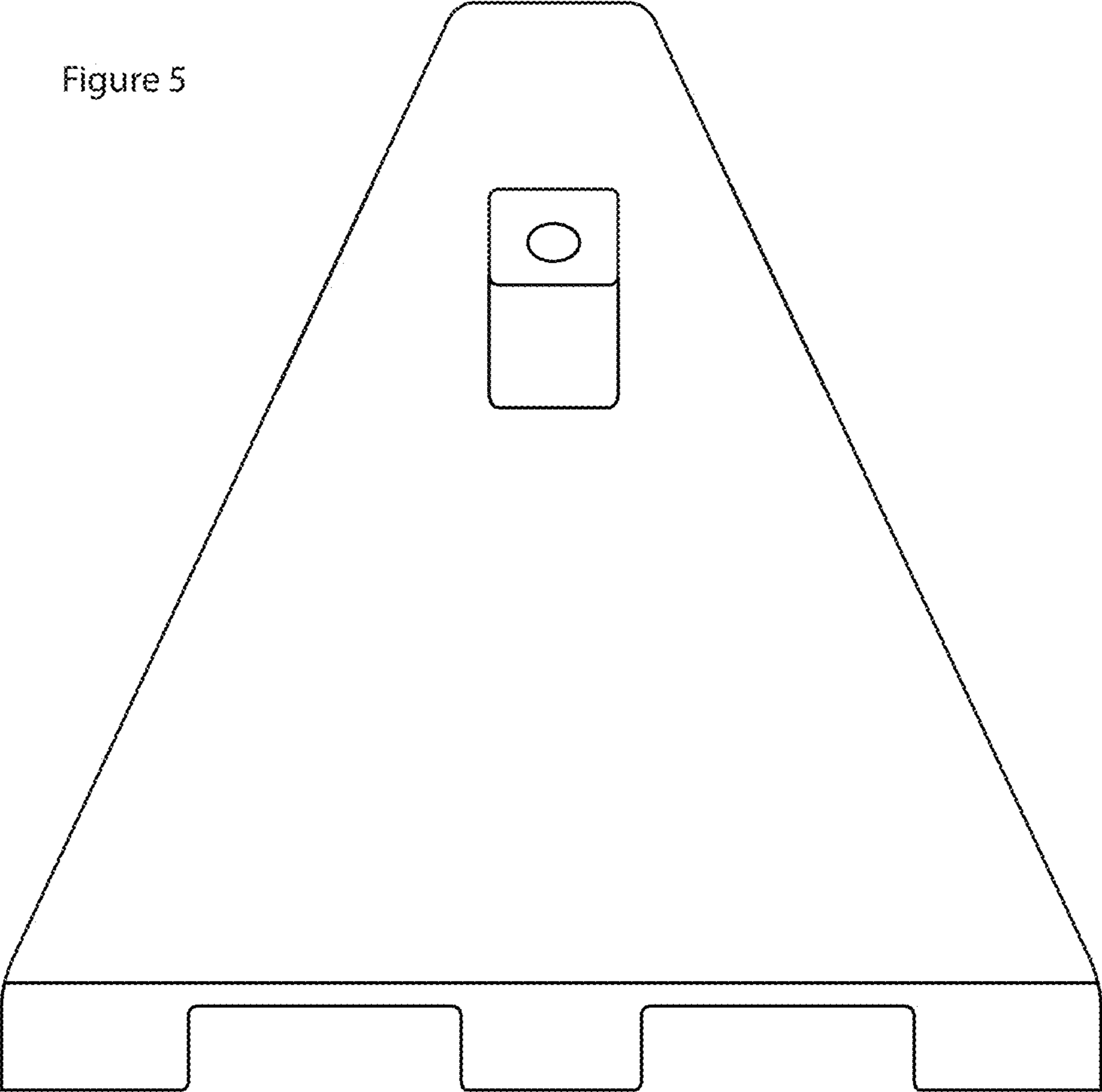


Figure 6

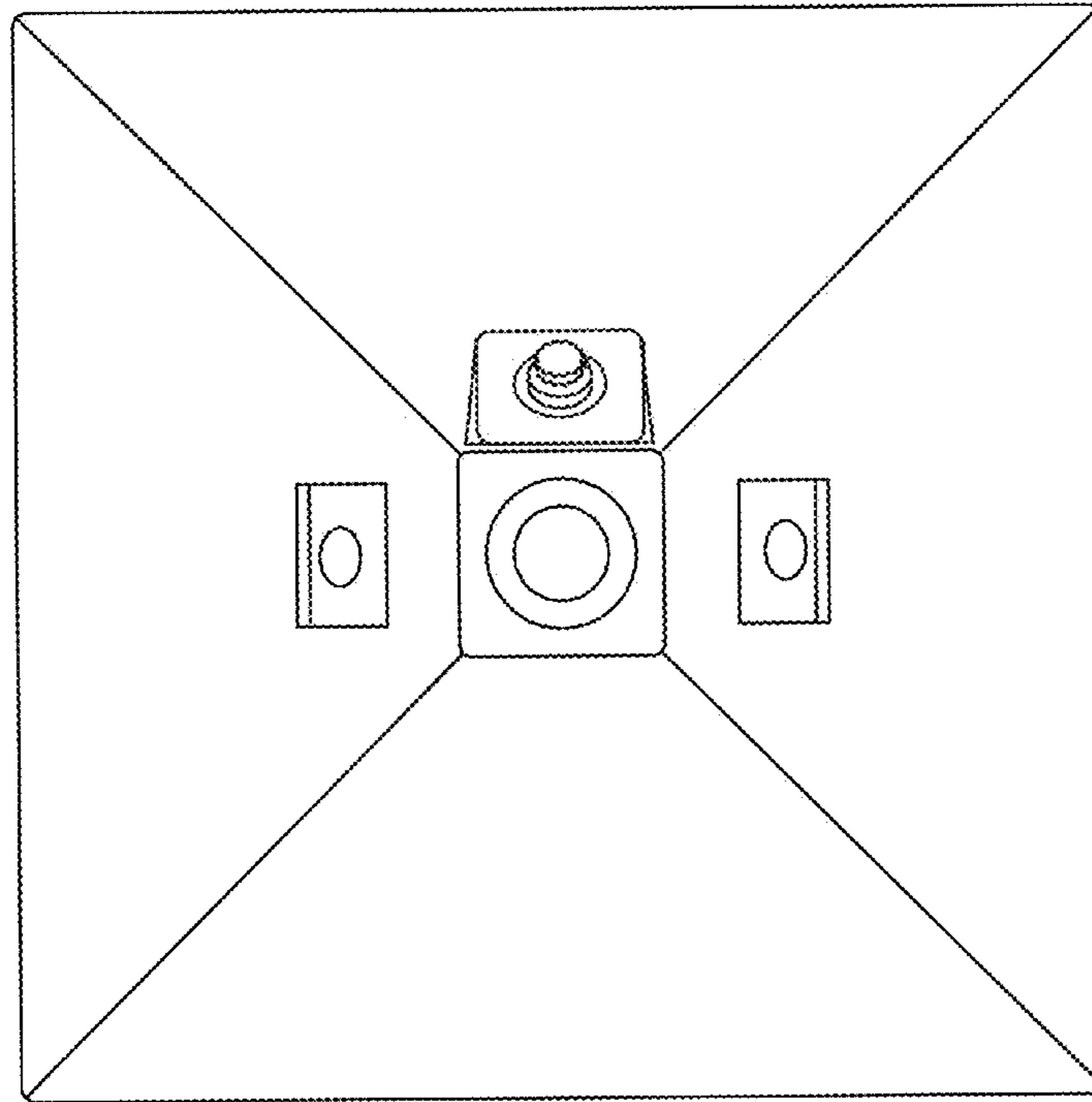


Figure 7

