



US00D700857S

(12) **United States Design Patent**
Winkler

(10) **Patent No.:** **US D700,857 S**
(45) **Date of Patent:** **** Mar. 11, 2014**

(54) **BUOY**

(71) Applicant: **Wilson Offshore & Marine (USA), Inc.**,
Houston, TX (US)

(72) Inventor: **Daniel Urs Winkler**, Richmond, TX
(US)

(73) Assignee: **Wilson Offshore & Marine (USA),
Inc.**, Houston, TX (US)

(**) Term: **14 Years**

(21) Appl. No.: **29/440,140**

(22) Filed: **Dec. 19, 2012**

Related U.S. Application Data

(62) Division of application No. 29/399,508, filed on Aug.
15, 2011, now Pat. No. Des. 682,132.

(51) **LOC (10) Cl.** **10-05**

(52) **U.S. Cl.**
USPC **D10/107**

(58) **Field of Classification Search**

USPC D10/107; 441/1, 5
See application file for complete search history.

(56) **References Cited**

U.S. PATENT DOCUMENTS

4,279,047 A * 7/1981 van Heijst 441/5
D310,180 S * 8/1990 Etkin D10/107
6,074,259 A * 6/2000 Lastrajoli et al. 441/1
D602,389 S * 10/2009 Gilman et al. D10/107

* cited by examiner

Primary Examiner — George D Kirschbaum

(74) *Attorney, Agent, or Firm* — Patterson & Sheridan, LLP

(57) **CLAIM**

The ornamental design for a buoy, as shown and described.

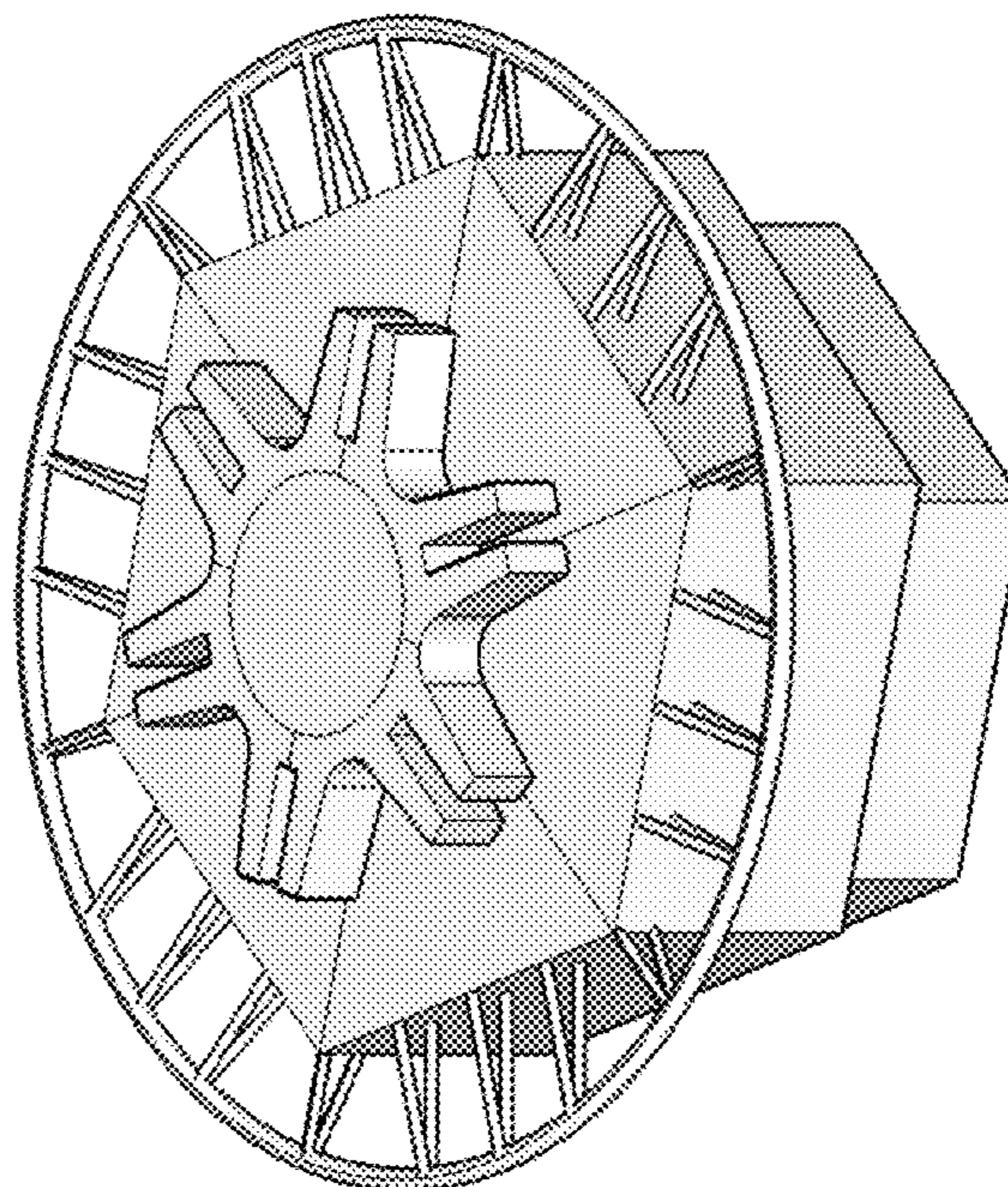
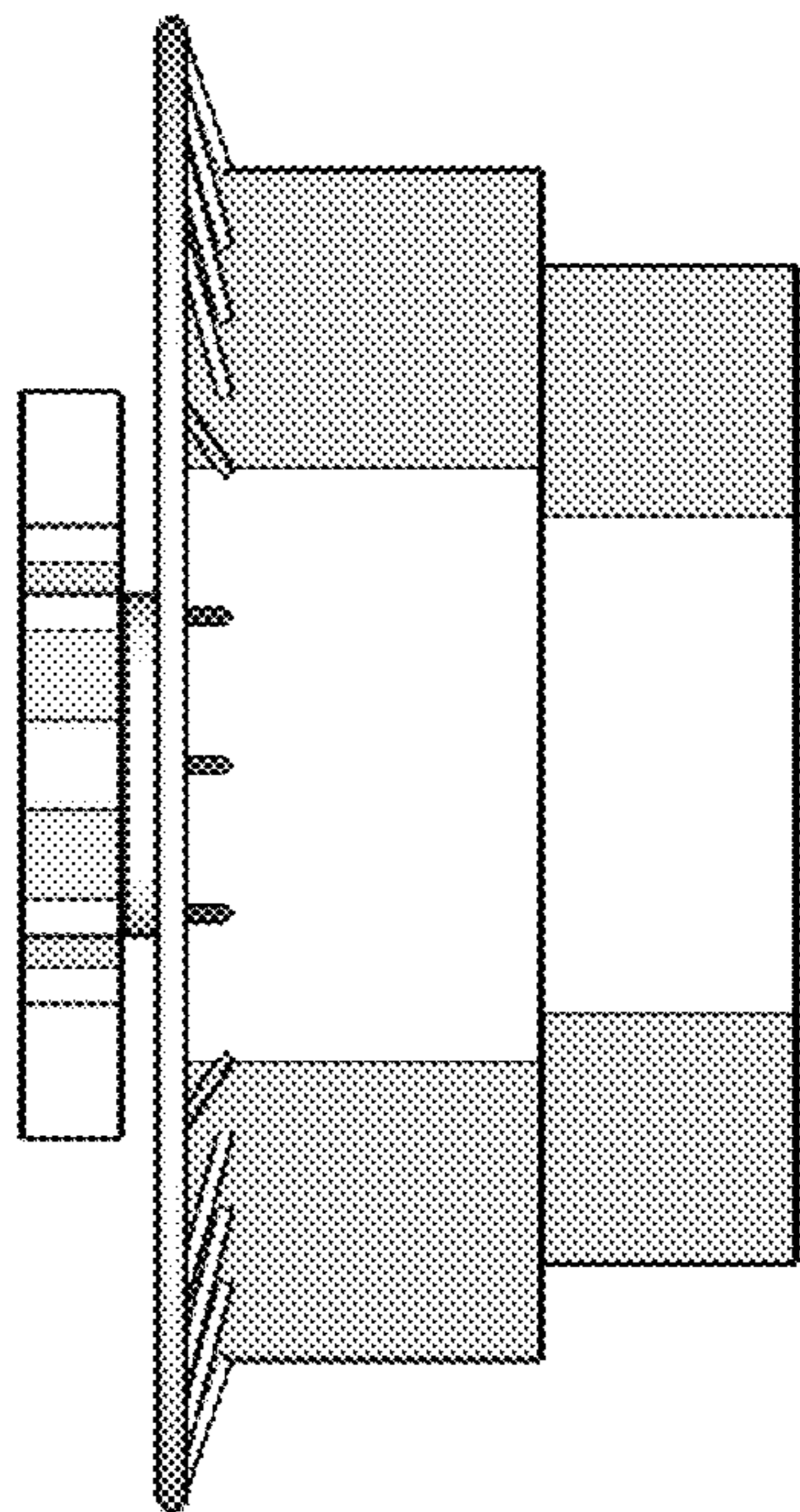
DESCRIPTION

FIG. 1 is a front elevational view of a buoy showing my new
design;

FIG. 2 is a bottom perspective view thereof; and,

FIG. 3 is a top perspective view thereof.

1 Claim, 3 Drawing Sheets



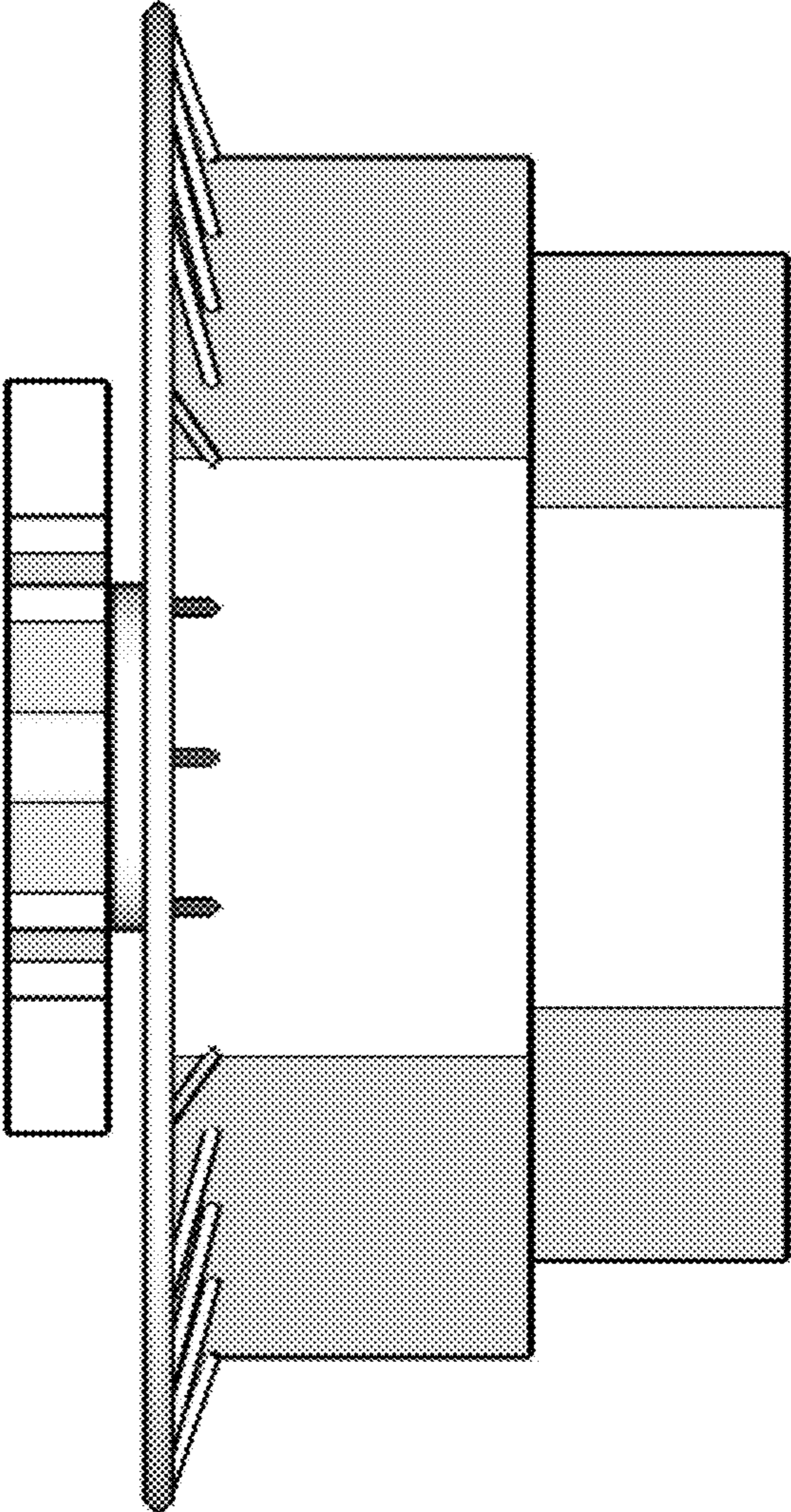


FIG. 1

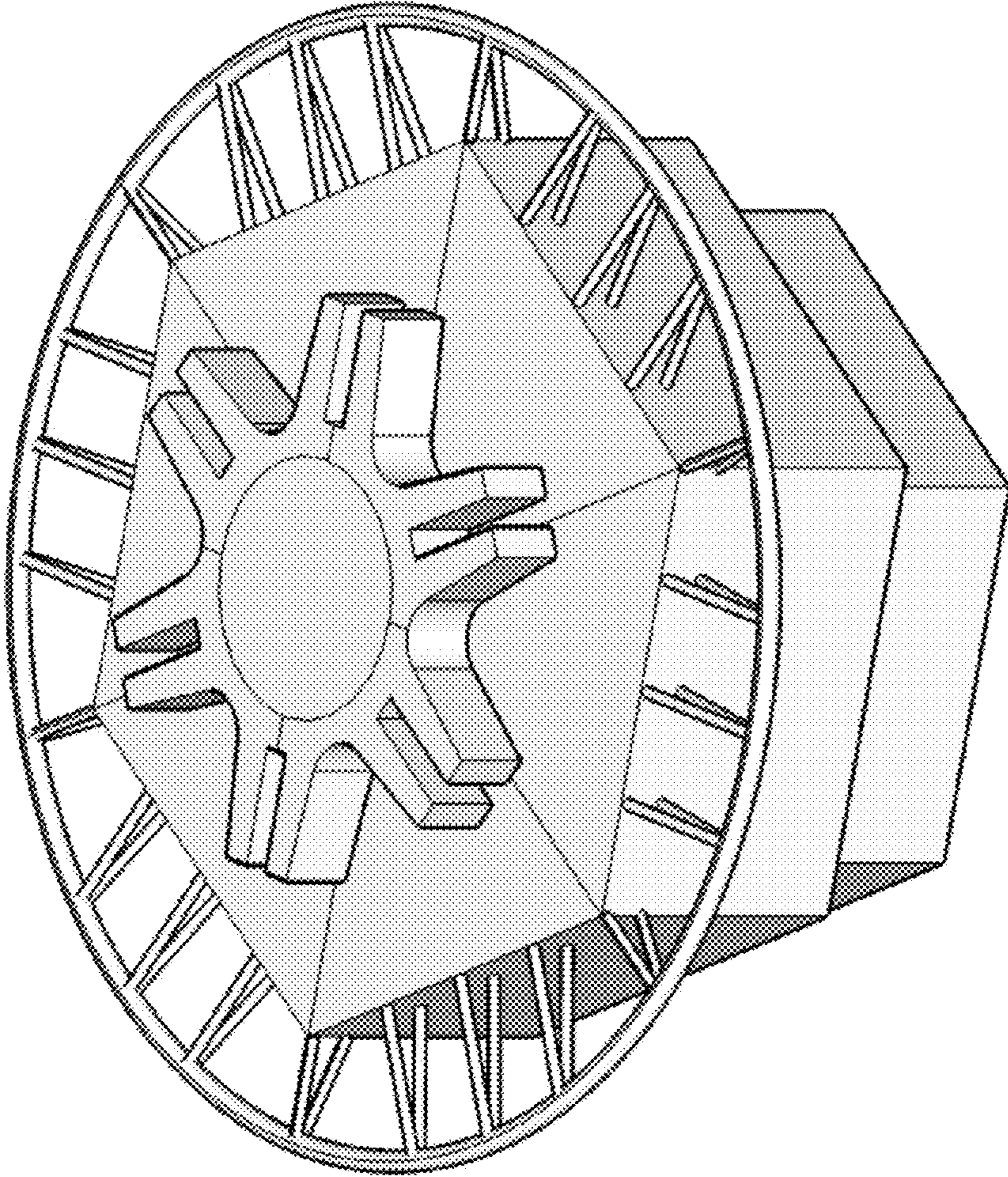


FIG. 2

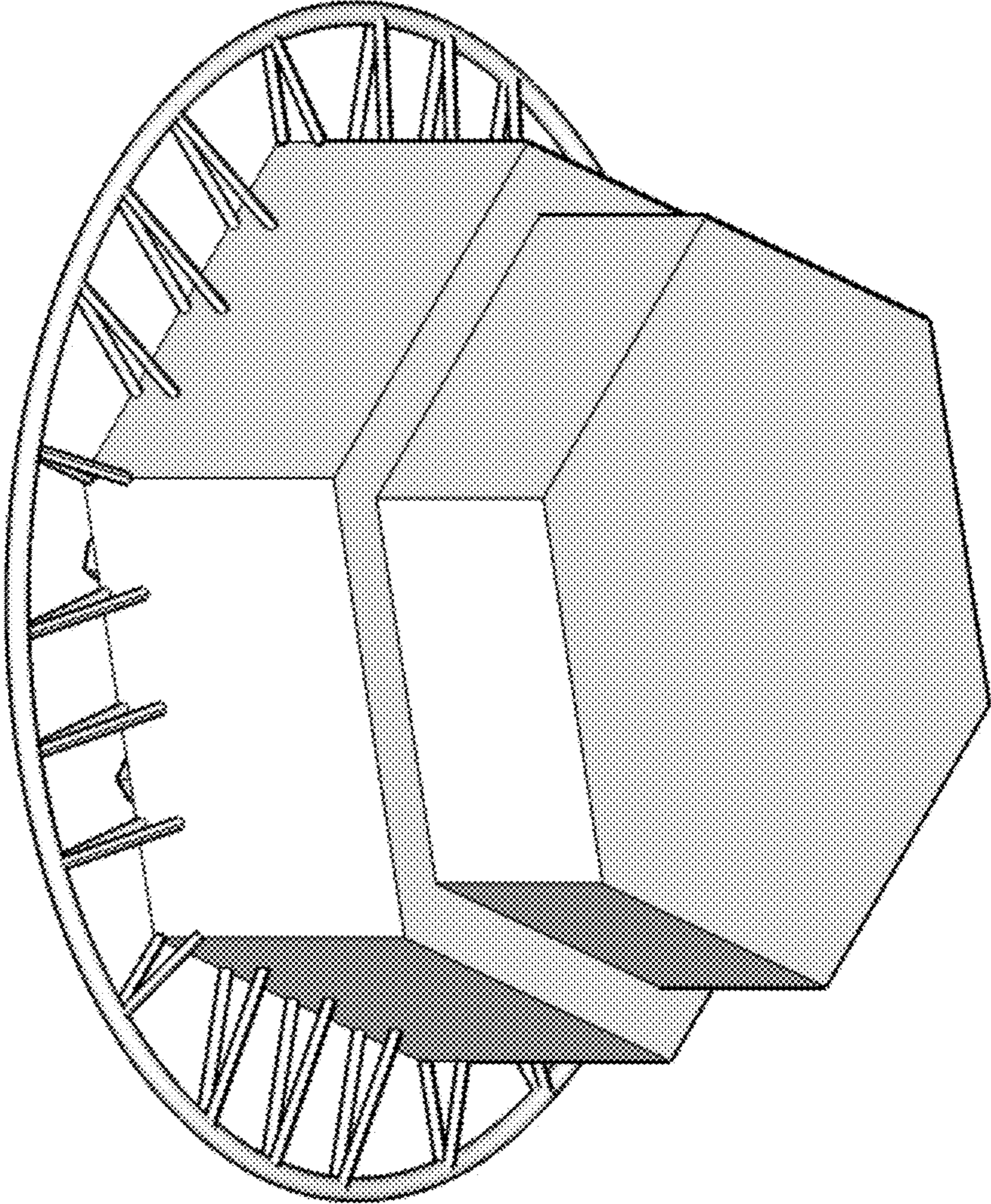


FIG. 3

UNITED STATES PATENT AND TRADEMARK OFFICE
CERTIFICATE OF CORRECTION

PATENT NO. : D700,857 S
APPLICATION NO. : 29/440140
DATED : March 11, 2014
INVENTOR(S) : Daniel Urs Winkler

Page 1 of 1

It is certified that error appears in the above-identified patent and that said Letters Patent is hereby corrected as shown below:

Title Page, Assignee item (73):

Please delete "Wilson" and insert -- Wison -- therefor.

Signed and Sealed this
Eighth Day of July, 2014



Michelle K. Lee
Deputy Director of the United States Patent and Trademark Office