



US00D700849S

(12) **United States Design Patent**  
**Bremenkamp**

(10) **Patent No.:** **US D700,849 S**  
(45) **Date of Patent:** **\*\* Mar. 11, 2014**

(54) **DISPLAY AND TOUCH SCREEN USER INTERFACE FOR USE BY A DRIVER OF A VEHICLE**

324/72.5, 556, 133, 141, 149, 503,  
324/543, 555, 66, 72, 754, 115, 522;  
73/615, 624, 627, 644, 514.33, 514.34,  
73/510, 513, 527, 530; 356/3.01-5.15;  
235/105; 377/5.24, 2.26; 702/155, 160;  
361/679.4; 248/918

(75) Inventor: **Ralph Bremenkamp**, München (DE)

See application file for complete search history.

(73) Assignee: **Continental Automotive GmbH**,  
Hannover (DE)

(56) **References Cited**

(\*\*) Term: **14 Years**

U.S. PATENT DOCUMENTS

(21) Appl. No.: **29/410,506**

6,788,528	B2 *	9/2004	Enners et al.	.....	361/679.41
6,816,760	B1 *	11/2004	Namaky	.....	701/33.2
7,116,216	B2 *	10/2006	Andreasen et al.	.....	340/438
D665,679	S *	8/2012	Shigeno et al.	.....	D10/70
8,339,254	B2 *	12/2012	Drew et al.	.....	340/438
D675,118	S *	1/2013	Shigeno et al.	.....	D10/70
D688,576	S *	8/2013	Tsai	.....	D10/65

(22) Filed: **Jan. 9, 2012**

(30) **Foreign Application Priority Data**

Jul. 7, 2011 (EM) ..... 001888413-0004

\* cited by examiner

(51) **LOC (10) Cl.** ..... **10-04**

*Primary Examiner* — Antoine D Davis

(52) **U.S. Cl.**

(74) *Attorney, Agent, or Firm* — Cozen O'Connor

USPC ..... **D10/70; D10/98**

(58) **Field of Classification Search**

(57) **CLAIM**

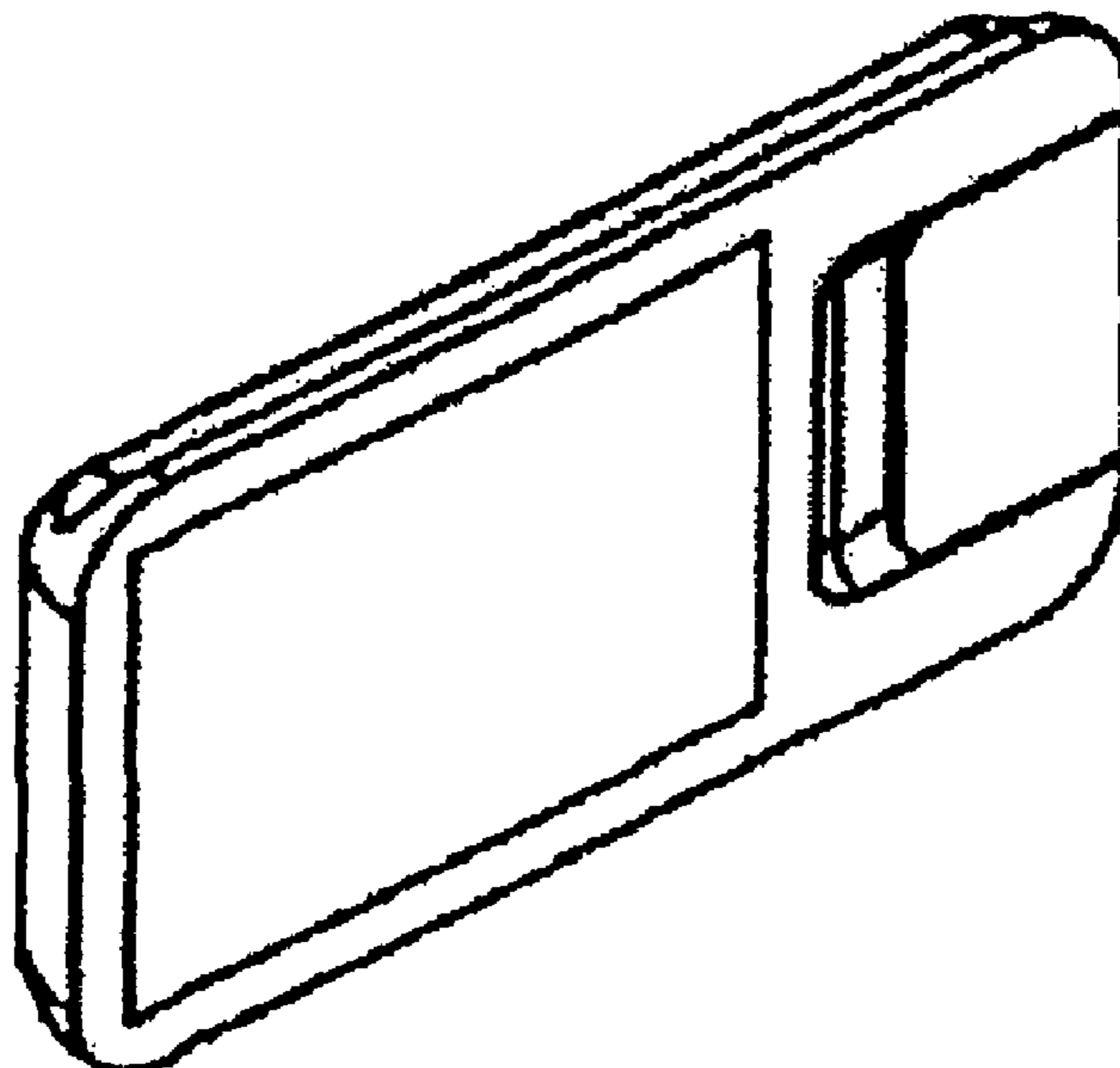
USPC ..... D10/96, 65, 70; D14/138 R, 341-347,  
D14/507-510, 136, 167, 168, 496, 498, 499,  
D14/500, 125-134, 239, 371, 374-377, 440,  
D14/450, 448, 336; 343/702; 345/87, 104,  
345/133, 156, 168, 173, 901-905, 165;  
348/180, 184, 315, 739, 836, 838, 325;  
364/444, 499; 701/31.4, 33.2, 432,  
701/408-418, 431, 537; 312/702; 341/12;  
720/605, 669, 600, 655; 369/99, 197;  
455/344, 347, 575.1; 250/221, 338.3,  
250/340, 239, 243, 342, 341, DIG. 1, 353;  
307/116, 117; 340/438, 439, 440, 441,  
340/449, 450, 451, 459, 462, 521, 527, 567,  
340/568.2, 539.23, 635, 687; 315/159;

I claim the ornamental design for a display and touch screen user interface for use by a driver of a vehicle, as shown and described.

**DESCRIPTION**

FIG. 1 is a perspective view of a display and touch screen user interface showing the present invention;  
FIG. 2 is a front perspective view thereof with a cover removed;  
FIG. 3 is a front view thereof with the cover in place; and,  
FIG. 4 is a front view thereof with the cover removed.

**1 Claim, 2 Drawing Sheets**



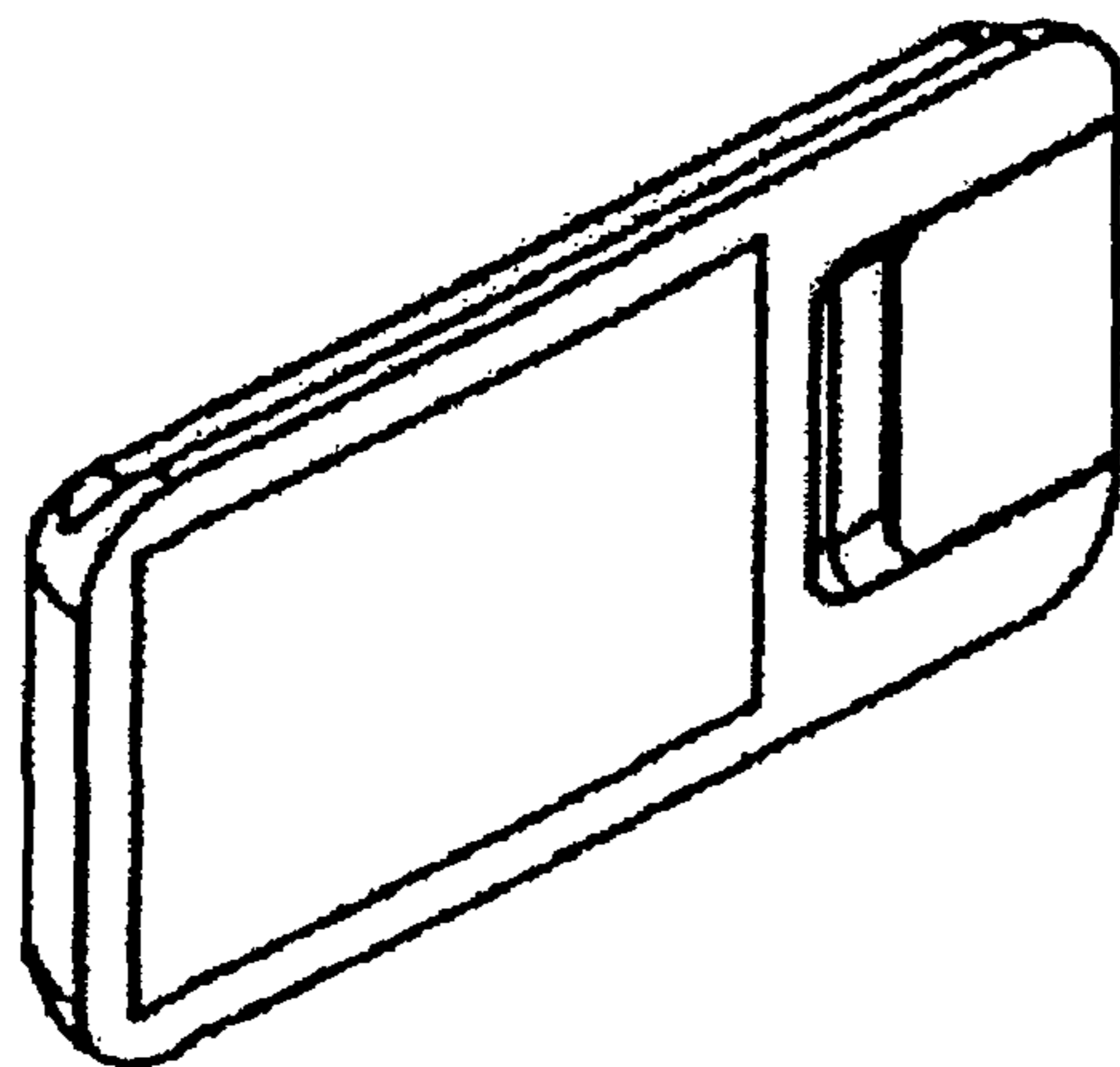


Fig. 1

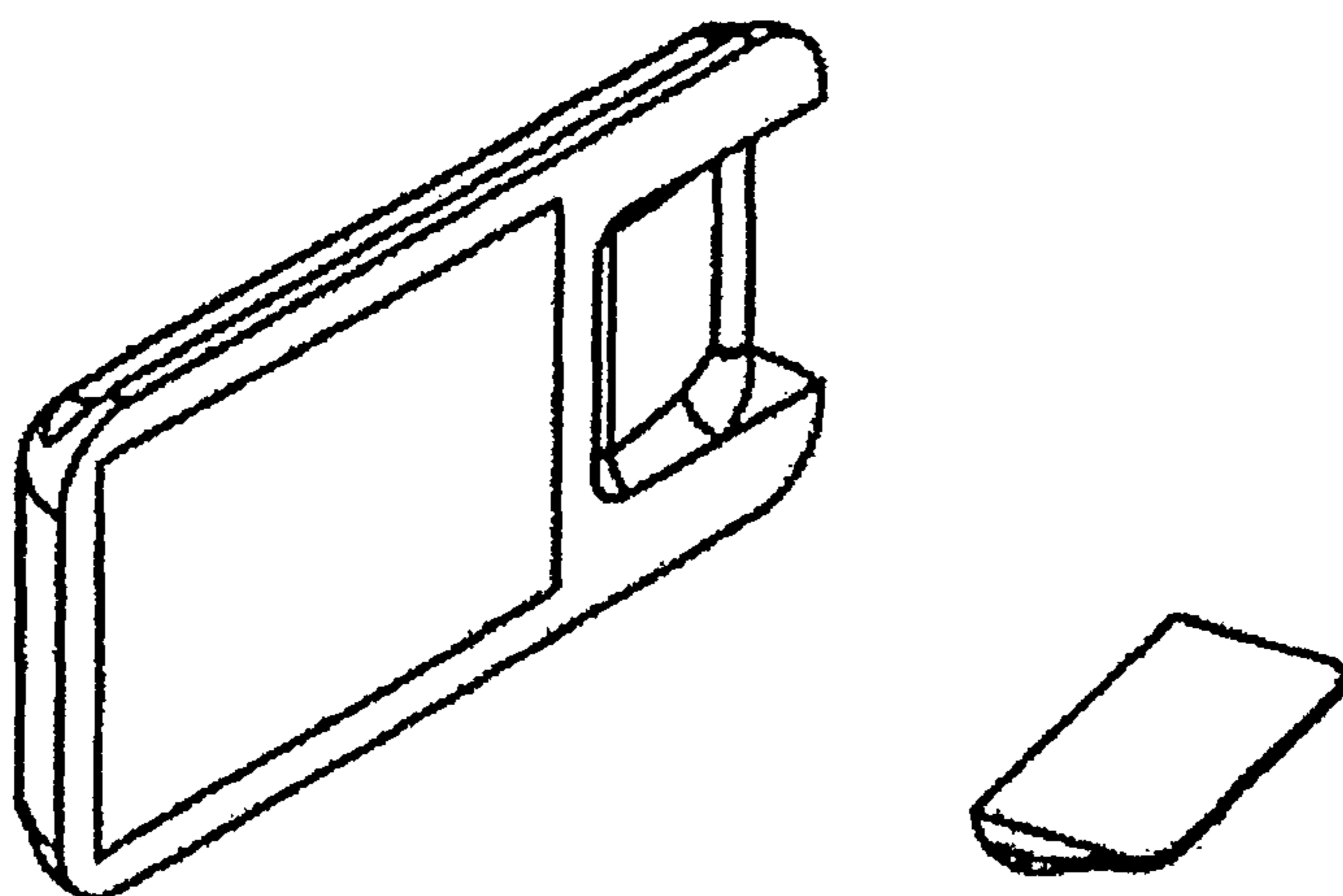


Fig. 2

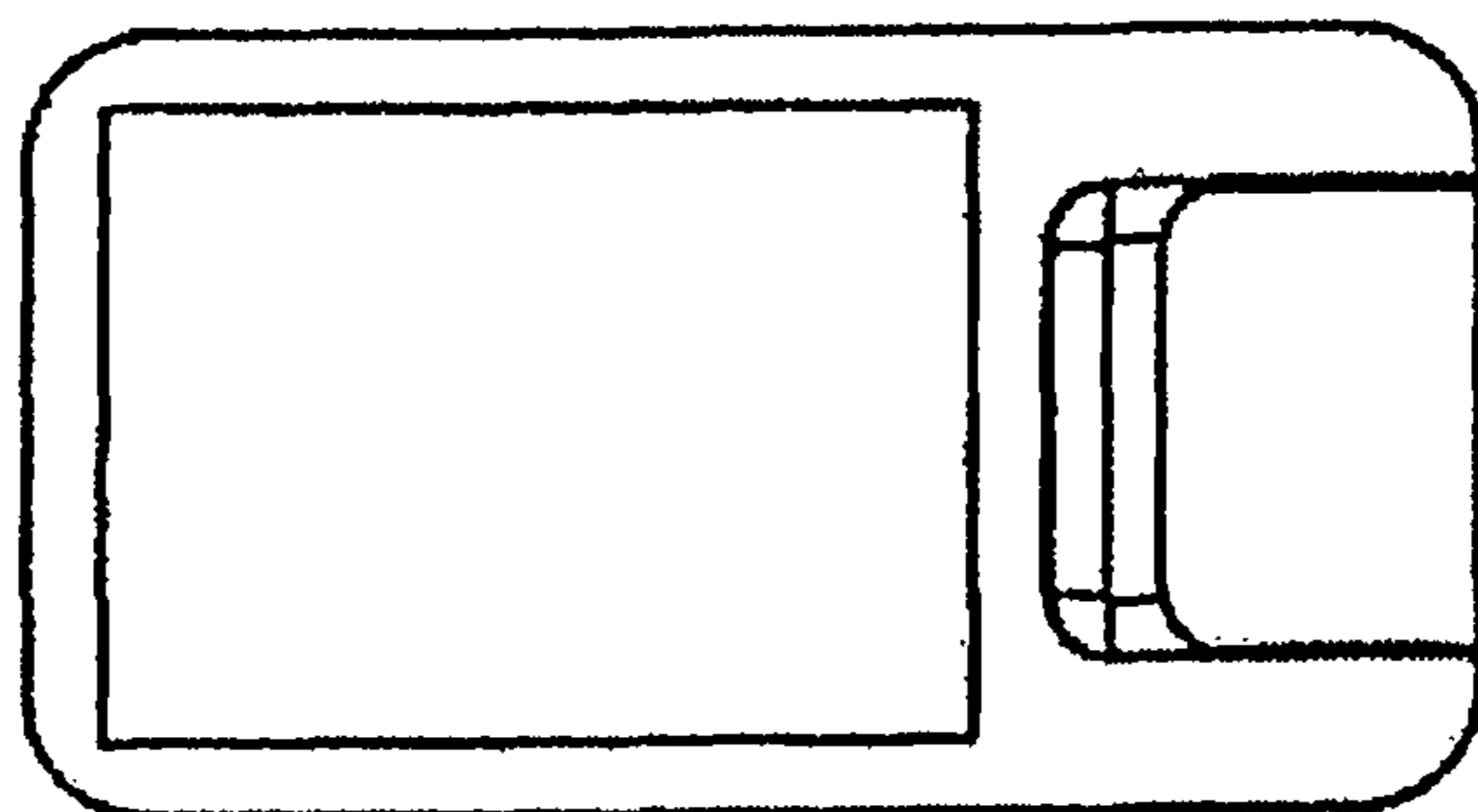


Fig. 3

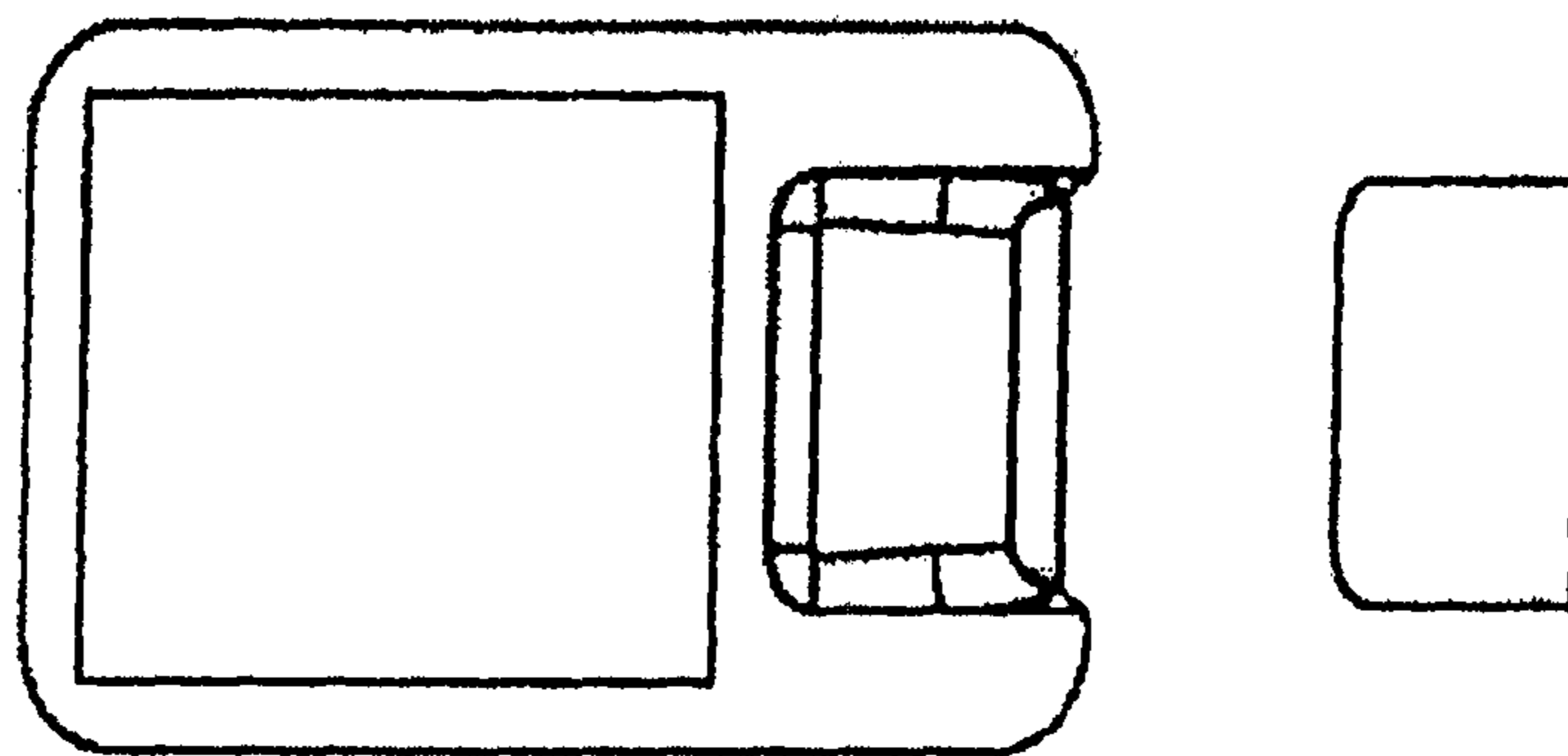


Fig. 4