



US00D700848S

(12) **United States Design Patent**  
**Socorregut**

(10) **Patent No.:** **US D700,848 S**

(45) **Date of Patent:** **\*\* Mar. 11, 2014**

(54) **CHESS CLOCK**

(71) Applicant: **Roberto Socorregut**, Miami, FL (US)

(72) Inventor: **Roberto Socorregut**, Miami, FL (US)

(\*\*) Term: **14 Years**

(21) Appl. No.: **29/452,442**

(22) Filed: **Apr. 16, 2013**

(51) **LOC (10) Cl.** ..... **10-03**

(52) **U.S. Cl.**  
USPC ..... **D10/40**

(58) **Field of Classification Search**  
USPC ..... D10/40, 41, 24-27; 368/96, 89  
See application file for complete search history.

(56) **References Cited**

**U.S. PATENT DOCUMENTS**

2,539,754	A *	1/1951	Rettinger et al.	.....	368/96
3,088,270	A *	5/1963	King et al.	.....	368/112
D232,815	S *	9/1974	Niwell	.....	D10/40
4,062,180	A *	12/1977	Meshi et al.	.....	368/96
4,464,060	A *	8/1984	Schneider	.....	368/96
5,420,830	A *	5/1995	Camaratta et al.	.....	368/96

5,796,680	A *	8/1998	Franklin	.....	368/96
D500,254	S *	12/2004	Nakagawa	.....	D10/40
7,887,232	B1 *	2/2011	Jones, Jr.	.....	368/96
2004/0037169	A1 *	2/2004	Fondin et al.	.....	368/96

**FOREIGN PATENT DOCUMENTS**

DE	3427433	A1 *	2/1985	.....	G07C 1/28
DE	3505263	A1 *	8/1986	.....	G07C 1/28
JP	07325172	A *	12/1995	.....	G04F 3/00

\* cited by examiner

*Primary Examiner* — Lucy Lieberman

(74) *Attorney, Agent, or Firm* — Ruben Alcoba, Esq.

(57) **CLAIM**

The ornamental design for a chess clock, as shown.

**DESCRIPTION**

FIG. 1 is a perspective view of a chess clock of the present invention;

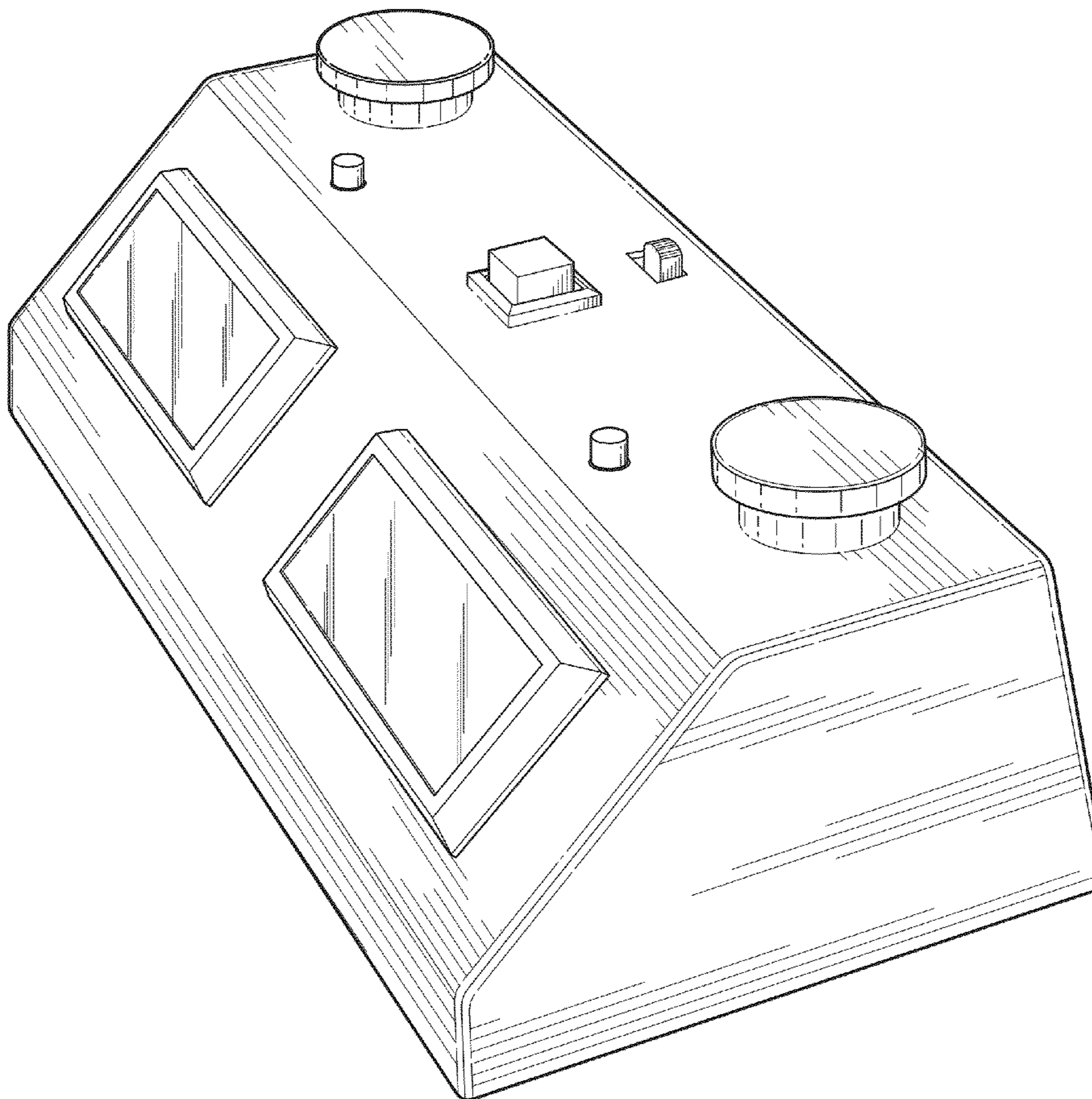
FIG. 2 is a Front Elevation View of the chess clock of the present invention;

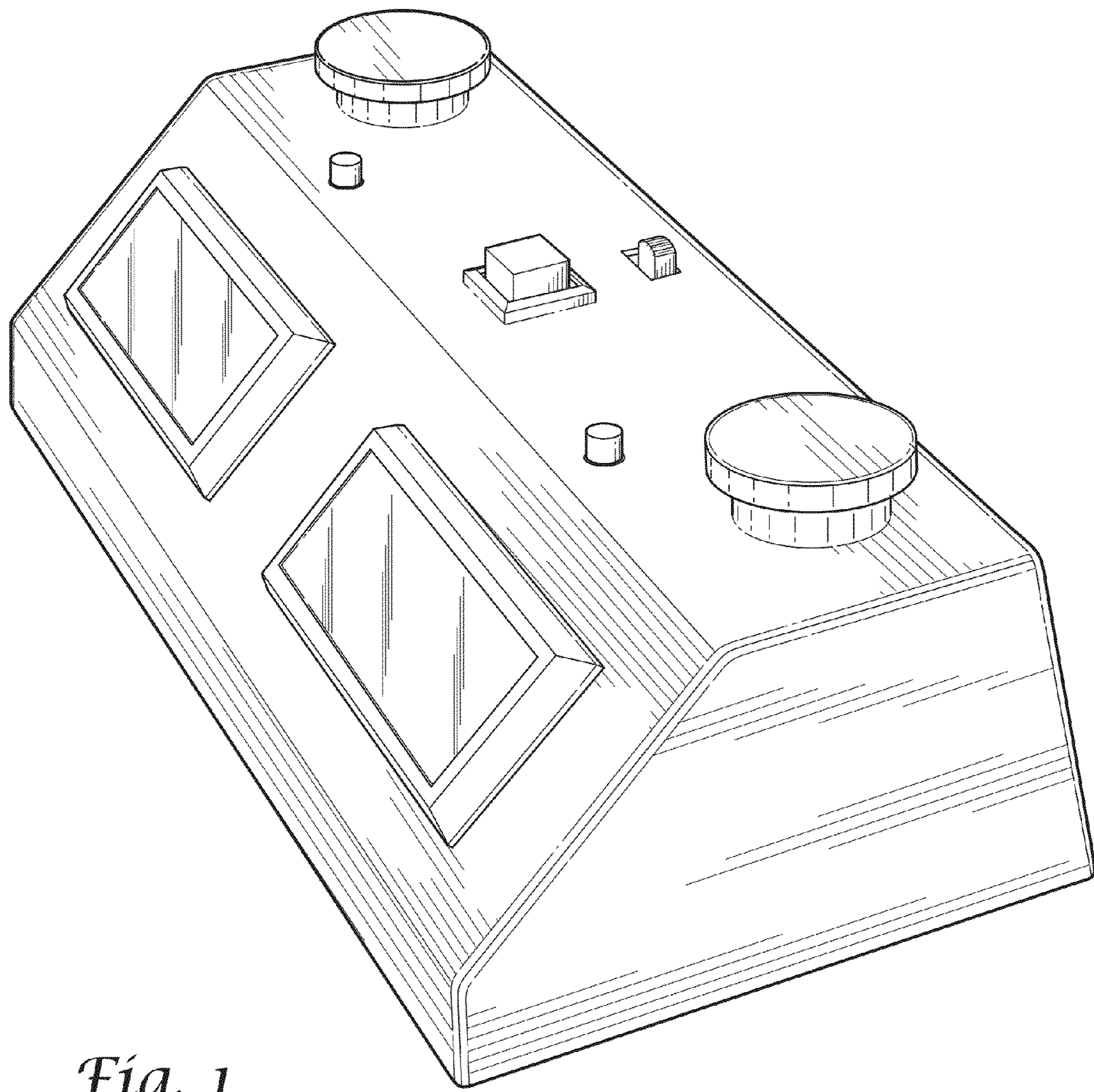
FIG. 3 is a Rear Elevation View of the chess clock of the present invention;

FIG. 4 is a left side elevation of the chess clock; and,

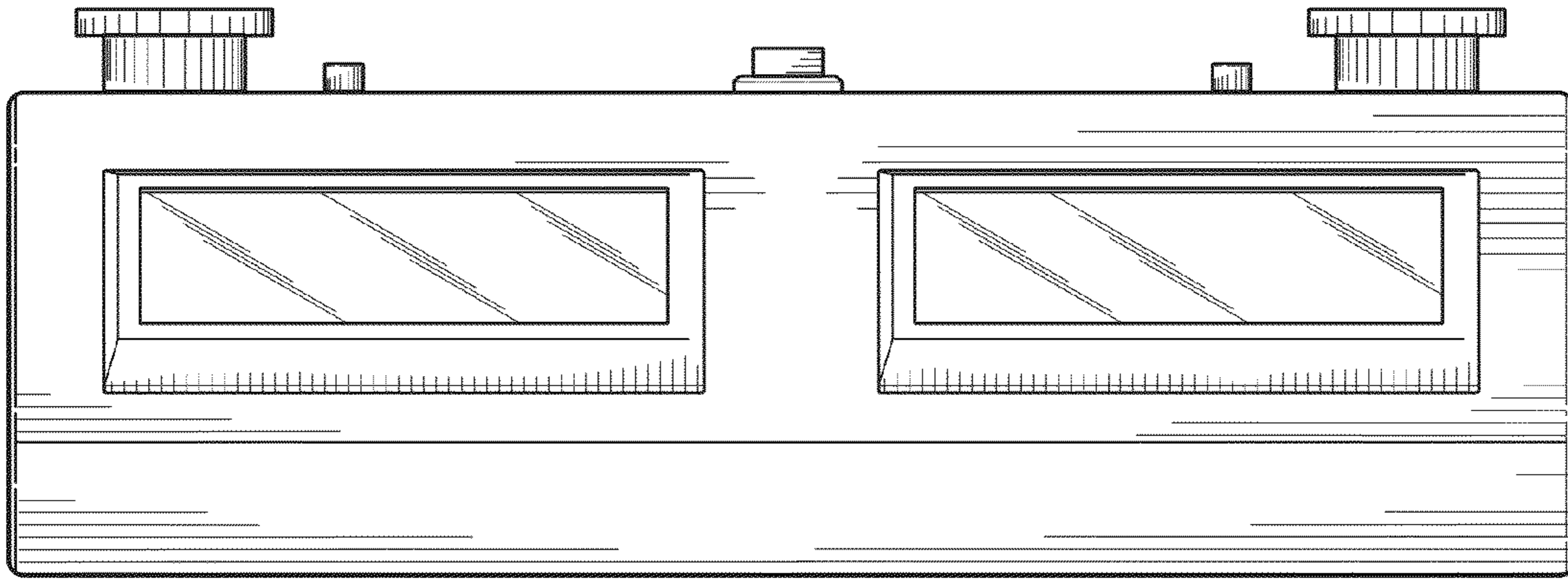
FIG. 5 is a top plan view of the chess clock.

**1 Claim, 3 Drawing Sheets**

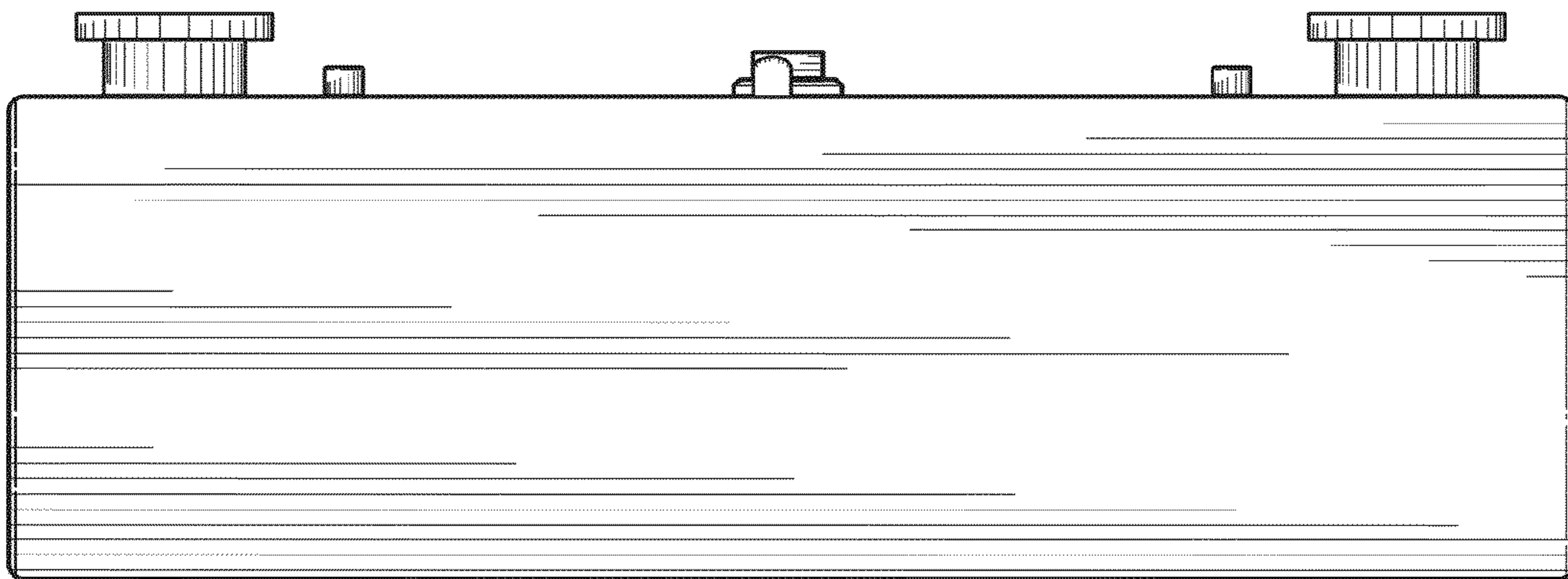




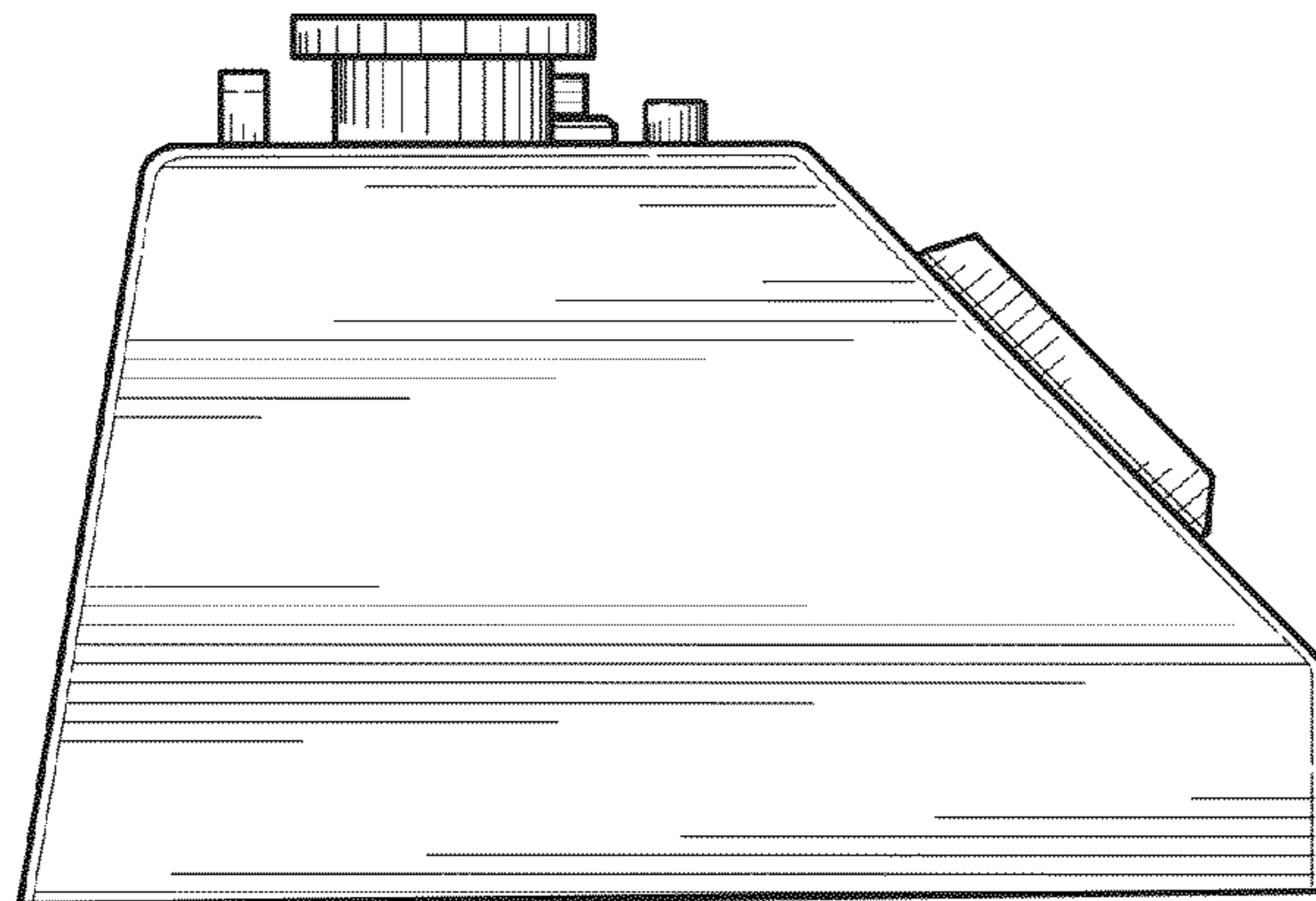
*Fig. 1*



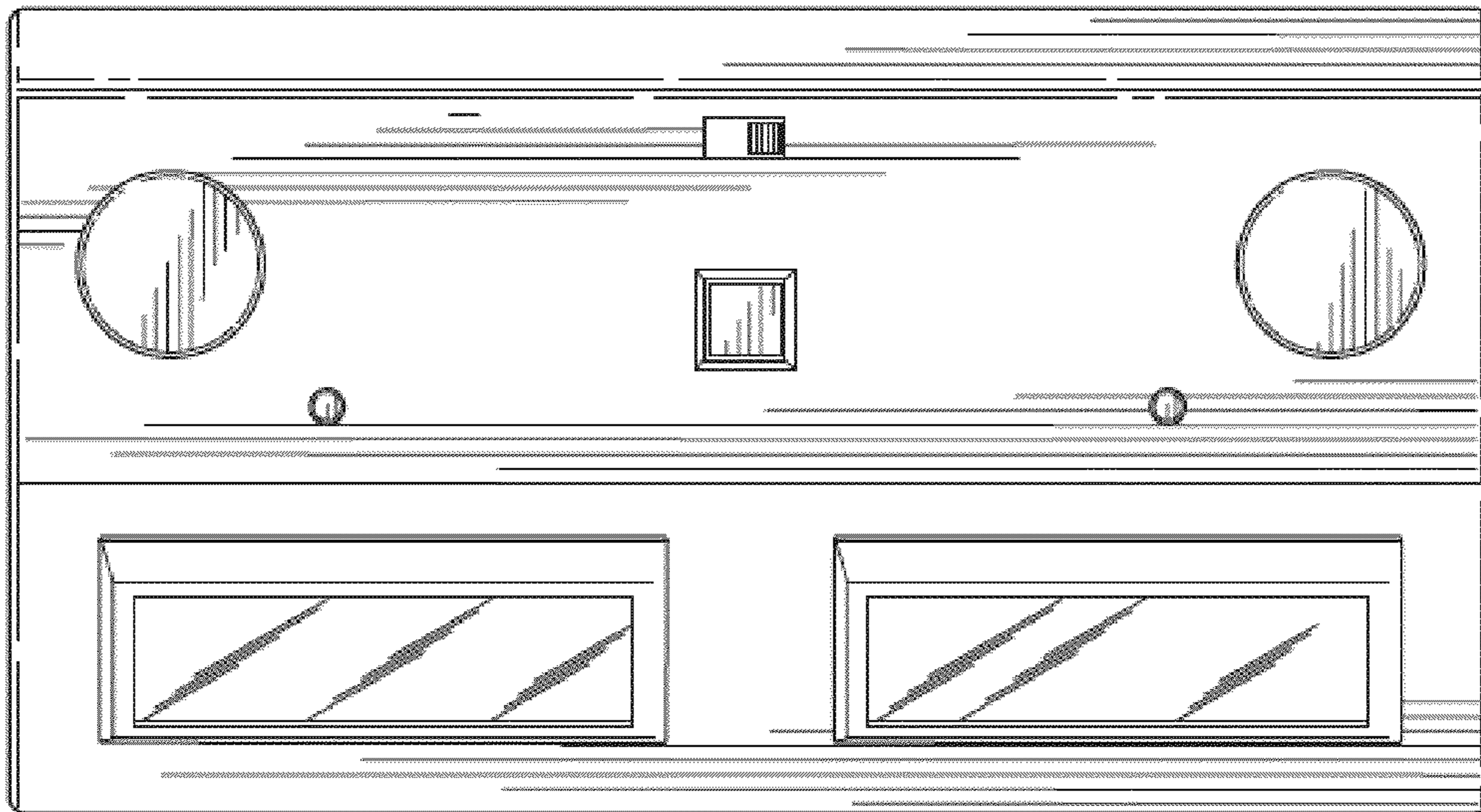
*Fig. 2*



*Fig. 3*



*Fig. 4*



*Fig. 5*