



US00D700841S

(12) **United States Design Patent**
Natersky et al.

(10) **Patent No.:** **US D700,841 S**
(45) **Date of Patent:** **** Mar. 11, 2014**

(54) **SPRAYING DEVICE FOR PACKAGING**

(75) Inventors: **Klaus Natersky**, Grenderich (DE); **Peter Stolben**, Briedel Mosel (DE); **Klaus Thanisch**, Bullay (DE); **Jurgen Pellenz**, Bremm (DE); **Christoph Hoffmann**, Zell/Mosel (DE)

(73) Assignee: **Obrist Closures Switzerland GmbH**, Reinach (CH)

(**) Term: **14 Years**

(21) Appl. No.: **29/408,367**

(22) Filed: **Dec. 12, 2011**

(30) **Foreign Application Priority Data**

Jul. 4, 2011 (EM) 001284392-0001

(51) **LOC (10) Cl.** **09-07**

(52) **U.S. Cl.**
USPC **D9/448**

(58) **Field of Classification Search**
USPC D9/434, 435, 448, 449; D23/213, 226;
222/323, 383.1, 383.3, 402.15;
239/120, 215, 333, 394, 526, 539;
417/178, 198, 411

See application file for complete search history.

(56) **References Cited**

U.S. PATENT DOCUMENTS

4,191,313	A	3/1980	Blake et al.	
5,730,335	A	3/1998	Maas et al.	
D406,052	S *	2/1999	Dumont et al.	D9/685
D406,060	S *	2/1999	Dumont et al.	D9/448
D454,787	S *	3/2002	Cummings	D9/448
D456,262	S *	4/2002	Cummings	D9/448
D463,972	S *	10/2002	Perrin et al.	D9/685
D494,866	S *	8/2004	Guala	D9/448

D495,399	S *	8/2004	Guala	D23/213
D541,655	S *	5/2007	Alluigi	D9/448
D581,269	S *	11/2008	Alluigi	D9/448
D582,768	S *	12/2008	Cantoni et al.	D9/448
D582,769	S *	12/2008	Turchi	D9/448
D582,770	S *	12/2008	Turchi	D9/448
D582,771	S *	12/2008	Cantoni	D9/448
D583,233	S *	12/2008	Cantoni et al.	D9/448
D587,574	S *	3/2009	Cantoni et al.	D9/448
D601,897	S *	10/2009	Contiero	D9/448
D625,187	S *	10/2010	McCay et al.	D9/448
D650,279	S *	12/2011	Arminak	D9/448
D653,542	S *	2/2012	Arminak	D9/448

FOREIGN PATENT DOCUMENTS

EP	0798050	A1	10/1997
EP	1974826	A1	10/2008
WO	9638374	A1	12/1996
WO	0033970	A1	6/2000

* cited by examiner

Primary Examiner — Robert M Spear

(74) *Attorney, Agent, or Firm* — Gesmer Updegrave LLP

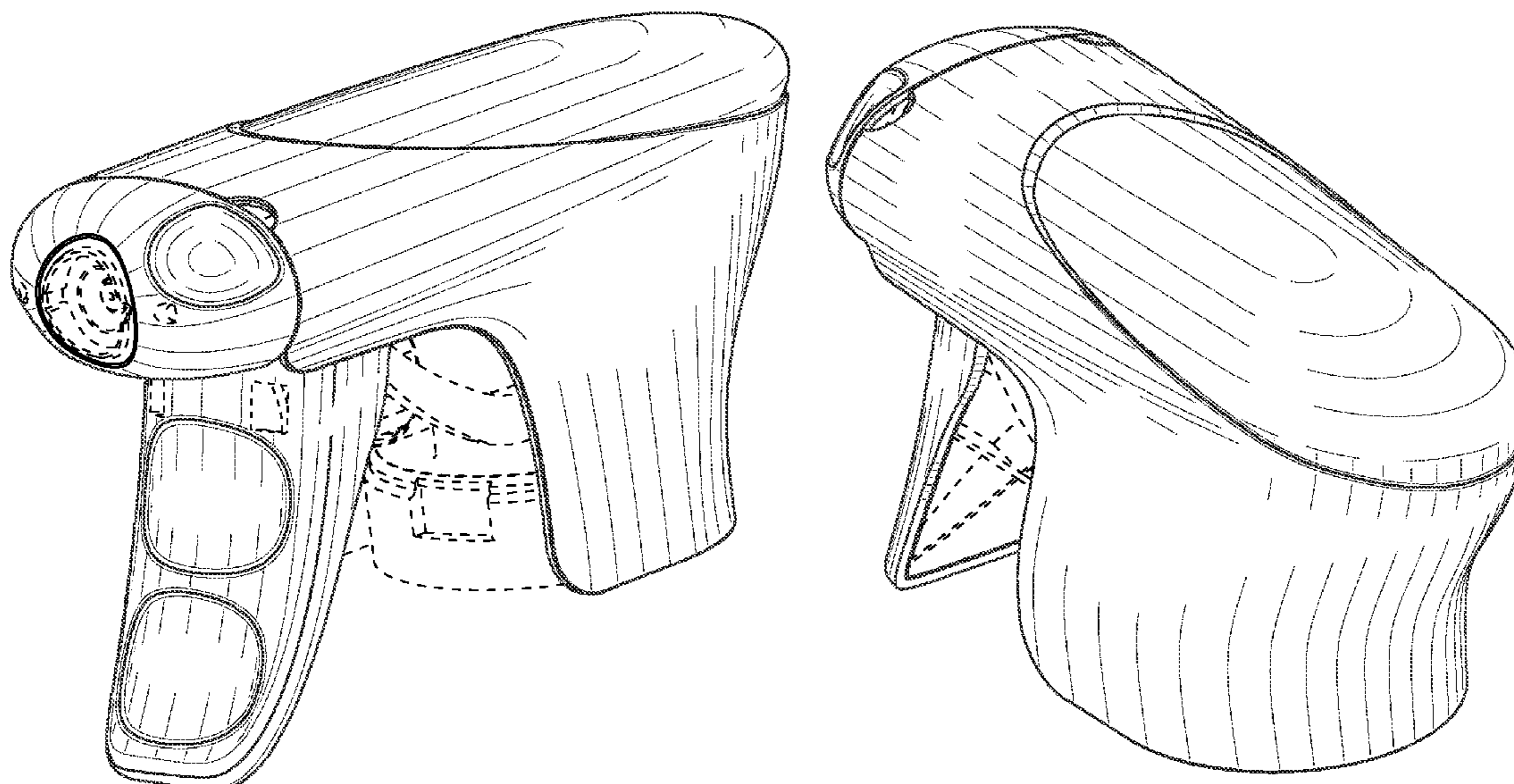
(57) **CLAIM**

The ornamental design for a spraying device for packaging, as shown and described.

DESCRIPTION

FIG. 1 is a front perspective view of the present invention; FIG. 2 is a right side elevation view of FIG. 1; FIG. 3 is a left side elevation view of FIG. 1; FIG. 4 is a top plan view of FIG. 1; FIG. 5 is a bottom plan view of FIG. 1; FIG. 6 is a front elevation view of FIG. 1; FIG. 7 is a rear elevation view of FIG. 1; and, FIG. 8 is a rear perspective view of FIG. 1. The broken lines in the drawings represent unclaimed environmental subject matter.

1 Claim, 4 Drawing Sheets



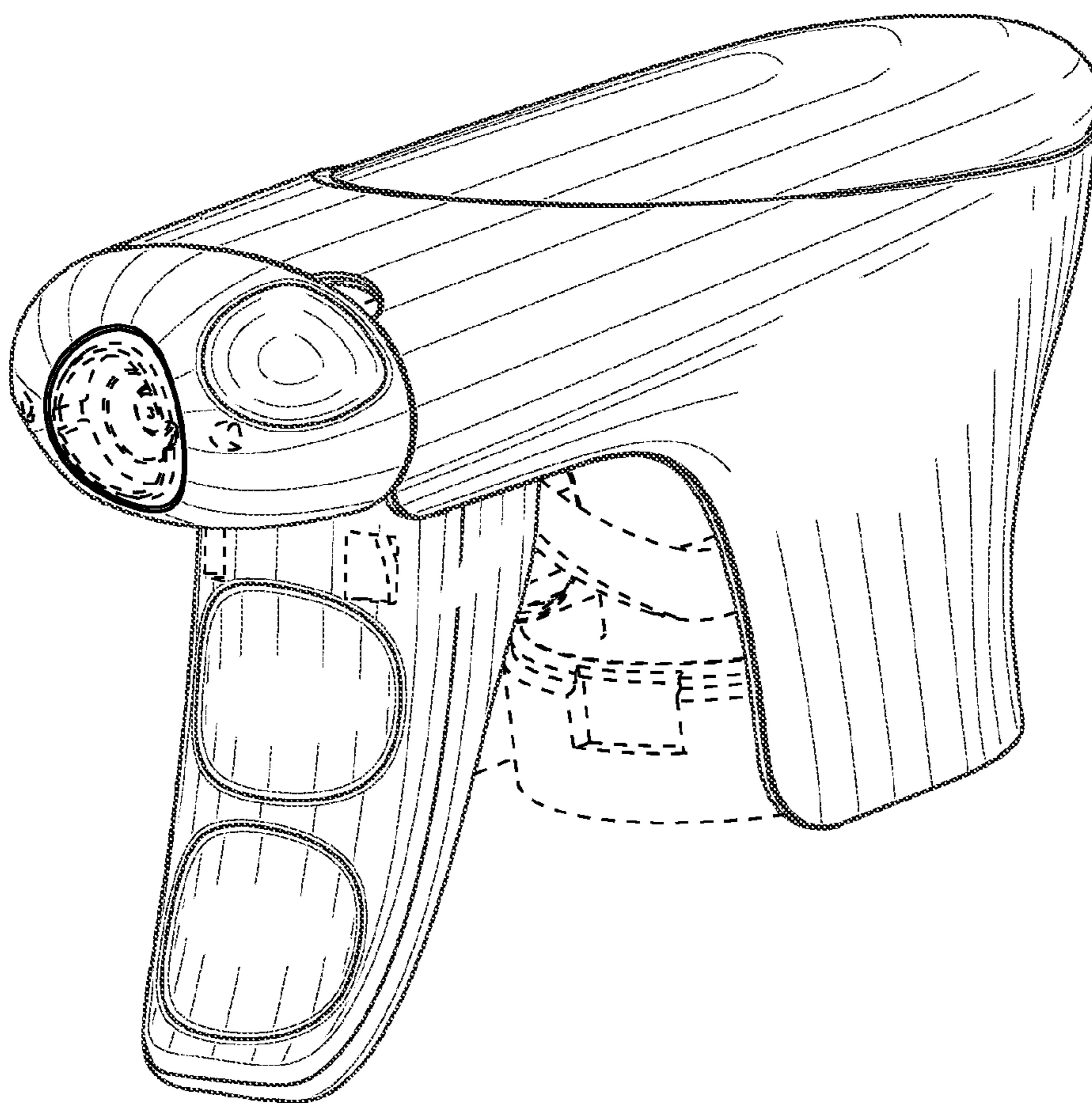
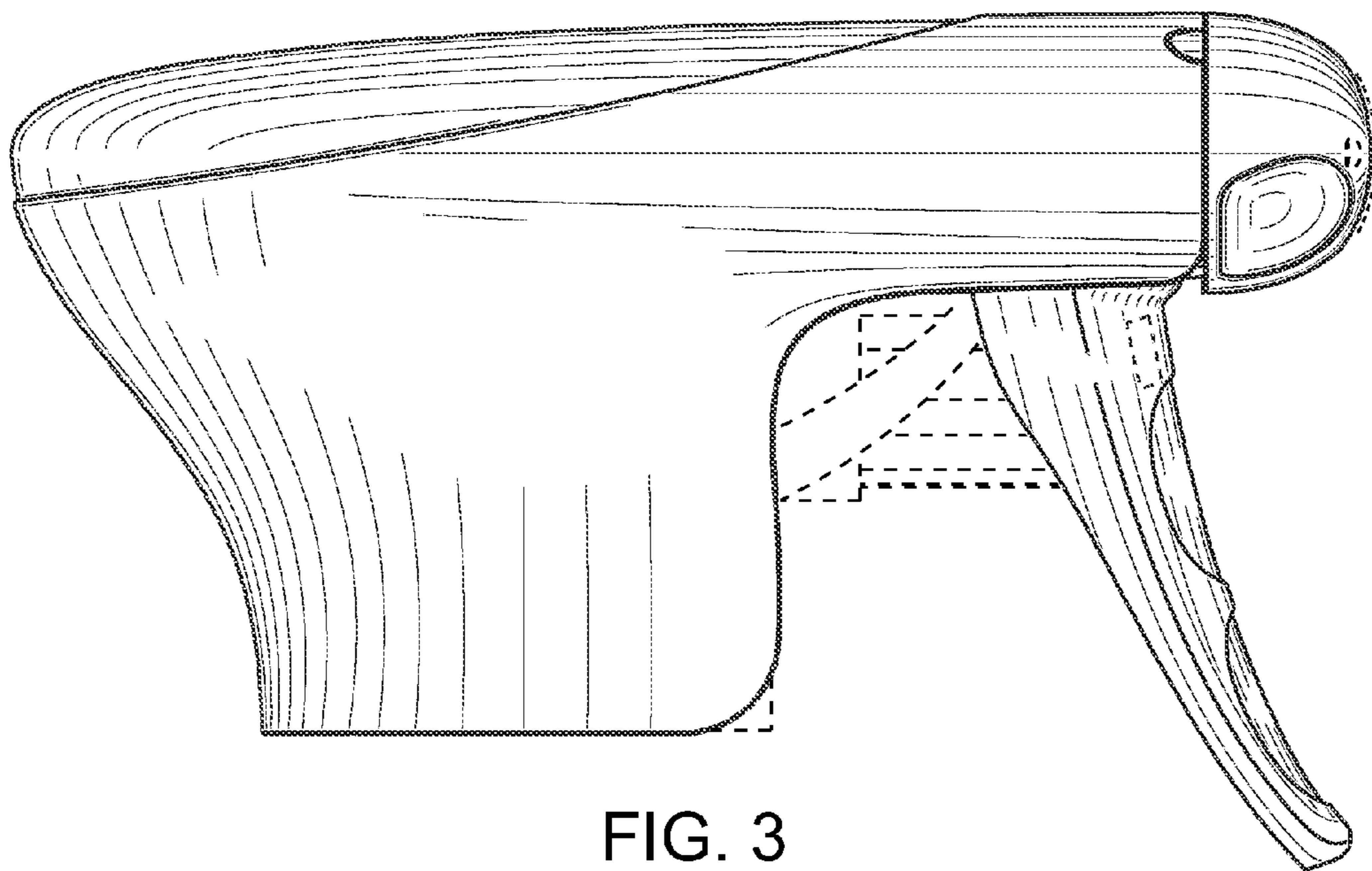
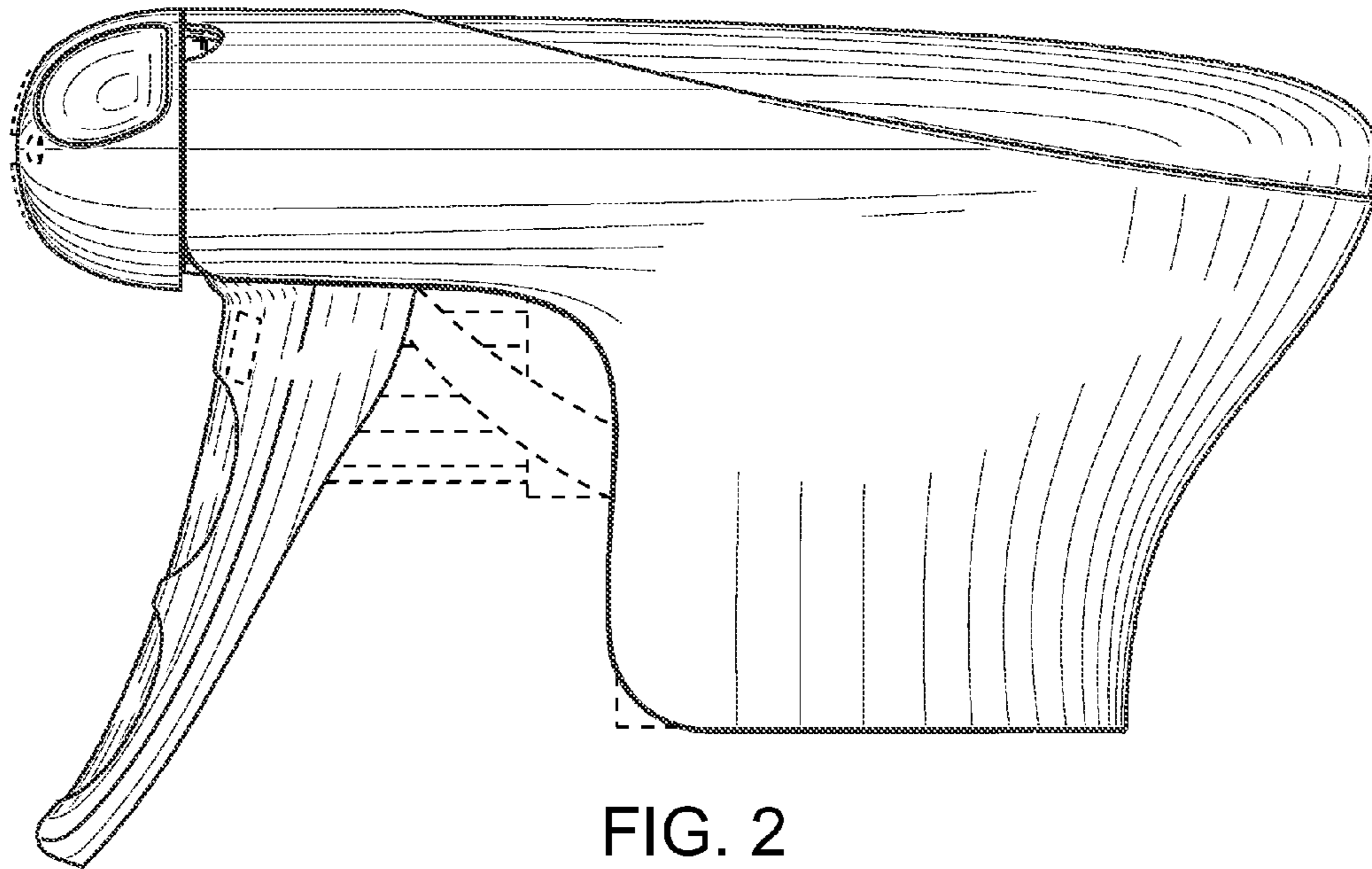


FIG. 1



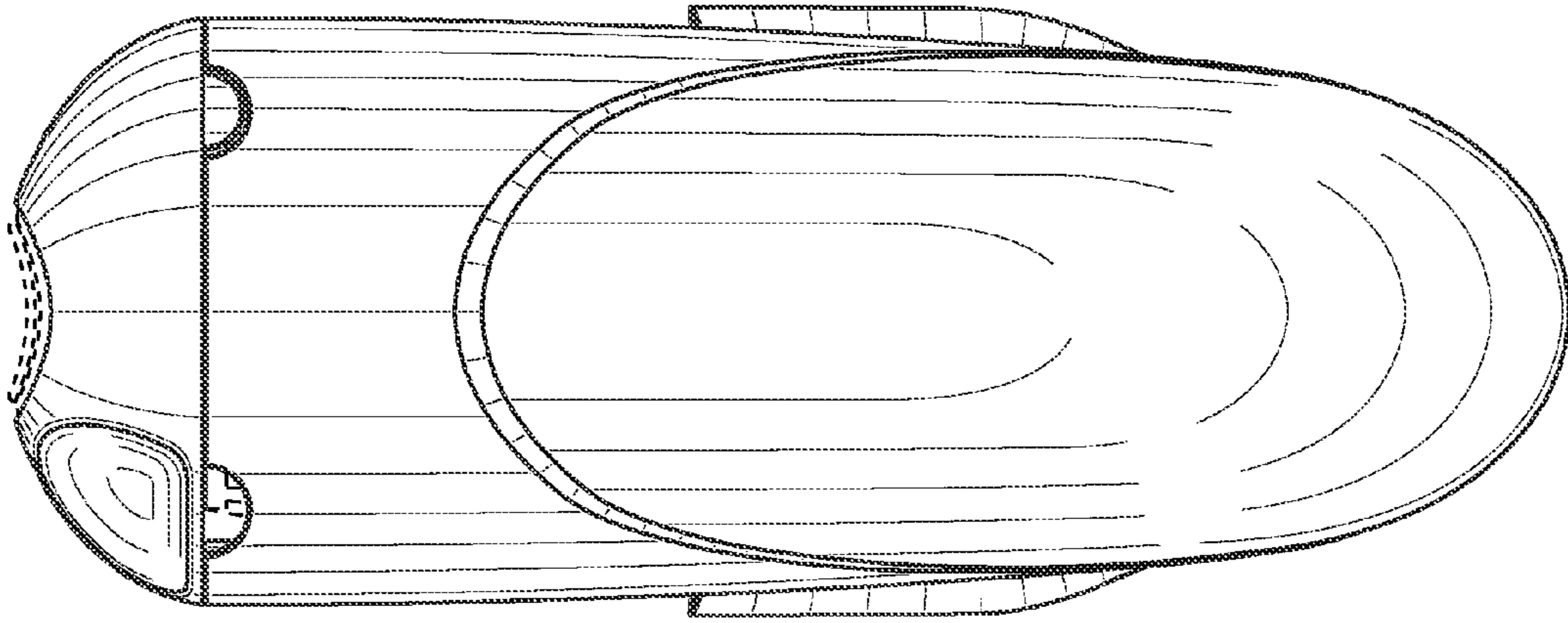


FIG. 4

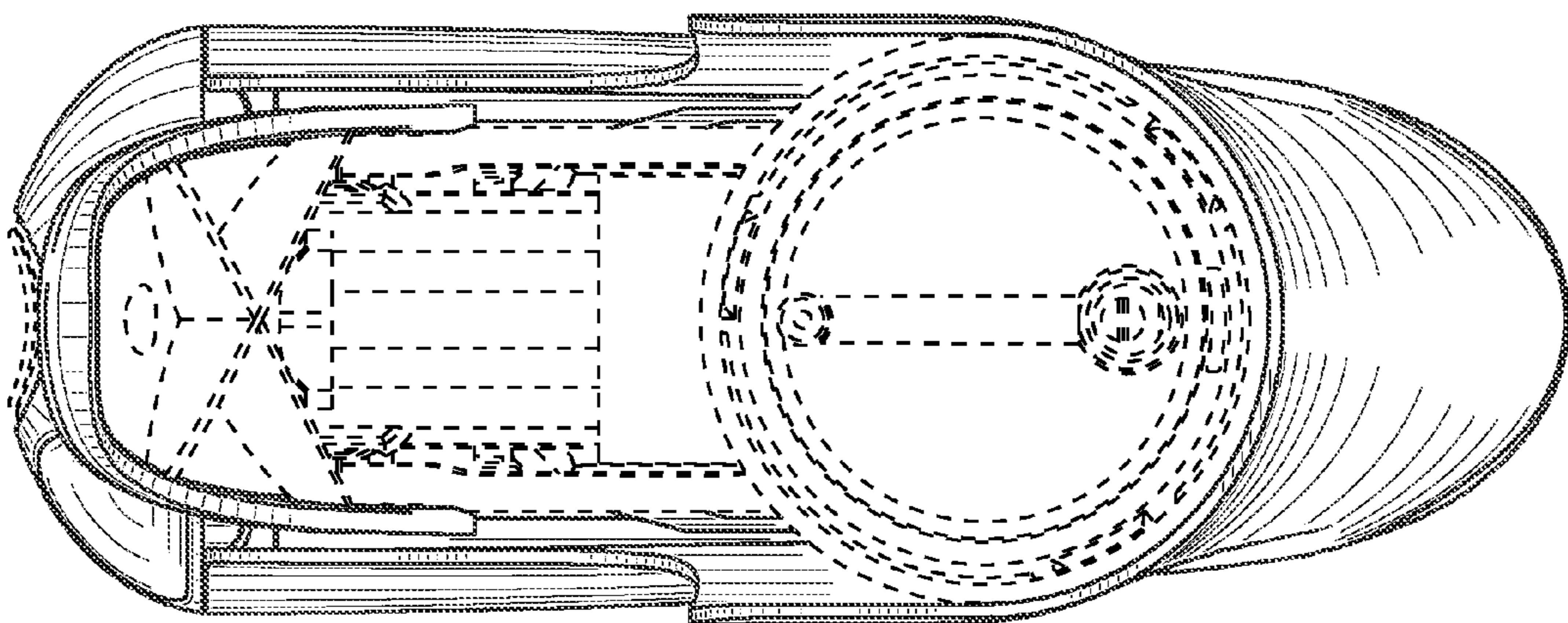


FIG. 5

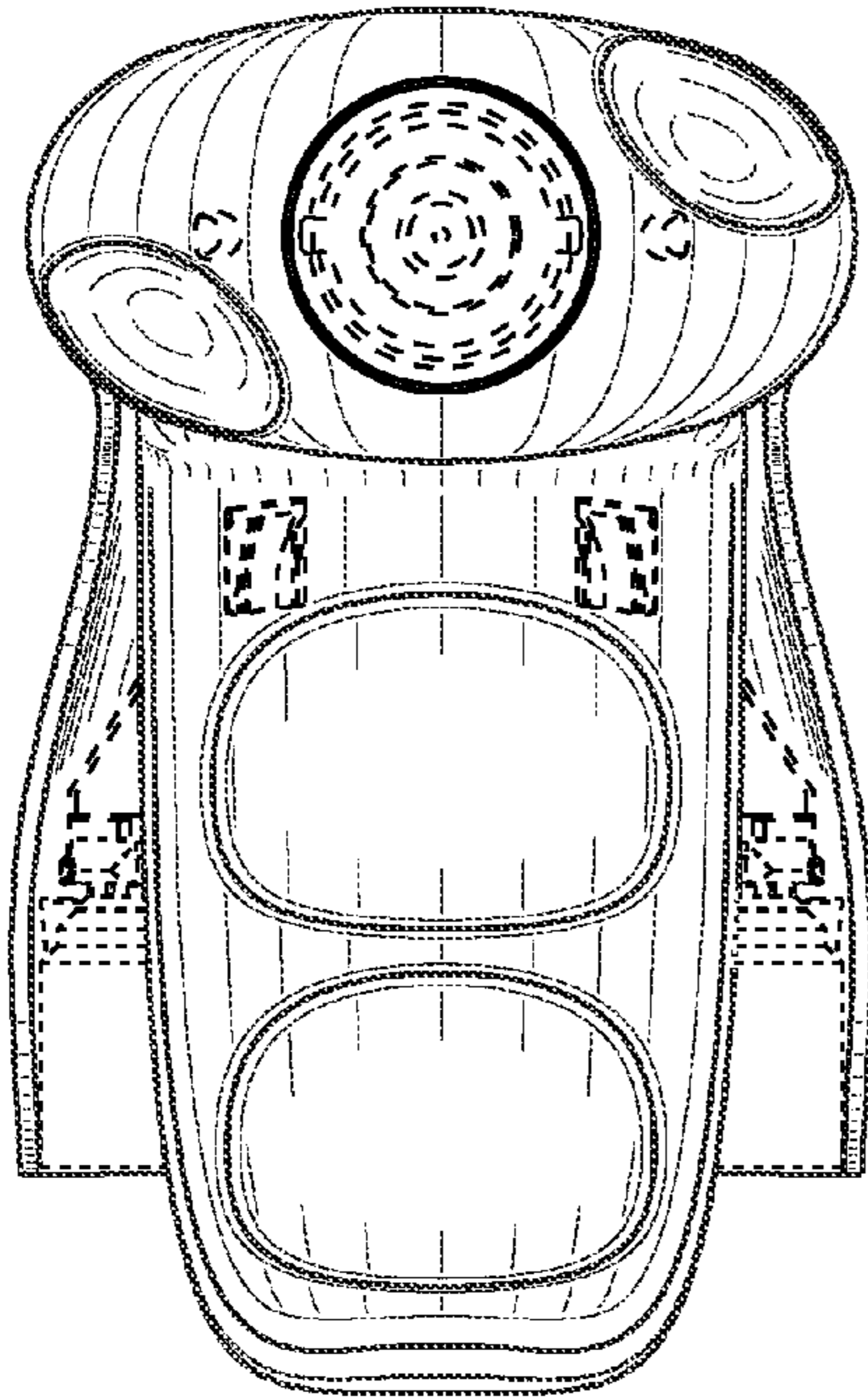


FIG. 6

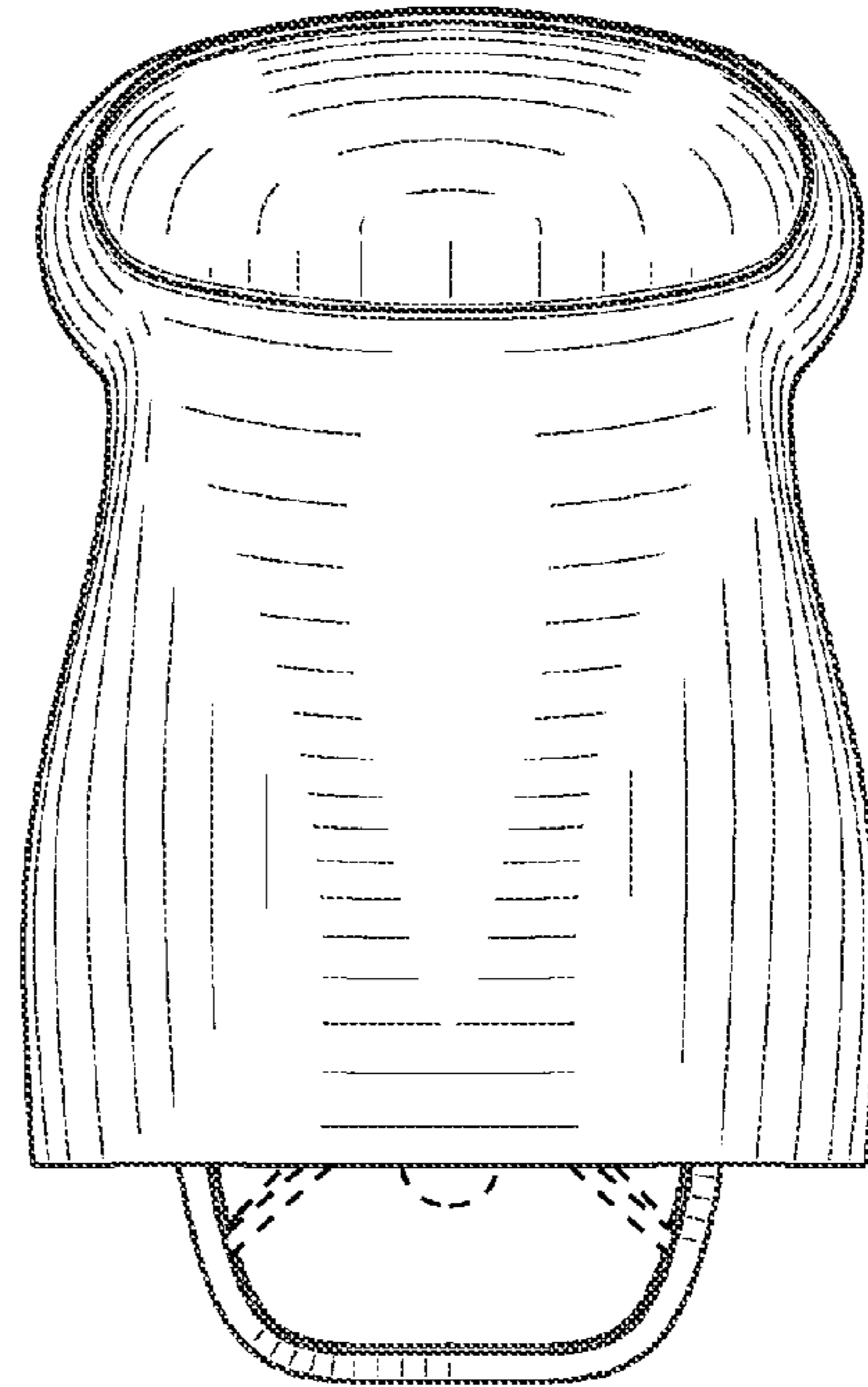


FIG. 7

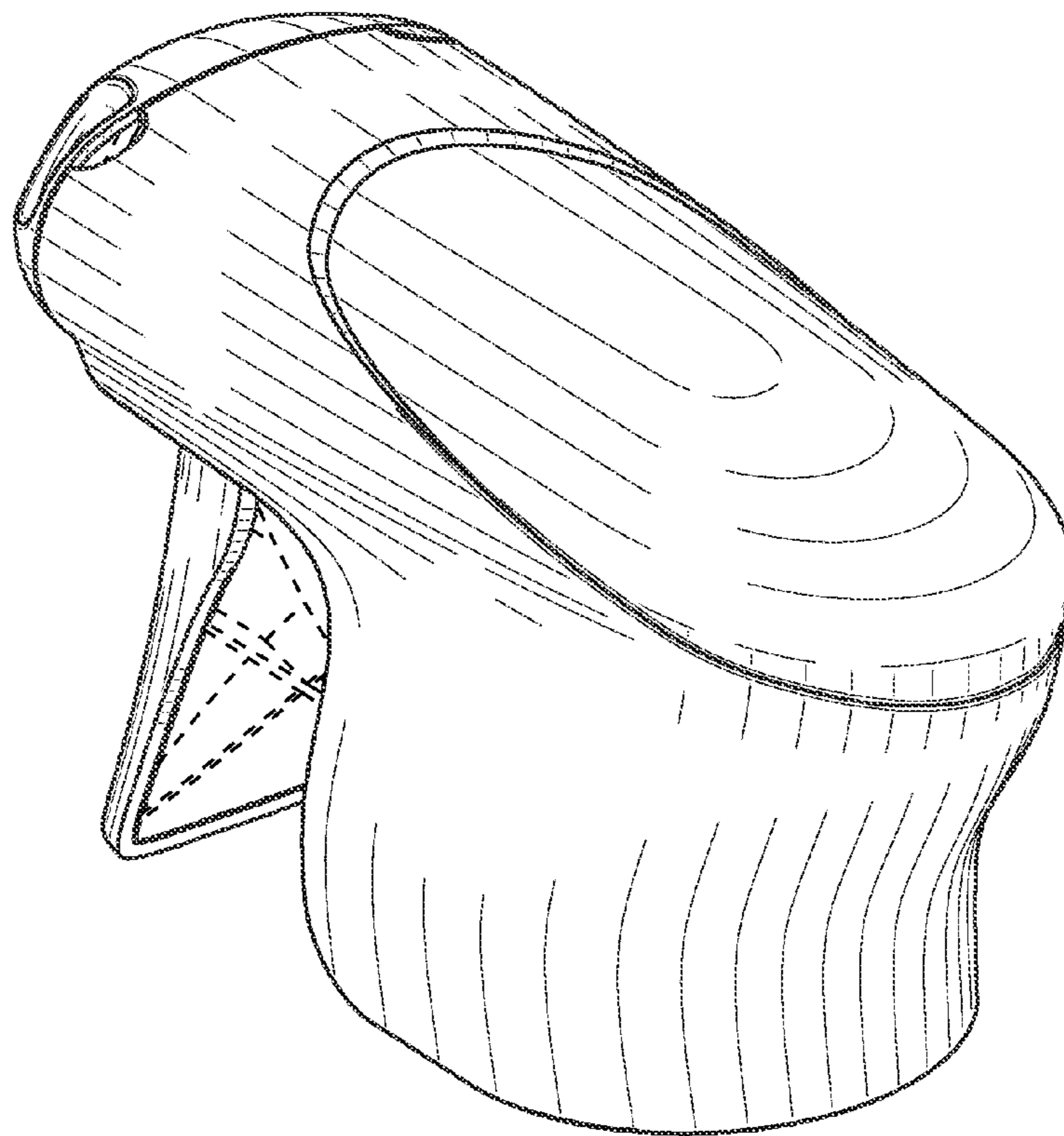


FIG. 8