



US00D700840S

(12) **United States Design Patent**  
**Vernon et al.**

(10) **Patent No.:** **US D700,840 S**  
(45) **Date of Patent:** **\*\* Mar. 11, 2014**

(54) **FOOD CONTAINER**

(71) Applicant: **Eco-Products, Inc.**, Boulder, CO (US)

(72) Inventors: **Luke Vernon**, Boulder, CO (US);  
**Gabriel Collins**, Boulder, CO (US);  
**Paul Santoski**, Boulder, CO (US); **Steve Rosse**, Boulder, CO (US)

(73) Assignee: **Eco-Products, Inc.**, Boulder, CO (US)

(\*\*) Term: **14 Years**

(21) Appl. No.: **29/458,892**

(22) Filed: **Jun. 24, 2013**

5,462,192 A \* 10/1995 Pomroy et al. .... 220/526  
5,950,834 A \* 9/1999 Woodnorth et al. .... 206/541  
6,042,000 A \* 3/2000 Kawamoto ..... 229/406

(Continued)

**OTHER PUBLICATIONS**

Folia™ One Piece. [online] Retrieved Dec. 12, 2013 from URL:  
<[http://www.ecoproductsstore.com/fovia\\_one\\_piece.html](http://www.ecoproductsstore.com/fovia_one_piece.html)>.\*

*Primary Examiner* — Susan Bennett Hattan

*Assistant Examiner* — Vy Koenig

(74) *Attorney, Agent, or Firm* — Holland & Hart LLP

(57) **CLAIM**

The ornamental design for a food container, as shown and described.

**DESCRIPTION**

FIG. 1 is a top perspective view of the food container, showing our new design;  
FIG. 2 is a front elevation view of the design illustrated in FIG. 1;  
FIG. 3 is a rear elevation view of the design illustrated in FIG. 1;  
FIG. 4 is a right side elevation view of the design illustrated in FIG. 1;  
FIG. 5 is a left side elevation view of the design illustrated in FIG. 1;  
FIG. 6 is a top view of the design illustrated in FIG. 1;  
FIG. 7 is a bottom view of the design illustrated in FIG. 1;  
FIG. 8 is a top view of the design illustrated in FIG. 1 showing recessed flaps of the design;  
FIG. 9 is a top view of the design illustrated in FIG. 1 showing the flaps of the design in an alternate position; and,  
FIG. 10 is a top perspective view of the design illustrated in FIG. 1 showing the flaps of the design in another alternate position.  
The broken lines in FIGS. 1-10 depict environmental subject matter only and form no part of the claimed design.

**Related U.S. Application Data**

(63) Continuation of application No. 29/434,127, filed on Oct. 10, 2012, now Pat. No. Des. 688,552.

(51) **LOC (10) Cl.** ..... **09-03**

(52) **U.S. Cl.**  
USPC ..... **D9/431; D9/434**

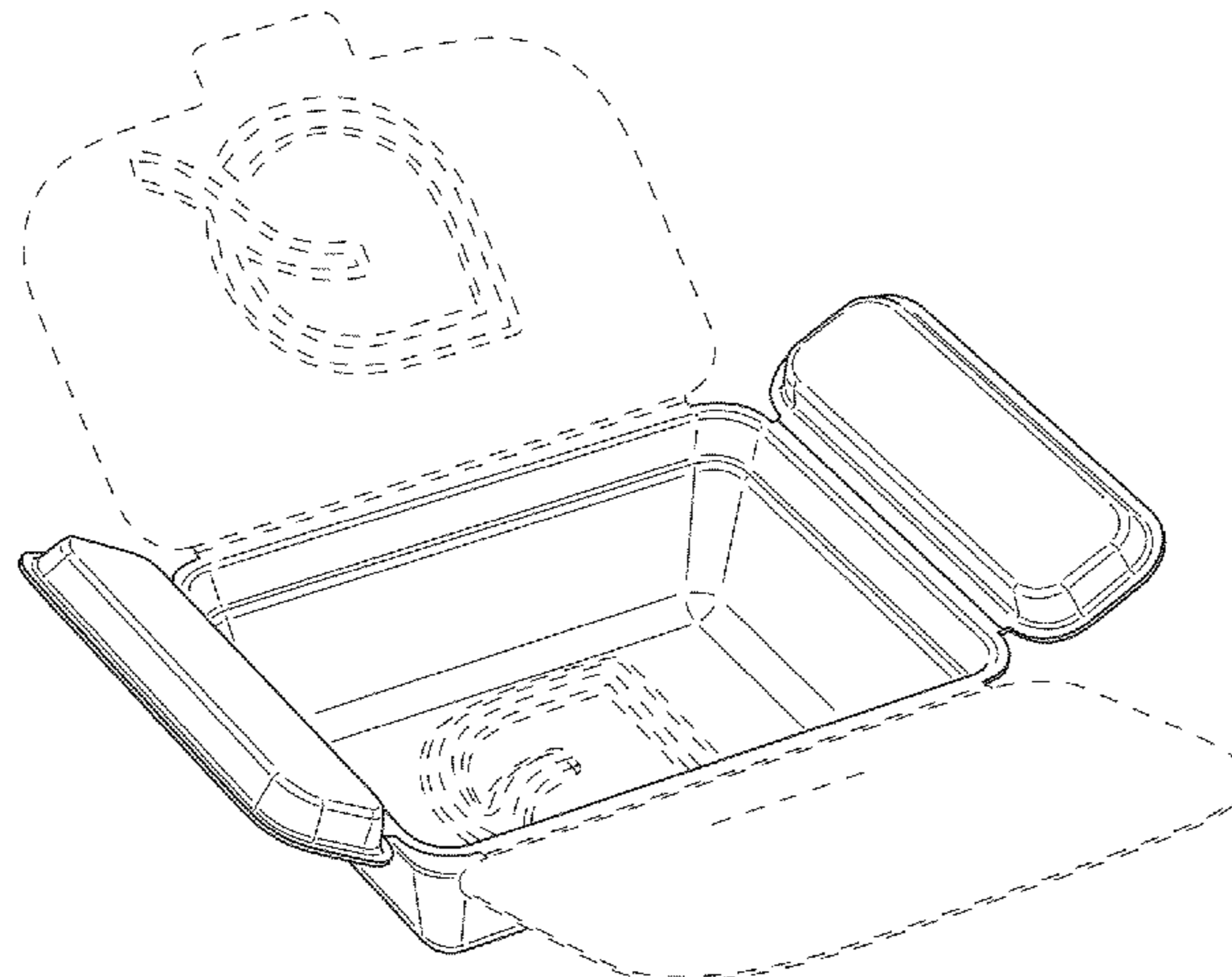
(58) **Field of Classification Search**  
USPC ..... D9/430-435, 414, 418, 420-424;  
D3/272, 273, 302; 206/267, 269, 270,  
206/273, 299, 737, 740, 822; 229/100, 101,  
229/101.3, 106, 108-112, 124, 125, 162.1,  
229/165, 172, 182.1, 183, 185, 200, 210,  
229/221, 406, 407; D7/601, 602  
See application file for complete search history.

(56) **References Cited**

**U.S. PATENT DOCUMENTS**

3,933,296 A \* 1/1976 Ruskin et al. .... 229/406  
5,277,329 A \* 1/1994 Pomroy et al. .... 220/526  
D354,436 S \* 1/1995 Krupa ..... D9/423

**1 Claim, 8 Drawing Sheets**



# US D700,840 S

Page 2

---

(56)

## References Cited

### U.S. PATENT DOCUMENTS

D516,388 S *	3/2006	Wells .....	D7/629	D668,555 S *	10/2012	Archie et al. ....	D9/761
D649,869 S *	12/2011	Gibson et al. ....	D9/421	8,360,262 B2 *	1/2013	Vovan .....	220/522
D664,425 S *	7/2012	Krupa .....	D9/420	D684,465 S *	6/2013	Vernon et al. ....	D9/432
				D688,552 S *	8/2013	Vernon et al. ....	D9/431
				2005/0037113 A1 *	2/2005	Archie, Jr. ....	426/109

\* cited by examiner

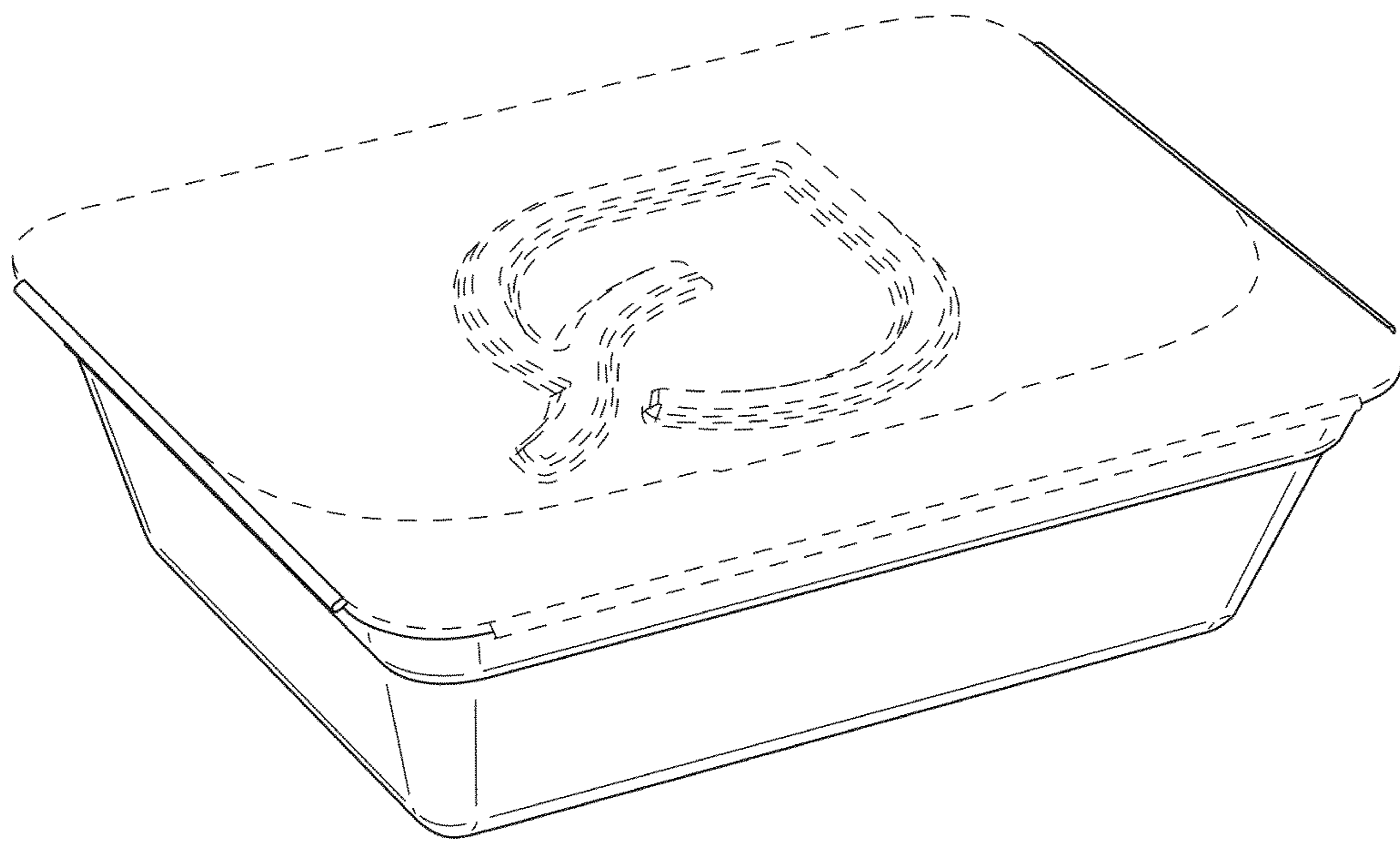


FIG.1

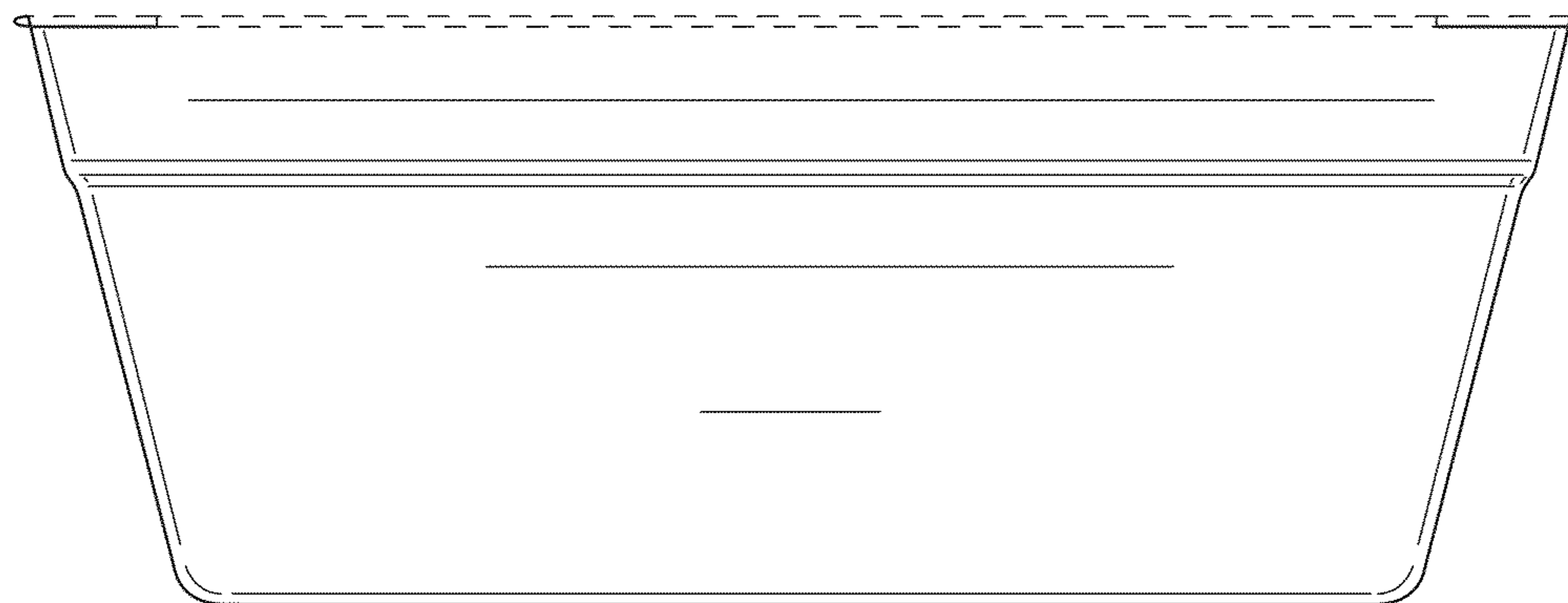


FIG. 2

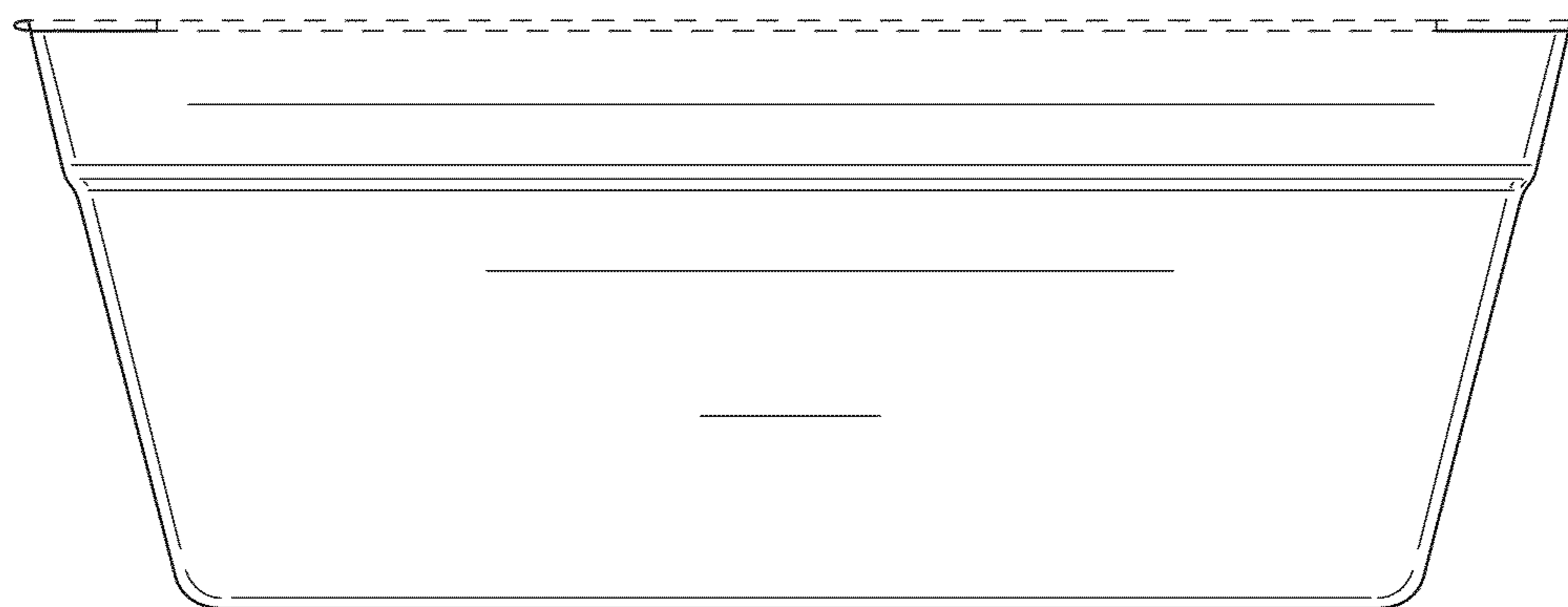


FIG. 3

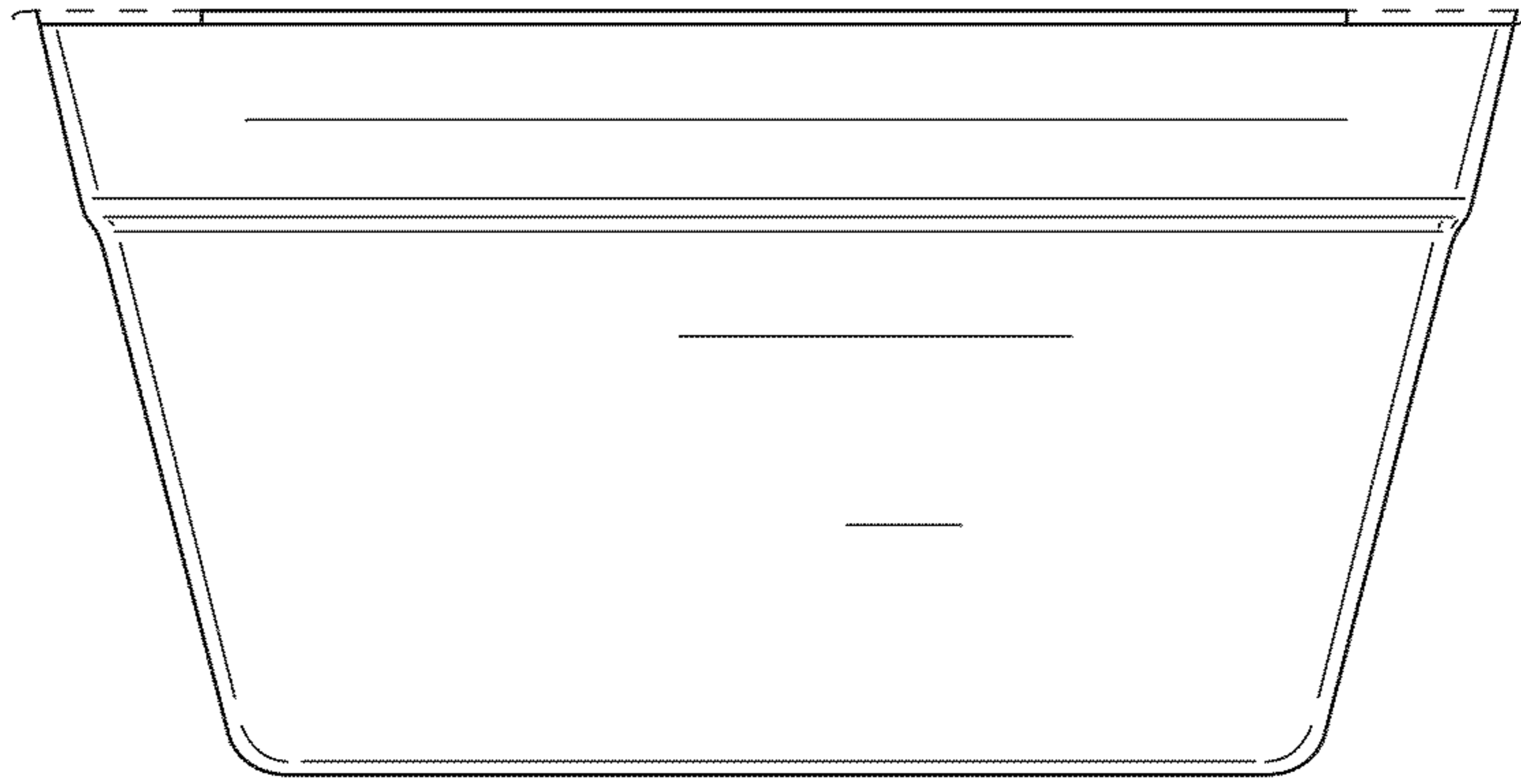


FIG. 4

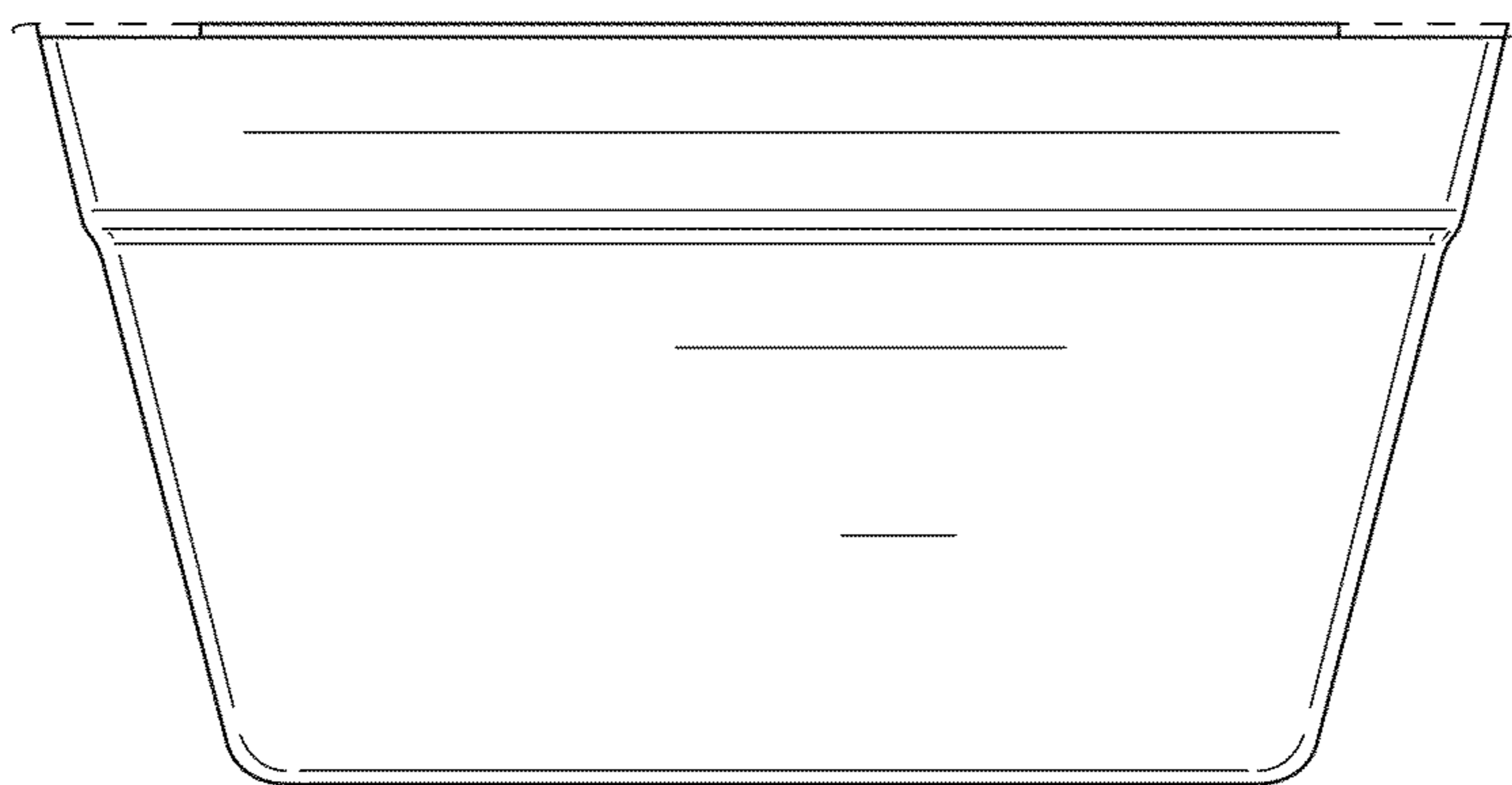


FIG. 5

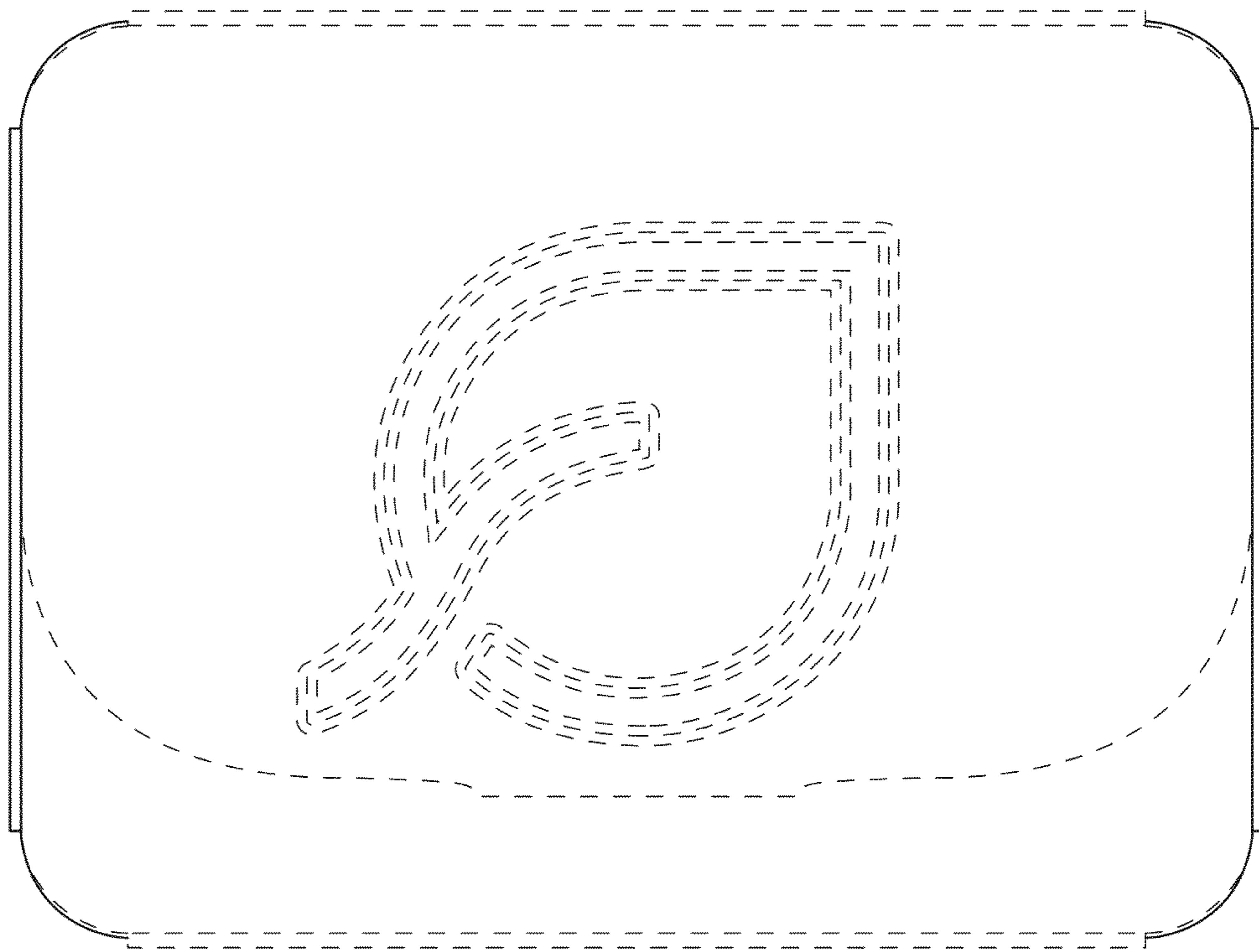


FIG.6

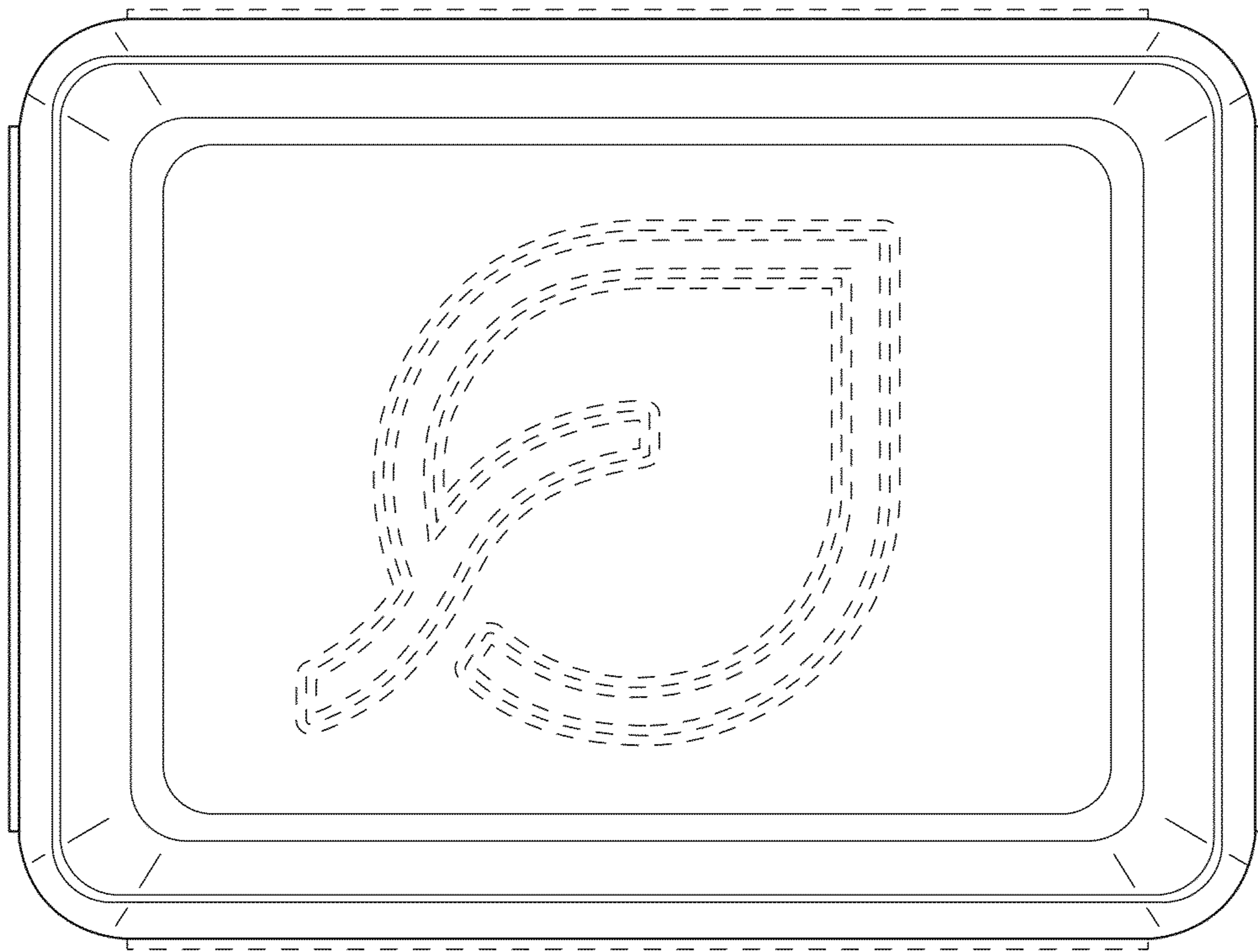


FIG. 7

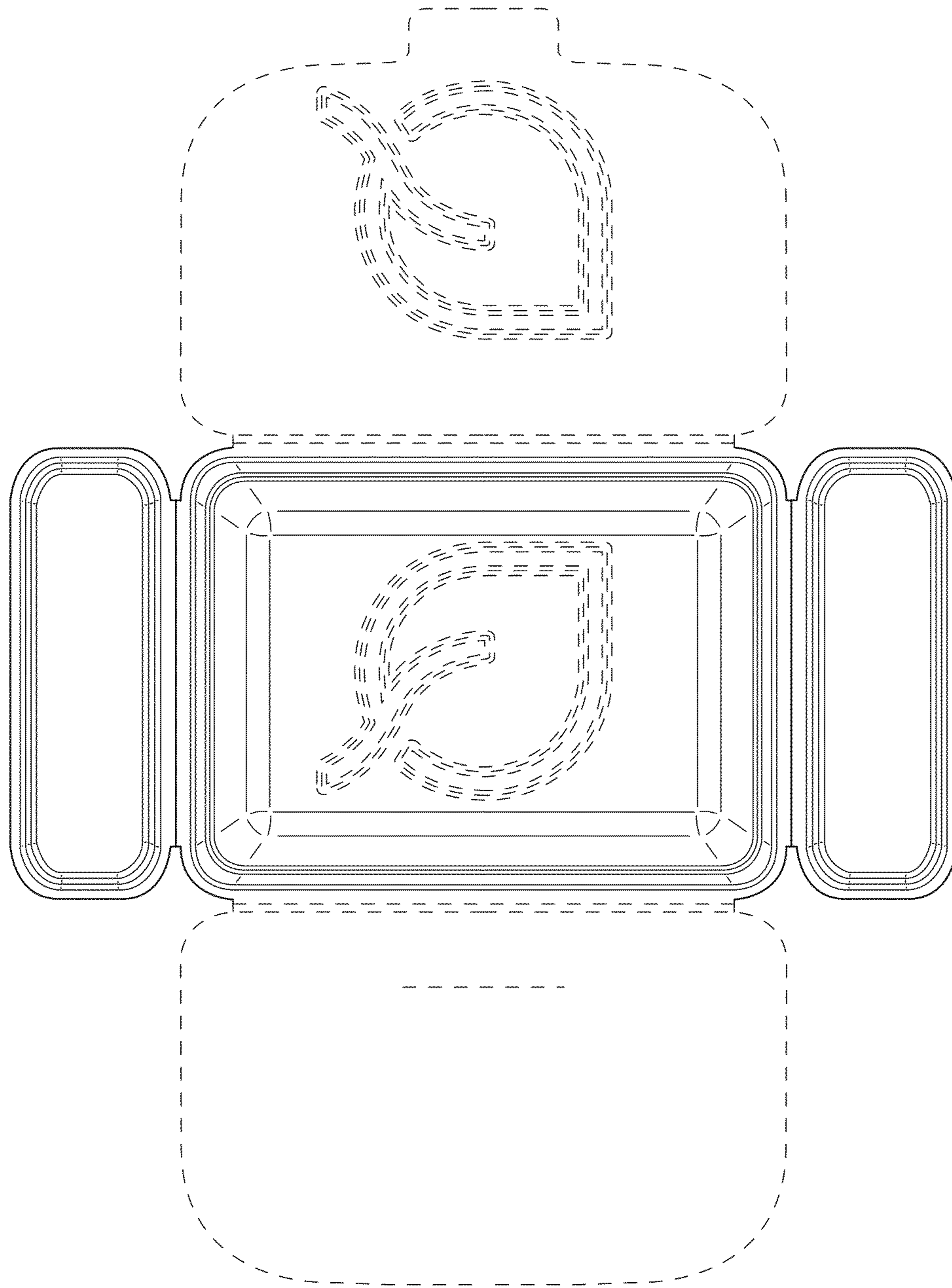


FIG.8



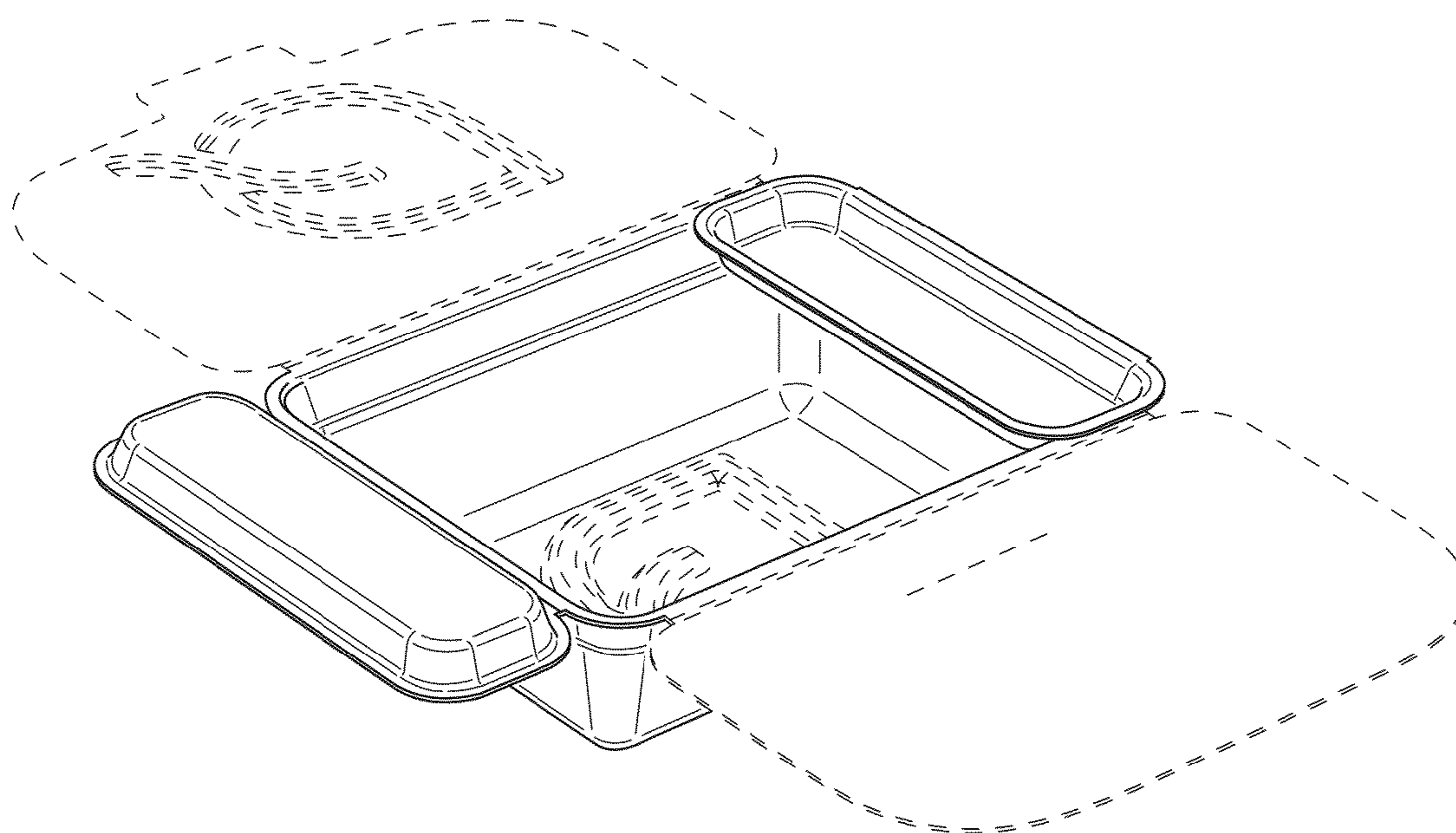


FIG.9

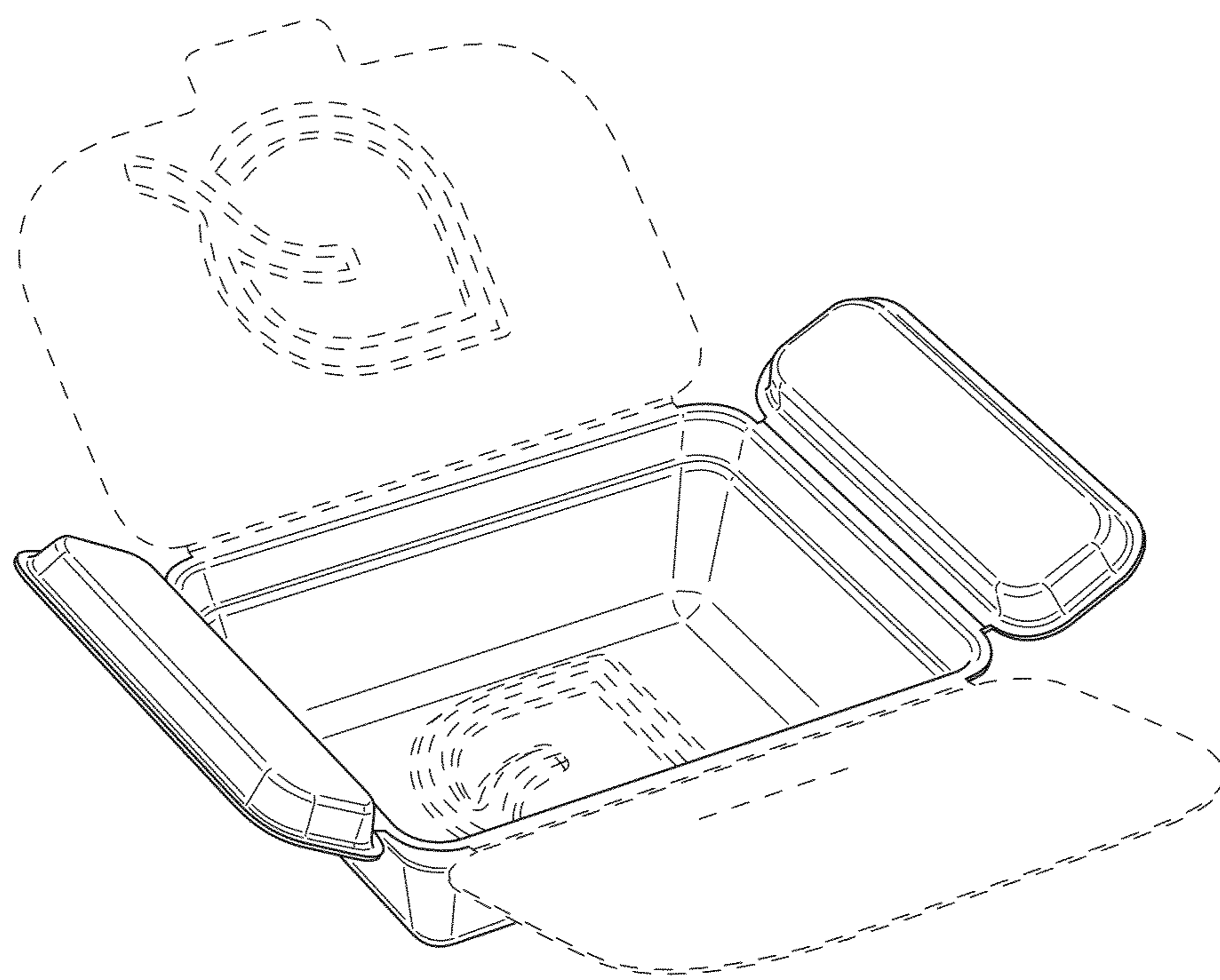


FIG.10