



US00D700838S

(12) **United States Design Patent**
Oommen

(10) **Patent No.:** **US D700,838 S**
(45) **Date of Patent:** **** Mar. 11, 2014**

(54) **CONTAINER**

(71) Applicant: **Roy V. Oommen**, Bloomfield, NJ (US)

(72) Inventor: **Roy V. Oommen**, Bloomfield, NJ (US)

(73) Assignee: **The Dannon Company, Inc.**, White Plains, NY (US)

(**) Term: **14 Years**

(21) Appl. No.: **29/450,038**

(22) Filed: **Mar. 15, 2013**

(51) **LOC (10) Cl.** **09-03**

(52) **U.S. Cl.**
USPC **D9/425**

(58) **Field of Classification Search**

USPC 417/414, 418, 424, 425, 428, 429, 430, 417/431, 702, 707, 710; D7/354, 392.1, D7/394, 396.1, 538, 543-545, 550.1, 551, D7/554.3, 587, 566, 575, 584, 586, 619, D7/629, 667; 229/400-406, 932, 906.1; 220/4.23, 4.24, 574, 602-608, 659, 220/675, 781, 782, 793, 835, 839, DIG. 14; 206/553, 557, 541, 775, 776, 119, 470, 206/508, 521.1, 545, 806; D24/104; D28/8.1; D3/302, 314; 219/725, 728, 219/735

See application file for complete search history.

(56) **References Cited**

U.S. PATENT DOCUMENTS

D273,842 S * 5/1984 Jeannin D9/758
D369,971 S * 5/1996 Brauner et al. D9/428

5,782,376 A * 7/1998 Brauner et al. 220/669
D512,631 S * 12/2005 Lhoste et al. D9/558
D577,996 S * 10/2008 Isono et al. D9/428
D580,750 S * 11/2008 Claassen et al. D9/428
D630,337 S * 1/2011 Chia et al. D24/224
D630,504 S * 1/2011 Scott et al. D9/425
D650,637 S * 12/2011 Lasky et al. D7/602
D682,087 S * 5/2013 Bourguignon D9/425
2012/0251679 A1* 10/2012 Ferry 426/130

* cited by examiner

Primary Examiner — Thomas Johannes

(74) *Attorney, Agent, or Firm* — Greenberg Traurig, LLP

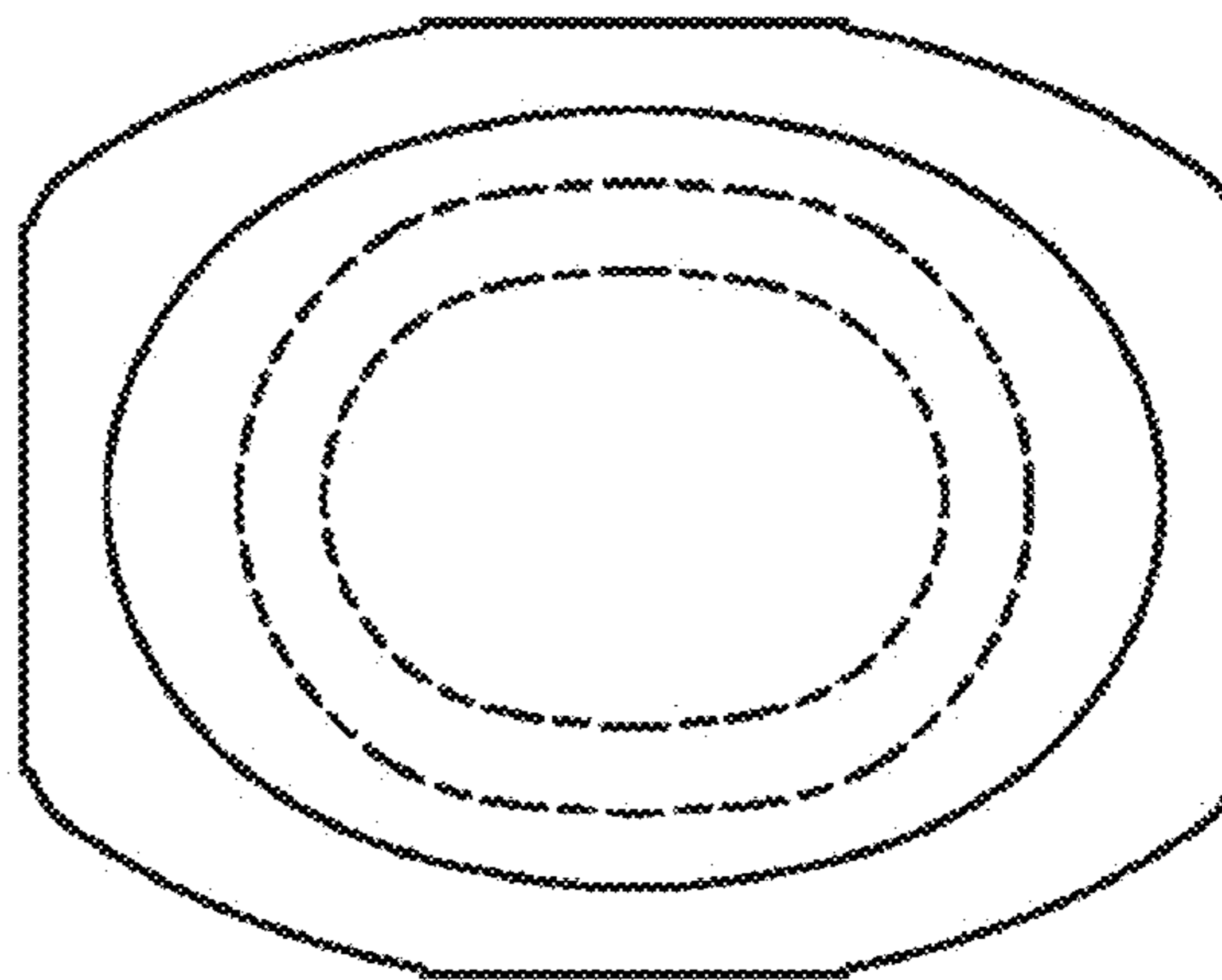
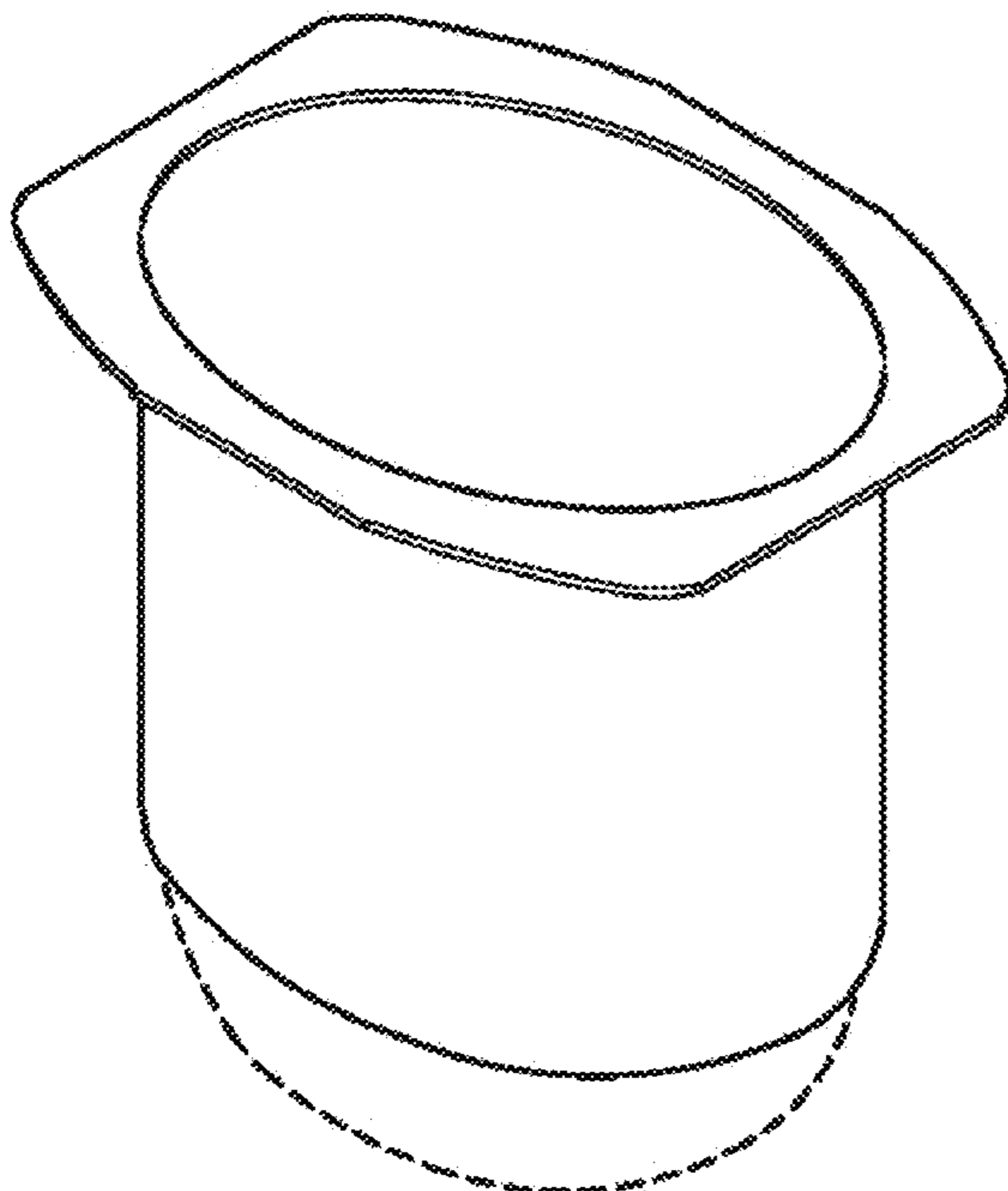
(57) **CLAIM**

The ornamental design for a container, as shown and described.

DESCRIPTION

FIG. 1 is a perspective view of a container showing our new design;
FIG. 2 is a top view thereof;
FIG. 3 is a front view thereof;
FIG. 4 is a right side view thereof; and,
FIG. 5 is a bottom view thereof.
The broken line portion of the figure drawings is included to show unclaimed subject matter only and forms no part of the claimed design.

1 Claim, 2 Drawing Sheets



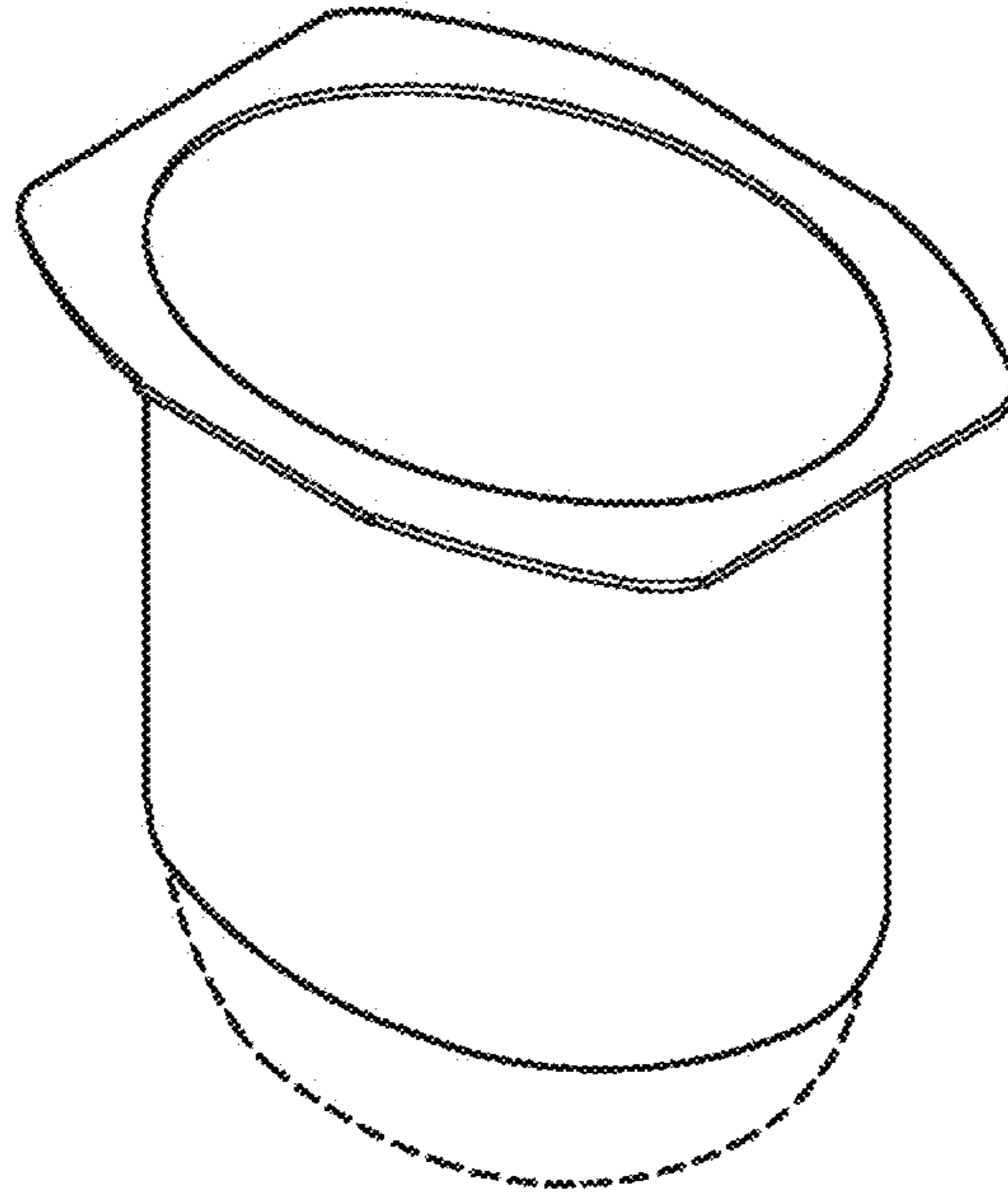


FIG. 1

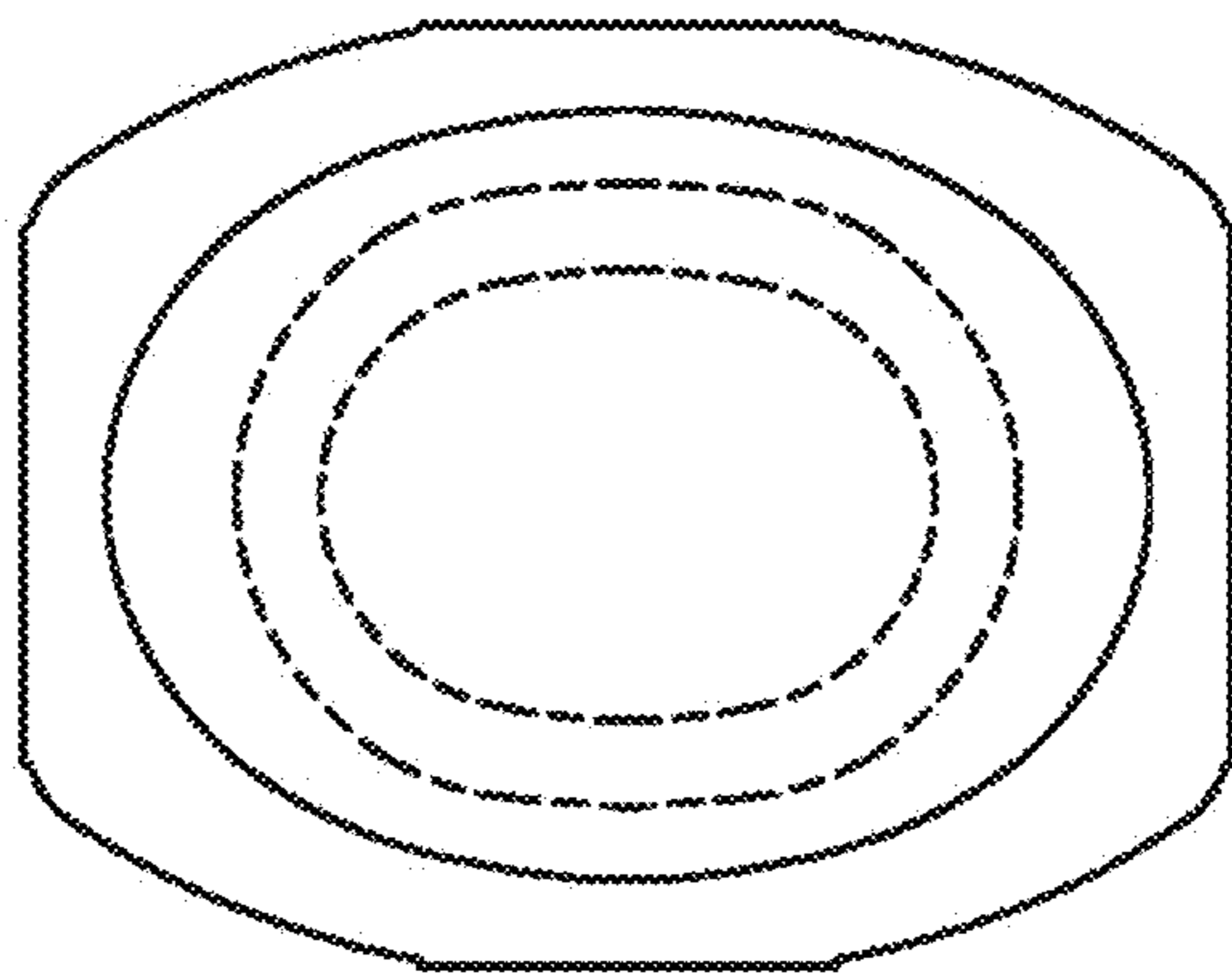


FIG. 2

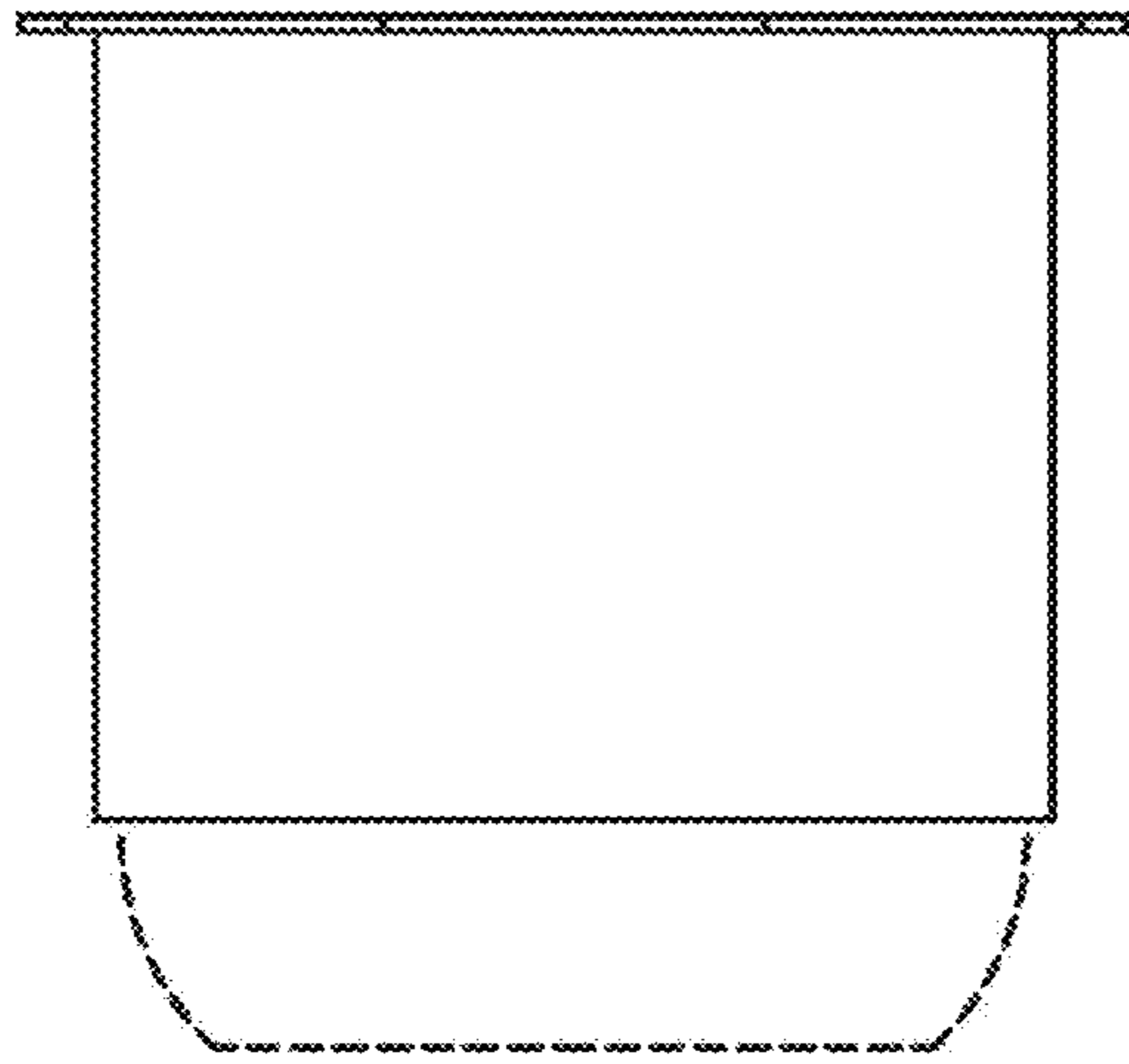


FIG. 3

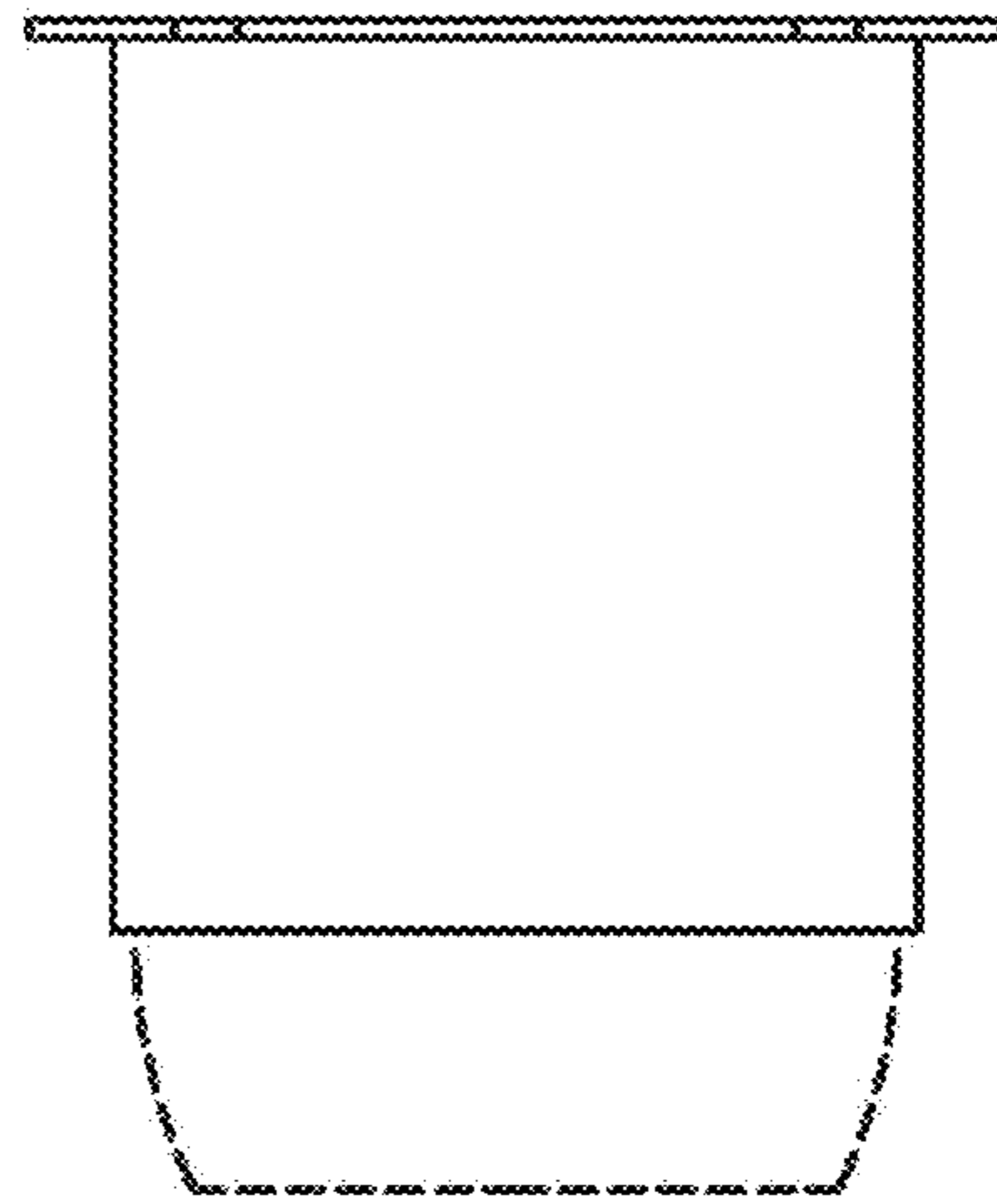


FIG. 4

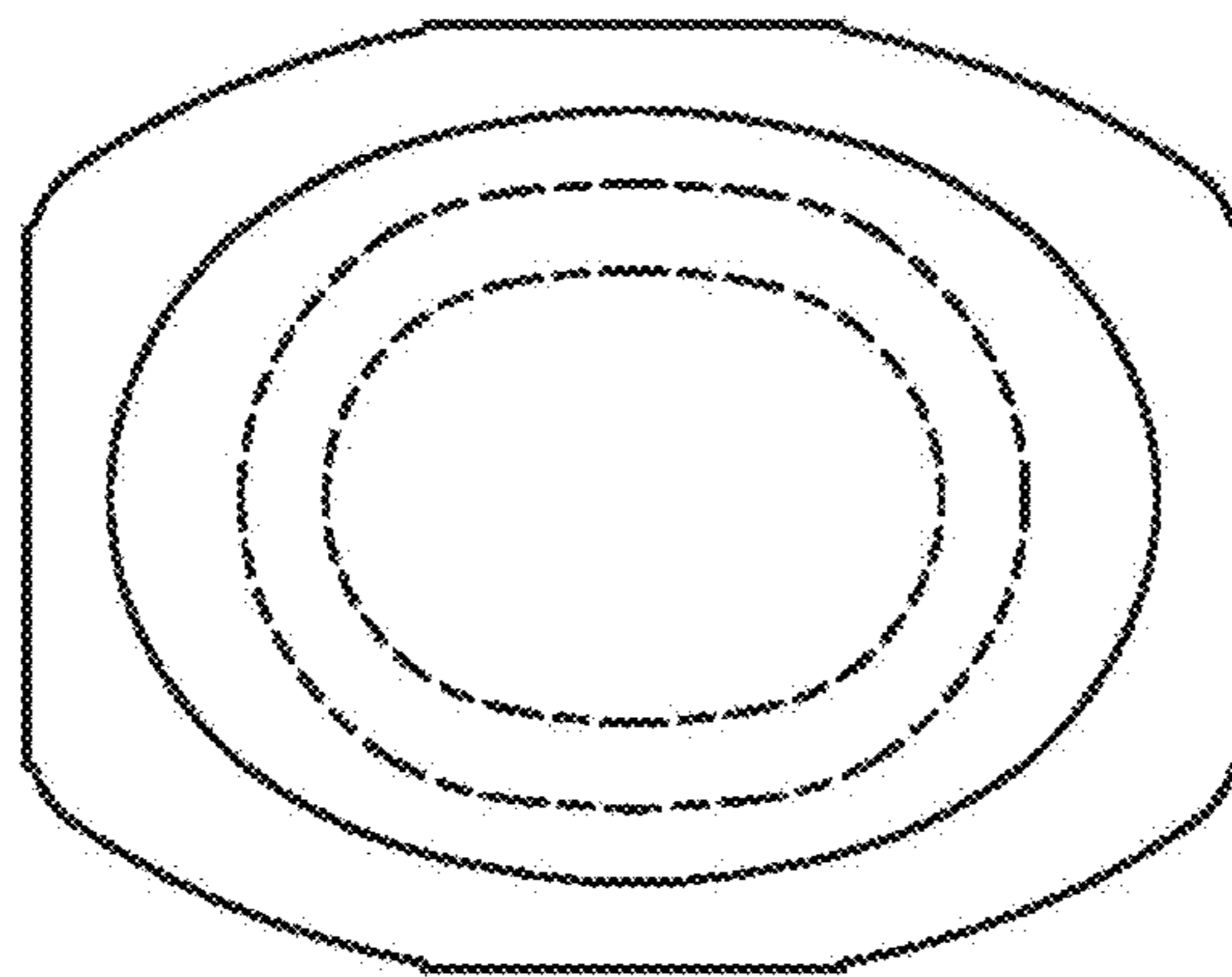


FIG. 5