



US00D700837S

(12) **United States Design Patent**
Antal, Sr.

(10) **Patent No.:** **US D700,837 S**
(45) **Date of Patent:** **** Mar. 11, 2014**

(54) **DISPENSER FOR WEB MATERIAL**

(75) Inventor: **Keith E. Antal, Sr.**, Valatie, NY (US)

(73) Assignee: **Sonoco Development, Inc.**, Hartsville, SC (US)

(**) Term: **14 Years**

(21) Appl. No.: **29/426,434**

(22) Filed: **Jul. 5, 2012**

(51) **LOC (10) Cl.** **09-03**

(52) **U.S. Cl.**
USPC **D9/419**

(58) **Field of Classification Search**
USPC D9/414, 415, 416, 417, 418, 419, 420,
D9/424, 430, 431-433, 440, 457, 346, 732,
D9/703, 423, 772, 776-779; D6/682.4;
D11/207; 40/124.01, 124.16, 124.191;
206/39, 337, 538, 704, 461, 462, 463,
206/471; 229/72, 75, 113, 116

See application file for complete search history.

(56) **References Cited**

U.S. PATENT DOCUMENTS

D20,536 S	3/1891	Dennis
1,609,862 A	12/1926	Clifford
1,827,000 A	10/1931	Duffin
1,892,714 A	1/1933	Wellman
2,000,210 A	5/1935	Bayless
D128,642 S	8/1941	Preis
2,314,631 A	3/1943	Ray
2,334,997 A	11/1943	Doll
2,468,123 A	4/1949	Shina
2,507,403 A	5/1950	Gluck
2,659,525 A	11/1953	Wikstron
3,026,009 A	3/1962	Memain
3,062,424 A	11/1962	Stirrup
3,128,025 A	4/1964	Buttery et al.
RE25,876 E	10/1965	Buttery et al.

3,237,826 A	3/1966	Ringholz et al.
3,240,093 A	3/1966	Bell, Jr. et al.
3,467,298 A	9/1969	Wysocki
3,517,870 A	6/1970	Voytko

(Continued)

FOREIGN PATENT DOCUMENTS

WO	WO 2004/108572 A1	12/2004
WO	WO 2004/110710 A1	12/2004

(Continued)

OTHER PUBLICATIONS

<http://www.ebay.com/itm/Handmade-Custom-Octagon-Rod-Case-Tube-3-5Pc-Bamboo-...> *

Primary Examiner — Robert M Spear
Assistant Examiner — Rhea Shields
(74) *Attorney, Agent, or Firm* — Flaster/Greenberg, P.C.

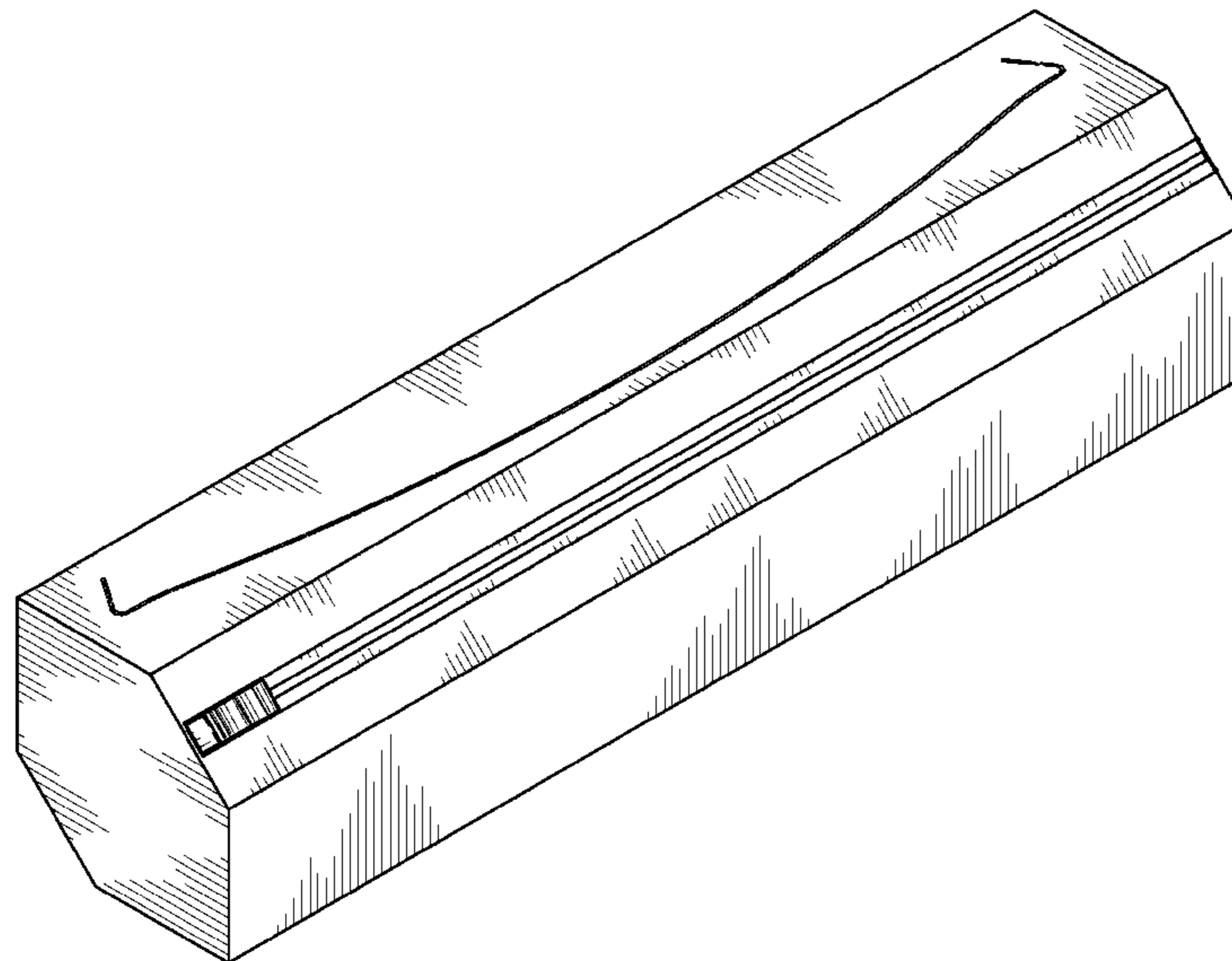
(57) **CLAIM**

The ornamental design for dispenser for web material, as shown and described.

DESCRIPTION

FIG. 1 is a perspective view of the dispenser for web material showing the new design;
FIG. 2 is a top plan view of the dispenser for web material of the new design;
FIG. 3 is a bottom plan view of the dispenser for web material of the new design;
FIG. 4 is a front elevation of the dispenser for web material of the new design;
FIG. 5 is a rear elevation of the dispenser for web material of the new design;
FIG. 6 is a right side elevation of the dispenser for web material of the new design; and,
FIG. 7 is a left side elevation of the dispenser for web material of the new design.

1 Claim, 4 Drawing Sheets



(56)

References Cited

U.S. PATENT DOCUMENTS

3,587,412 A 6/1971 Thomas et al.
 3,610,514 A 10/1971 Samsing
 3,843,034 A 10/1974 Lewandowsky
 3,948,455 A 4/1976 Schwartz
 4,095,730 A 6/1978 Clatterbuck
 4,197,774 A 4/1980 Singh et al.
 4,202,485 A 5/1980 Fremion
 D257,642 S 12/1980 Taylor
 4,245,536 A 1/1981 Urion
 D266,487 S 10/1982 Mansau
 4,382,510 A 5/1983 Gaffney
 4,441,642 A 4/1984 Finkel
 4,444,311 A 4/1984 Rias
 4,465,215 A 8/1984 Kai
 4,623,063 A 11/1986 Balkin
 4,637,514 A 1/1987 Kildea et al.
 4,881,675 A 11/1989 Varley, III
 5,009,372 A 4/1991 Loewe
 5,020,664 A 6/1991 Hughes et al.
 5,036,740 A 8/1991 Tsai
 5,053,795 A 10/1991 Wyman
 5,064,066 A 11/1991 Barnes
 D324,823 S 3/1992 Scarpa et al.
 D328,168 S 7/1992 Bartle
 5,176,272 A 1/1993 Ryan
 5,390,790 A 2/1995 Straub et al.
 D372,387 S 8/1996 Kuchenbecker
 5,620,128 A 4/1997 Dingman et al.
 D401,147 S 11/1998 Miller
 D402,201 S 12/1998 Miller
 5,884,763 A 3/1999 Ozawa
 5,941,476 A 8/1999 Copass
 D416,582 S 11/1999 Dunshee et al.
 6,056,179 A 5/2000 Muzquiz
 6,105,481 A 8/2000 Schuler
 D442,084 S 5/2001 Hoffman et al.

D456,449 S 4/2002 Dunshee et al.
 D478,002 S 8/2003 Lin
 D479,992 S 9/2003 Gehring et al.
 6,612,473 B1 9/2003 Newby et al.
 D495,598 S 9/2004 Smith
 D502,104 S * 2/2005 Schmedes D9/523
 D502,646 S * 3/2005 Postulka D9/430
 6,929,213 B1 8/2005 Contreras
 D516,421 S * 3/2006 Gironi et al. D9/431
 D524,155 S 7/2006 Coppola et al.
 D556,267 S * 11/2007 Nip D21/385
 D567,076 S 4/2008 Ballard
 7,406,904 B2 8/2008 Antal et al.
 D582,266 S 12/2008 Helms, Jr. et al.
 D588,453 S 3/2009 Glade
 D588,934 S 3/2009 Bailey et al.
 7,603,937 B2 10/2009 Pavlik et al.
 D609,118 S 2/2010 Woodworth
 D616,233 S 5/2010 Yang
 D617,184 S 6/2010 Sneva
 7,740,158 B2 6/2010 Kanbar
 D628,884 S 12/2010 Smith
 7,938,357 B2 5/2011 Johanson et al.
 D640,133 S 6/2011 Jones et al.
 2003/0116612 A1 6/2003 Polloni et al.
 2003/0140760 A1 7/2003 Bory
 2005/0005755 A1 1/2005 Turvey et al.
 2005/0034585 A1 2/2005 Antal
 2006/0202079 A1 9/2006 Pavlik
 2008/0128478 A1 6/2008 Quadrelli
 2009/0014507 A1 1/2009 D'Amato
 2010/0176187 A1 7/2010 Shaboo

FOREIGN PATENT DOCUMENTS

WO WO 2004/110709 A1 12/2004
 WO WO 2005/073107 A1 8/2005
 WO WO 2009/121125 A1 10/2009

* cited by examiner

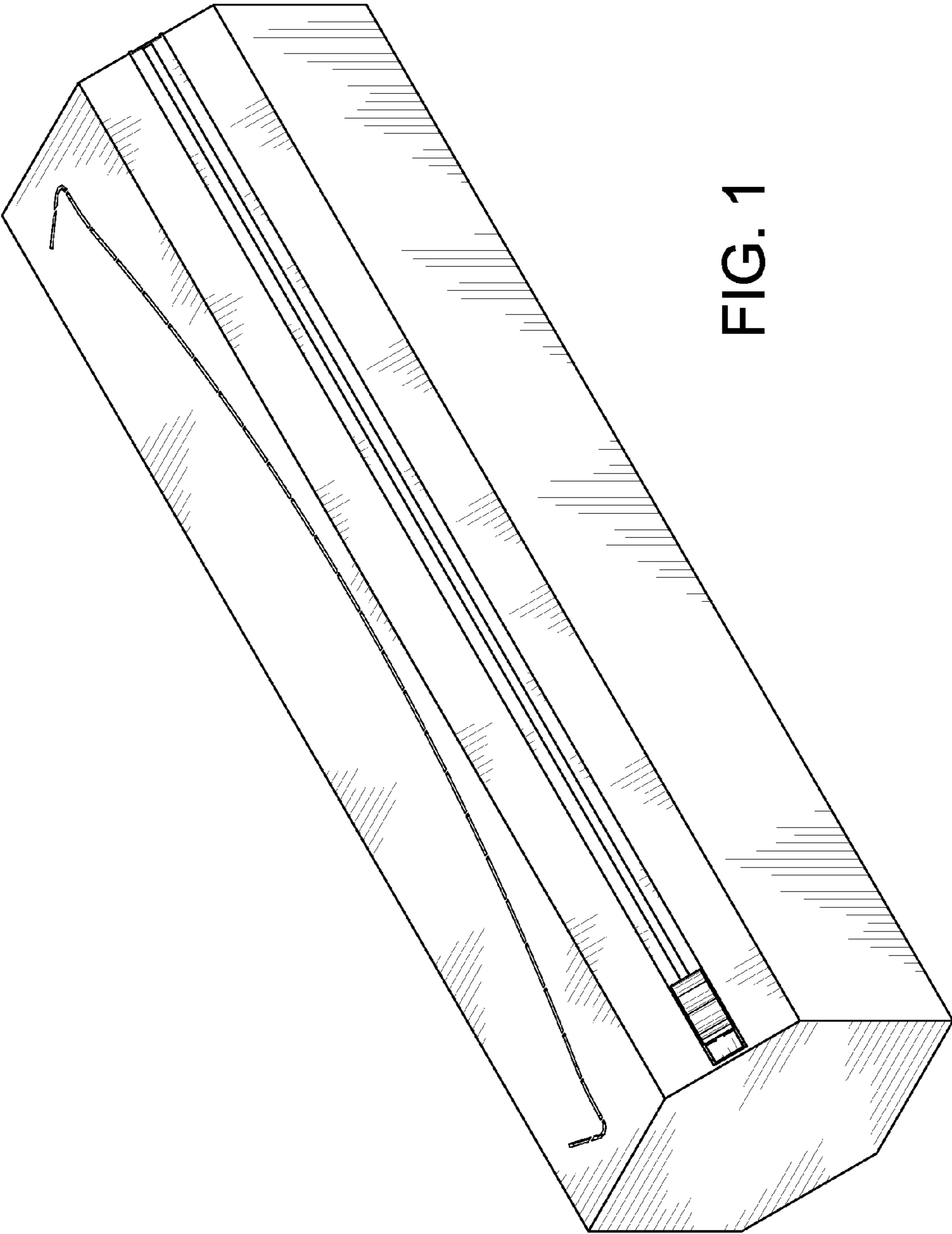


FIG. 1

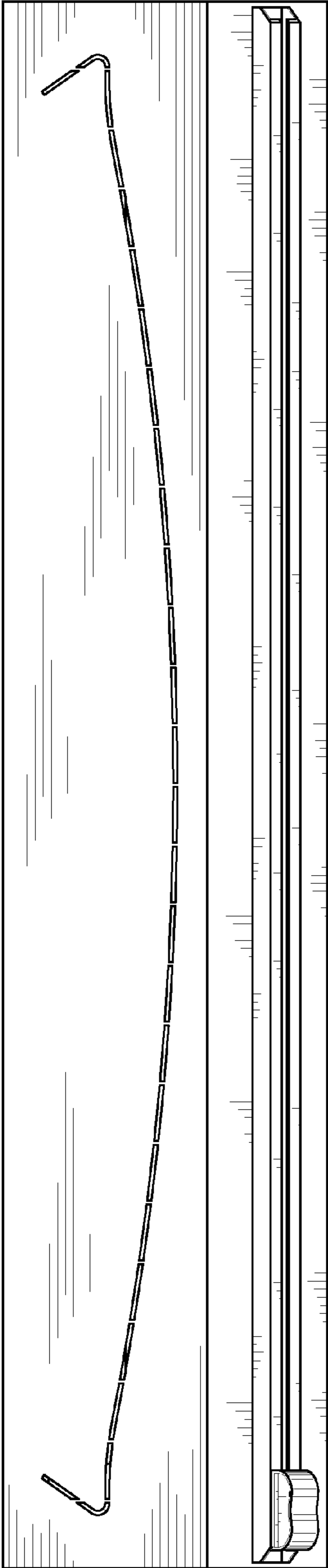


FIG. 2

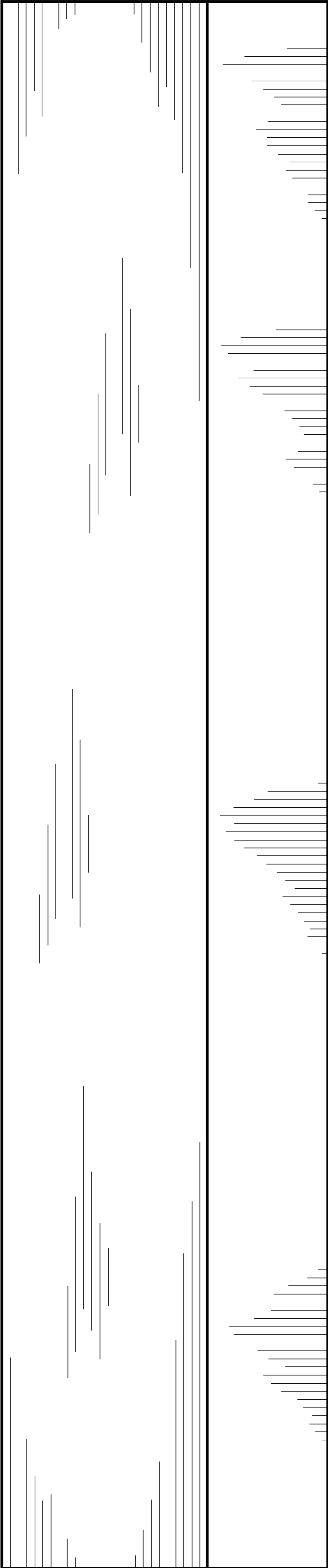


FIG. 3

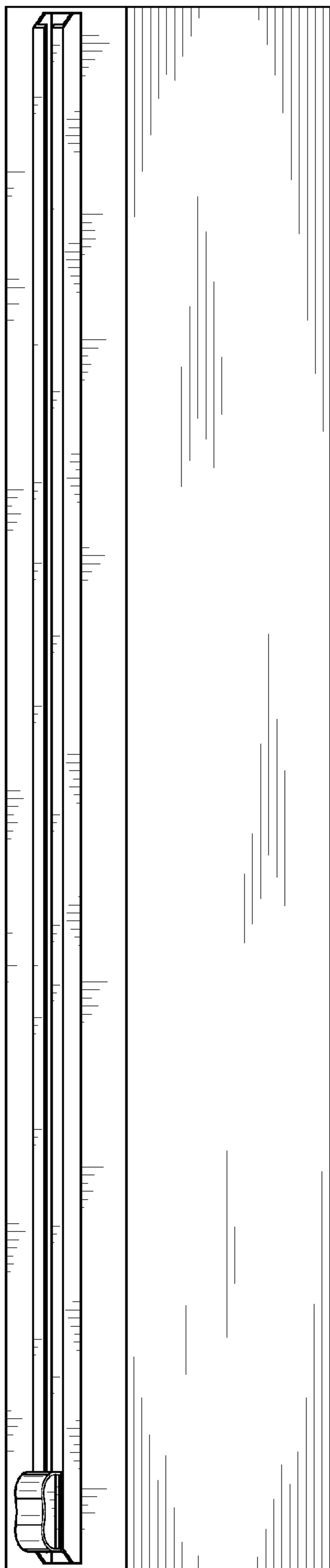


FIG. 4

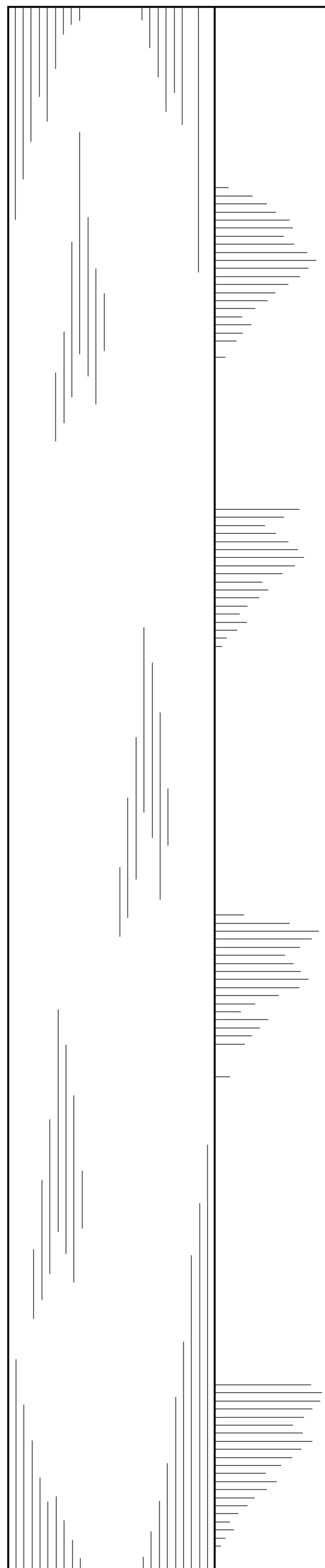


FIG. 5

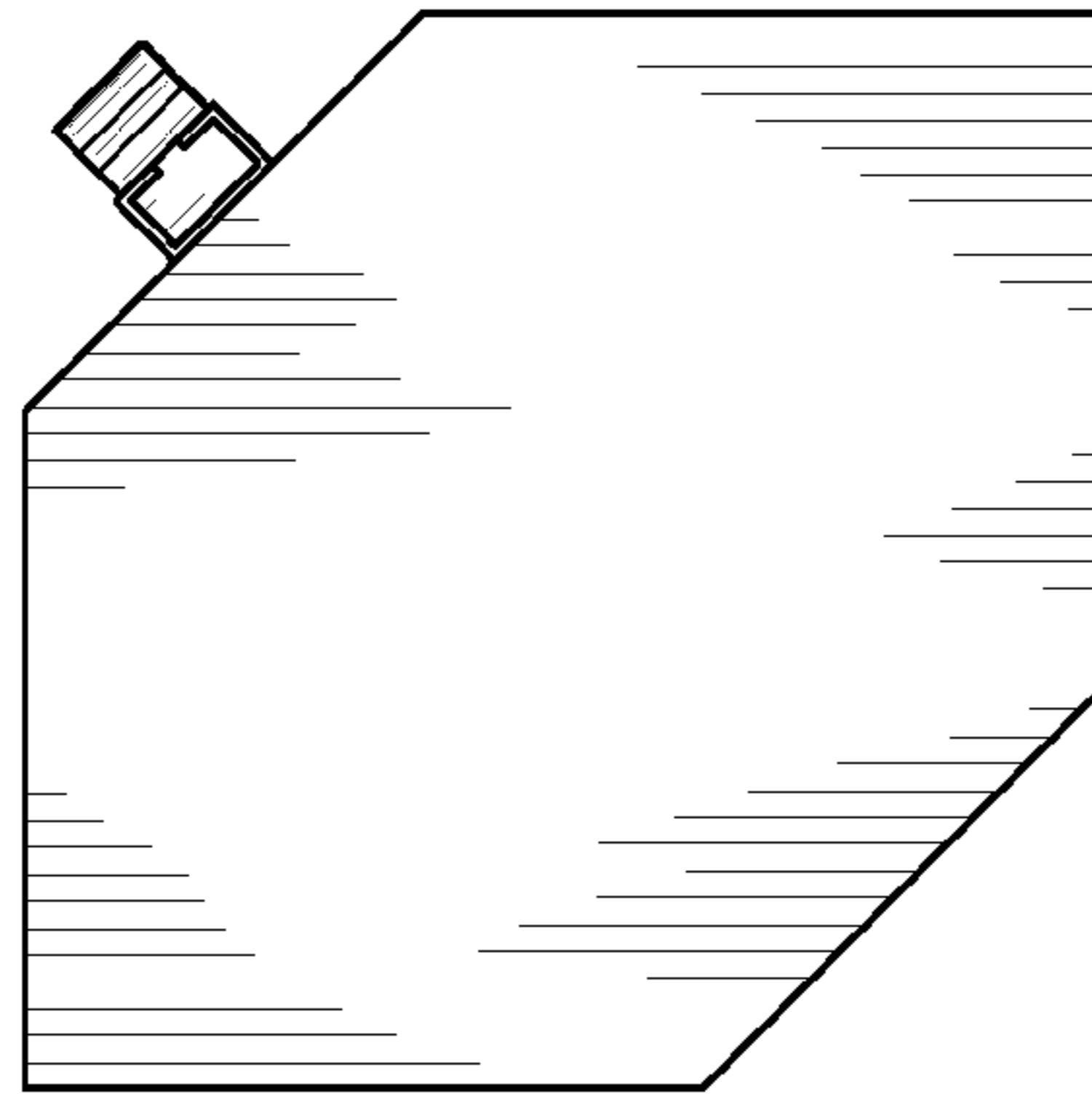


FIG. 6

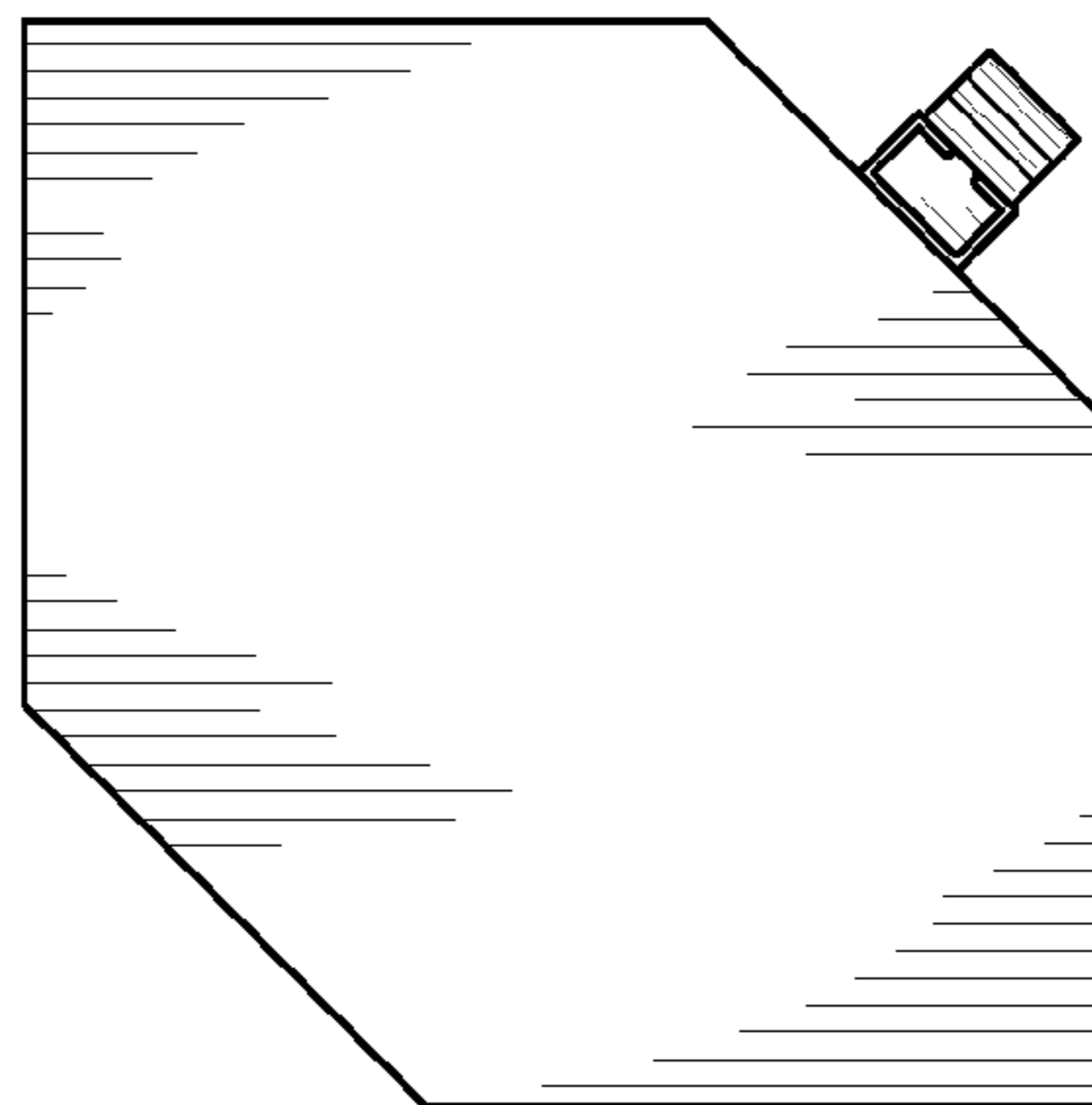


FIG. 7