



US00D700835S

(12) **United States Design Patent**  
**Langlois et al.**

(10) **Patent No.:** **US D700,835 S**  
(45) **Date of Patent:** **\*\* Mar. 11, 2014**

- (54) **CLAMP FOR HOSES OR PIPES**
- (76) Inventors: **Jean-Sebastien Langlois**, Quebec (CA);  
**Kent Davidson**, Calgary (CA)
- (\*\*) Term: **14 Years**
- (21) Appl. No.: **29/415,021**
- (22) Filed: **Mar. 6, 2012**
- (51) **LOC (10) Cl.** ..... **08-08**
- (52) **U.S. Cl.**  
USPC ..... **D8/396**
- (58) **Field of Classification Search**  
USPC ..... D8/354, 356, 371, 394-396; D19/65,  
D19/86; D24/128; 248/74.2, 215, 227.1, 49,  
248/300, 301, 316.7, 51, 489; 24/570, 3.12;  
D3/203.2, 203.3; D21/392  
See application file for complete search history.

(56) **References Cited**  
U.S. PATENT DOCUMENTS

D376,974	S	*	12/1996	Chen	.....	D8/396
5,653,481	A	*	8/1997	Alderman	.....	285/363
D411,440	S	*	6/1999	Stahel	.....	D8/396
6,056,332	A	*	5/2000	Foster	.....	285/367
D438,783	S	*	3/2001	Elliott	.....	D8/396
6,708,377	B2	*	3/2004	Maunder	.....	24/279

D536,607	S	*	2/2007	Bekkevold	.....	D8/396
D553,971	S	*	10/2007	Krueger	.....	D8/396
7,290,805	B2	*	11/2007	Wu	.....	285/365
D577,423	S	*	9/2008	Dole	.....	D23/265
D584,604	S	*	1/2009	Baldwin	.....	D8/396
D598,076	S	*	8/2009	Dole	.....	D23/262
D644,095	S	*	8/2011	Underwood et al.	.....	D8/396
8,196,971	B2	*	6/2012	Hansen	.....	285/367
D672,229	S	*	12/2012	Reid	.....	D8/396
2002/0109355	A1	*	8/2002	Elliott	.....	285/410
2005/0205722	A1	*	9/2005	Krueger	.....	248/62

\* cited by examiner

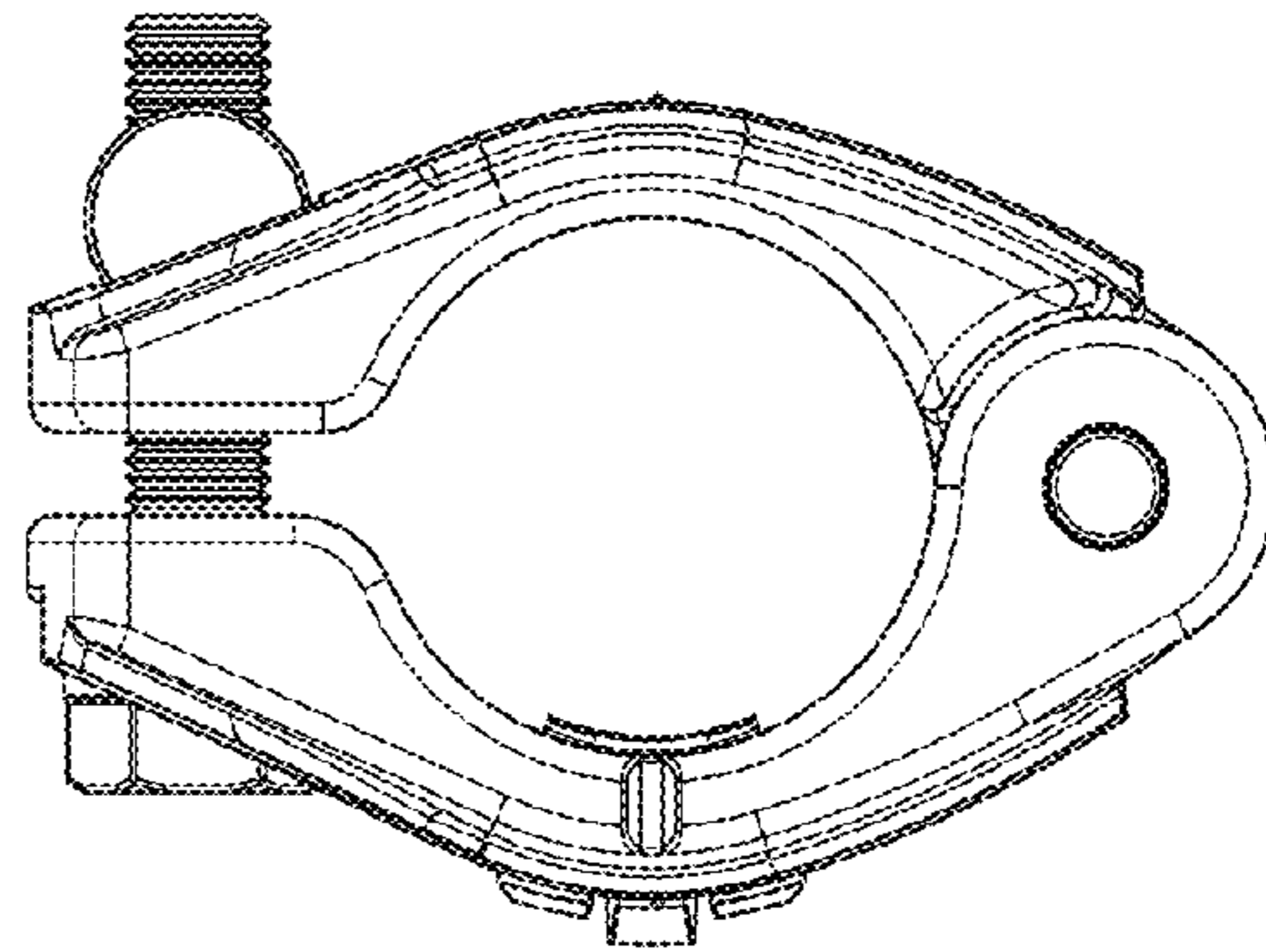
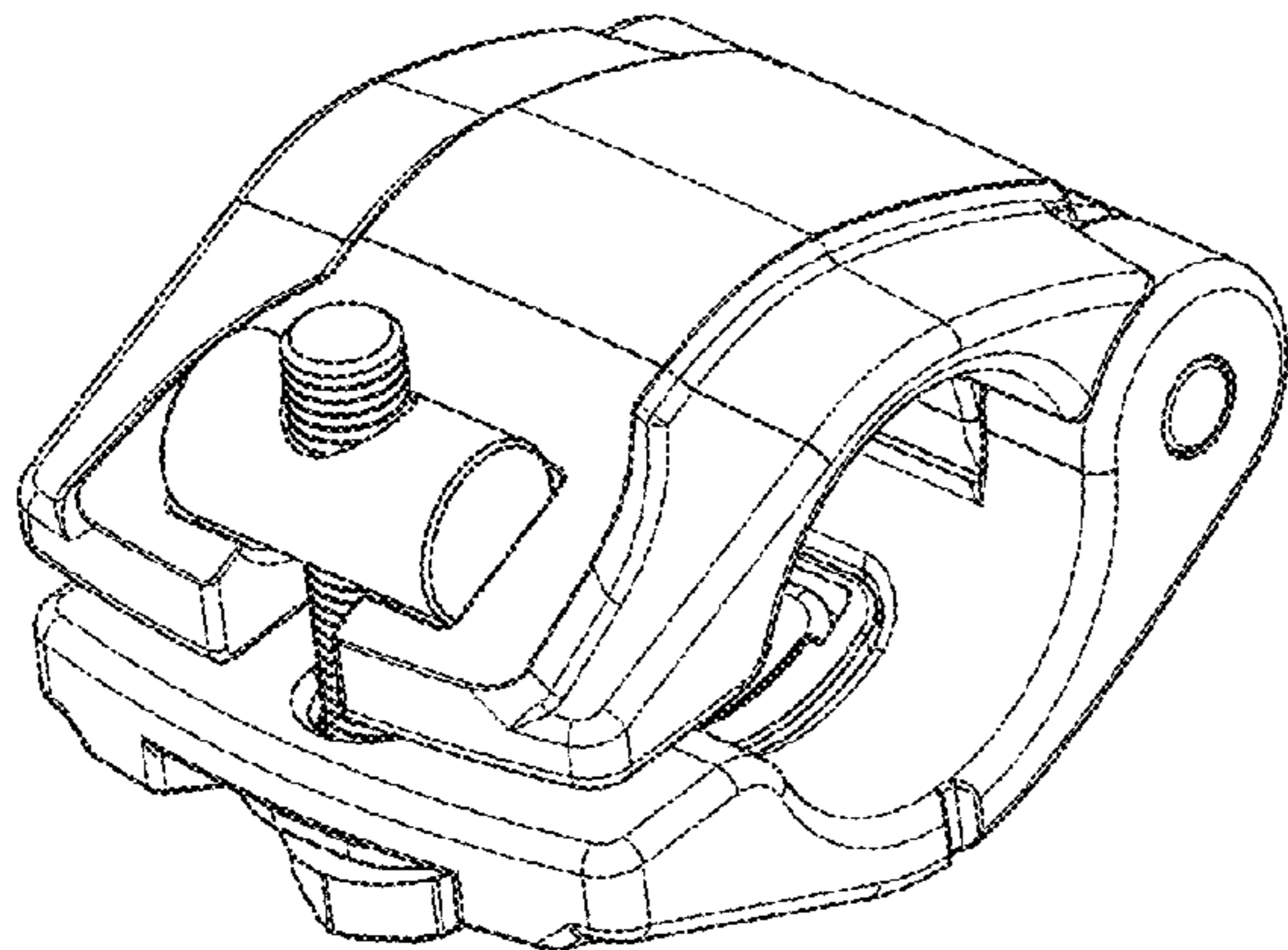
*Primary Examiner* — John Windmuller

(57) **CLAIM**  
The ornamental design for a clamp for hoses or pipes, as shown and described.

**DESCRIPTION**

FIG. 1 is a perspective view of the top of the clamp for hoses or pipes showing our new design;  
FIG. 2 is a perspective view of the bottom thereof;  
FIG. 3 is a right side view thereof;  
FIG. 4 is a left side view thereof;  
FIG. 5 is a bottom plan view thereof;  
FIG. 6 is a front elevation view thereof; and,  
FIG. 7 is a rear elevation view thereof.

**1 Claim, 2 Drawing Sheets**



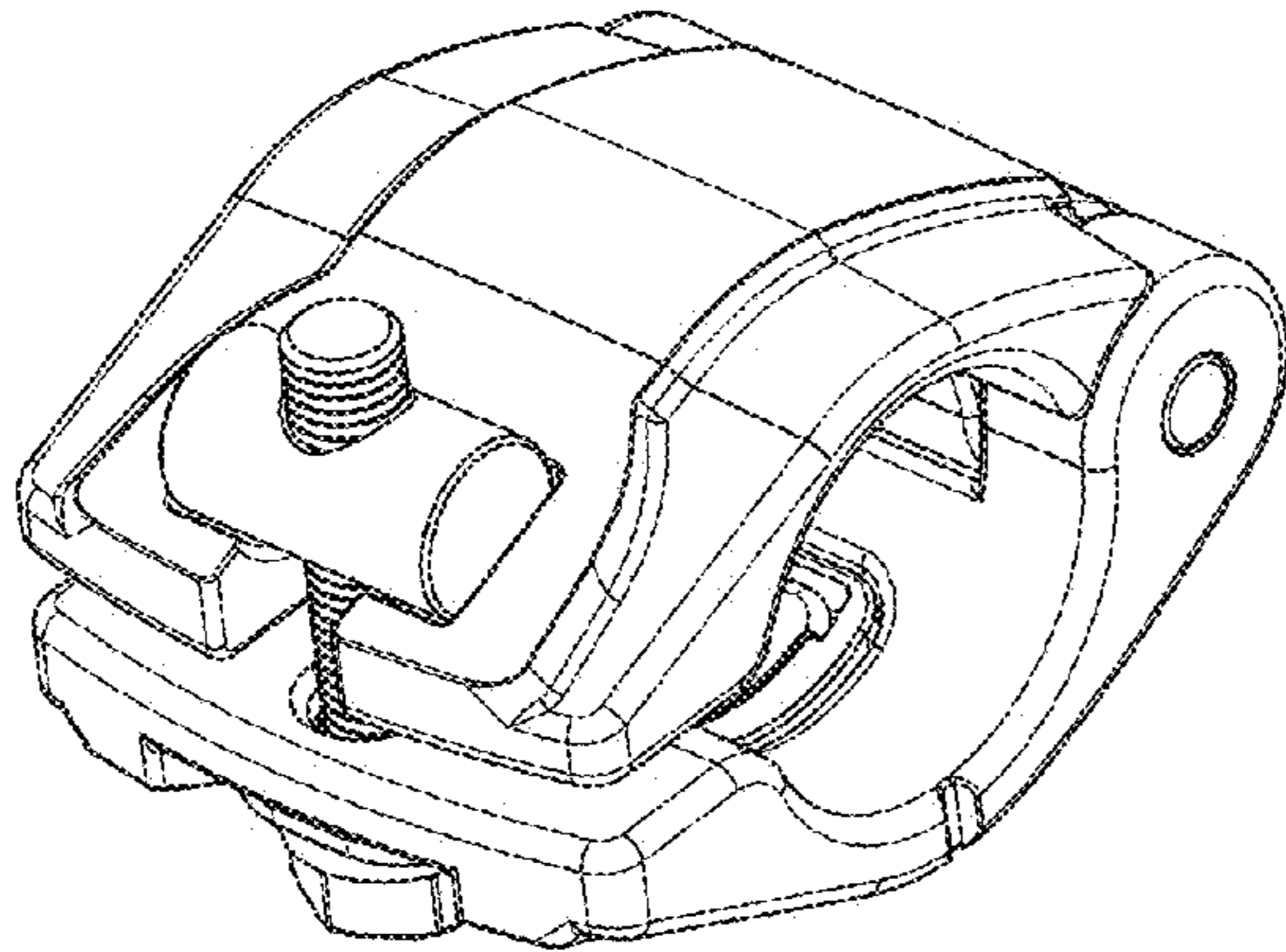


FIG. 1

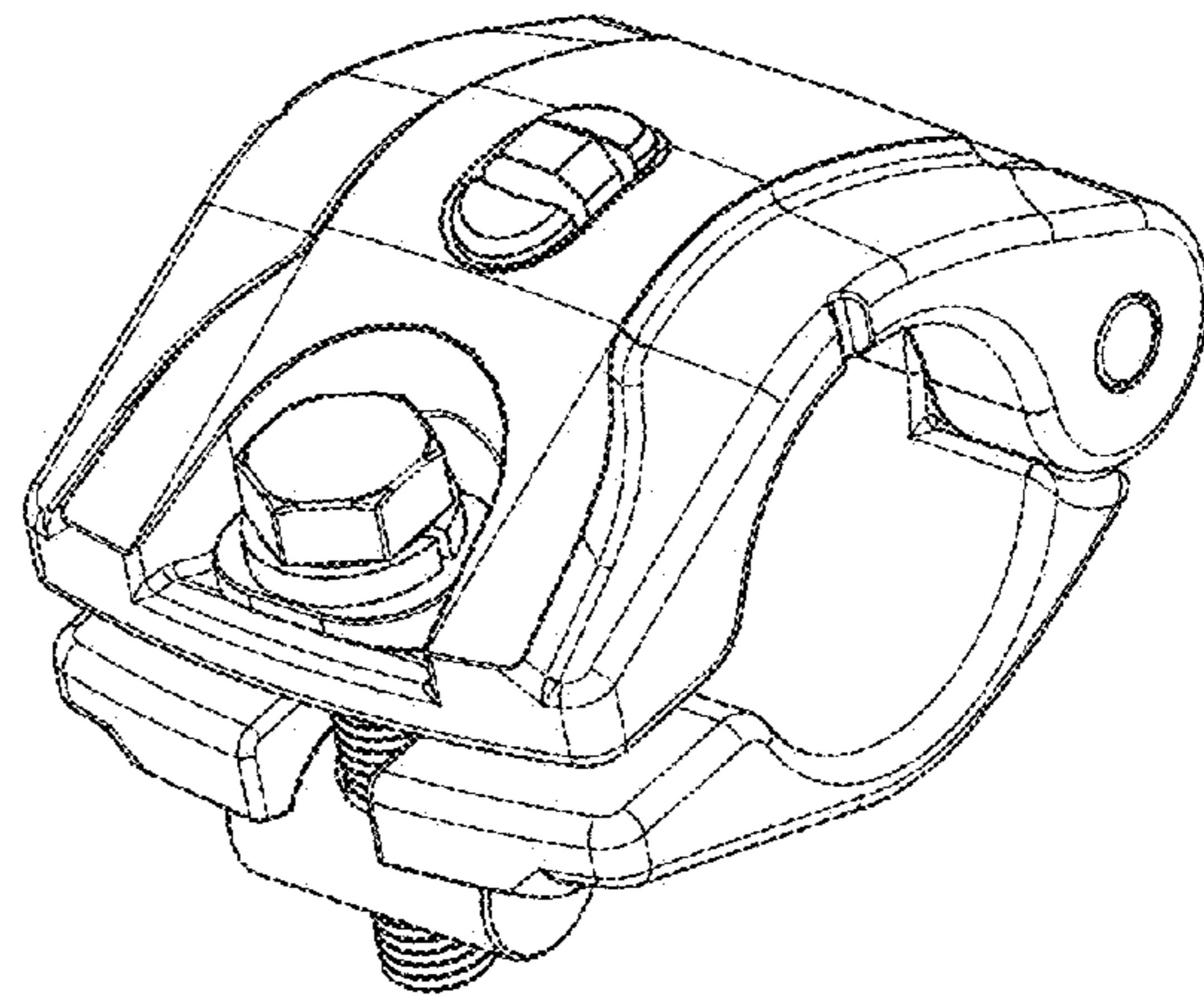


FIG. 2

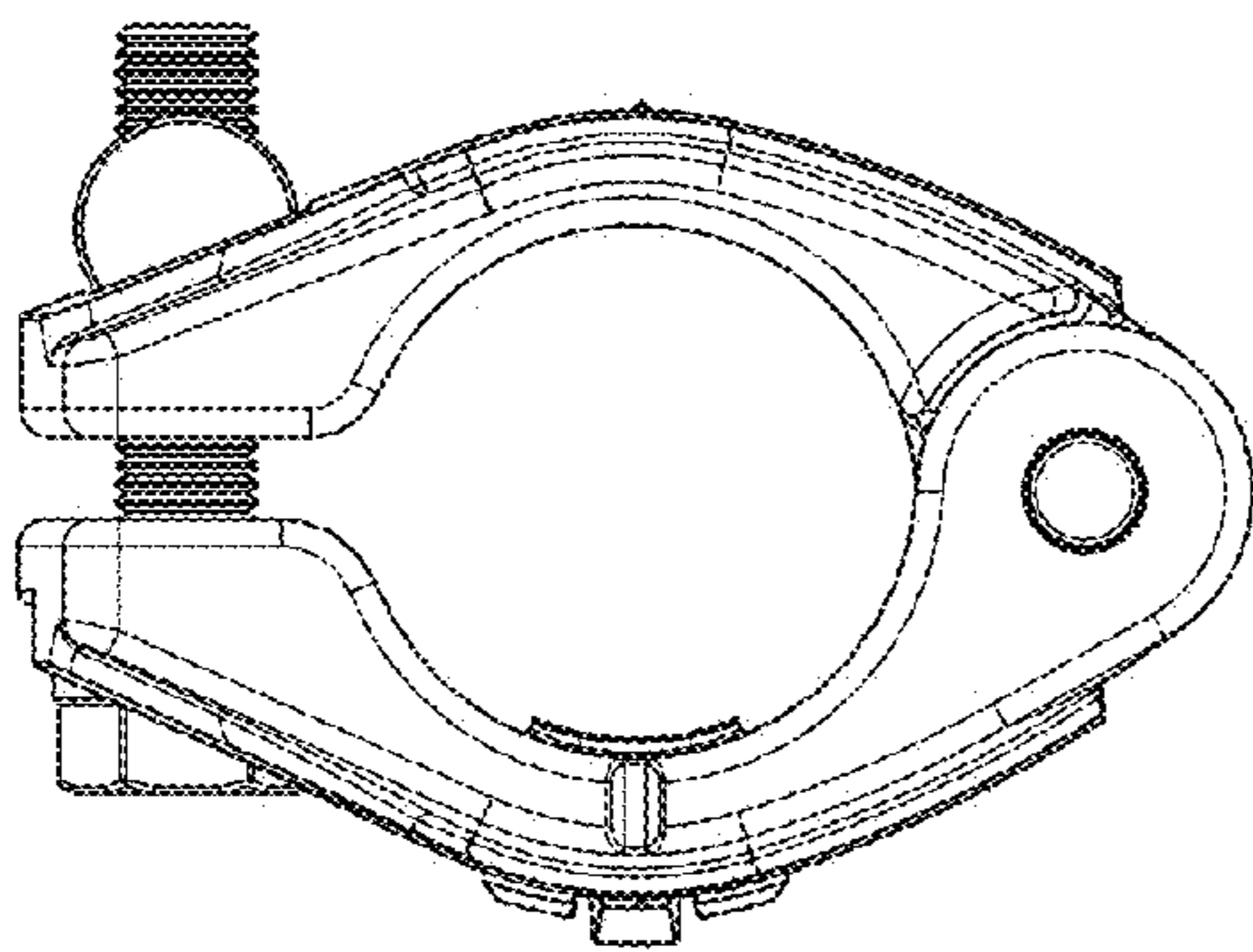


FIG. 3

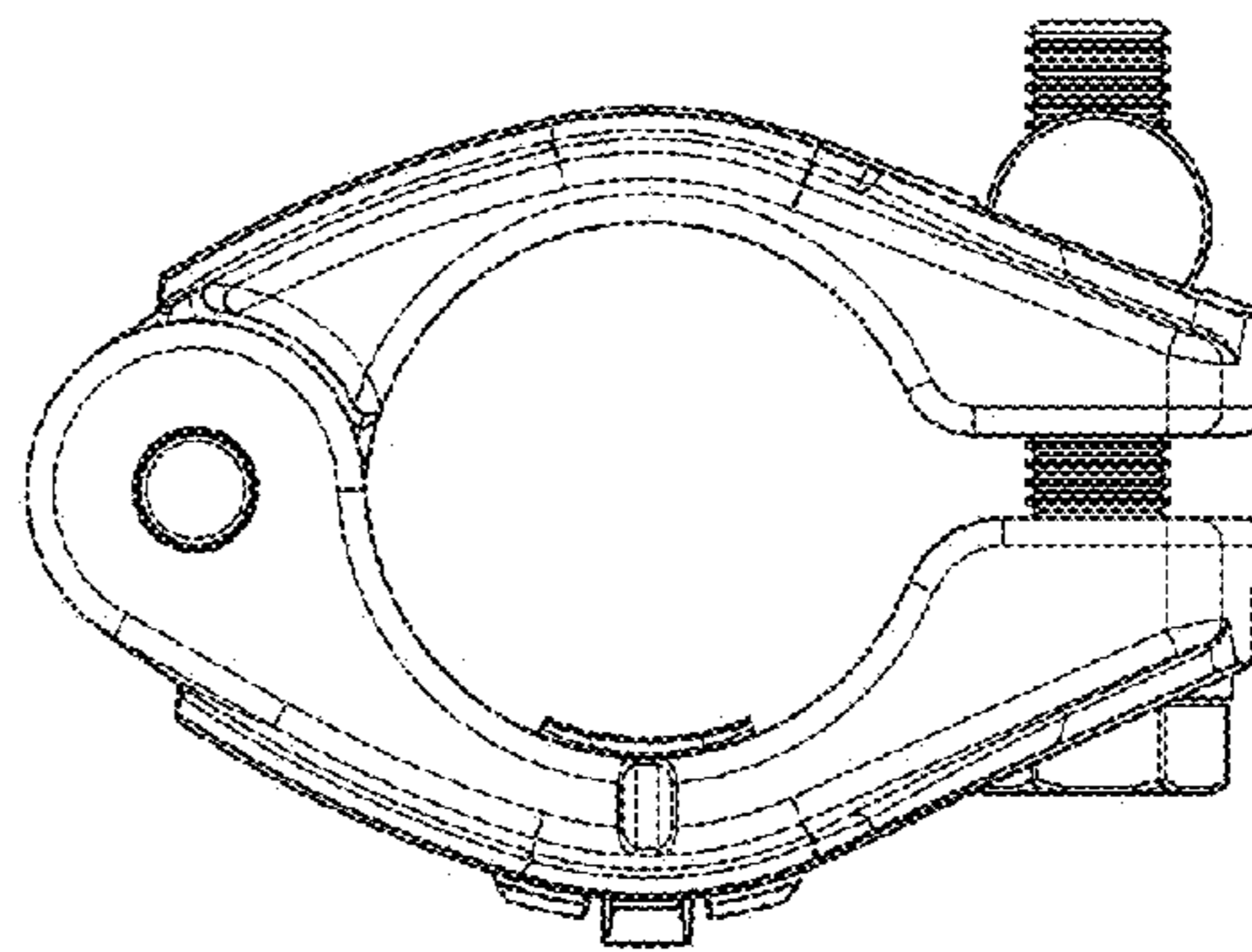


FIG. 4

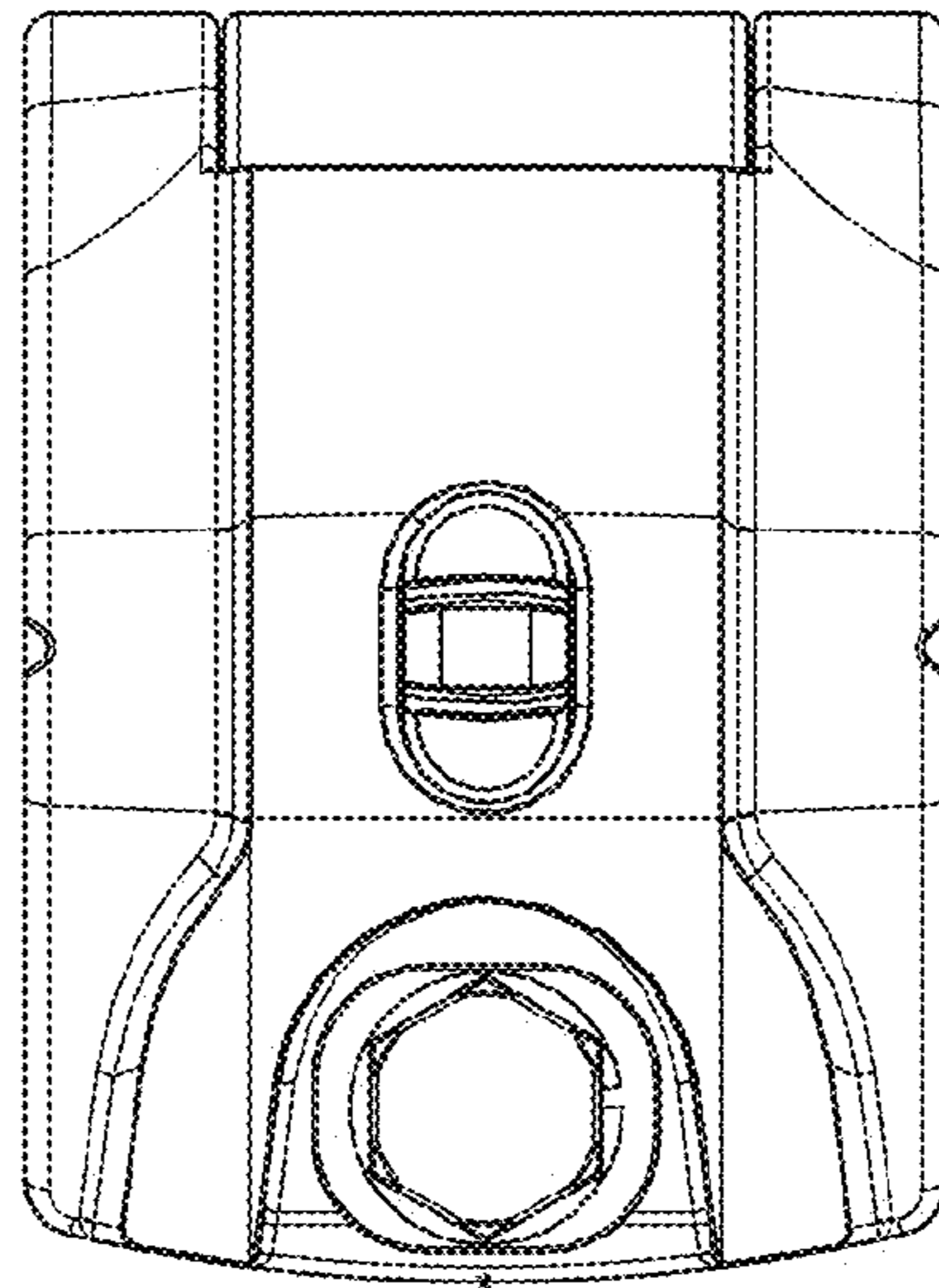


FIG. 5

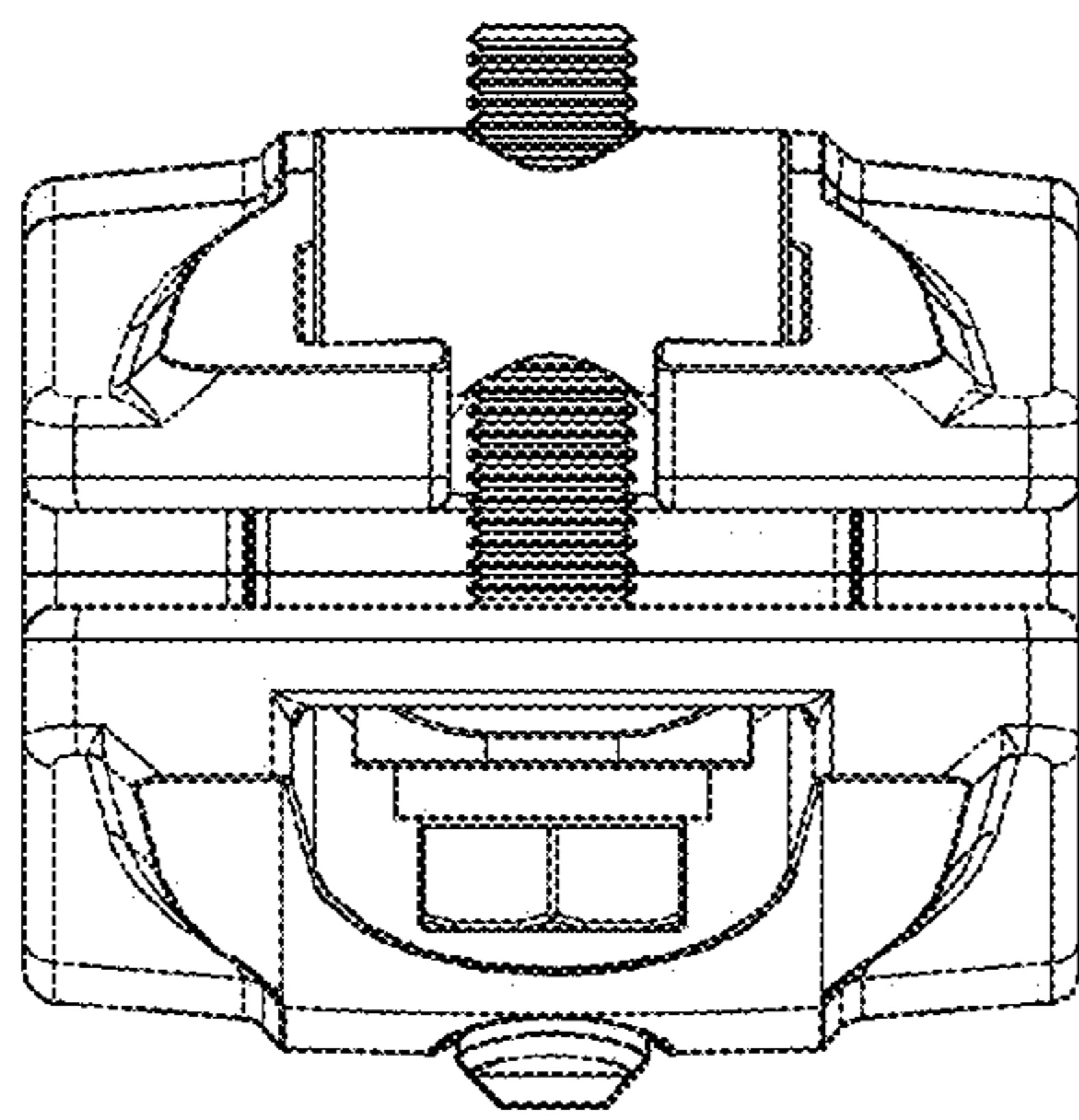


FIG. 6

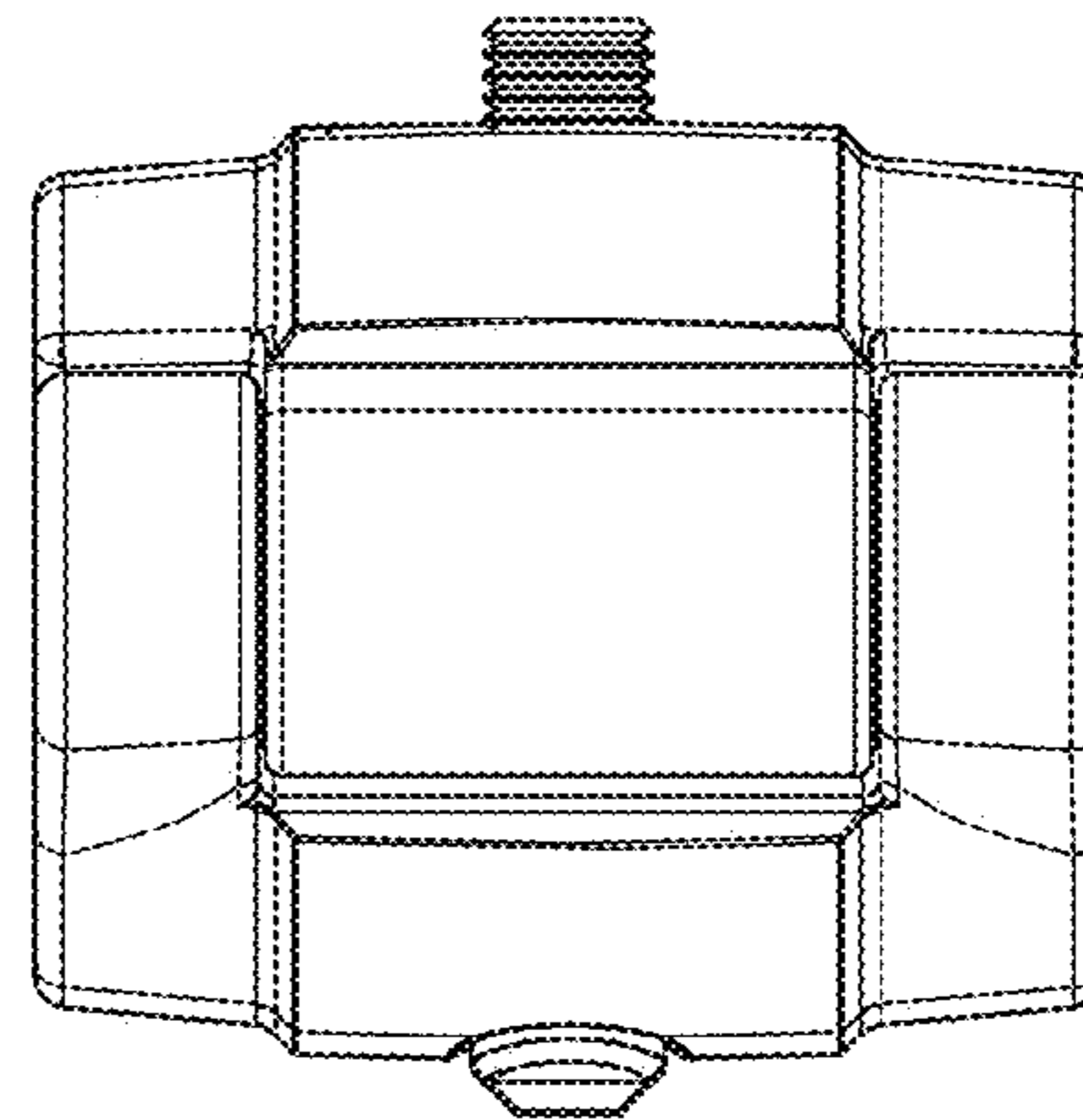


FIG. 7