



US00D700834S

(12) **United States Design Patent**
Fievet

(10) **Patent No.:** **US D700,834 S**
(45) **Date of Patent:** **** Mar. 11, 2014**

(54) **FASTENER**
(75) **Inventor:** **Frédéric Fievet**, Gruffy (FR)
(73) **Assignee:** **SB Ingenierie**, Poisy (FR)
(**) **Term:** **14 Years**
(21) **Appl. No.:** **29/418,148**
(22) **Filed:** **Apr. 12, 2012**

D483,657 S *	12/2003	Kim	D8/382
D560,470 S *	1/2008	Short et al.	D8/354
D570,202 S *	6/2008	Katoh	D8/382
D579,319 S *	10/2008	Short	D8/354
7,589,972 B2 *	9/2009	Ma et al.	361/719
D611,332 S *	3/2010	Tedesco et al.	D8/380
D628,047 S *	11/2010	Craig	D8/354
D637,593 S *	5/2011	Zanetti	D14/253
D658,040 S *	4/2012	Ghatikar et al.	D8/354
D670,791 S *	11/2012	Fievet	D23/245
D674,803 S *	1/2013	Westrup	D14/440

* cited by examiner

(30) **Foreign Application Priority Data**

Oct. 13, 2011 (EM) 001931502-0001

(51) **LOC (10) Cl.** **08-08**

(52) **U.S. Cl.**
USPC **D8/382**

(58) **Field of Classification Search**
USPC D8/349, 354, 356, 382; 248/200, 300
See application file for complete search history.

(56) **References Cited**

U.S. PATENT DOCUMENTS

D316,511 S *	4/1991	White, Jr.	D8/373
D357,175 S *	4/1995	Godfrey	D8/382
D397,289 S *	8/1998	Maddux	D8/382

Primary Examiner — Sheryl Lane
(74) *Attorney, Agent, or Firm* — Oliff PLC

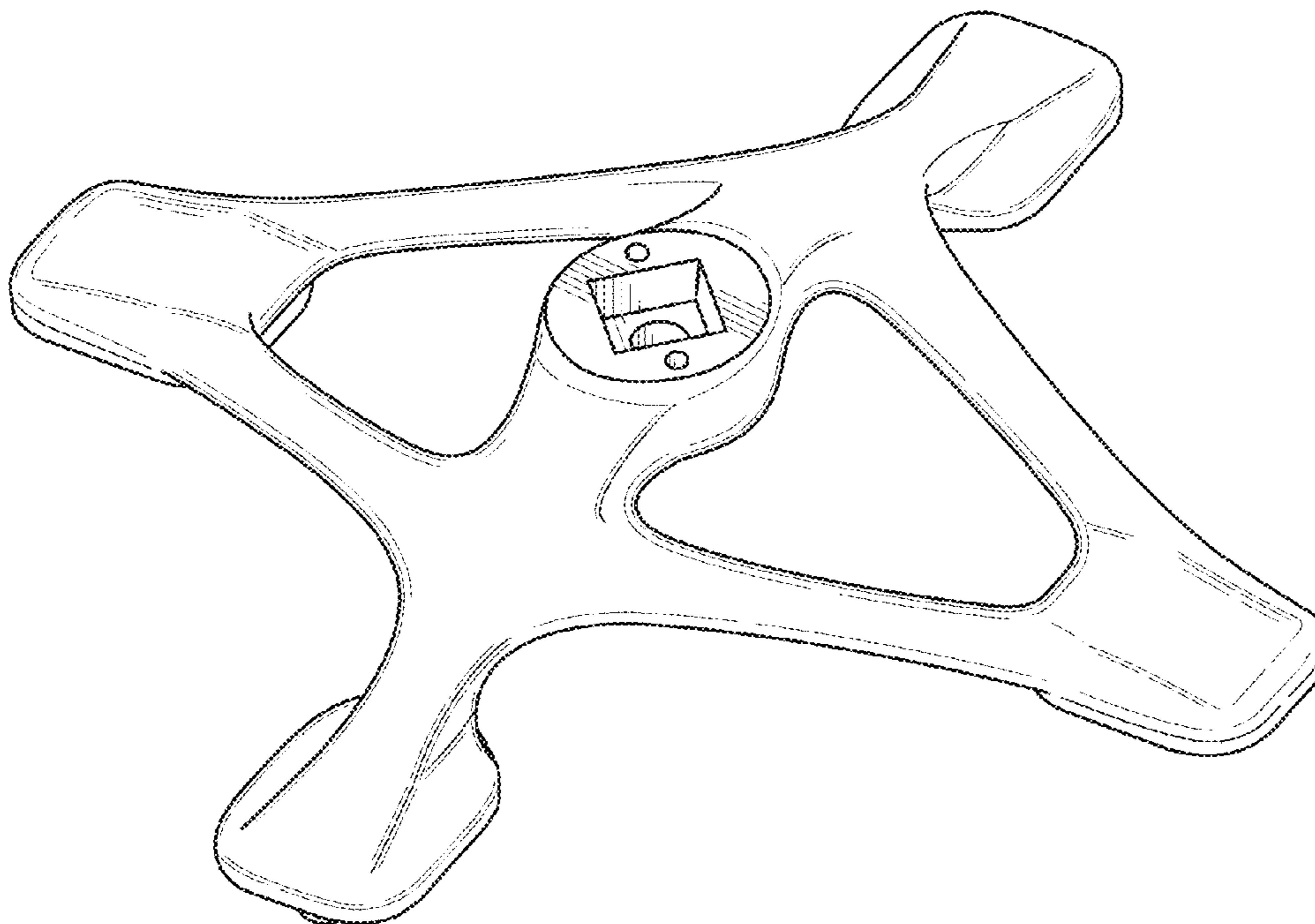
(57) **CLAIM**

The ornamental design for a fastener, as shown and described.

DESCRIPTION

FIG. 1 is a top, front, right-side perspective view of a fastener; FIG. 2 is a bottom, front, right-side perspective view thereof; FIG. 3 is a front view thereof, the rear view being a mirror image of the front view; FIG. 4 is a top view thereof; FIG. 5 is a right-side view thereof, the left-side view being a mirror image of the right-side view; and, FIG. 6 is a bottom view thereof.

1 Claim, 3 Drawing Sheets



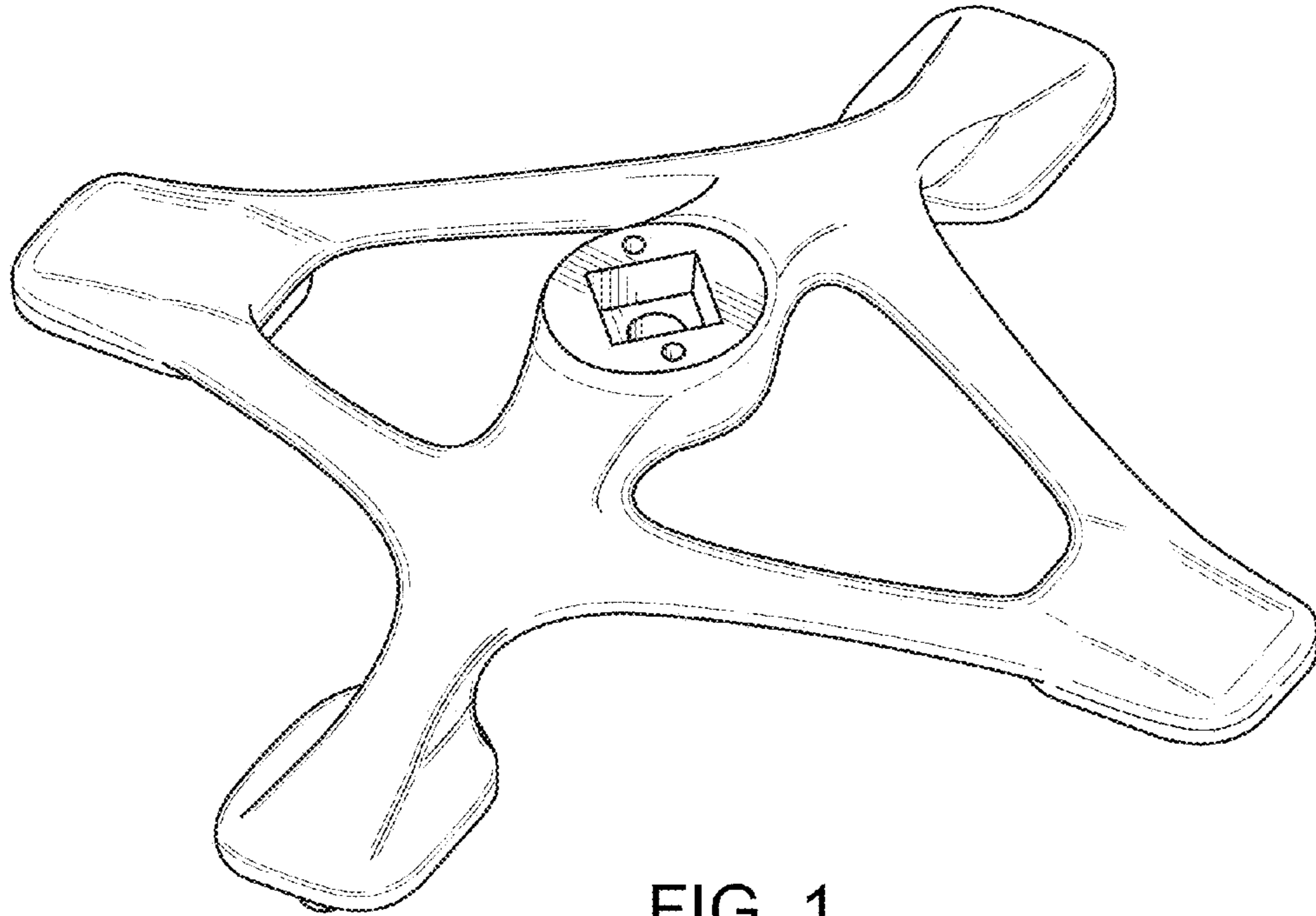


FIG. 1

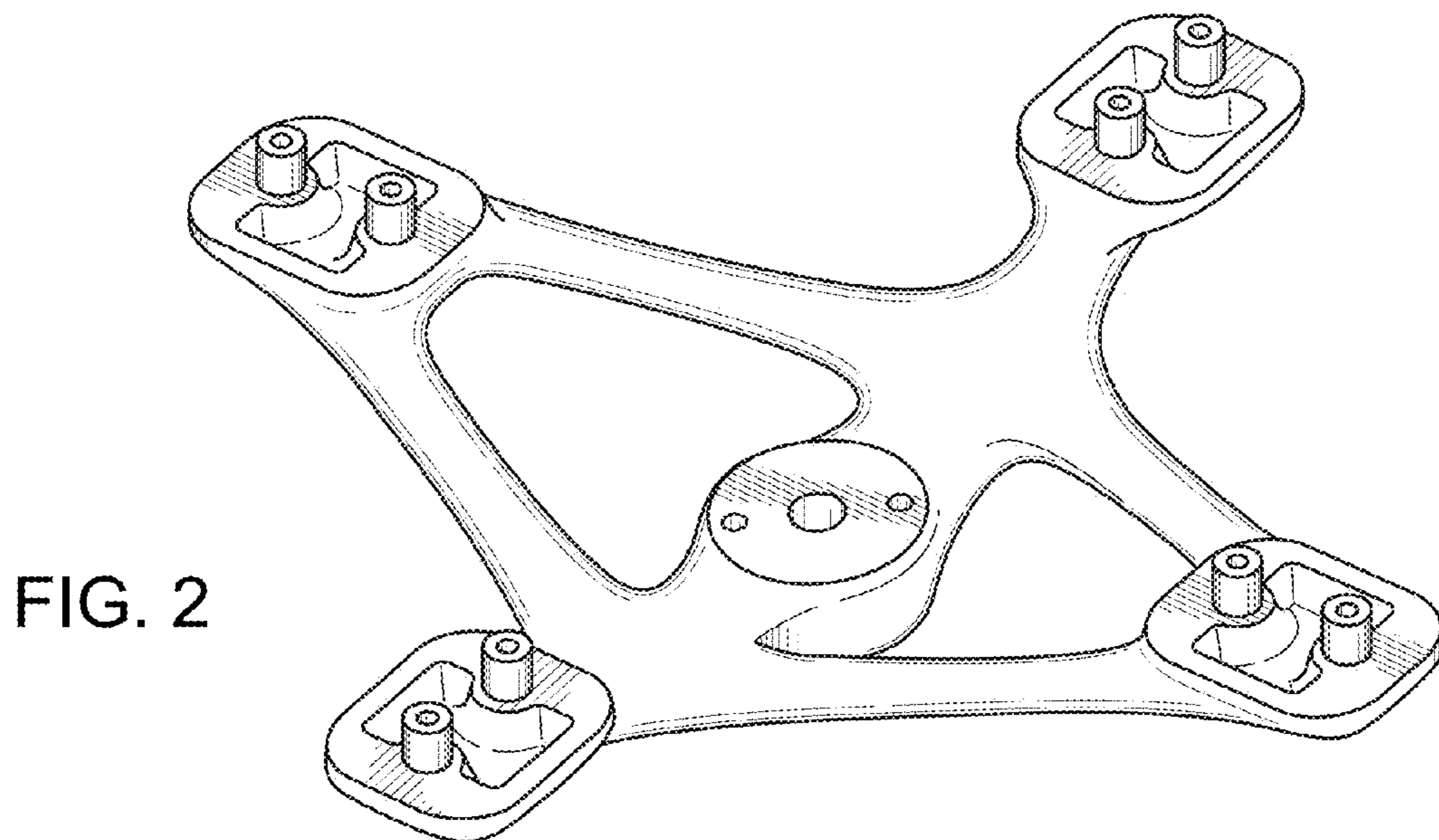


FIG. 2

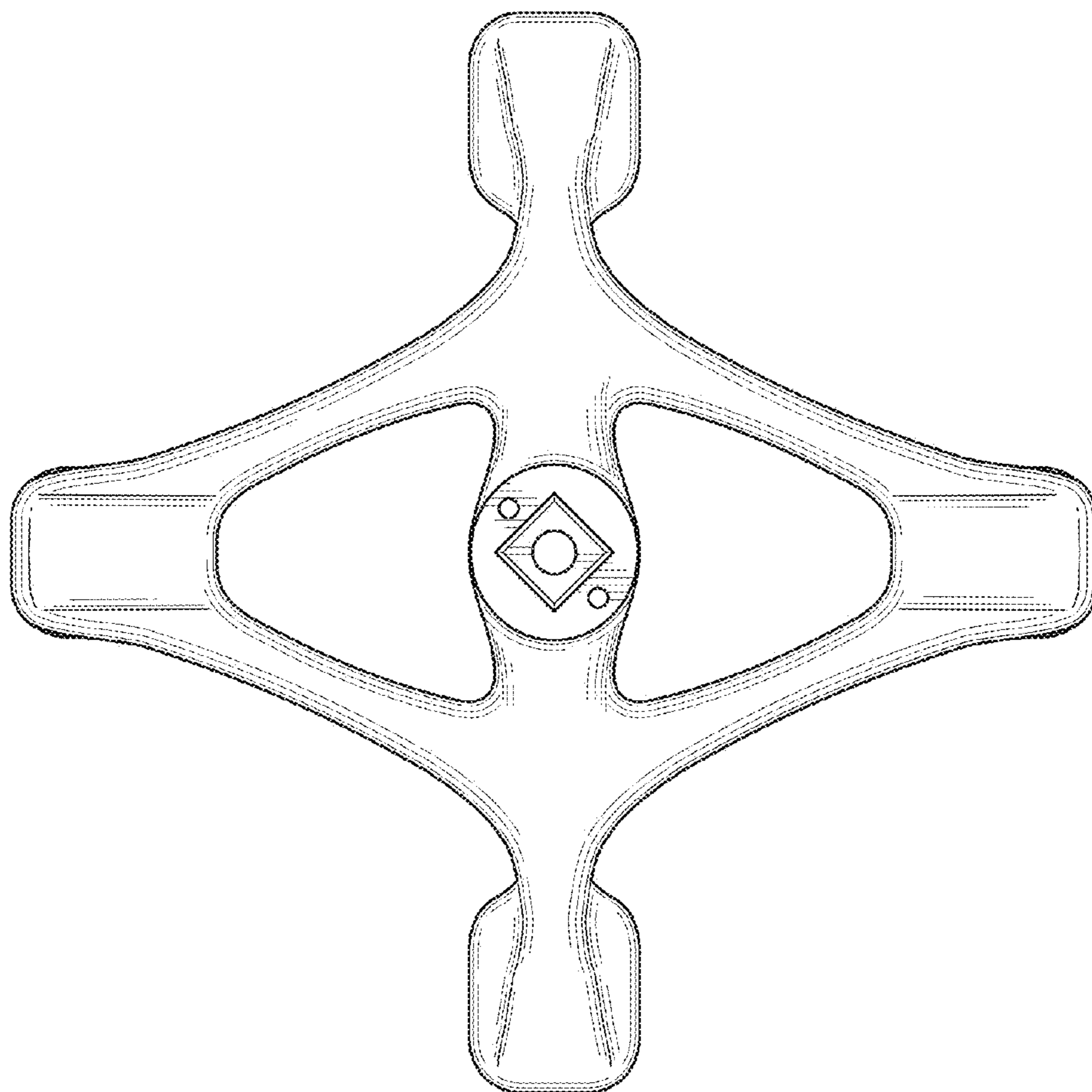


FIG. 4

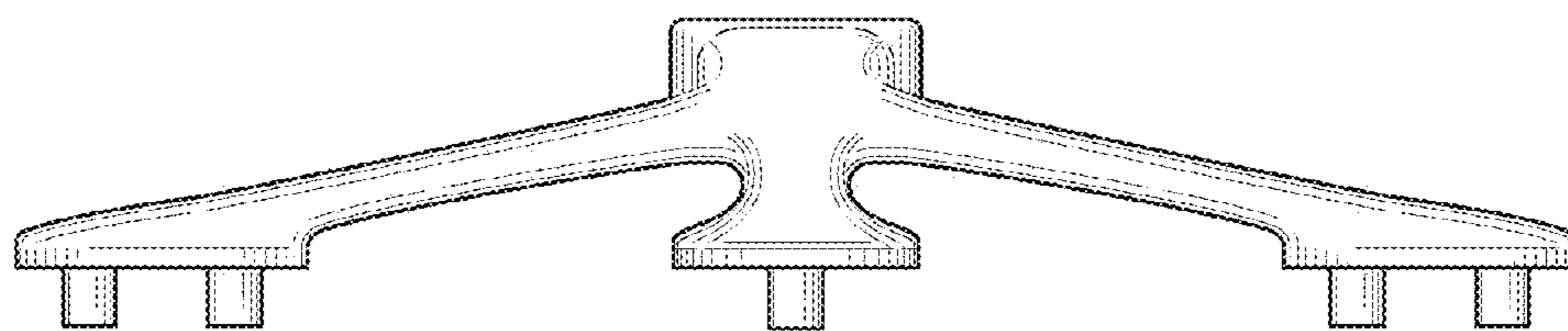


FIG. 3

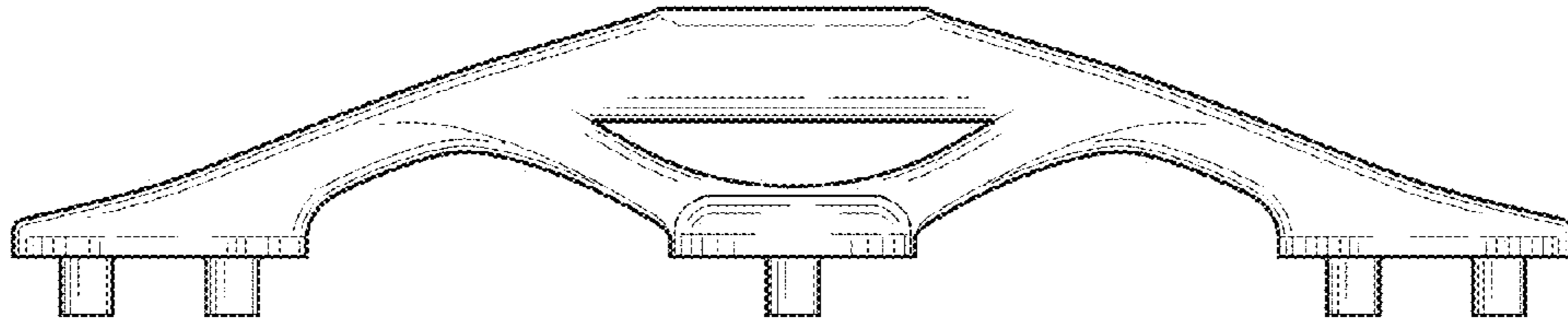


FIG. 5

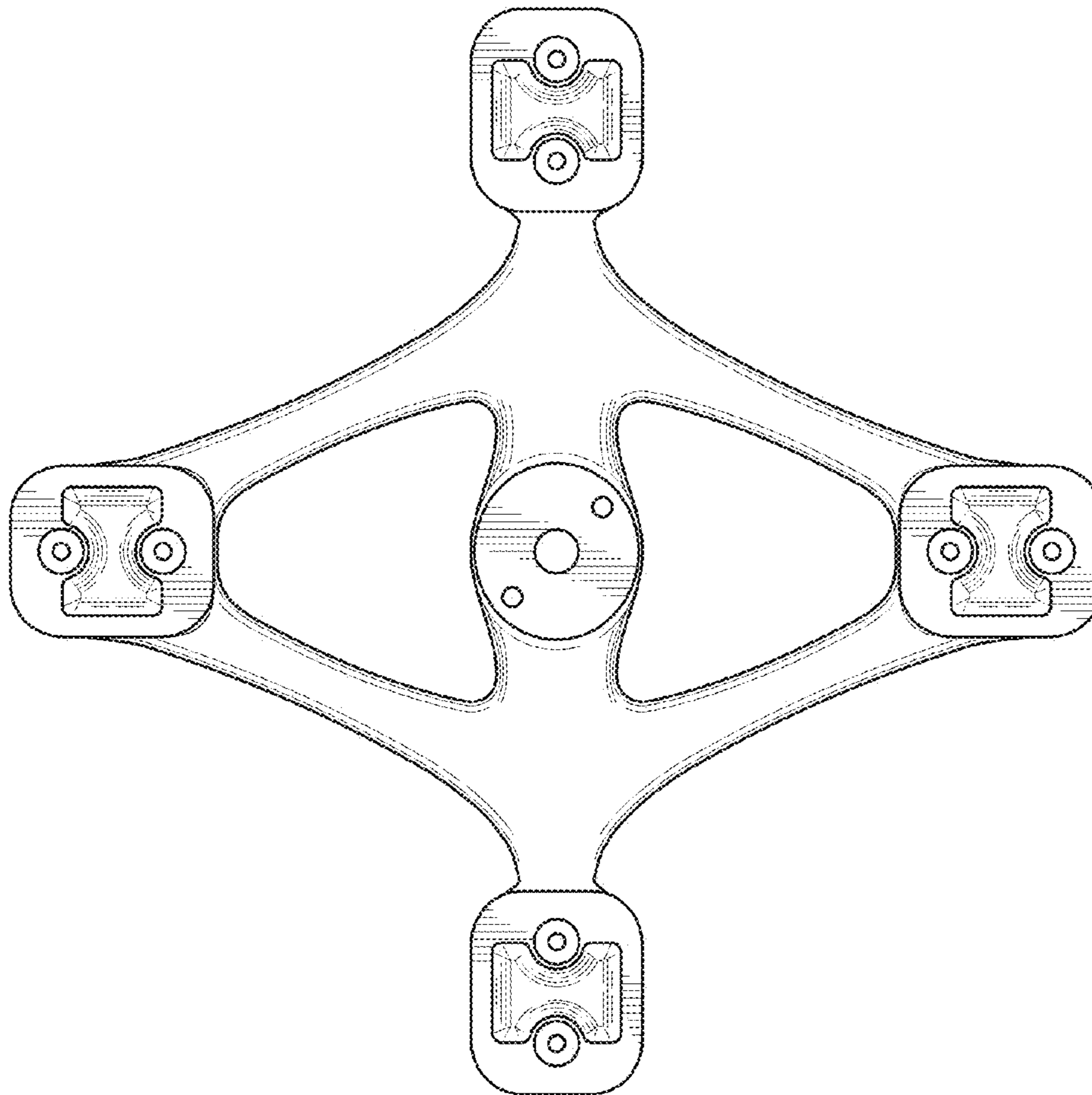


FIG. 6