



US00D700831S

(12) **United States Design Patent**
Ng et al.

(10) **Patent No.:** **US D700,831 S**
(45) **Date of Patent:** **** Mar. 11, 2014**

(54) **ROLLER SHADE CLUTCH BRACKET**

(71) Applicants: **Philip Ng**, Thornhill (CA); **Norman Wills**, Mississauga (CA)

(72) Inventors: **Philip Ng**, Thornhill (CA); **Norman Wills**, Mississauga (CA)

(**) Term: **14 Years**

(21) Appl. No.: **29/465,659**

(22) Filed: **Aug. 30, 2013**

(30) **Foreign Application Priority Data**

May 17, 2013 (CA) 151184

(51) **LOC (10) Cl.** **08-05**

(52) **U.S. Cl.**
USPC **D8/380**

(58) **Field of Classification Search**
USPC D8/380, 381, 356, 354, 349; 160/323.1,
160/321; 248/267-268; 192/223.4
See application file for complete search history.

(56) **References Cited**

U.S. PATENT DOCUMENTS

D331,186 S * 11/1992 Sachs D8/380
D387,970 S * 12/1997 Enslin D8/349
6,935,401 B2 * 8/2005 Fraczek et al. 160/321

D542,628 S * 5/2007 Brassard D8/354
D557,117 S * 12/2007 Cannaverde D8/354
D559,083 S * 1/2008 Brassard D8/354
D567,631 S * 4/2008 Brassard D8/349
D596,018 S * 7/2009 Lisowski D8/380
D596,020 S * 7/2009 Lisowski D8/380
D667,288 S * 9/2012 Preda D8/354
D667,289 S * 9/2012 Preda D8/354
D671,816 S * 12/2012 Stone D8/349

* cited by examiner

Primary Examiner — Robert M Spear

Assistant Examiner — Eliza Bennett-Hattan

(74) *Attorney, Agent, or Firm* — Honigman Miller Schwartz
and Cohn LLP

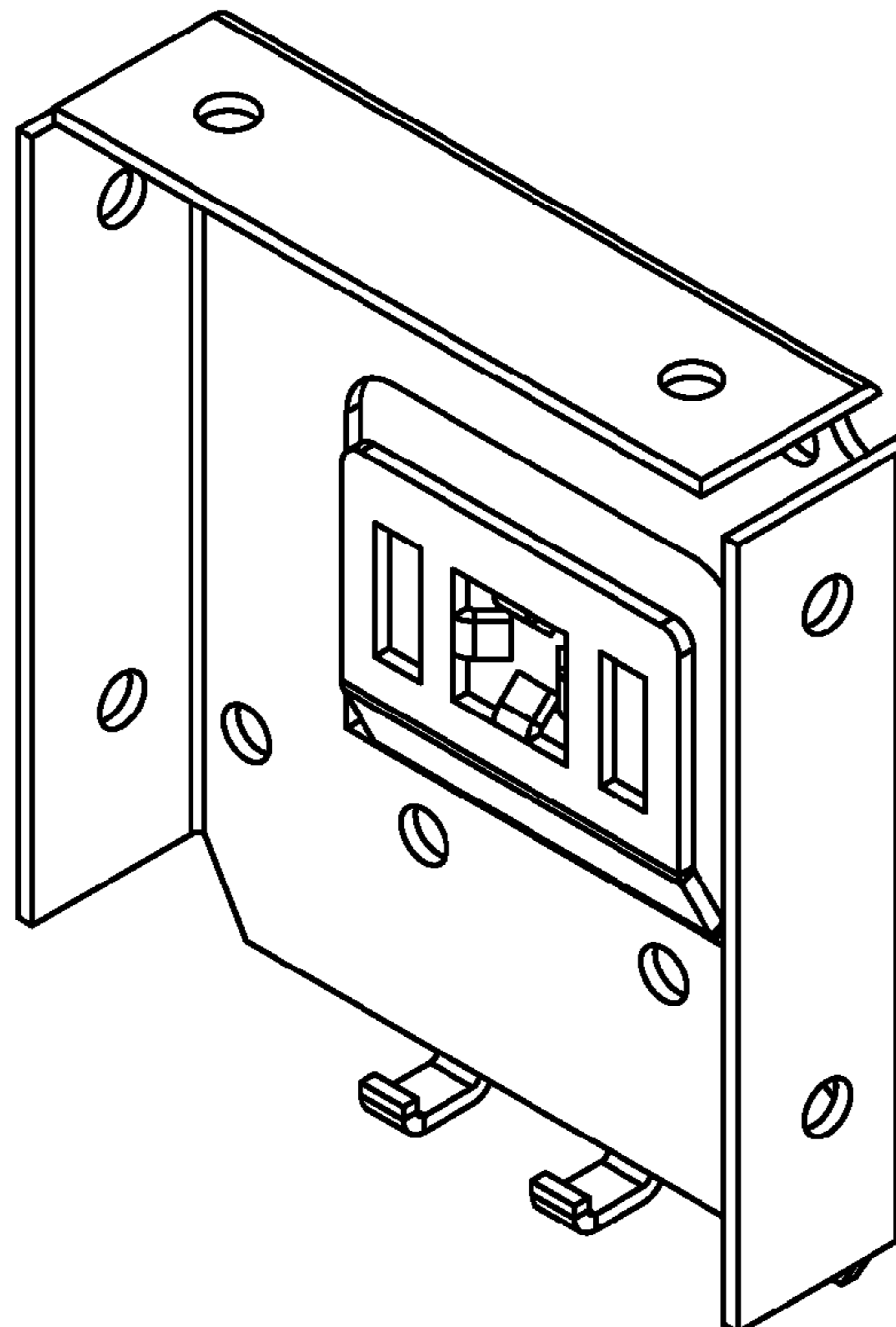
(57) **CLAIM**

The ornamental design for a roller shade clutch bracket, as shown and described.

DESCRIPTION

FIG. 1 is an upper front perspective view of the roller shade clutch bracket;
FIG. 2 is a front view of the roller shade clutch bracket;
FIG. 3 is a rear view of the roller shade clutch bracket;
FIG. 4 is a left side view of the roller shade clutch bracket;
FIG. 5 is a right side view of the roller shade clutch bracket;
FIG. 6 is a top view of the roller shade clutch bracket; and,
FIG. 7 is a bottom view of the roller shade clutch bracket.

1 Claim, 7 Drawing Sheets



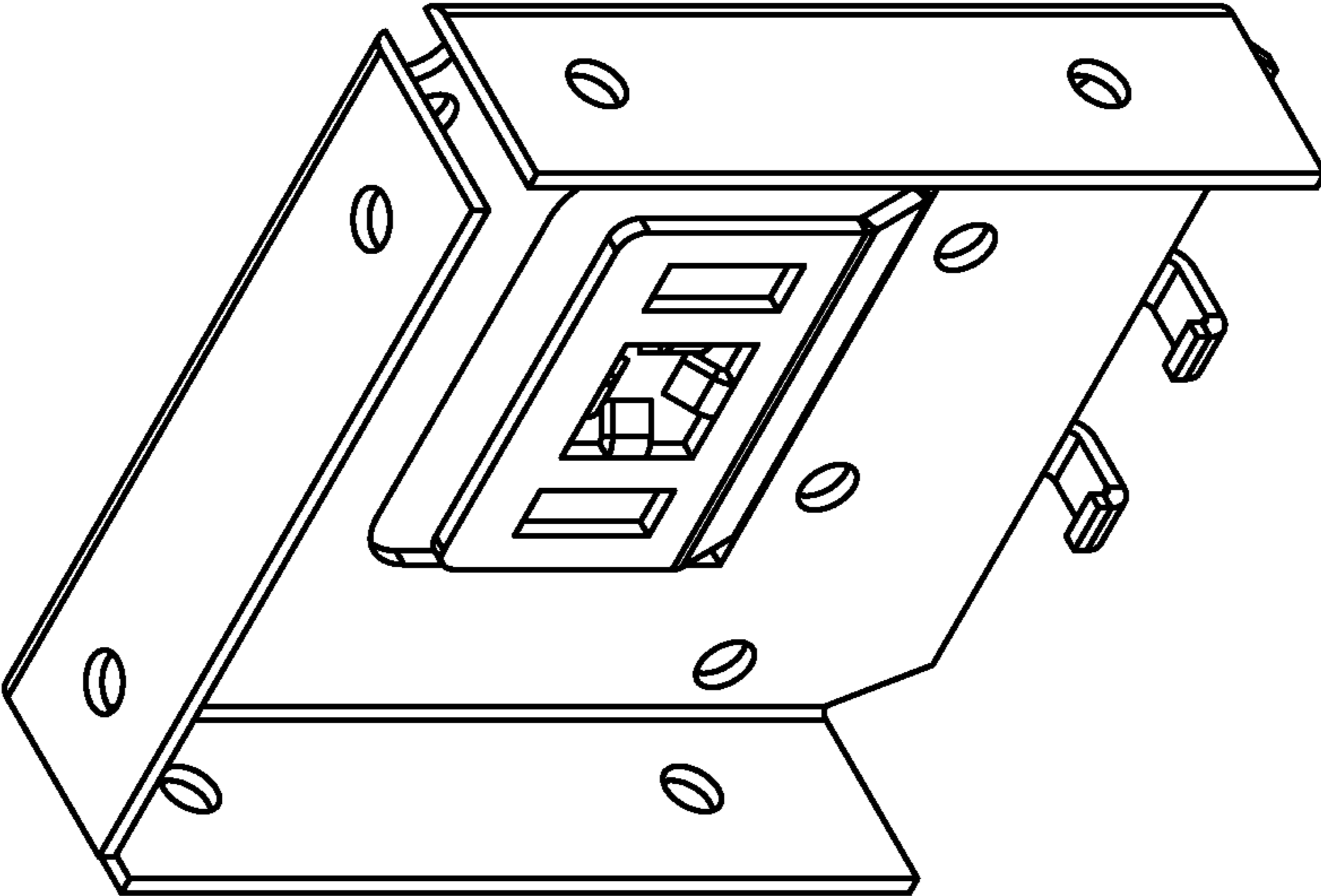


Fig. 1

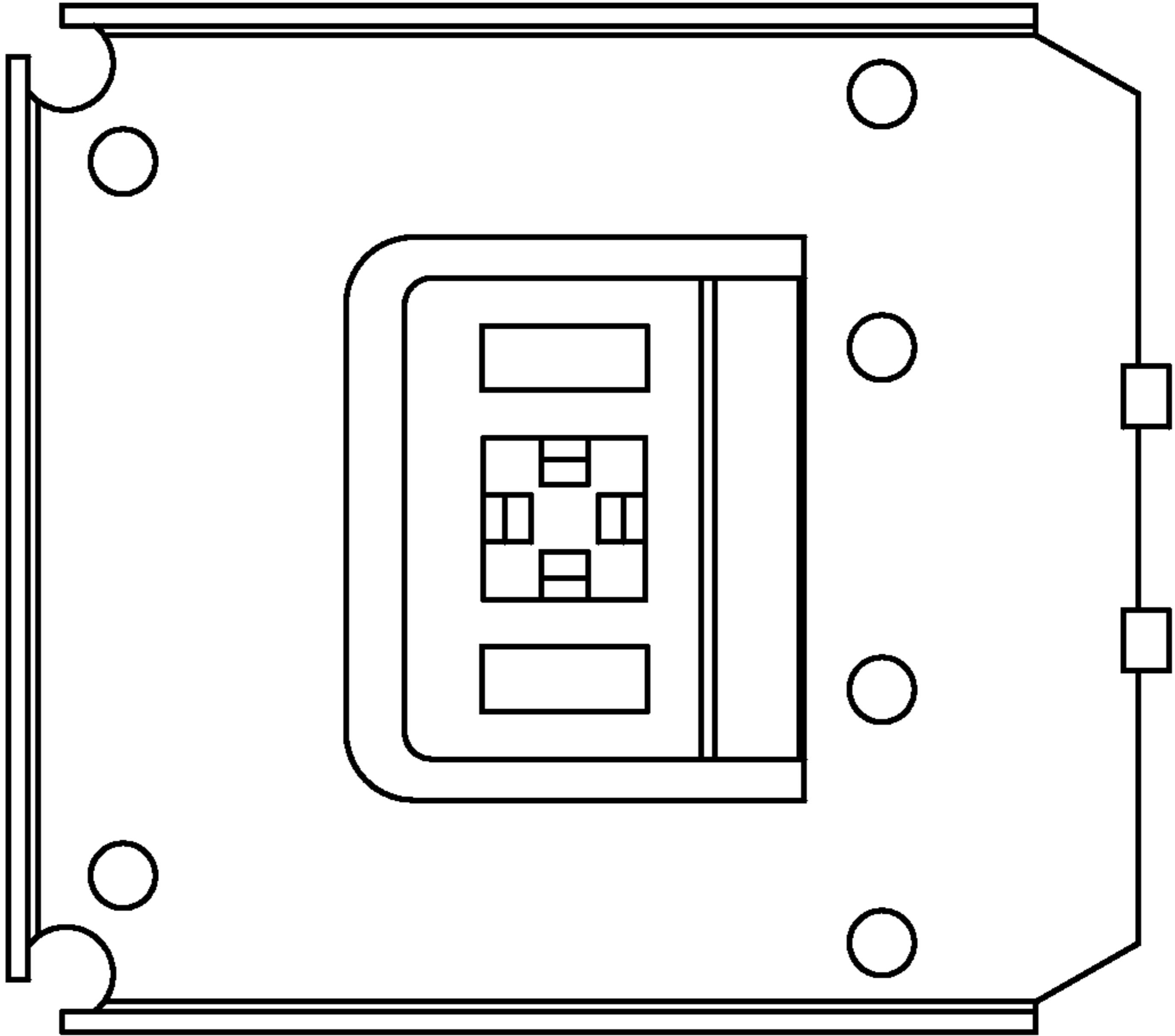


Fig. 2

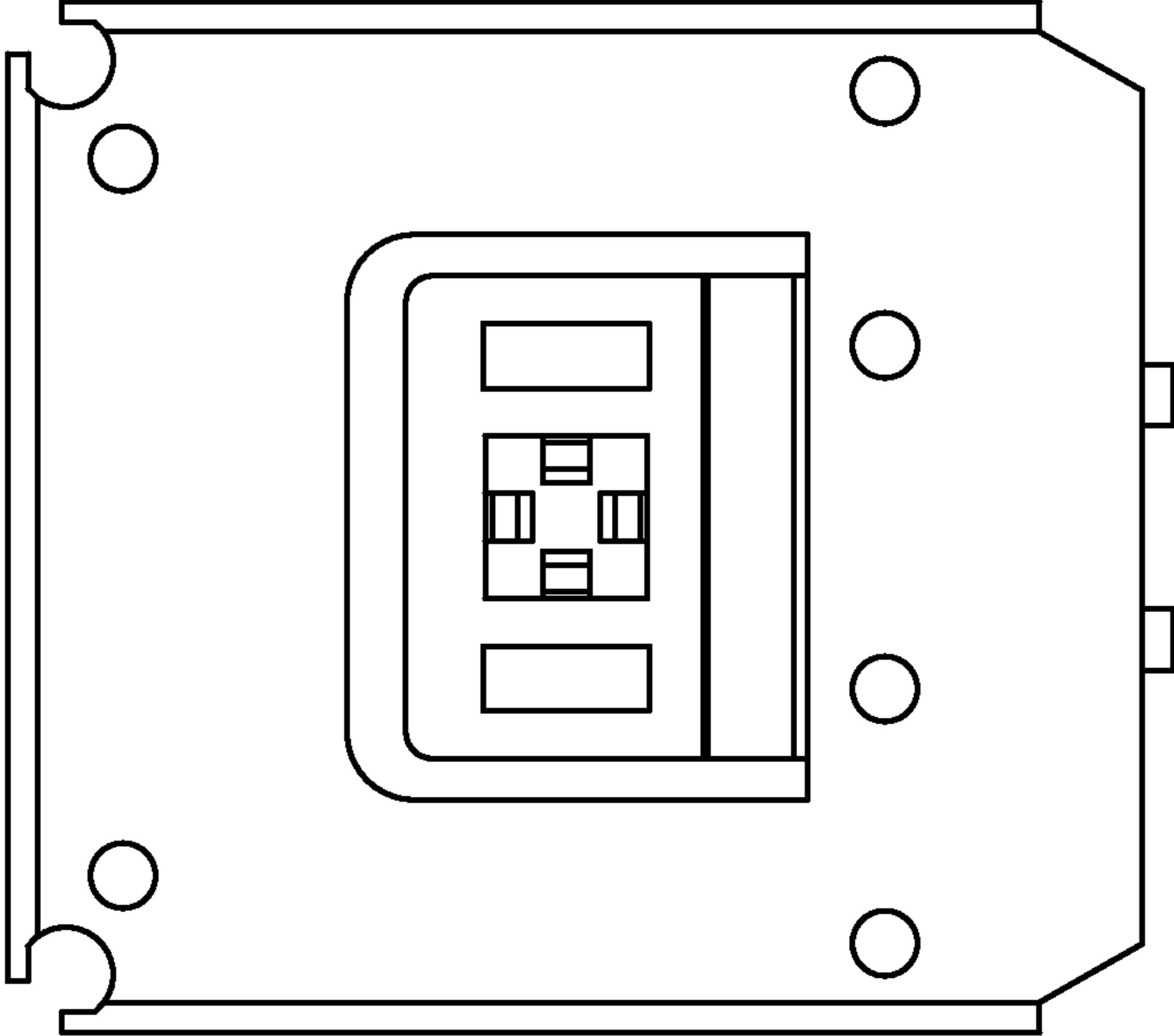


Fig. 3

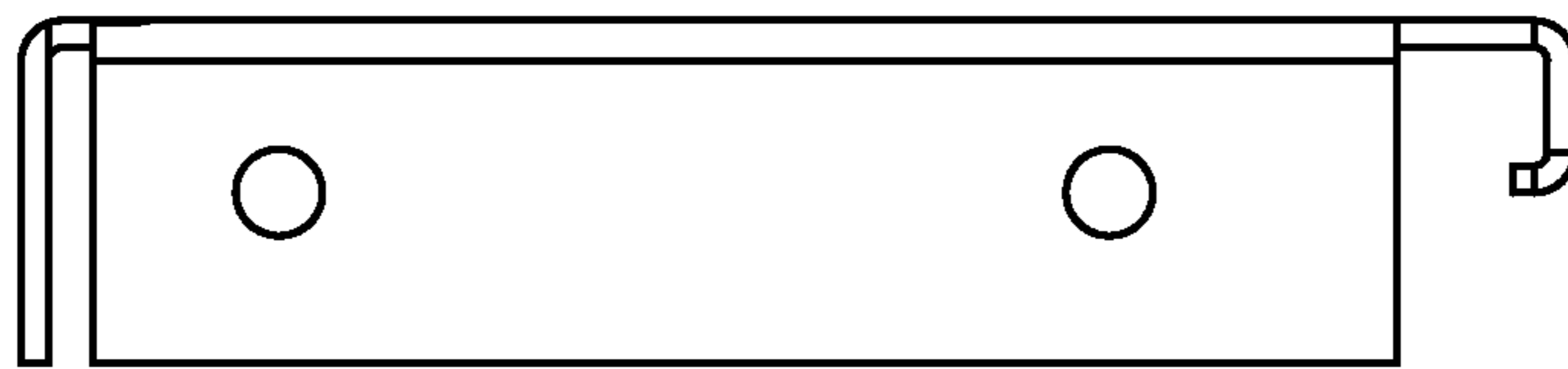


Fig. 4



Fig. 5

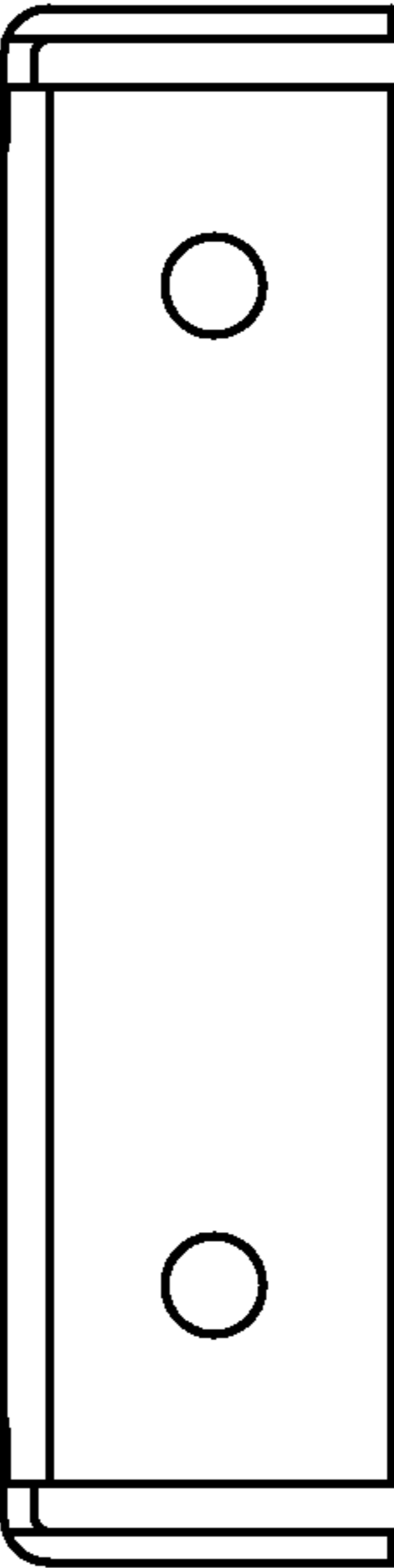


Fig. 6

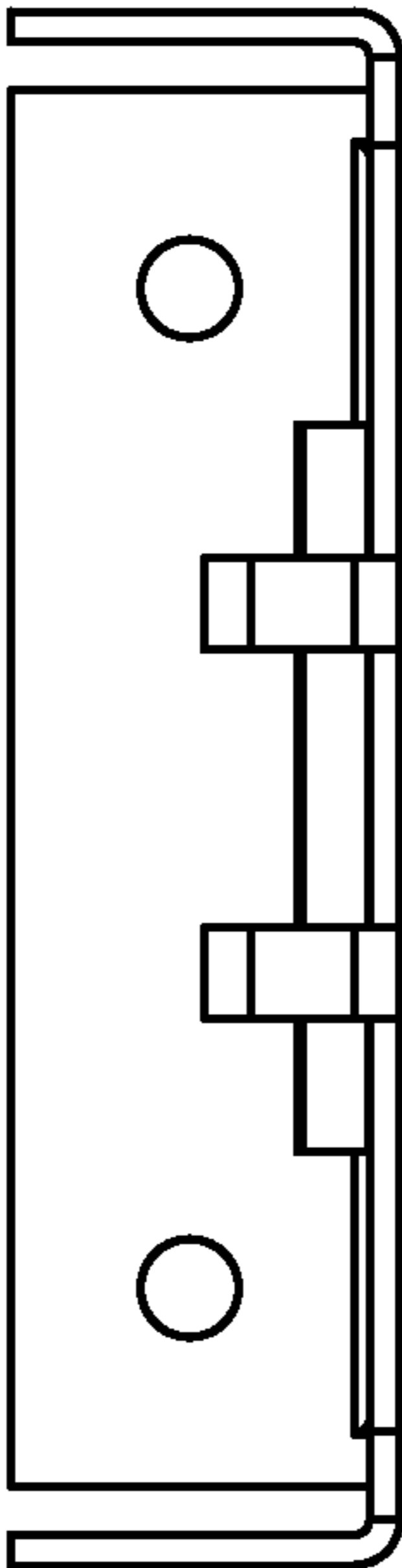


Fig. 7