

US00D700828S

(12) **United States Design Patent**  
**Goodman et al.**

(10) **Patent No.:** **US D700,828 S**  
(45) **Date of Patent:** **\*\* Mar. 11, 2014**

(54) **HOOK**

(71) Applicant: **Spectrum Diversified Designs, Inc.**,  
Streetsboro, OH (US)

(72) Inventors: **Sheldon H. Goodman**, Solon, OH (US);  
**Phaysouk Xayoiphonh**, Akron, OH  
(US)

(73) Assignee: **Spectrum Diversified Designs, Inc.**,  
Streetsboro, OH (US)

(\*\*) Term: **14 Years**

(21) Appl. No.: **29/447,192**

(22) Filed: **Mar. 1, 2013**

(51) **LOC (10) Cl.** ..... **08-05**

(52) **U.S. Cl.**  
USPC ..... **D8/367**

(58) **Field of Classification Search**  
USPC ..... D8/367, 354, 349, 373, 372; D6/323;  
248/301-304, 339, 205.3  
See application file for complete search history.

(56) **References Cited**

**U.S. PATENT DOCUMENTS**

D308,015 S \* 5/1990 Volpe et al. .... D8/367  
D480,292 S \* 10/2003 Johansson et al. .... D8/367  
D543,837 S \* 6/2007 Newbould et al. .... D8/367

D554,481 S \* 11/2007 Newbould et al. .... D8/367  
D554,981 S \* 11/2007 Delisio et al. .... D8/367  
D600,099 S \* 9/2009 Dahlin ..... D8/367  
D603,247 S \* 11/2009 Harrell et al. .... D8/367  
D620,344 S \* 7/2010 Henry et al. .... D8/367  
D669,344 S \* 10/2012 Martin et al. .... D8/367  
8,381,374 B2 \* 2/2013 Henry et al. .... 24/716

\* cited by examiner

*Primary Examiner* — Cynthia Underwood

(74) *Attorney, Agent, or Firm* — Benesch Friedlander  
Coplan & Aronoff LLP

(57) **CLAIM**

The ornamental design for a hook, as shown and described.

**DESCRIPTION**

FIG. 1 is a perspective view of a single hook showing a new design;

FIG. 2 is a top view of the single hook of FIG. 1;

FIG. 3 is a front view of the single hook of FIG. 1;

FIG. 3 is a cross-sectional view taken along line 7-7 in FIG. 3.

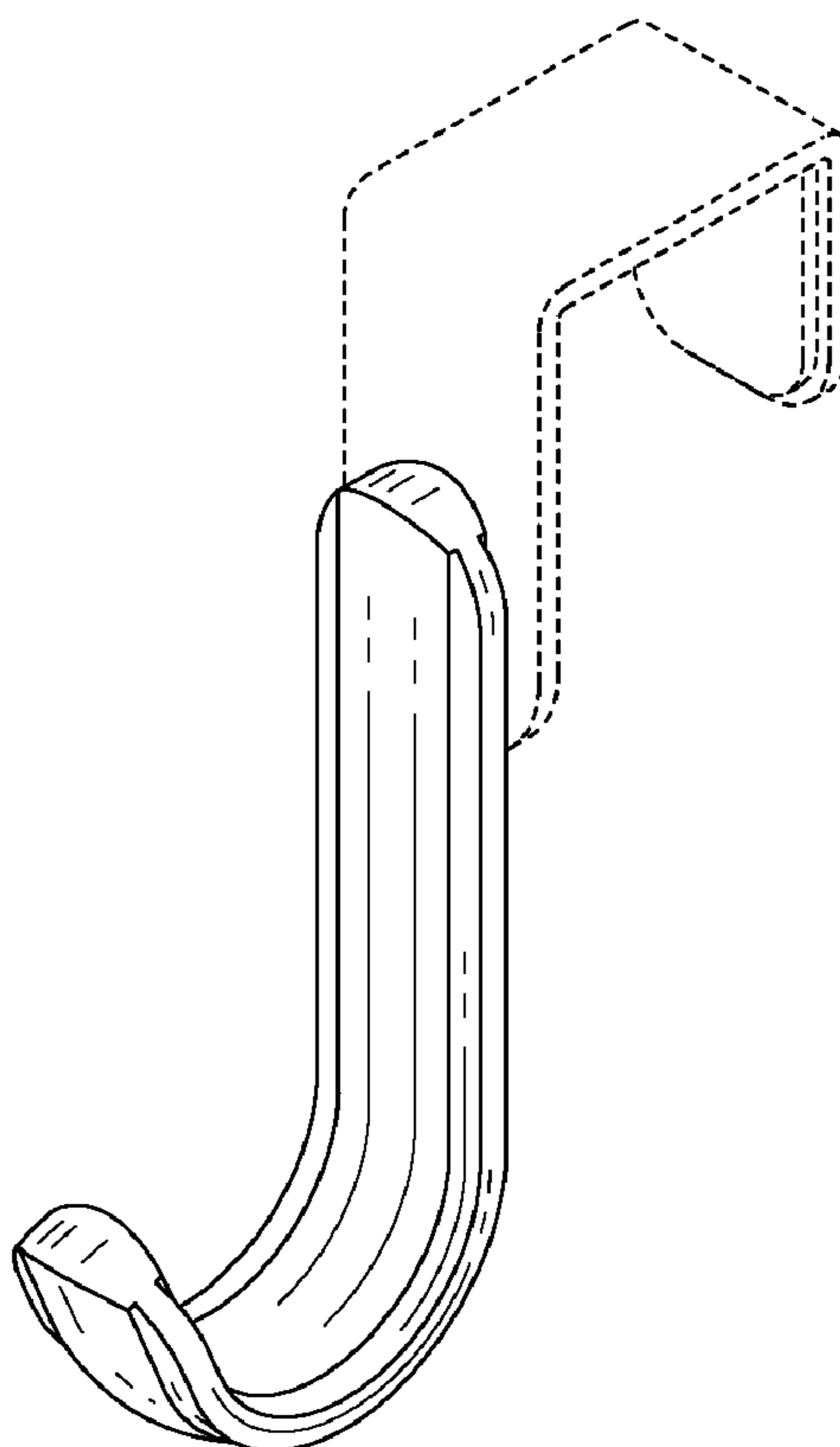
FIG. 4 is a side view of the single hook of FIG. 1;

FIG. 5 is a rear view of the single hook of FIG. 1; and,

FIG. 6 is a bottom view of the single hook of FIG. 1.

The components of the display shown in broken lines illustrate portions of the single hook which form no part of the claimed design.

**1 Claim, 2 Drawing Sheets**



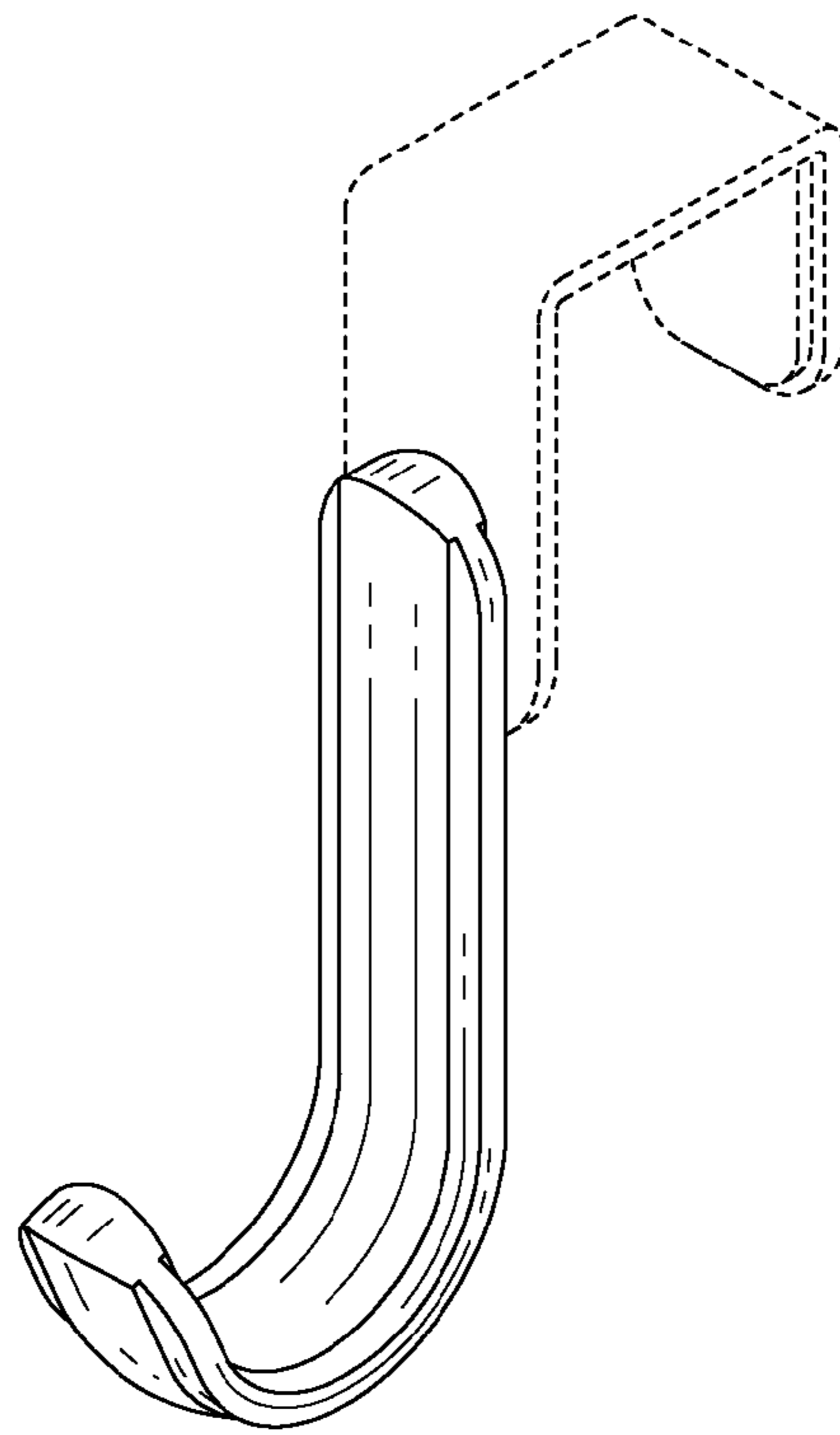


FIG 1

