



US00D700825S

(12) **United States Design Patent**
Furling et al.

(10) **Patent No.:** **US D700,825 S**
(45) **Date of Patent:** **** Mar. 11, 2014**

(54) **FASTENING, SUPPORTING OR MOUNTING
DEVICE**

(56) **References Cited**

(75) Inventors: **Andreas Furling**, Kagiswill (CH);
Marcel Amrein, Kagiswill (CH); **Lukas
Gisler**, Kagiswill (CH)

(73) Assignee: **Leister Technologies AG**, Kagiswil
(CH)

(**) Term: **14 Years**

(21) Appl. No.: **29/428,191**

(22) Filed: **Jul. 27, 2012**

(30) **Foreign Application Priority Data**

May 31, 2012 (EM) 002050476-0002

(51) **LOC (10) Cl.** **08-05**

(52) **U.S. Cl.**
USPC **D8/354**

(58) **Field of Classification Search**
USPC D8/349, 354, 380, 382, 366, 363, 371,
D8/373, 376; 248/300, 237, 309.1, 200,
248/205.1, 207, 214, 235, 247, 351,
248/220.41; 52/188, 182, 191, 702, 712,
52/745.06, 189, 506.5, 586.1; 29/428,
29/525.01, 464; 249/14, 205, 208;
403/167, 169; 211/86.01, 90.01, 105.1,
211/193, 134; 108/152; 40/642.02;
D12/400, 223, 159; D15/21, 28

See application file for complete search history.

U.S. PATENT DOCUMENTS

D379,609 S *	6/1997	Nease, III	D12/162
D380,219 S *	6/1997	Kinnard	D15/140
D389,154 S *	1/1998	Williamson	D14/229
D409,018 S *	5/1999	Deuschle	D6/466
D454,136 S *	3/2002	Deuschle	D14/447
D456,415 S *	4/2002	Deuschle	D14/447
D530,333 S *	10/2006	Richter	D14/447
D563,693 S *	3/2008	Calleja	D6/466
D565,980 S *	4/2008	Reeson et al.	D10/74
D572,571 S *	7/2008	Terada et al.	D8/354
D580,804 S *	11/2008	Gretton	D10/74
D599,190 S *	9/2009	Huang	D8/354
D616,727 S *	6/2010	Chou	D8/354
D622,131 S *	8/2010	Tezak et al.	D8/349

* cited by examiner

Primary Examiner — Mark Goodwin

(74) *Attorney, Agent, or Firm* — Cascio & Zervas

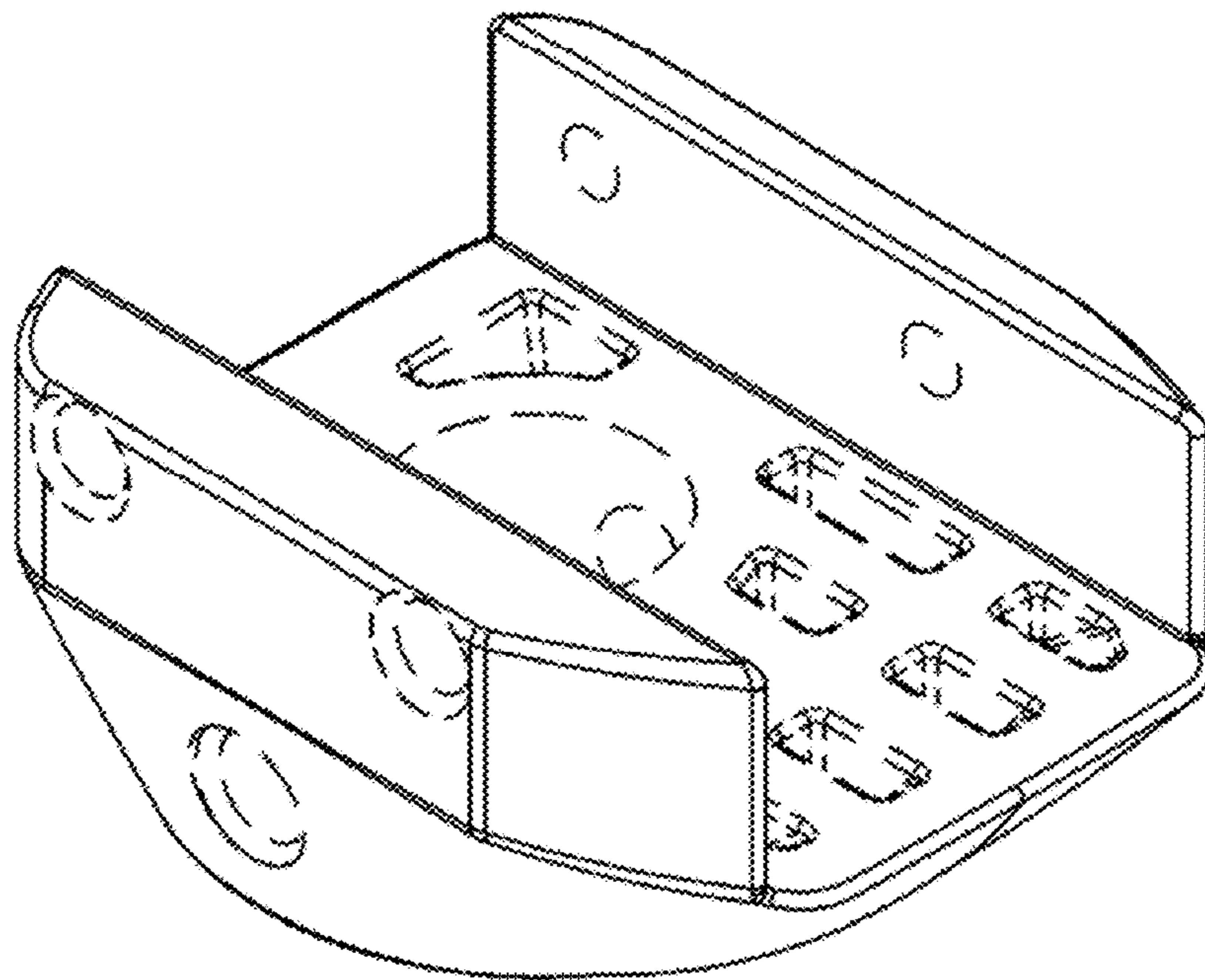
(57) **CLAIM**

The ornamental design for fastening, supporting or mounting device, as shown and described.

DESCRIPTION

FIG. 1 is a perspective view of a fastening, supporting or mounting device showing our design;
FIG. 2 is a left side elevational view thereof;
FIG. 3 is a right side elevational view thereof;
FIG. 4 is a rear elevational view thereof;
FIG. 5 is a front elevational view thereof;
FIG. 6 is a bottom plan view thereof; and,
FIG. 7 is a top plan view thereof.
The broken lines in the figures are for illustration purposes only and form no part of the claimed design.

1 Claim, 4 Drawing Sheets



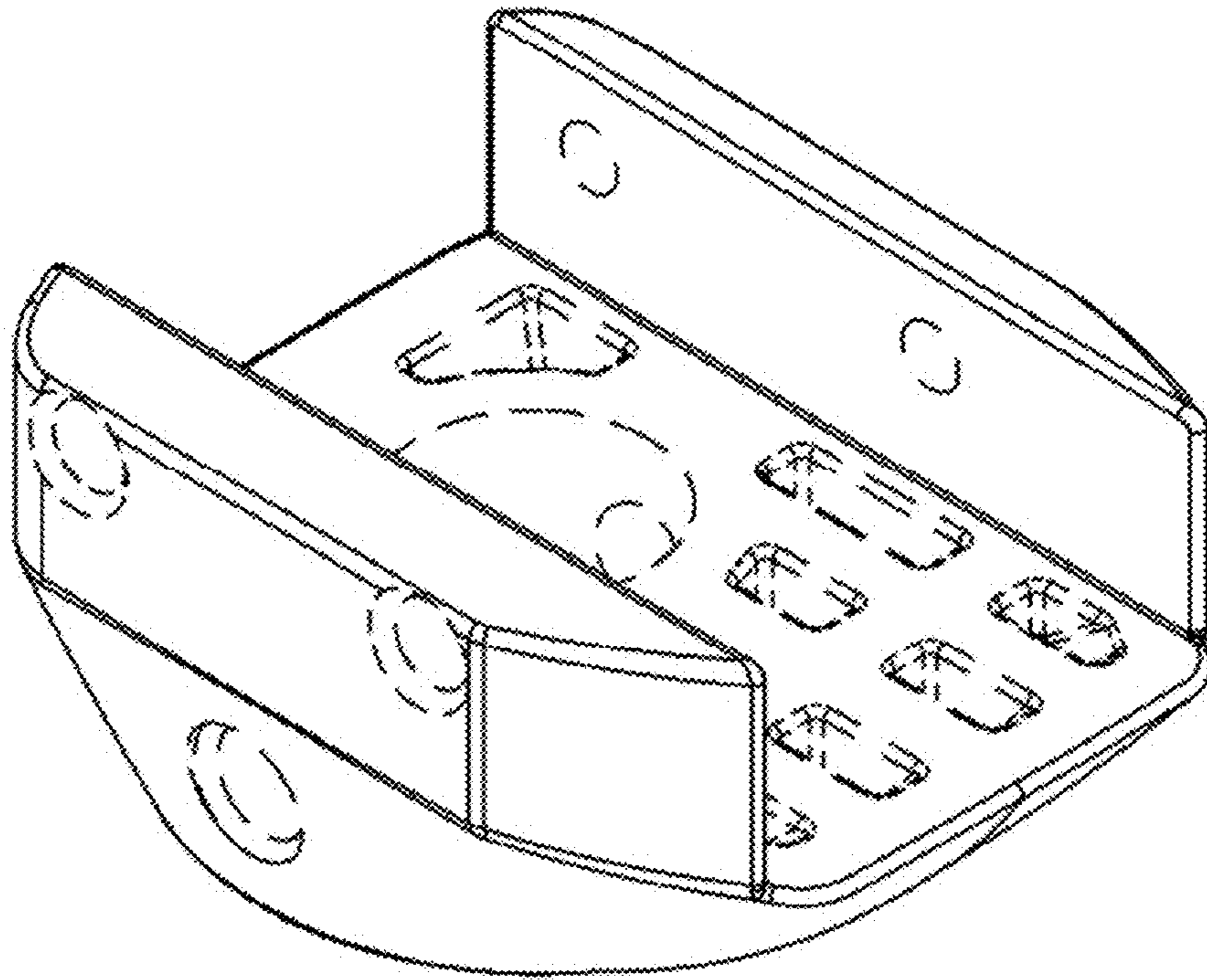


FIG. 1

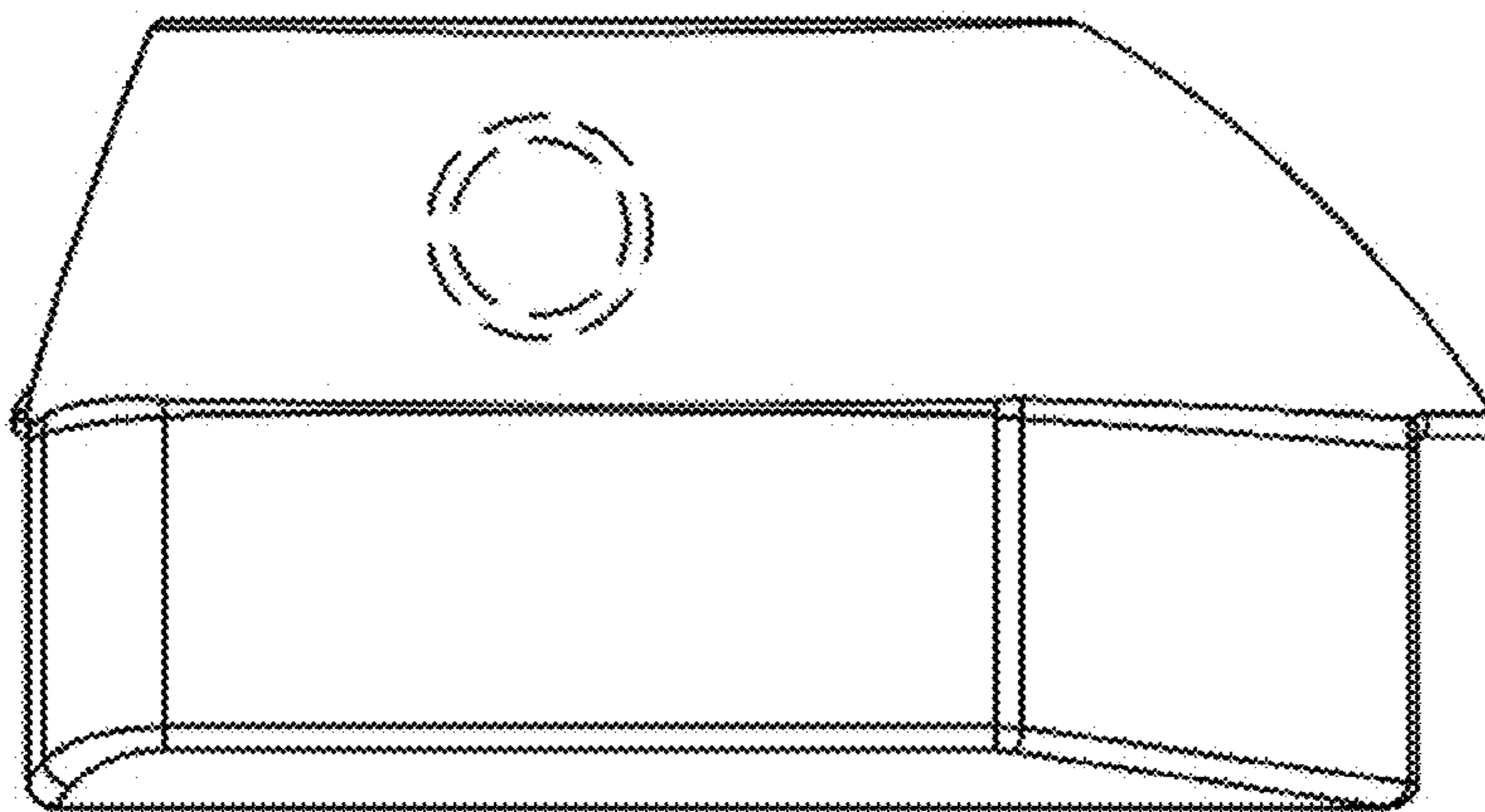


FIG. 2

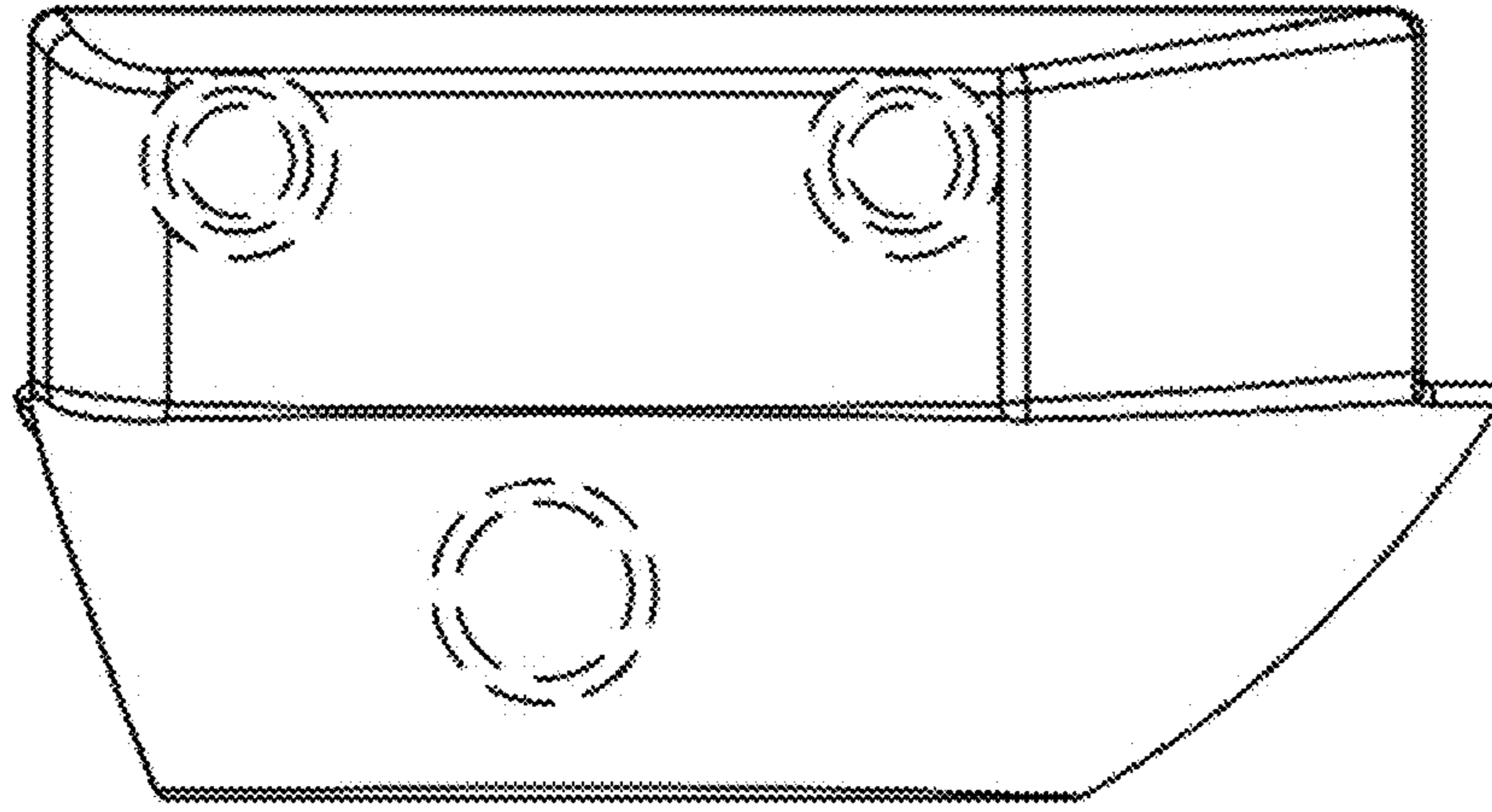


FIG. 3

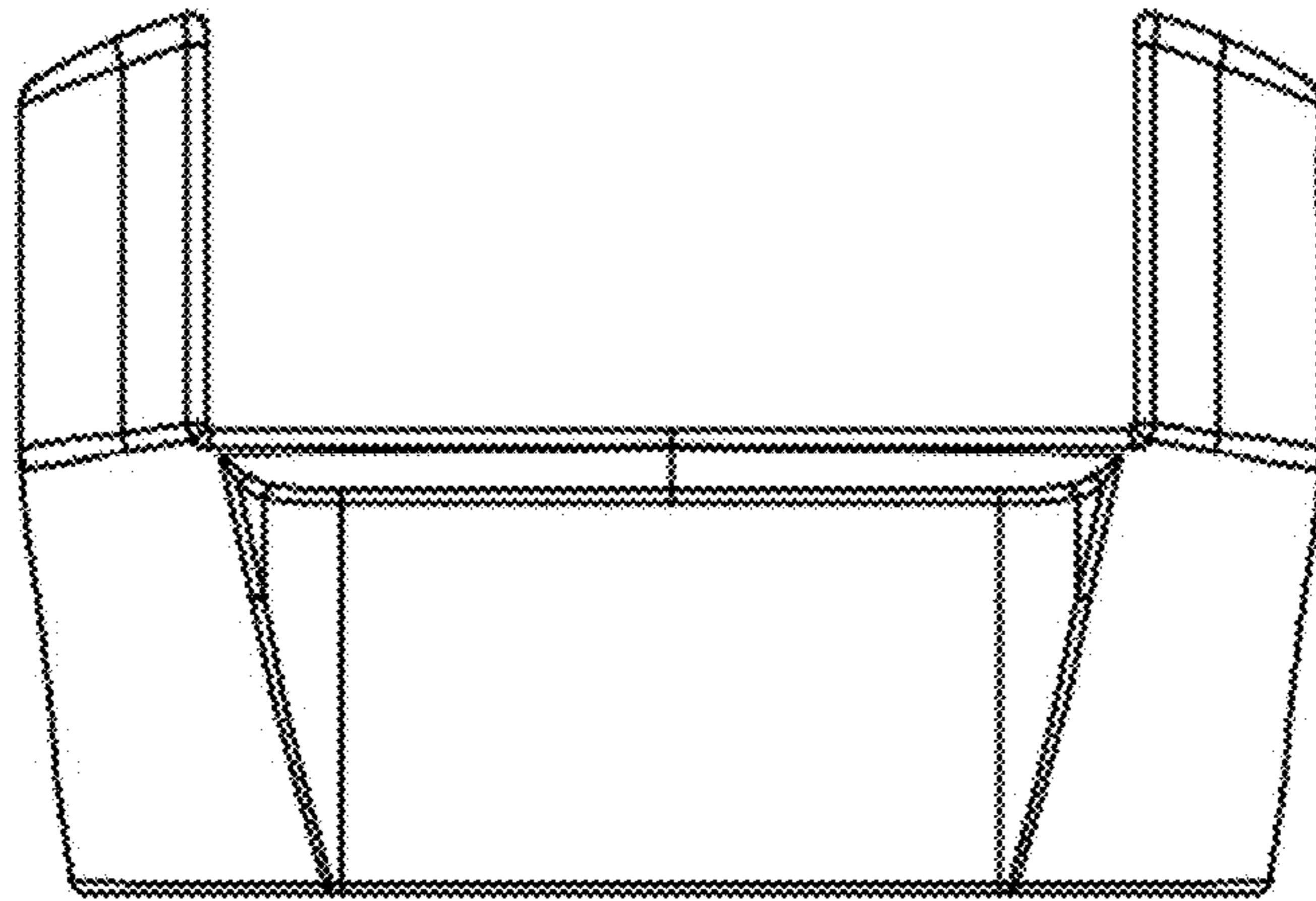


FIG. 4

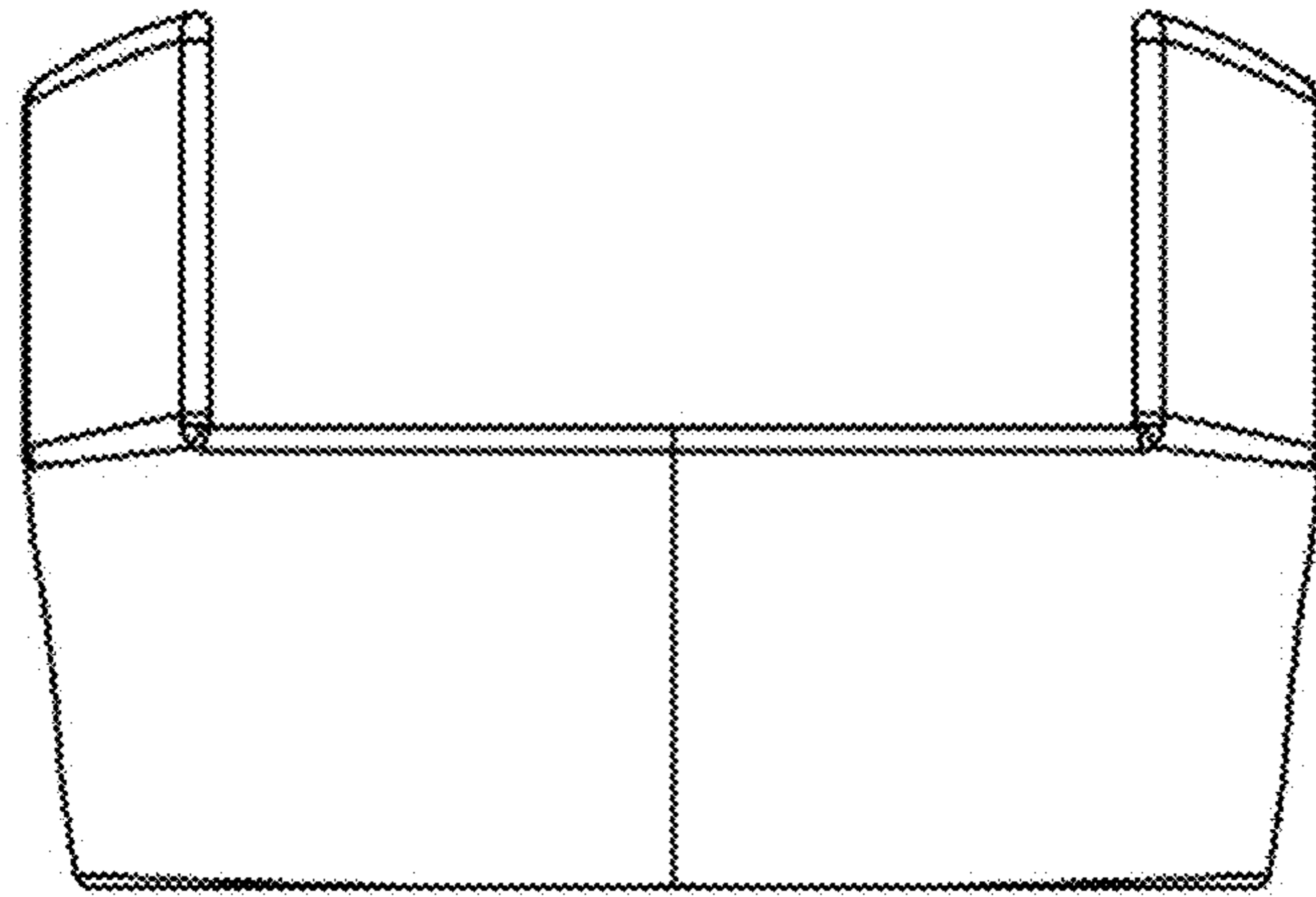


FIG. 5

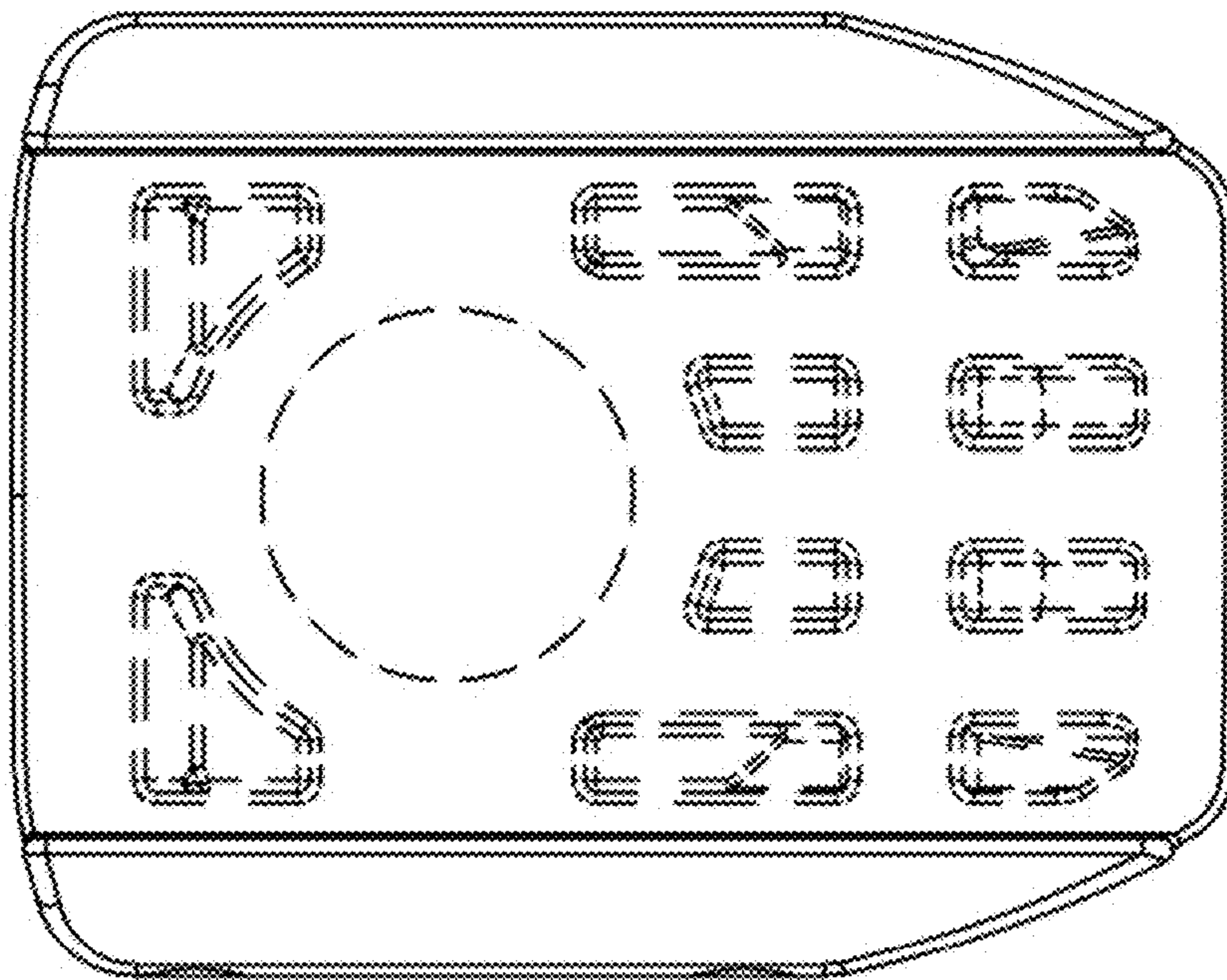


FIG. 6

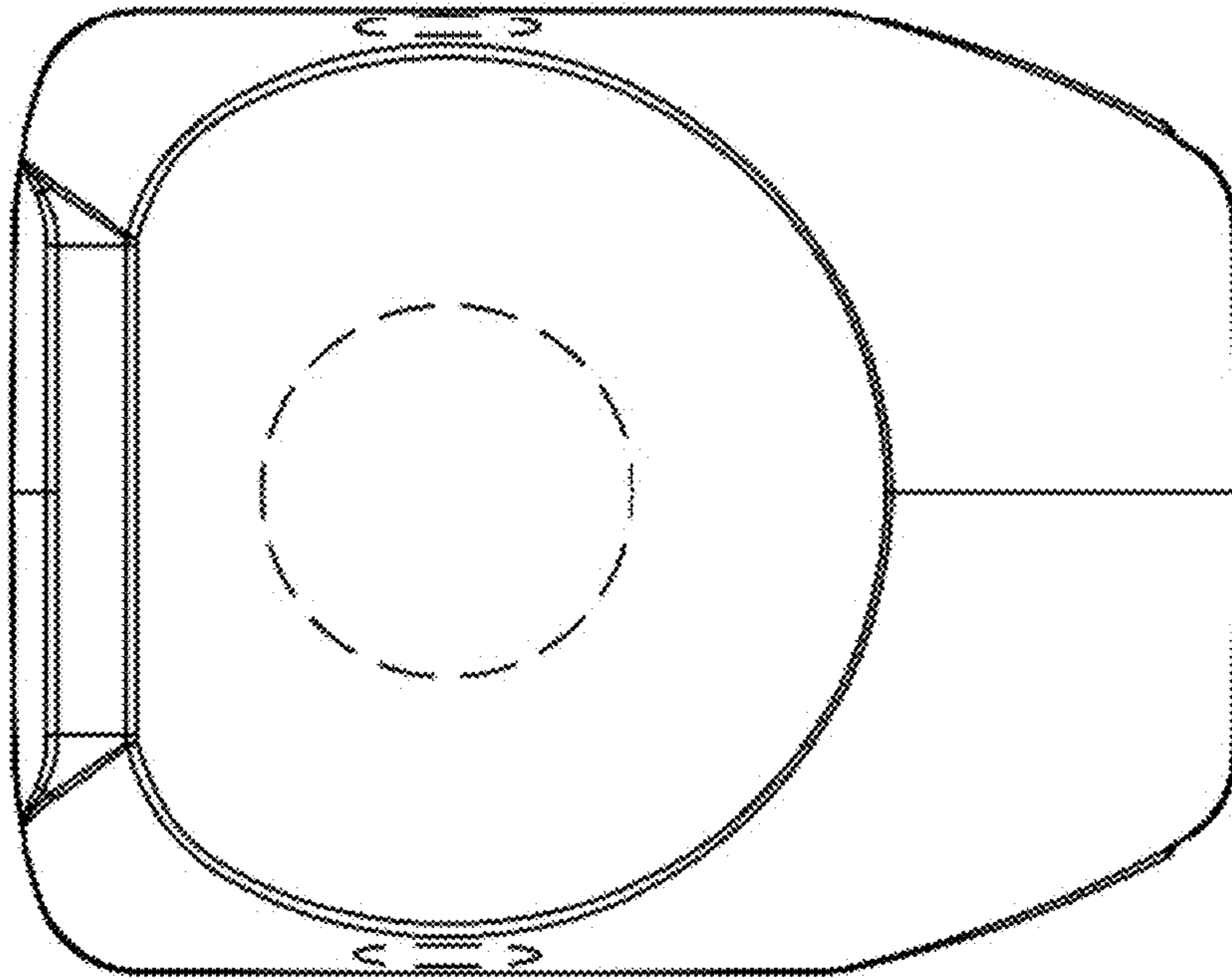


FIG. 7