



US00D700821S

(12) **United States Design Patent**
Tschopp

(10) **Patent No.:** **US D700,821 S**

(45) **Date of Patent:** **** Mar. 11, 2014**

(54) **DRILL**

(71) Applicant: **Black & Decker, Inc.**, Newark, DE (US)

(72) Inventor: **Tylan A. Tschopp**, Baltimore, MD (US)

(73) Assignee: **Black & Decker Inc.**, Newark, DE (US)

(**) Term: **14 Years**

(21) Appl. No.: **29/461,389**

(22) Filed: **Jul. 23, 2013**

(51) **LOC (10) Cl.** **08-03**

(52) **U.S. Cl.**
USPC **D8/68**

(58) **Field of Classification Search**
USPC D8/61, 67, 68; 81/57.4, 489; 173/48,
173/109, 170, 178, 217; 408/124, 125;
362/119; 475/149

See application file for complete search history.

(56) **References Cited**

U.S. PATENT DOCUMENTS

6,308,378	B1 *	10/2001	Mooty et al.	16/430
D546,154	S *	7/2007	Fong et al.	D8/68
D551,527	S *	9/2007	Aglassinger	D8/68
7,492,125	B2 *	2/2009	Serdynski et al.	320/114
D589,317	S *	3/2009	Okuda	D8/68
D593,831	S *	6/2009	Van Wambeke et al.	D8/68
D609,072	S *	2/2010	Van Wambeke	D8/68
D611,319	S *	3/2010	Van Wambeke et al.	D8/68
8,210,273	B2 *	7/2012	Suzuki et al.	173/2
D675,500	S *	2/2013	Taniguchi et al.	D8/68

D678,744	S *	3/2013	Aoki et al.	D8/68
D682,650	S *	5/2013	Kawase et al.	D8/68
2009/0302554	A1 *	12/2009	Thiel	279/62

OTHER PUBLICATIONS

Coroflot. Bostitch Power Tools by Tylan Tschopp. Oct. 4, 2013 [online], [retrieved on Nov. 8, 2013]. Retrieved from the Internet <URL: <http://www.coroflot.com/Tylanosu/Bostitch-Power-Tools>>.*

Hilti SFC 18-A. Cordless compact drill driver. Aug. 27, 2013 [online], [retrieved on Nov. 8, 2013]. Retrieved from the Internet <URL: <https://www.us.hilti.com/cordless-systems/drills%2c-impact-drivers-%26-wrenches/r4832>>.*

* cited by examiner

Primary Examiner — Philip S Hyder

Assistant Examiner — Darlington Ly

(74) *Attorney, Agent, or Firm* — Stephen R. Valancius

(57) **CLAIM**

The ornamental design for a drill, as shown and described.

DESCRIPTION

FIG. 1 is a perspective view of a drill showing my new design;

FIG. 2 is a front view thereof

FIG. 3 is a rear view thereof;

FIG. 4 is a left side view thereof;

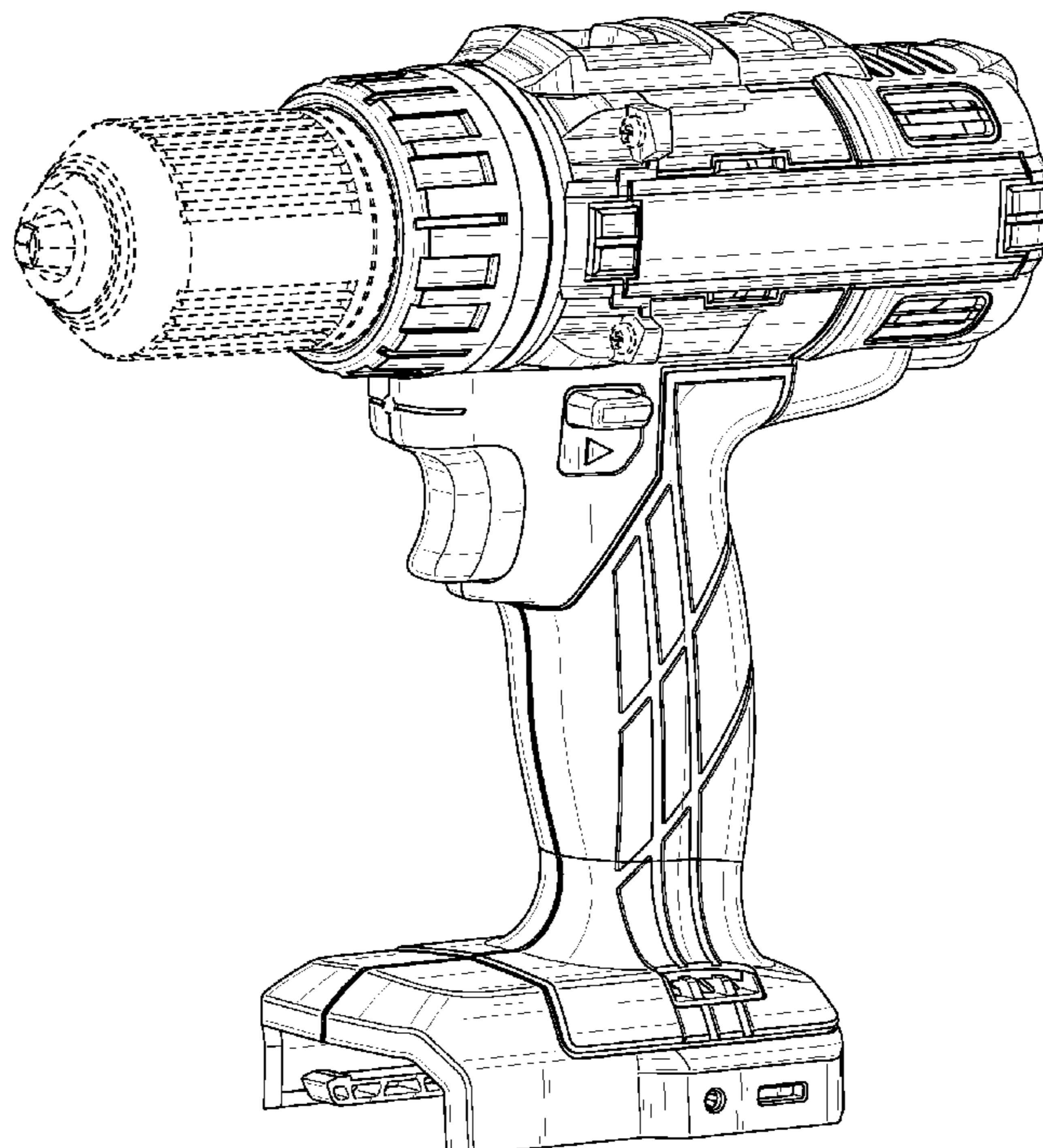
FIG. 5 is a right side view thereof;

FIG. 6 is a top plan view thereof; and,

FIG. 7 is a bottom plan view thereof.

In the above drawings, the broken lines and the areas within the broken lines form no part of the claimed design.

1 Claim, 7 Drawing Sheets



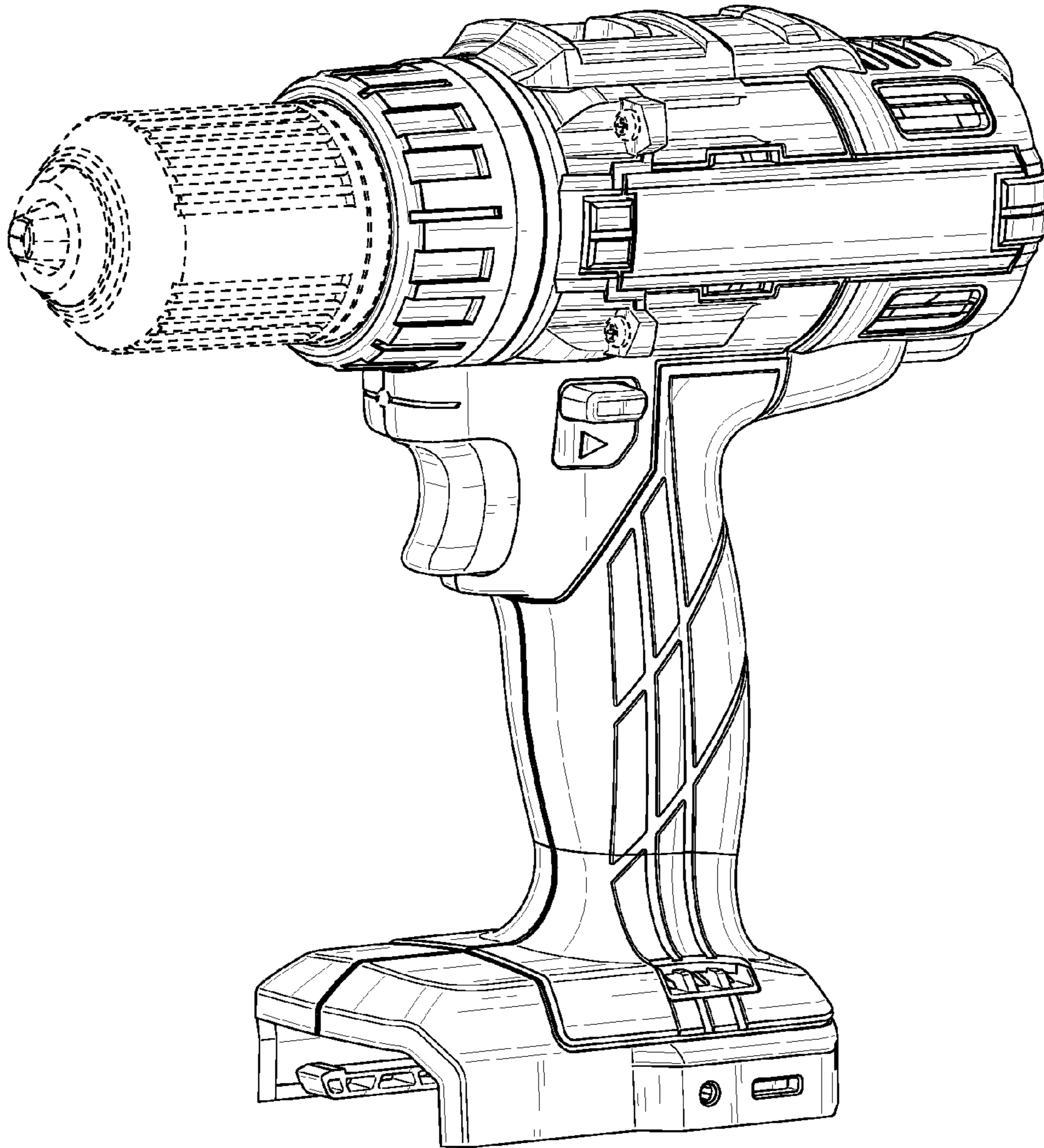


FIG. 1

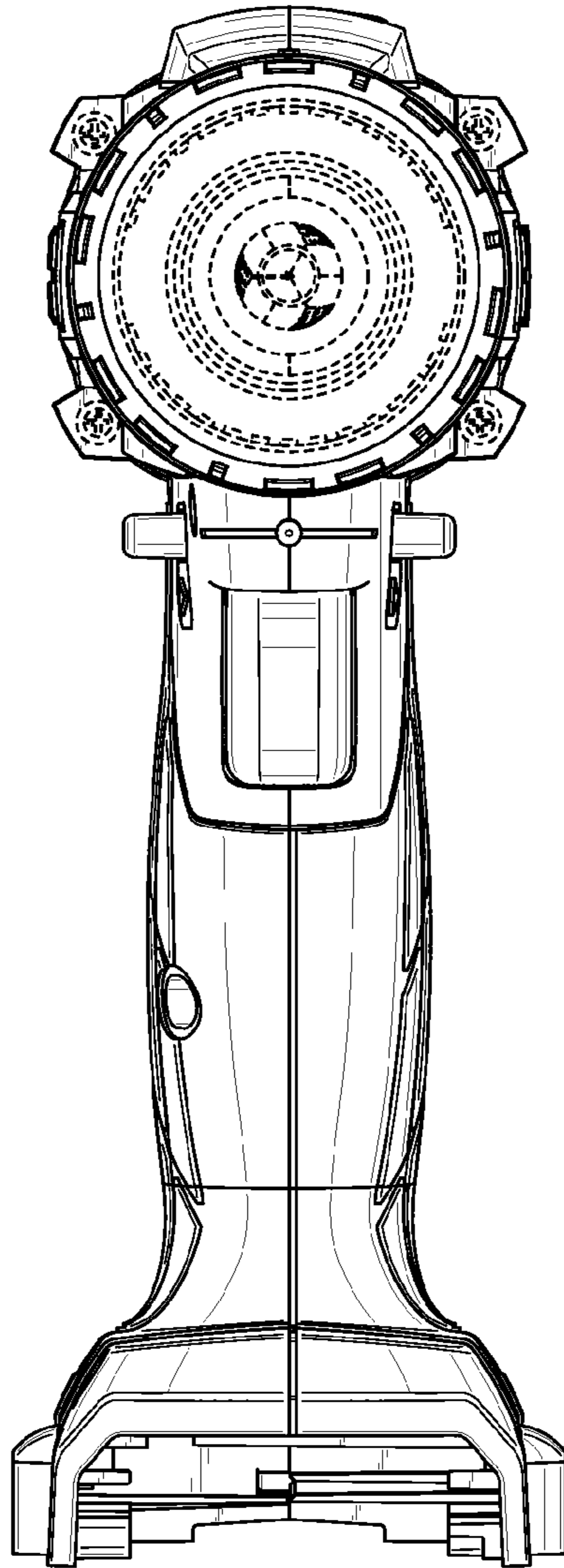


FIG. 2

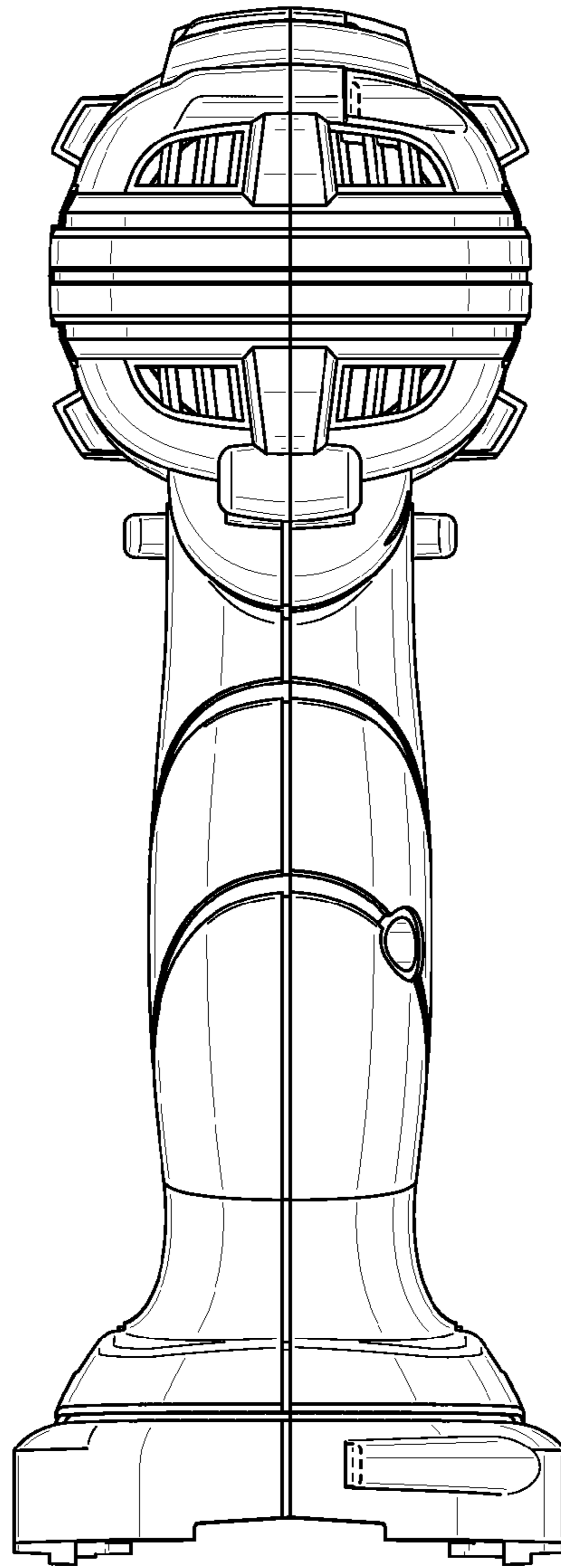


FIG. 3

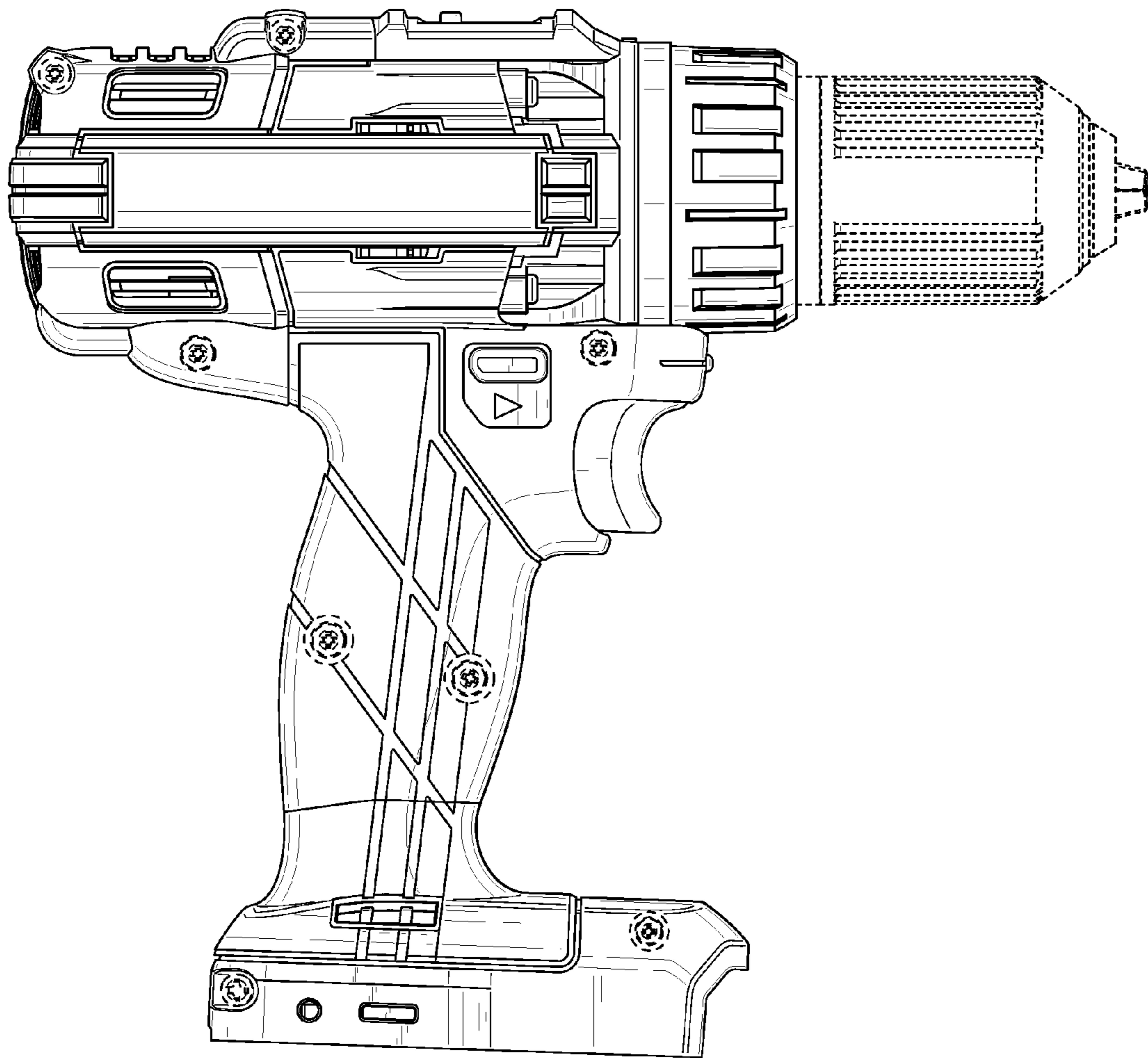


FIG. 4

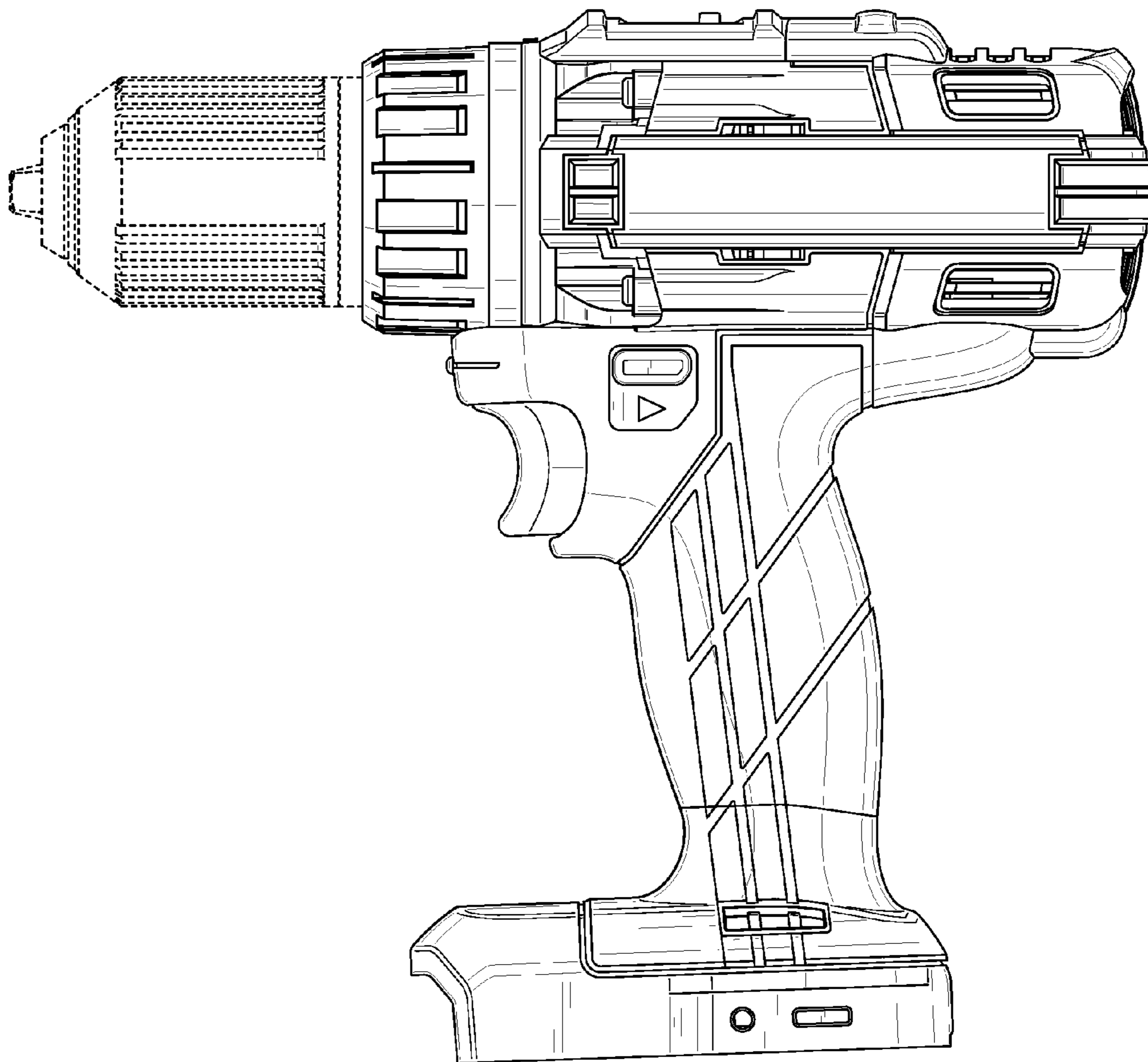


FIG. 5

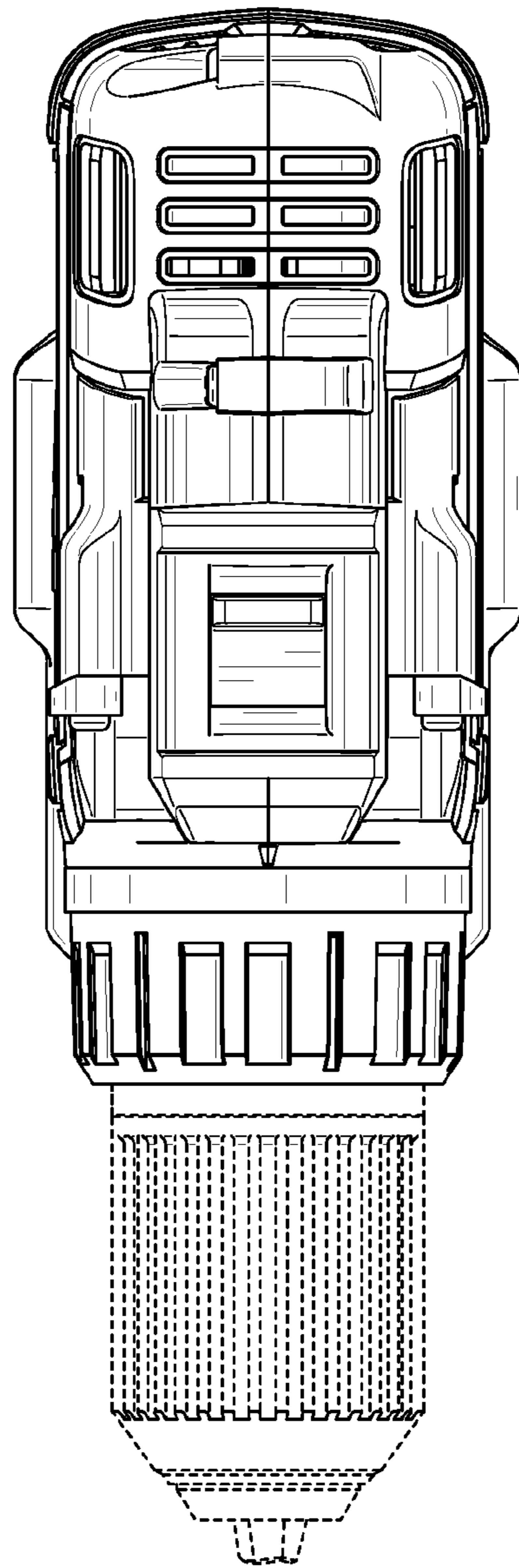


FIG. 6

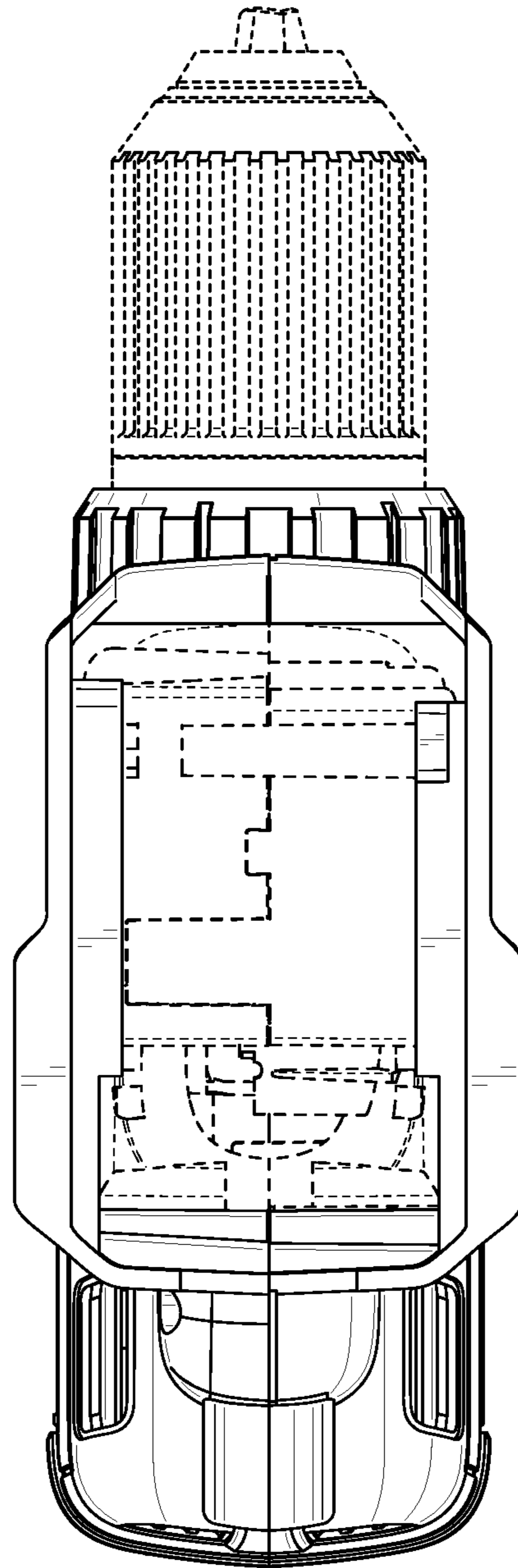


FIG. 7