



US00D700819S

(12) **United States Design Patent**  
**Funston**

(10) **Patent No.:** **US D700,819 S**  
(45) **Date of Patent:** **\*\* Mar. 11, 2014**

(54) **CONSTRUCTION WRENCH**  
(71) Applicant: **Ideal Industries, Inc.**, Sycamore, IL  
(US)  
(72) Inventor: **Dale Funston**, Colorado Springs, CO  
(US)  
(73) Assignee: **Ideal Industries, Inc.**, Sycamore, IL  
(US)

(\*\*) Term: **14 Years**  
(21) Appl. No.: **29/441,095**

(22) Filed: **Dec. 31, 2012**  
(51) **LOC (10) Cl.** ..... **08-05**  
(52) **U.S. Cl.**  
USPC ..... **D8/22**  
(58) **Field of Classification Search**  
USPC ..... D8/21-23, 82, 83, 88, 89, 107; 81/60,  
81/177.1, 177.85, 121.1, 124.3, 165-170,  
81/110.1, 176.2, 124.6, 176.1, 176.15,  
81/177.2, 133, 157, 173  
See application file for complete search history.

(56) **References Cited**

**U.S. PATENT DOCUMENTS**

D156,732 S \* 1/1950 Hoefflicker ..... D8/22  
D185,434 S \* 6/1959 Hansen ..... D8/22  
D208,068 S \* 7/1967 Rando ..... D8/22

3,370,307 A \* 2/1968 Beeks ..... 7/138  
D327,208 S \* 6/1992 Wehling ..... D8/55  
D394,793 S \* 6/1998 Ma ..... D8/105  
6,076,435 A \* 6/2000 White et al. .... 81/176.2  
D467,478 S \* 12/2002 Harewood ..... D8/26  
D494,833 S \* 8/2004 Macor ..... D8/107  
7,017,455 B2 \* 3/2006 Hsien ..... 81/177.1  
7,162,758 B2 \* 1/2007 Skinner ..... 7/127  
D607,299 S \* 1/2010 Albertson ..... D8/105

\* cited by examiner

*Primary Examiner* — Randall Gholson

(74) *Attorney, Agent, or Firm* — Greenberg Traurig, LLP

(57) **CLAIM**

What is claimed is the ornamental design for a construction wrench, as shown and described.

**DESCRIPTION**

FIG. 1 is a rear, left side perspective view of a construction wrench.

FIG. 2 is a top plan view thereof.

FIG. 3 is a bottom plan view thereof.

FIG. 4 is a left side elevational view thereof.

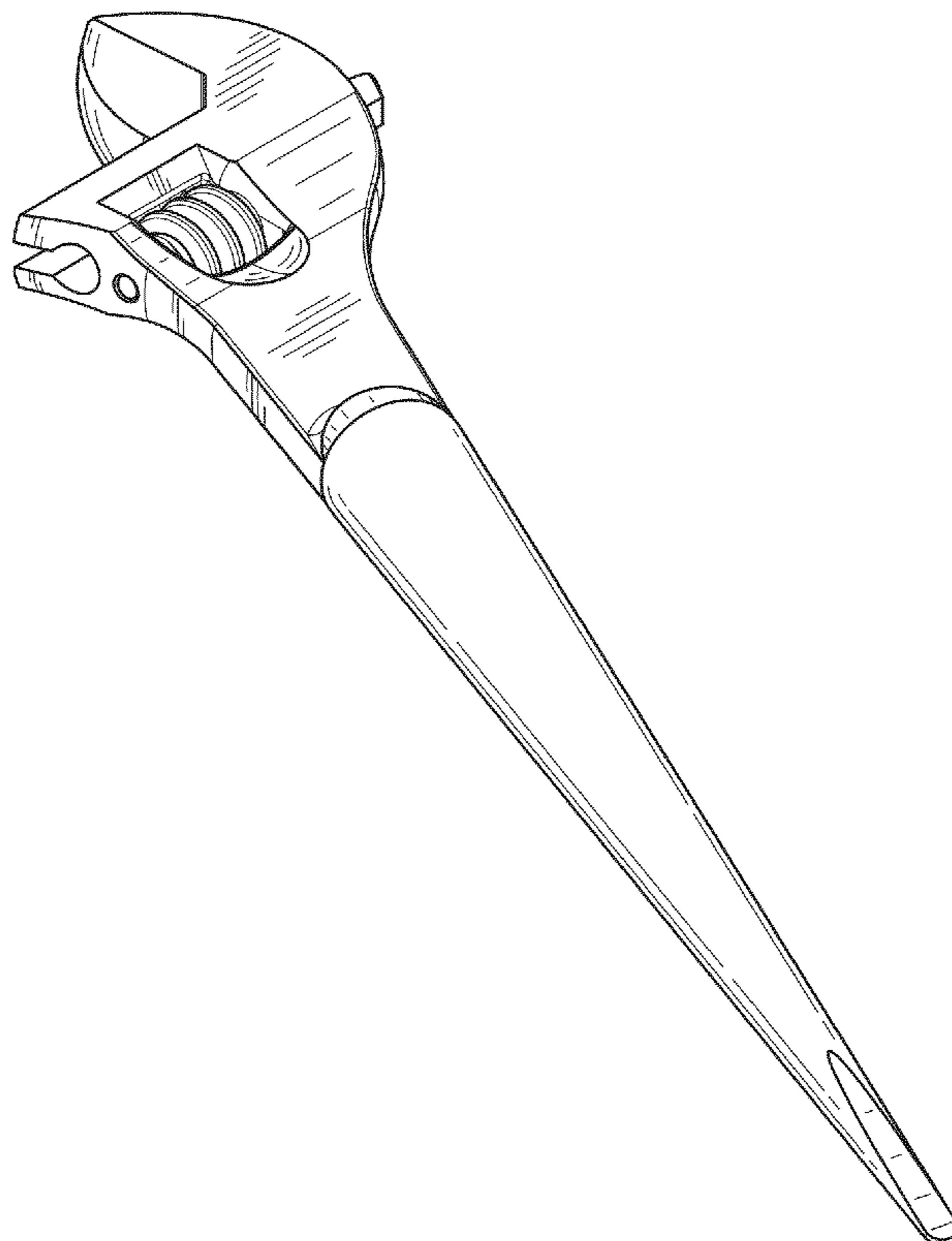
FIG. 5 is a right side elevational view thereof.

FIG. 6 is a rear side elevational view thereof; and,

FIG. 7 is a rear side elevational view thereof.

Any features shown in dotted, dashed, and/or broken lines do not form part of the claimed design. Any surface shading is used solely to show the character or contour of the surface represented.

**1 Claim, 5 Drawing Sheets**



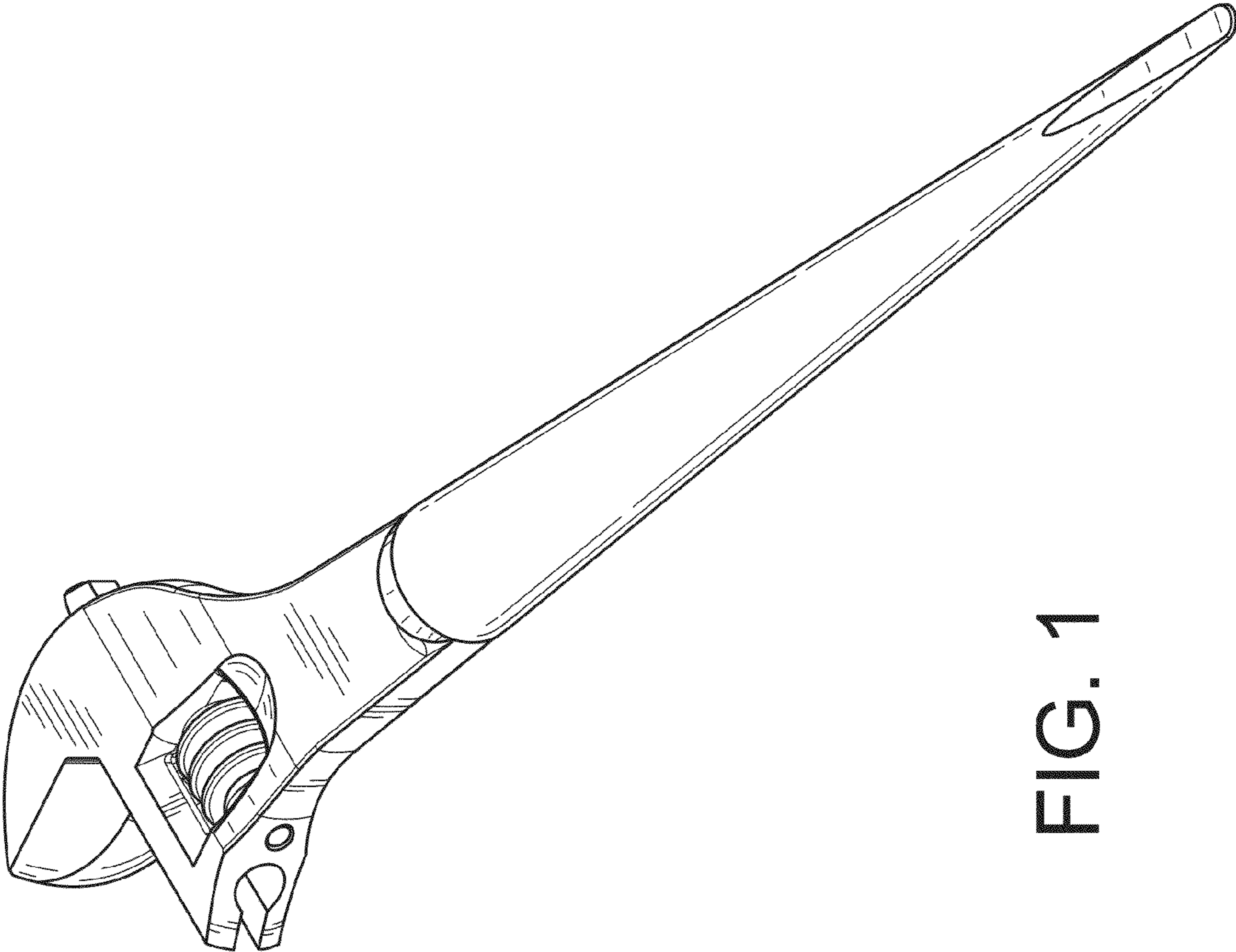


FIG. 1

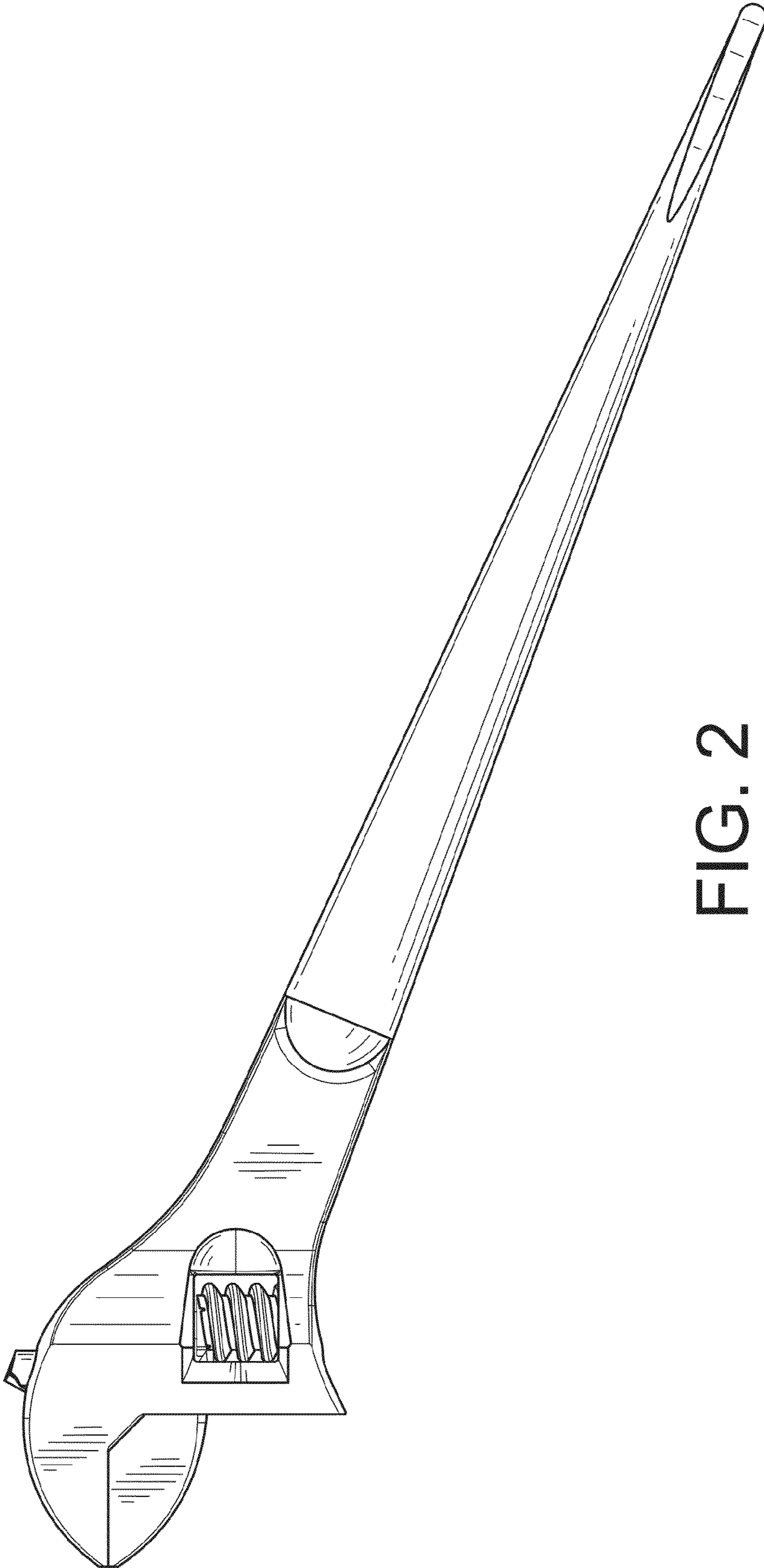


FIG. 2

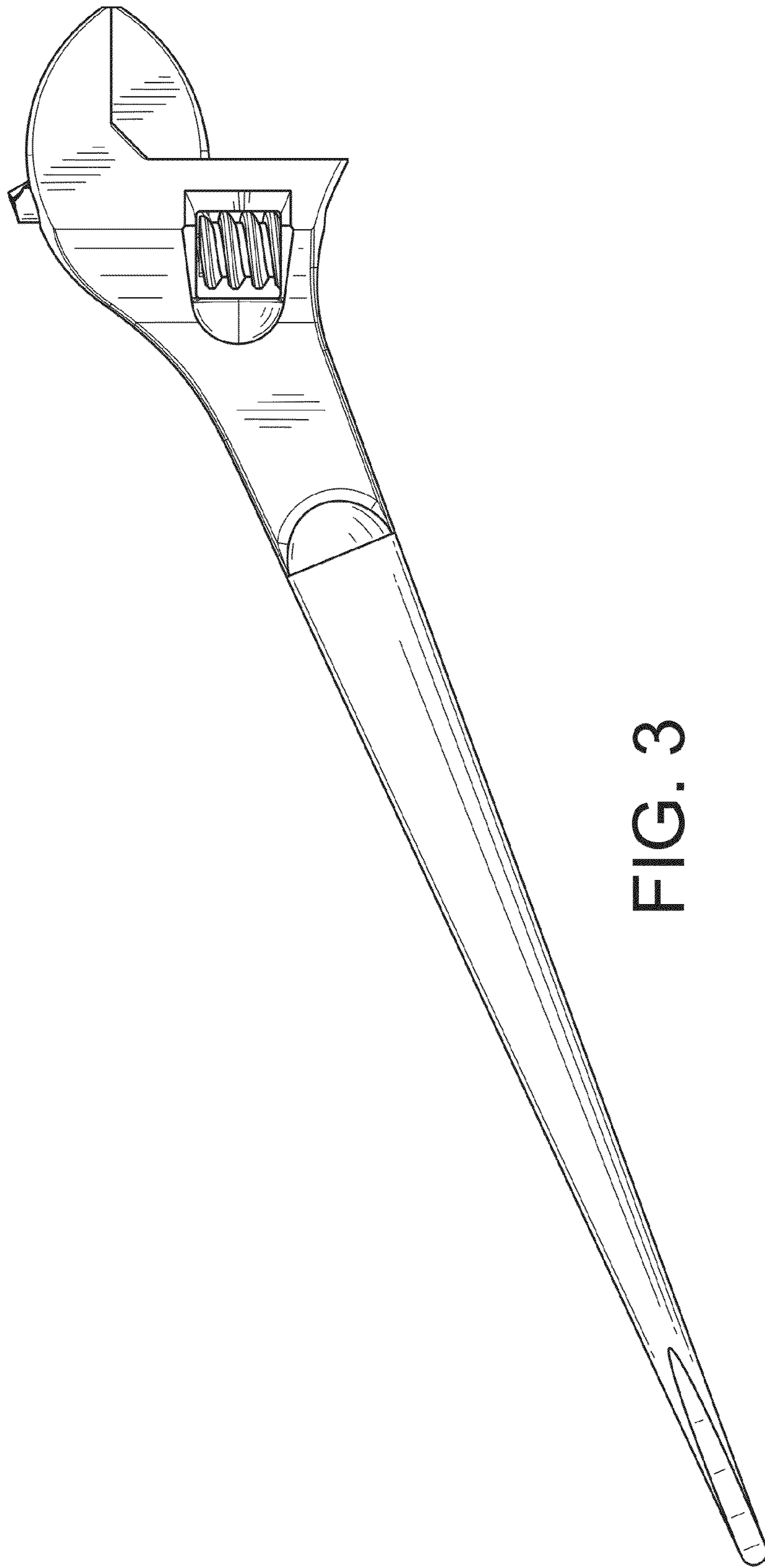


FIG. 3

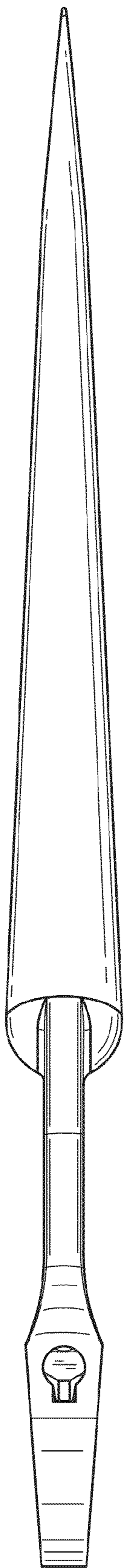


FIG. 4

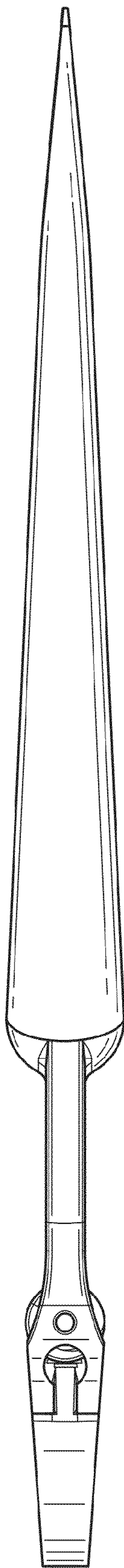


FIG. 5

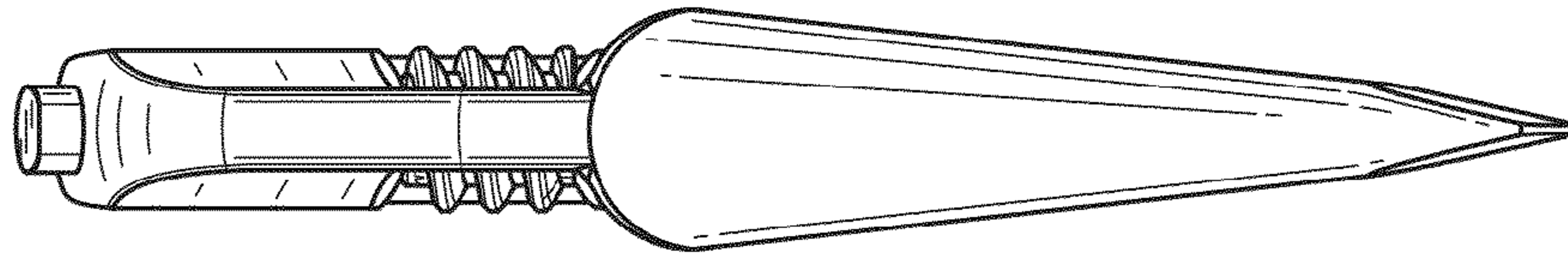


FIG. 7

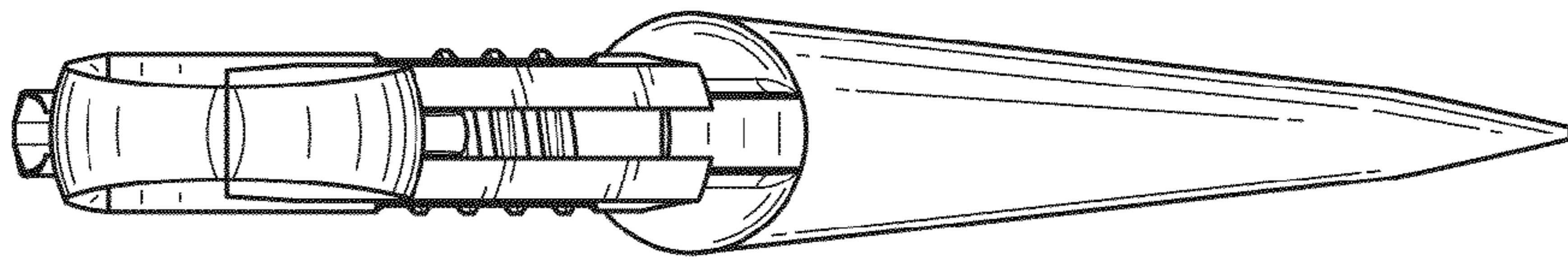


FIG. 6