



US00D700814S

(12) **United States Design Patent**  
**Imamura**

(10) **Patent No.:** **US D700,814 S**  
(45) **Date of Patent:** **\*\* Mar. 11, 2014**

(54) **DRYWALL PATCH BACKING STEM**

(76) Inventor: **Tom Imamura**, Seal Beach, CA (US)

(\*\*) Term: **14 Years**

(21) Appl. No.: **29/426,628**

(22) Filed: **Jul. 9, 2012**

(51) **LOC (10) Cl.** ..... **08-05**

(52) **U.S. Cl.**  
USPC ..... **D8/14**

(58) **Field of Classification Search**  
USPC ..... D8/14, 499; 52/514  
See application file for complete search history.

(56) **References Cited**

**U.S. PATENT DOCUMENTS**

3,690,084	A	9/1972	Leblanc	
3,834,107	A	9/1974	Standing	
3,936,988	A	2/1976	Miceli	
4,075,809	A	2/1978	Sirkin	
4,193,243	A	3/1980	Tiner	
4,354,332	A *	10/1982	Lentz	52/514
4,408,429	A	10/1983	Neal	
4,945,700	A	8/1990	Powell	
5,033,949	A *	7/1991	Jewett	425/12
5,199,238	A	4/1993	Maestas	
D367,596	S	3/1996	Russell	
6,044,613	A	4/2000	Crafts	
D450,992	S *	11/2001	Abshire	D8/88
6,347,496	B1	2/2002	Pinkins	
7,257,931	B2	8/2007	Jones	
2006/0010817	A1 *	1/2006	Shull	52/514

\* cited by examiner

*Primary Examiner* — Doris Clark

(74) *Attorney, Agent, or Firm* — Kirk A. Buhler; Buhler & Associates

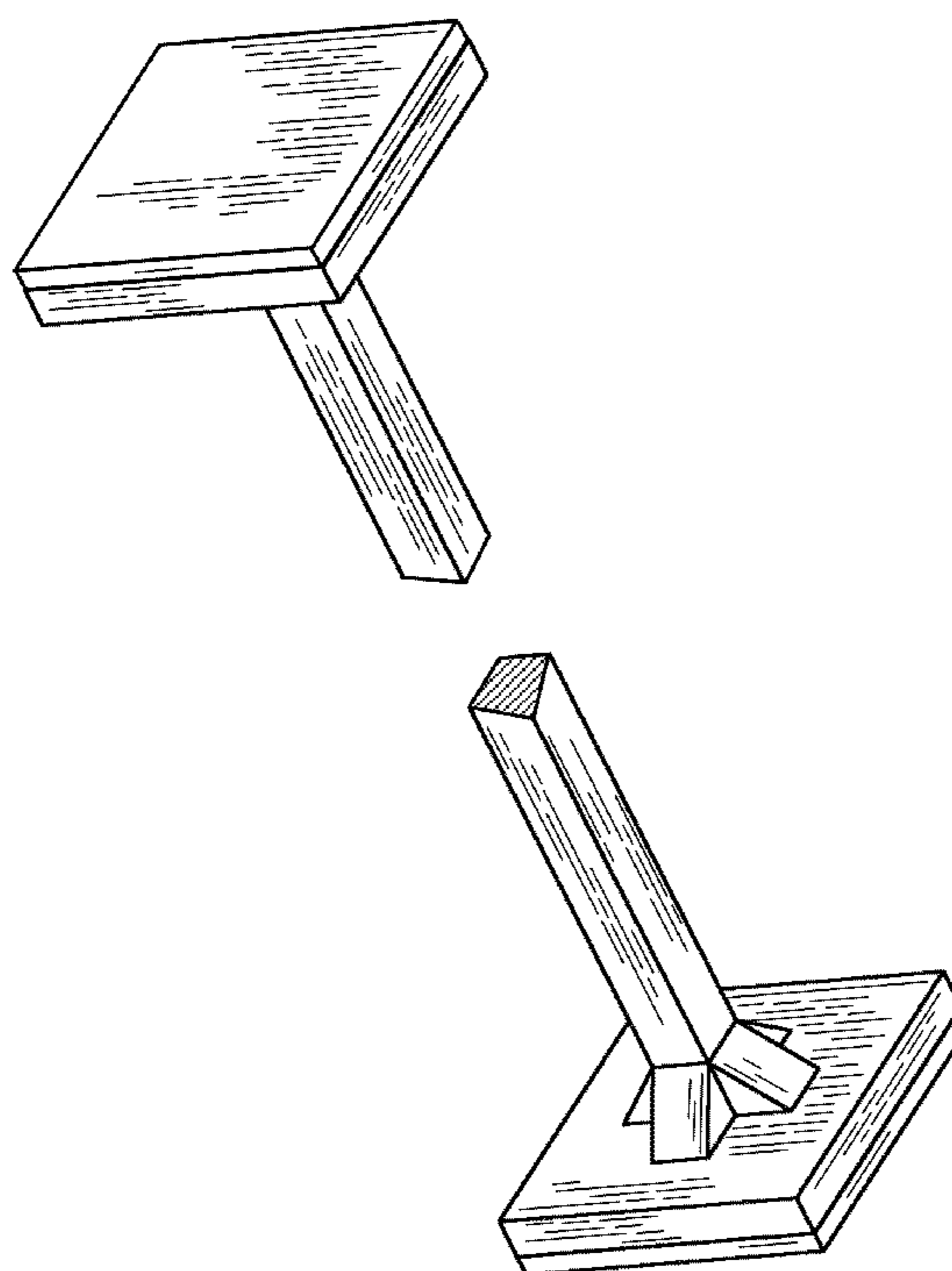
(57) **CLAIM**

The ornamental design for a drywall patch backing stem, as shown and described.

**DESCRIPTION**

FIG. 1 is a top, perspective view for a drywall patch backing stem showing my new design;  
 FIG. 2 is a right side view thereof, the left side, the front side and rear side view being the same image thereof;  
 FIG. 3 is a top view thereof;  
 FIG. 4 is a bottom view thereof;  
 FIG. 5 is a sectional view taken along lines 5-5 from FIG. 2 thereof;  
 FIG. 6 is a sectional view taken along lines 6-6 from FIG. 2 thereof; and,  
 FIG. 7 is a sectional view taken along lines 7-7 from FIG. 2 thereof.  
 The broken lines in FIGS. 1, 2, and 5 show the a drywall patch backing stem to indicate that no particular length of the drywall patch backing stem forms a part of the claimed design. The claimed design is broken in the center to indicate indefinite length.

**1 Claim, 3 Drawing Sheets**



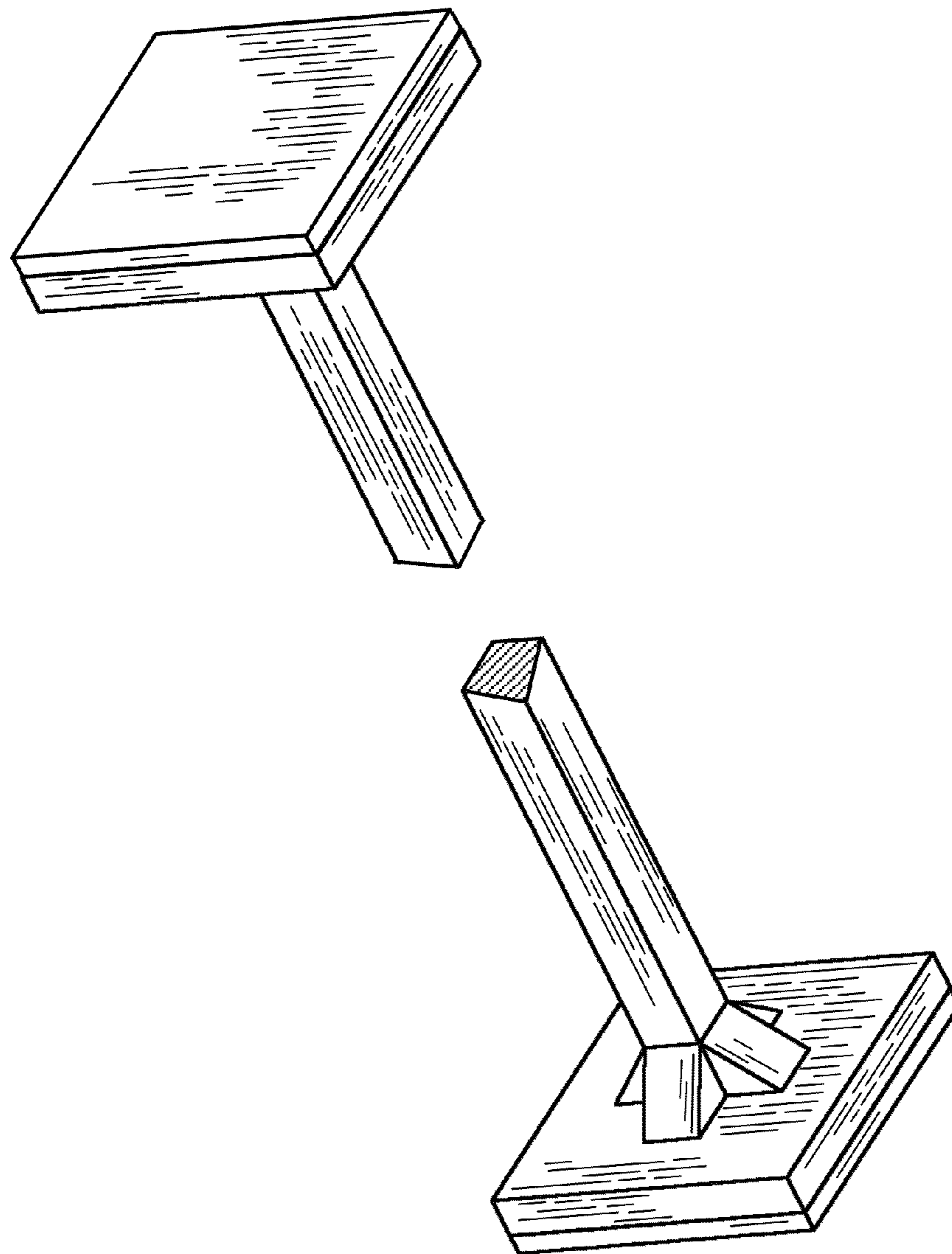


FIG. 1

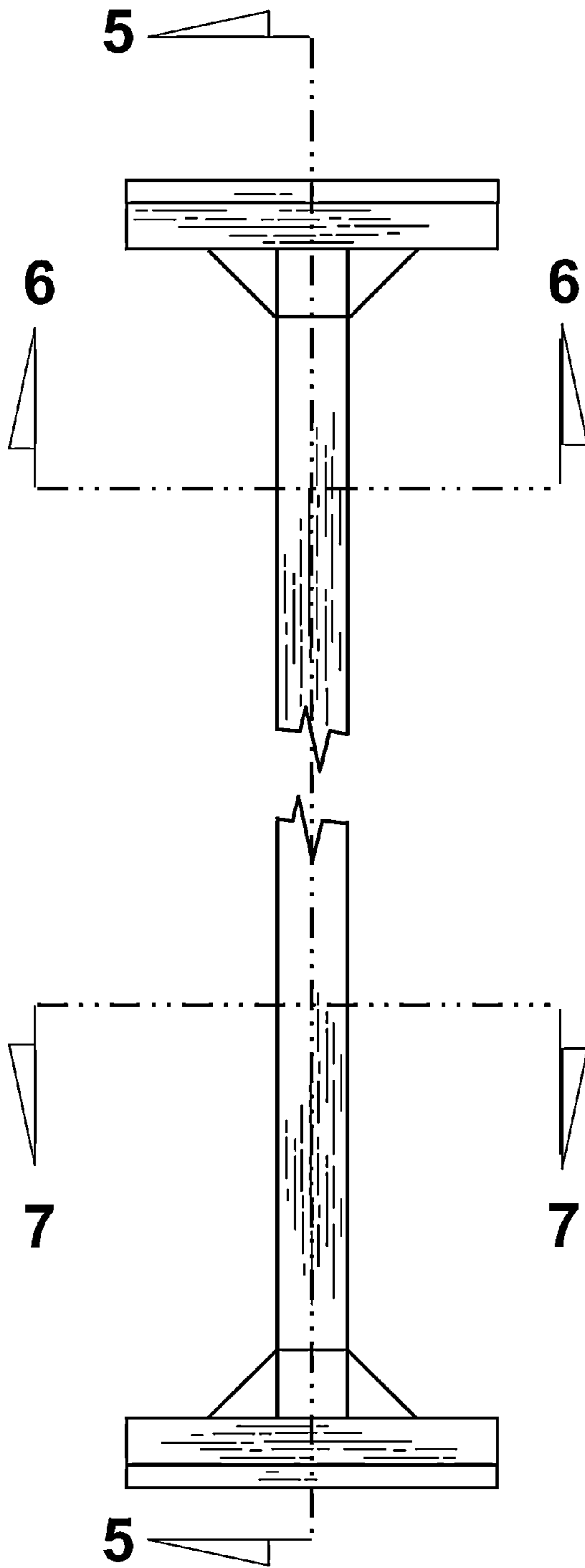


FIG 2

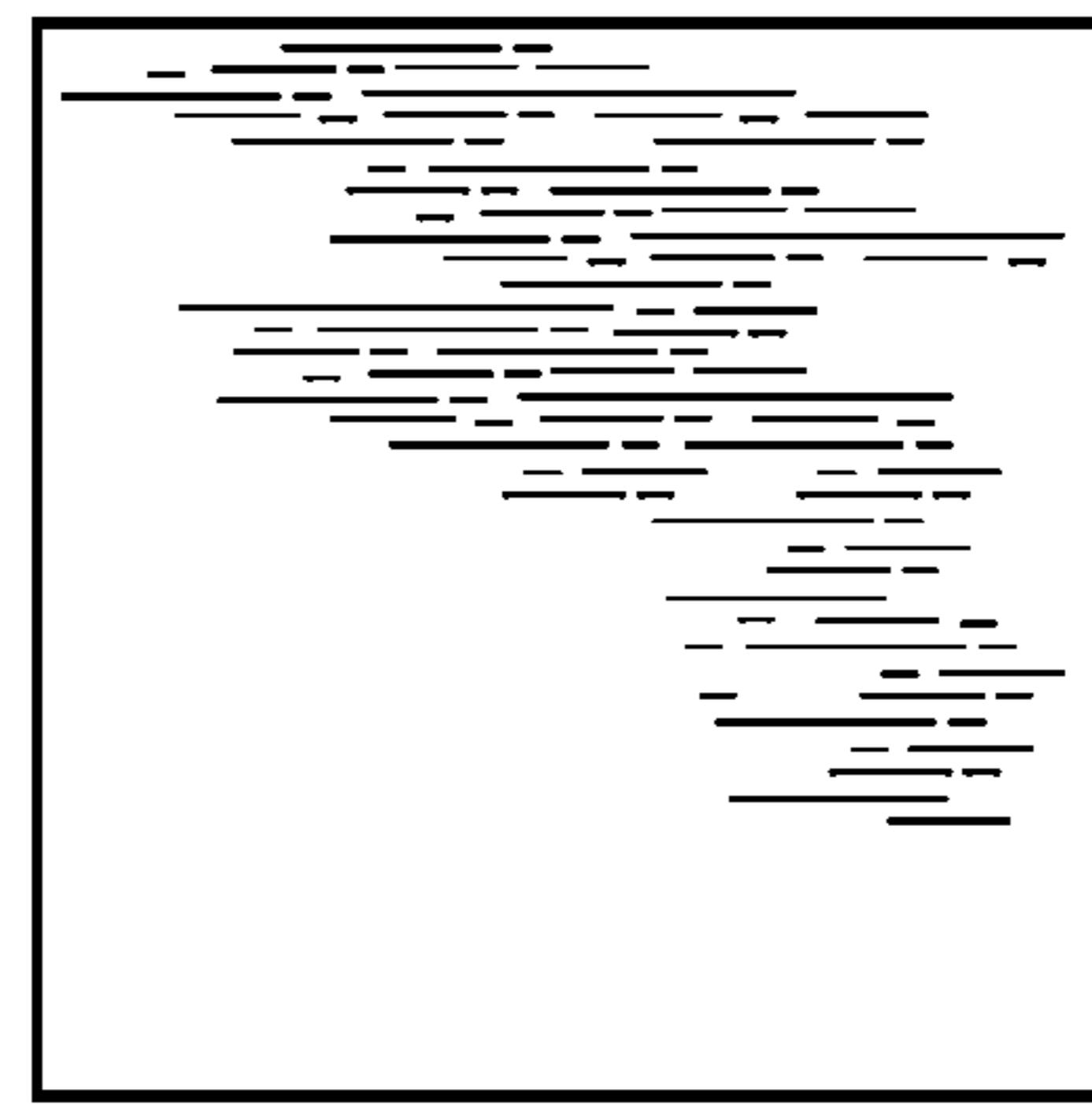


FIG 3

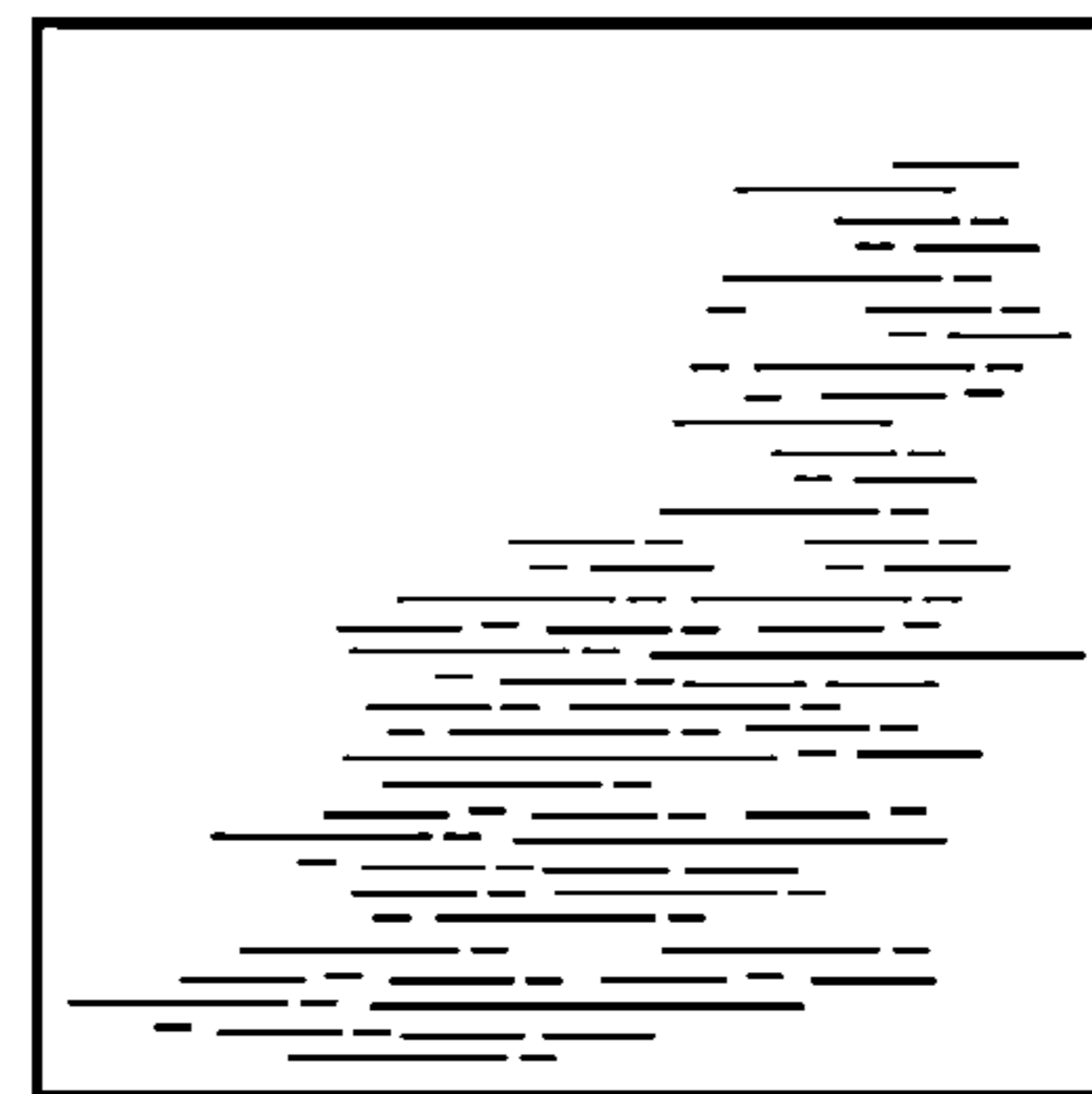
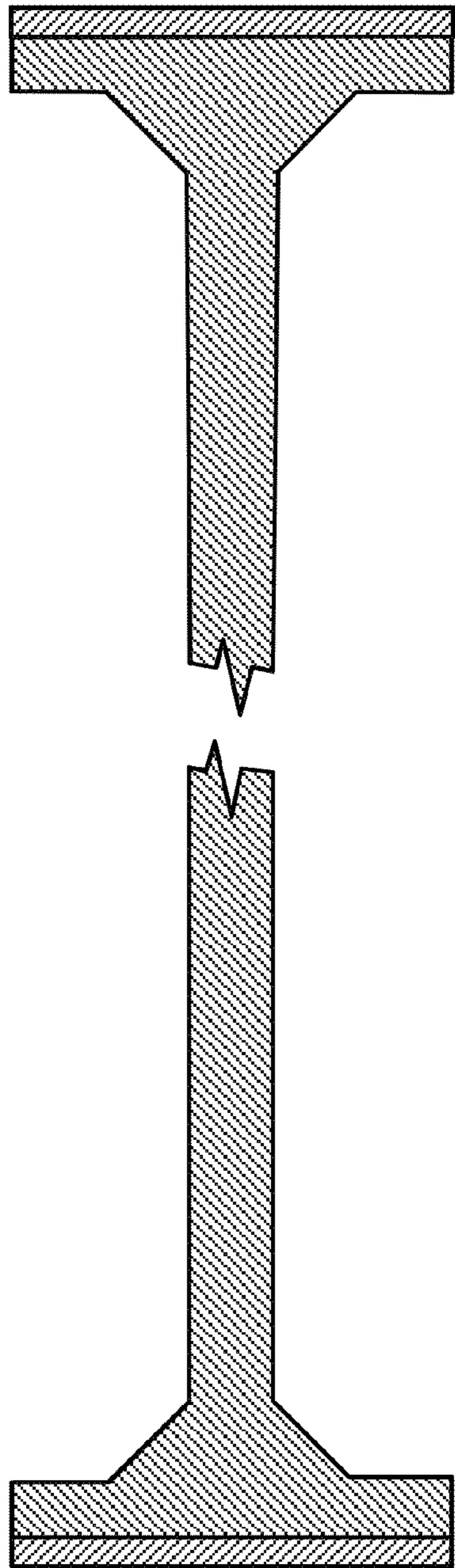
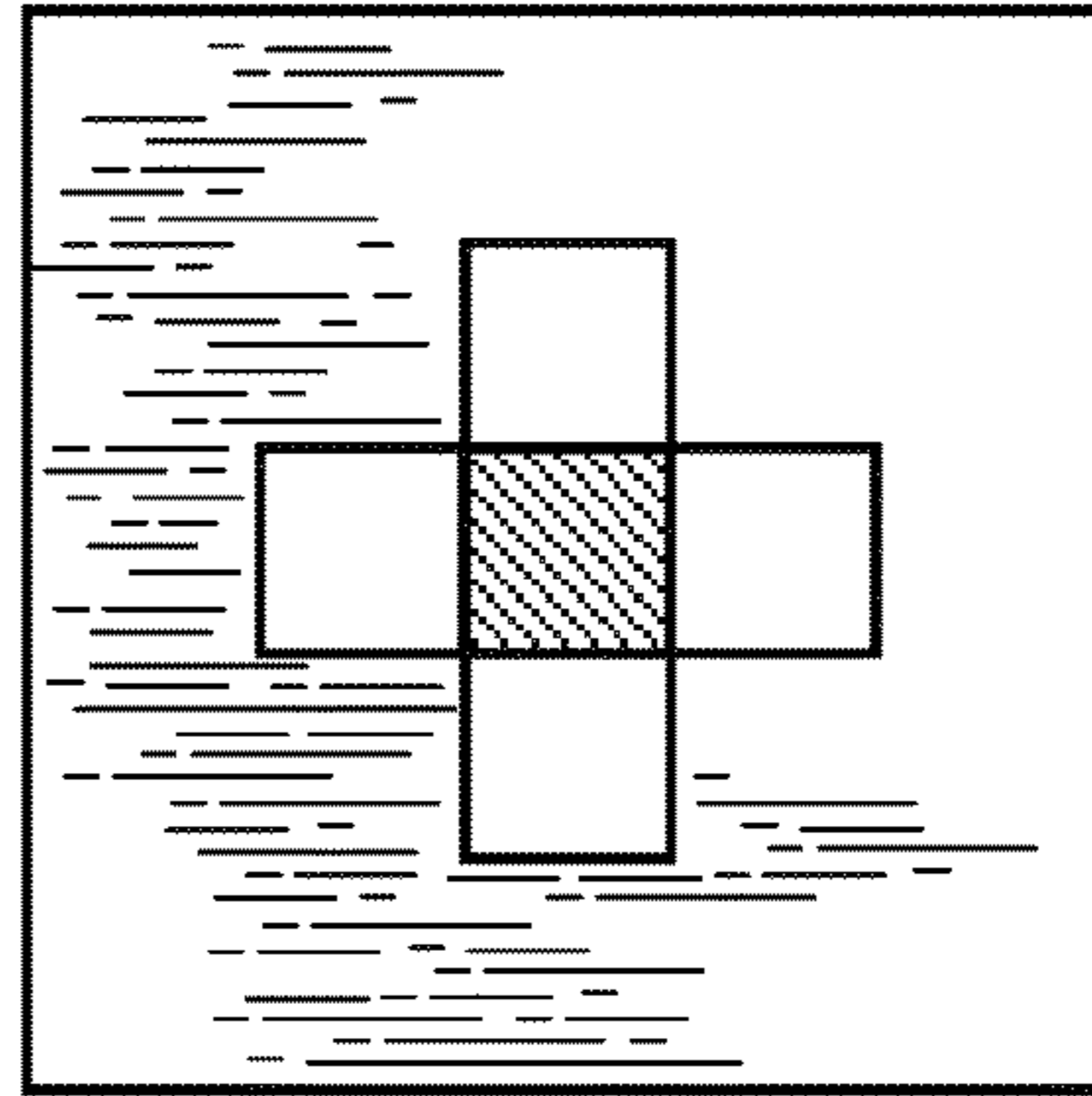


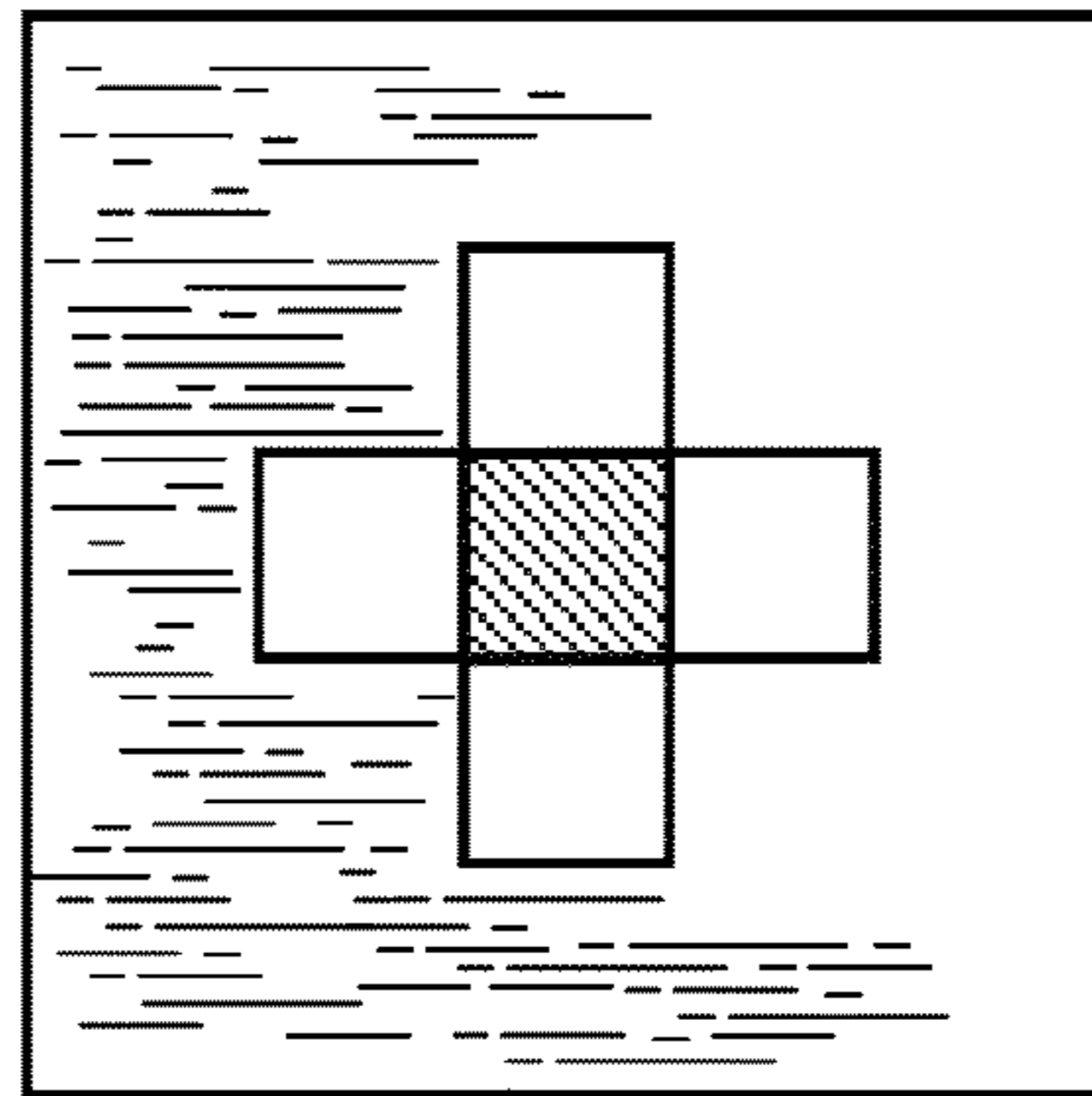
FIG 4



**FIG 5**



**FIG 6**



**FIG 7**