



US00D700809S

(12) **United States Design Patent**
Dewolf et al.

(10) **Patent No.:** **US D700,809 S**
(45) **Date of Patent:** **** Mar. 11, 2014**

(54) **PORTABLE CADDY**

248/286.06, 286.09, 311.2, 331, 332;
211/13.1, 49.1, 71.01, 74, 131.1, 78

(71) Applicants: **Mark Dewolf**, Detroit, MI (US);
Michael Tomaszewski, St. Claire
Shores, MI (US)

See application file for complete search history.

(72) Inventors: **Mark Dewolf**, Detroit, MI (US);
Michael Tomaszewski, St. Claire
Shores, MI (US)

(56) **References Cited**

U.S. PATENT DOCUMENTS

(**) Term: **14 Years**

D211,042	S	*	5/1968	Stageberg	D7/590
4,505,059	A	*	3/1985	Morris	211/131.1
D358,176	S	*	5/1995	Atkinson	D20/21
5,701,694	A	*	12/1997	Atkinson	40/493
D500,637	S	*	1/2005	Shmelzer	D7/590

(21) Appl. No.: **29/440,720**

* cited by examiner

(22) Filed: **Dec. 26, 2012**

Primary Examiner — Terry Wallace

Related U.S. Application Data

(74) *Attorney, Agent, or Firm* — Cantor Colburn LLP

(60) Continuation of application No. 29/408,497, filed on
Dec. 13, 2011, now Pat. No. Des. 673,427, which is a
division of application No. 29/378,209, filed on Nov.
1, 2010, now Pat. No. Des. 651,858, which is a division
of application No. 29/302,014, filed on Jan. 8, 2008,
now Pat. No. Des. 626,381.

(57) **CLAIM**

We claim, the ornamental design for a portable caddy, as
shown and described.

(51) **LOC (10) Cl.** **07-07**

DESCRIPTION

(52) **U.S. Cl.**

USPC **D7/600.1**

FIG. 1 is a perspective view of a portable caddy showing our
new design, the broken lines are for illustrative purposes only
and form no part of the claimed design.

(58) **Field of Classification Search**

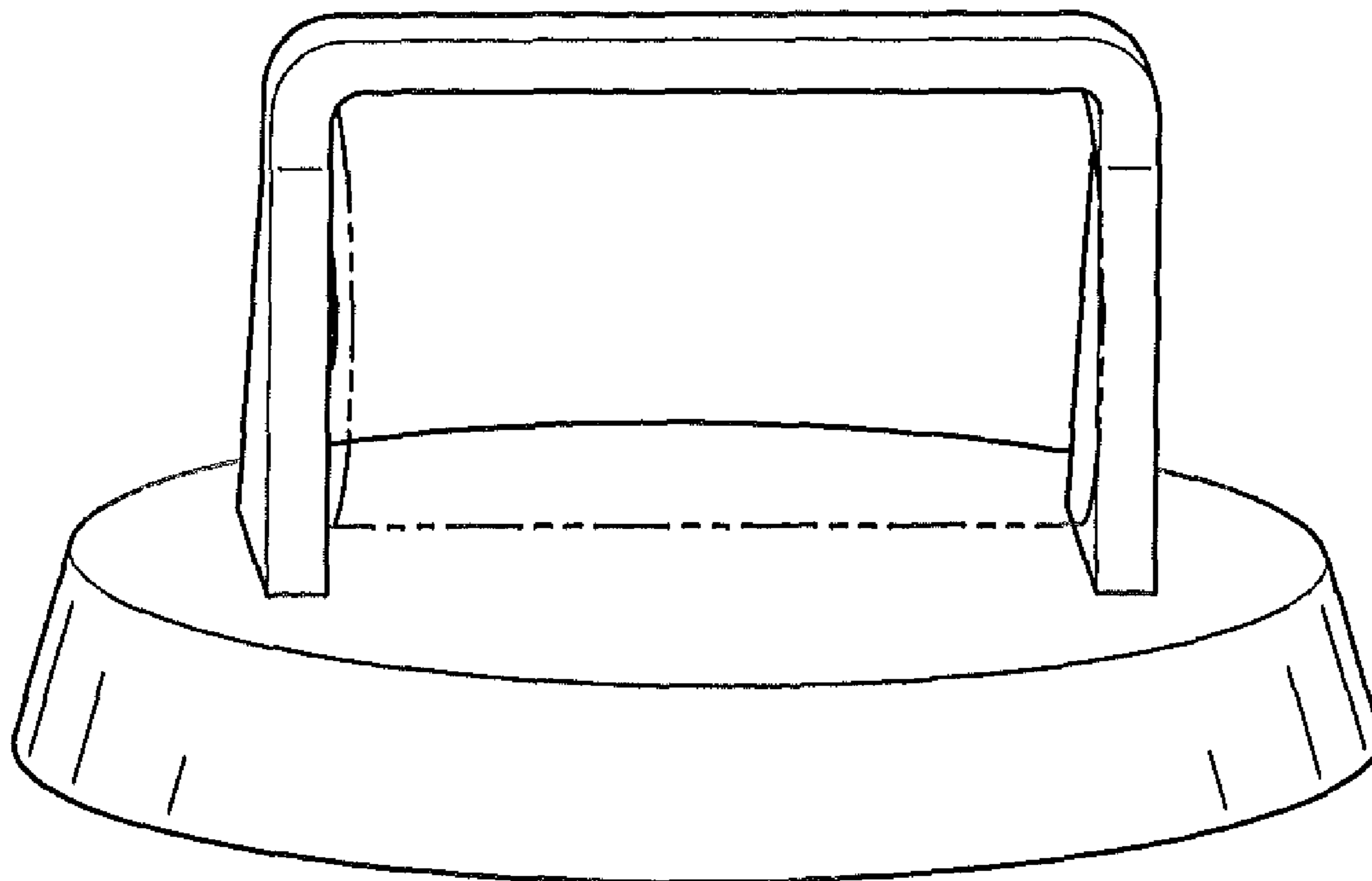
USPC D7/601, 600.1–600.4, 701–707, 590,
D7/592; D6/467, 470; D20/10, 19, 21, 99;
40/661.02, 427, 453, 493, 541, 124.2;

FIG. 2 is a front view thereof.

FIG. 3 is a top plan view thereof; and,

FIG. 4 is a side view thereof, wherein the opposite side view
is a mirror image thereof.

1 Claim, 1 Drawing Sheet



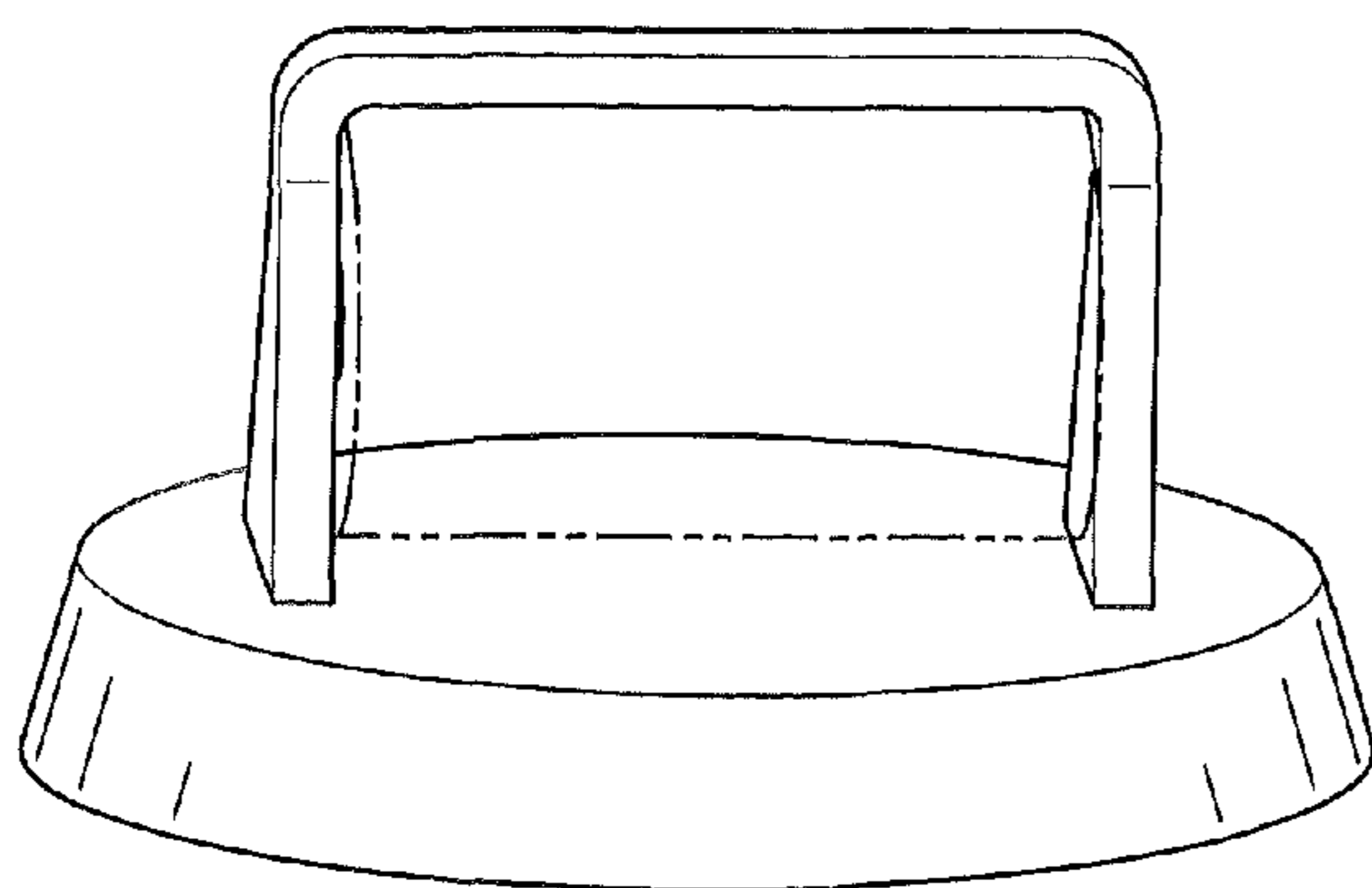


FIG. 1

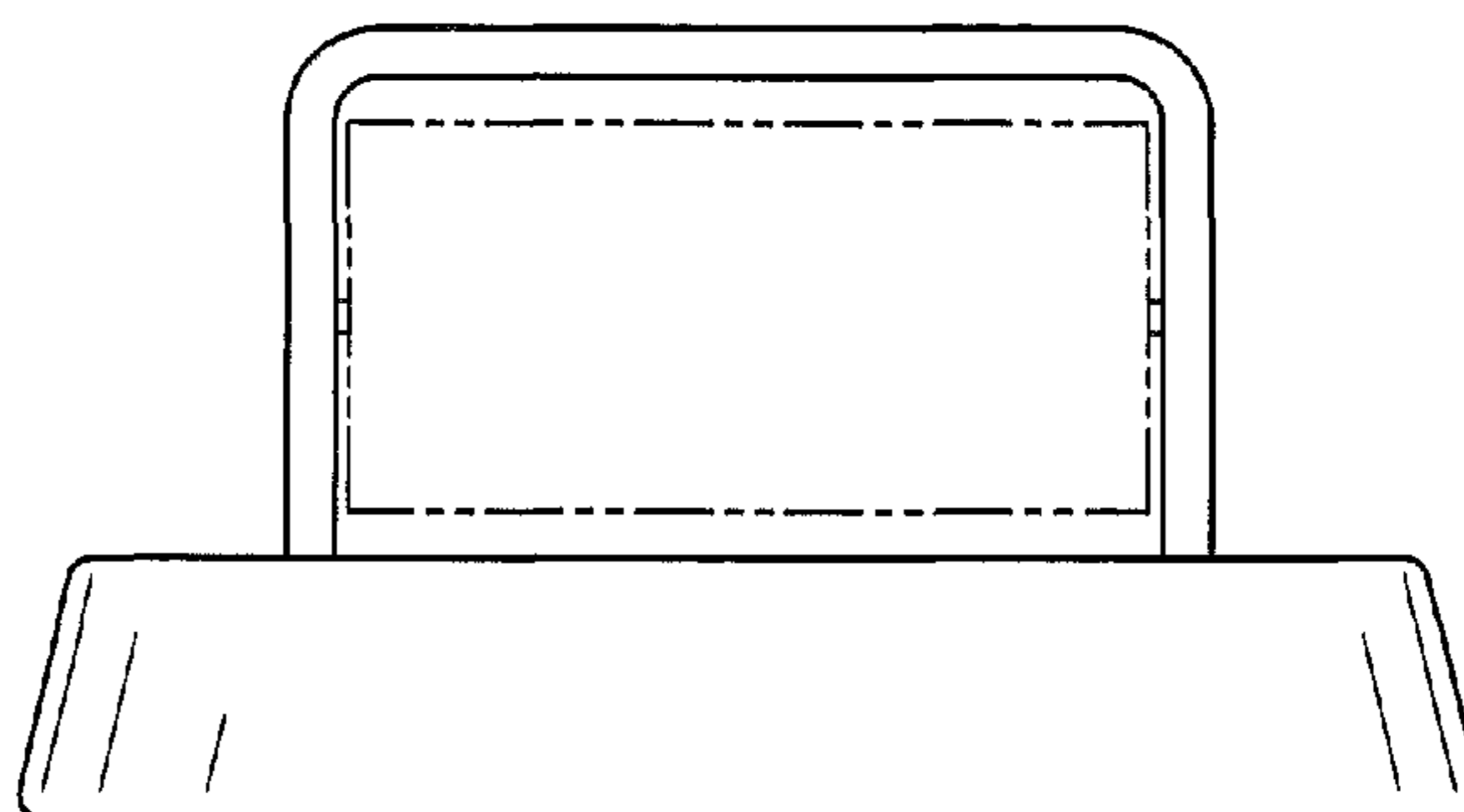


FIG. 2

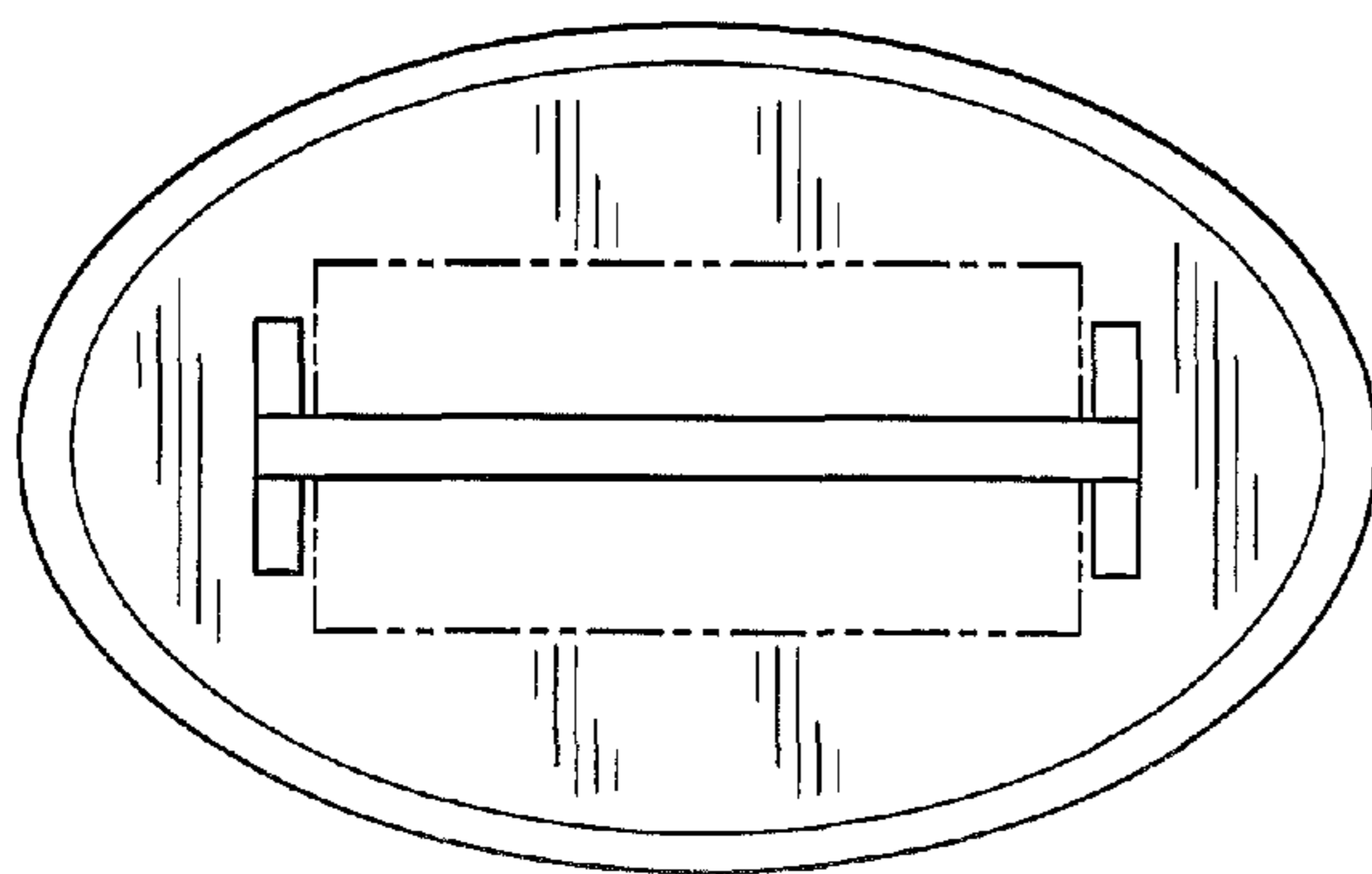


FIG. 3

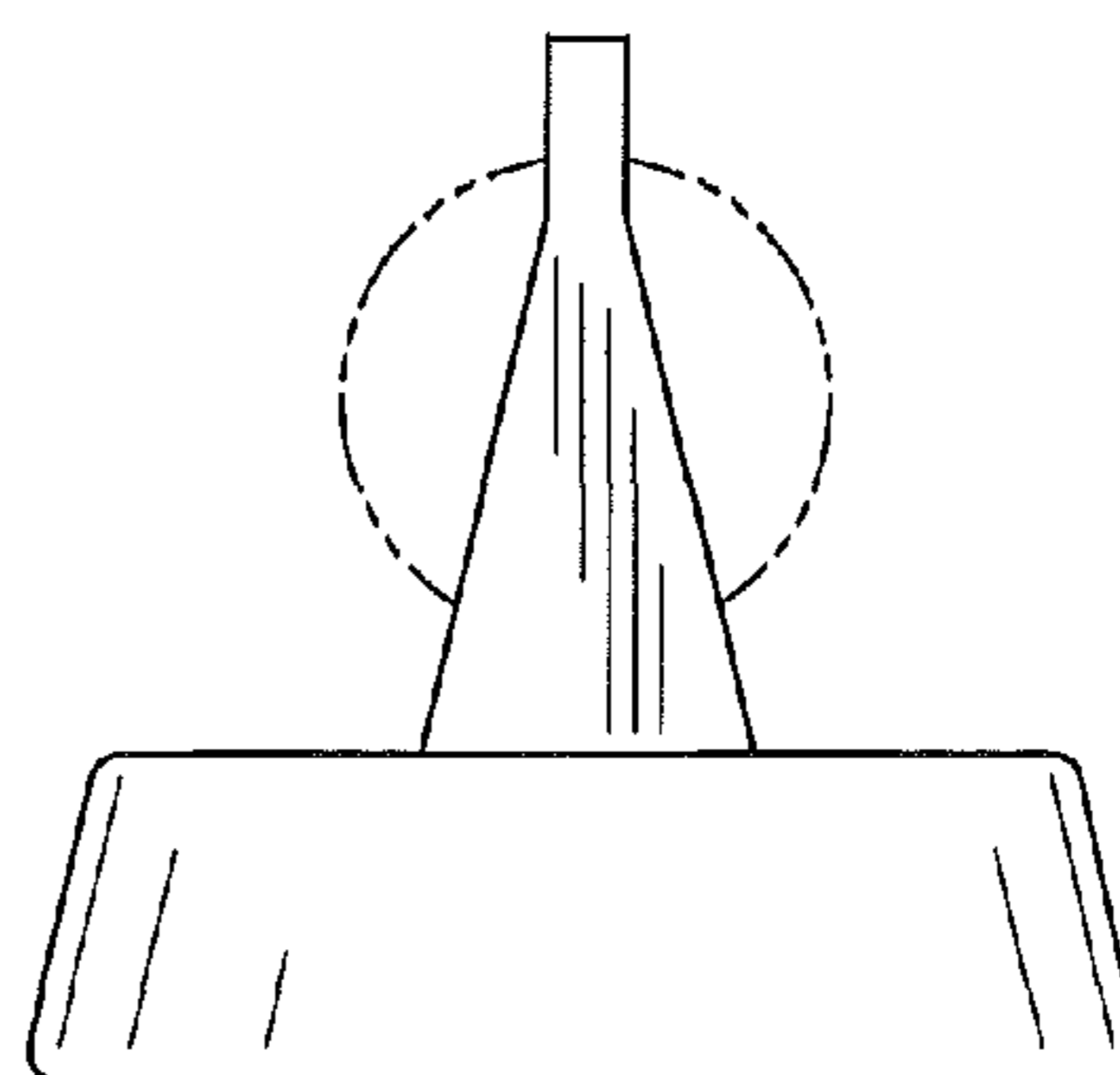


FIG. 4