



US00D700805S

(12) **United States Design Patent**
Coakley et al.

(10) **Patent No.:** **US D700,805 S**
(45) **Date of Patent:** **** Mar. 11, 2014**

(54) **CONTROL PANEL**

(71) Applicant: **Euro-Pro Operating LLC**, Newton, MA (US)

(72) Inventors: **Devin Joseph Coakley**, Bellingham, MA (US); **Mark Allen Nichols**, Newton Highlands, MA (US)

(73) Assignee: **Euro-Pro Operating LLC**, Newton, MA (US)

(**) Term: **14 Years**

(21) Appl. No.: **29/447,072**

(22) Filed: **Feb. 28, 2013**

(51) **LOC (10) Cl.** **31-00**

(52) **U.S. Cl.**
USPC **D7/412**

(58) **Field of Classification Search**
USPC D7/665-667, 412, 376-386; 241/92, 241/101.1-101.7, 285.1-285.3; 99/501-513, 495, 499, 348, 357, 349, 99/369, 370; 366/98, 142, 197-211, 366/241-254, 279-292, 341-347; 100/213, 100/218, 283, 288

See application file for complete search history.

(56) **References Cited**

U.S. PATENT DOCUMENTS

D249,441 S * 9/1978 Fukumoto et al. D7/665
D290,677 S * 7/1987 Stutzer et al. D7/384

D318,402 S * 7/1991 Barrault D7/665
D333,412 S * 2/1993 Levin D7/665
D369,530 S * 5/1996 Risse D7/665
D475,582 S * 6/2003 To D7/665
D528,873 S * 9/2006 Hensel D7/665
D565,363 S * 4/2008 Fouquet D7/666
2011/0083566 A1 * 4/2011 Backus 99/511

* cited by examiner

Primary Examiner — Terry Wallace

(74) *Attorney, Agent, or Firm* — Wolf, Greenfield & Sacks, P.C.

(57) **CLAIM**

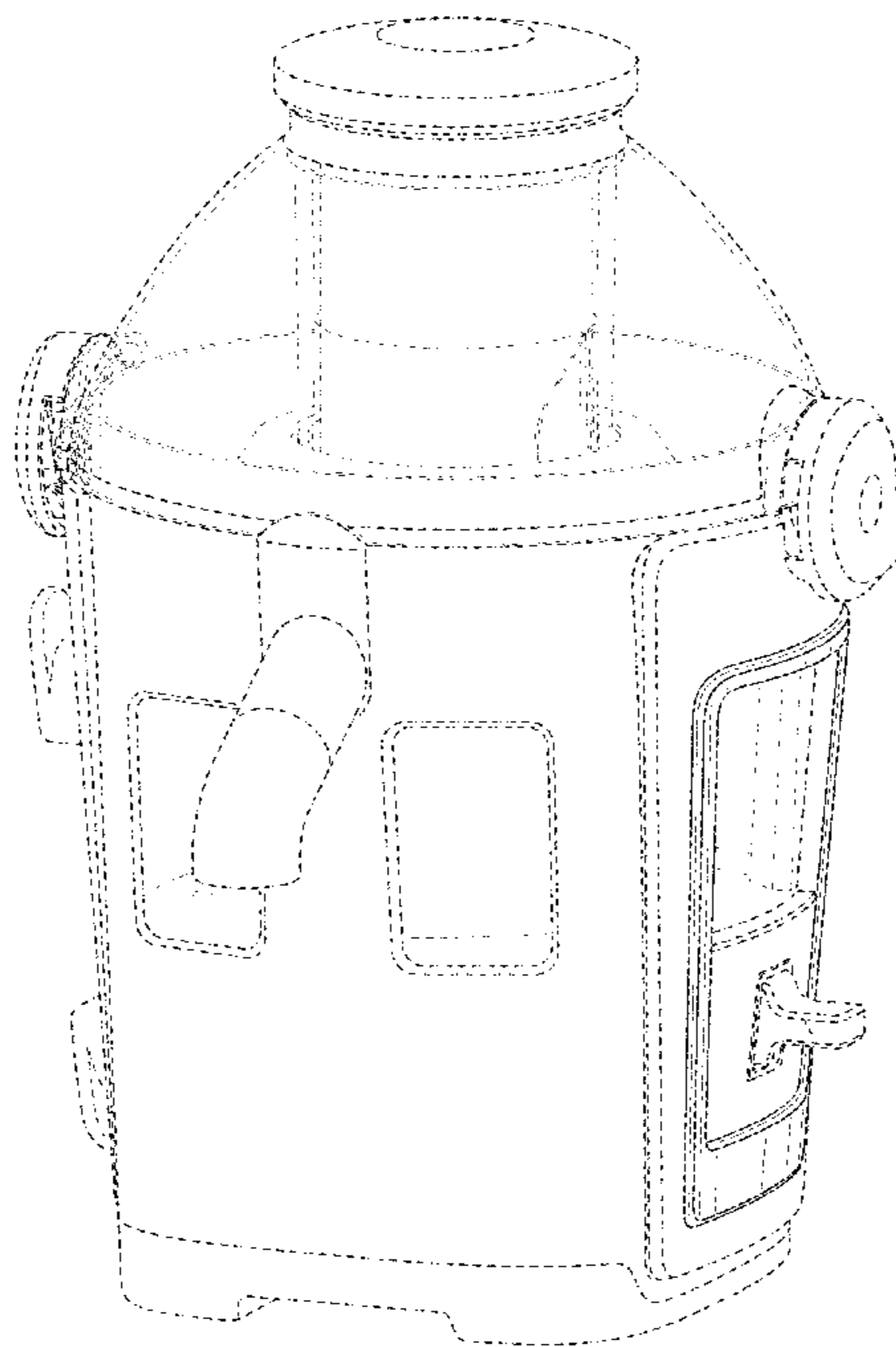
The ornamental design for a control panel, as shown and described.

DESCRIPTION

FIG. 1 is a top, front, right side perspective view of a control panel showing our new design;
FIG. 2 is a front elevational view thereof;
FIG. 3 is a rear elevational view thereof;
FIG. 4 is a left side elevational view thereof;
FIG. 5 is a right side elevational view thereof;
FIG. 6 is a top plan view thereof; and,
FIG. 7 is a bottom plan view thereof.

The broken lines showing a switch within the control panel illustrate portions of the control panel and form no part of the claimed design. The remaining broken lines illustrate environmental matter and form no part of the claimed design.

1 Claim, 7 Drawing Sheets



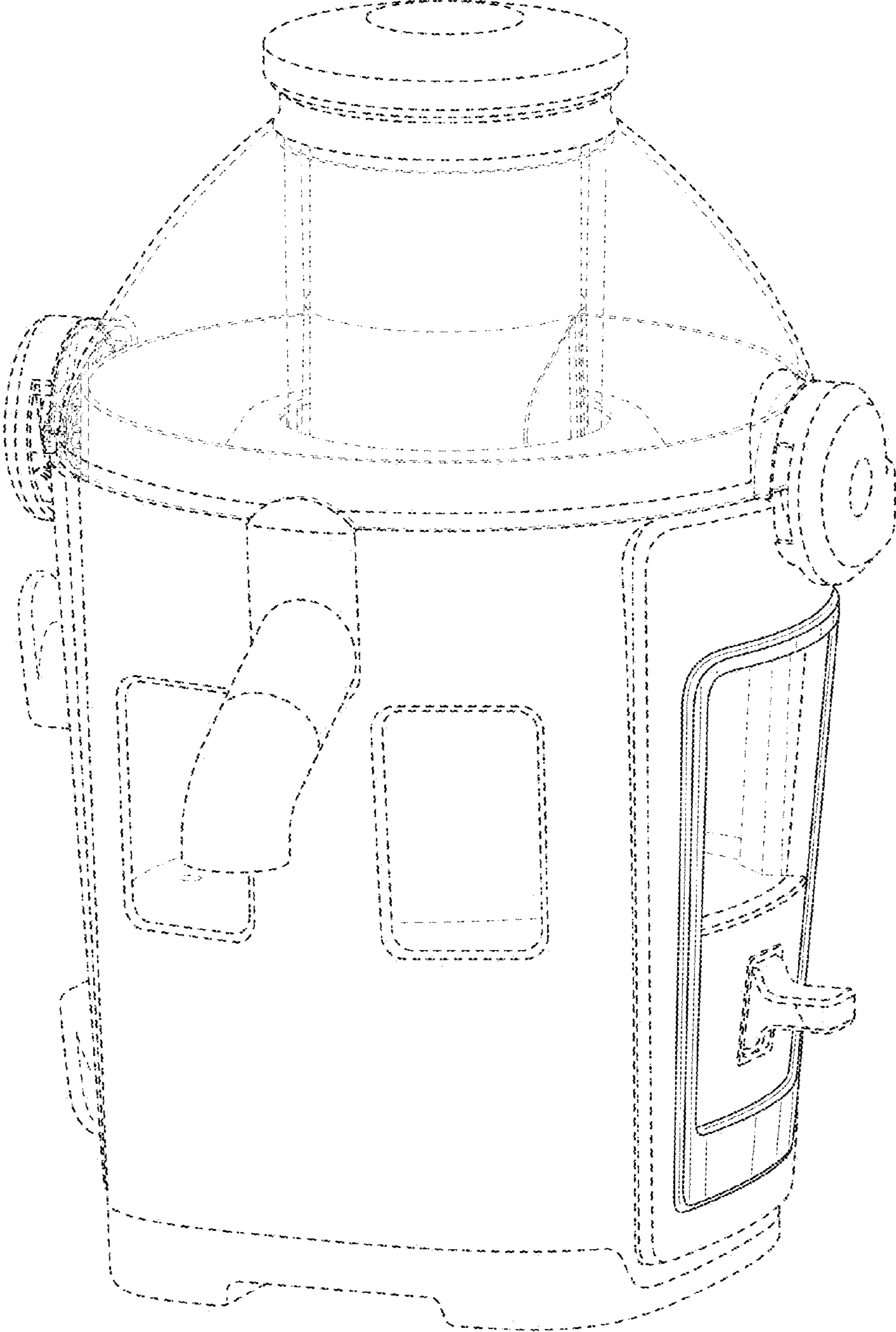


FIG. 1

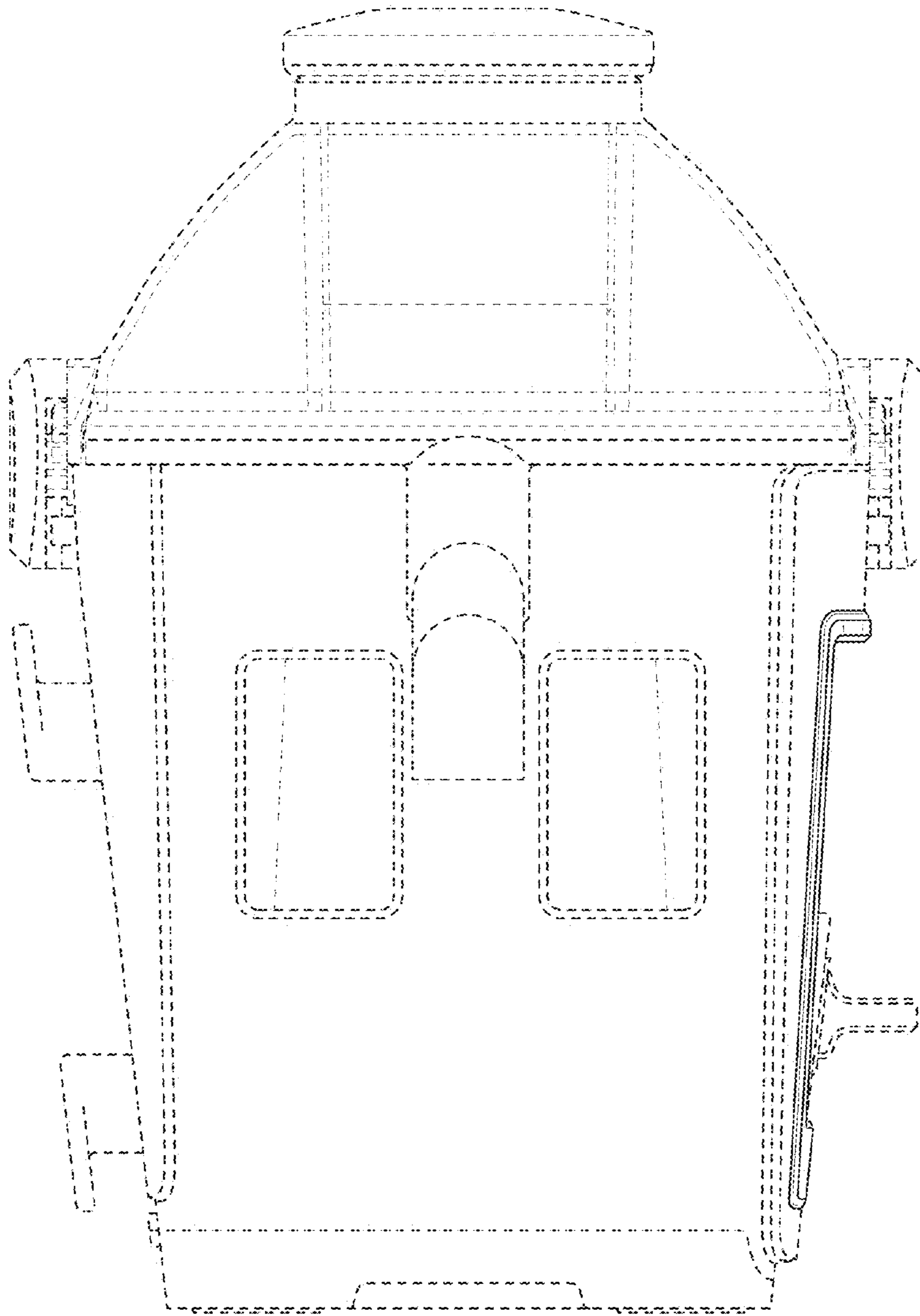


FIG. 2

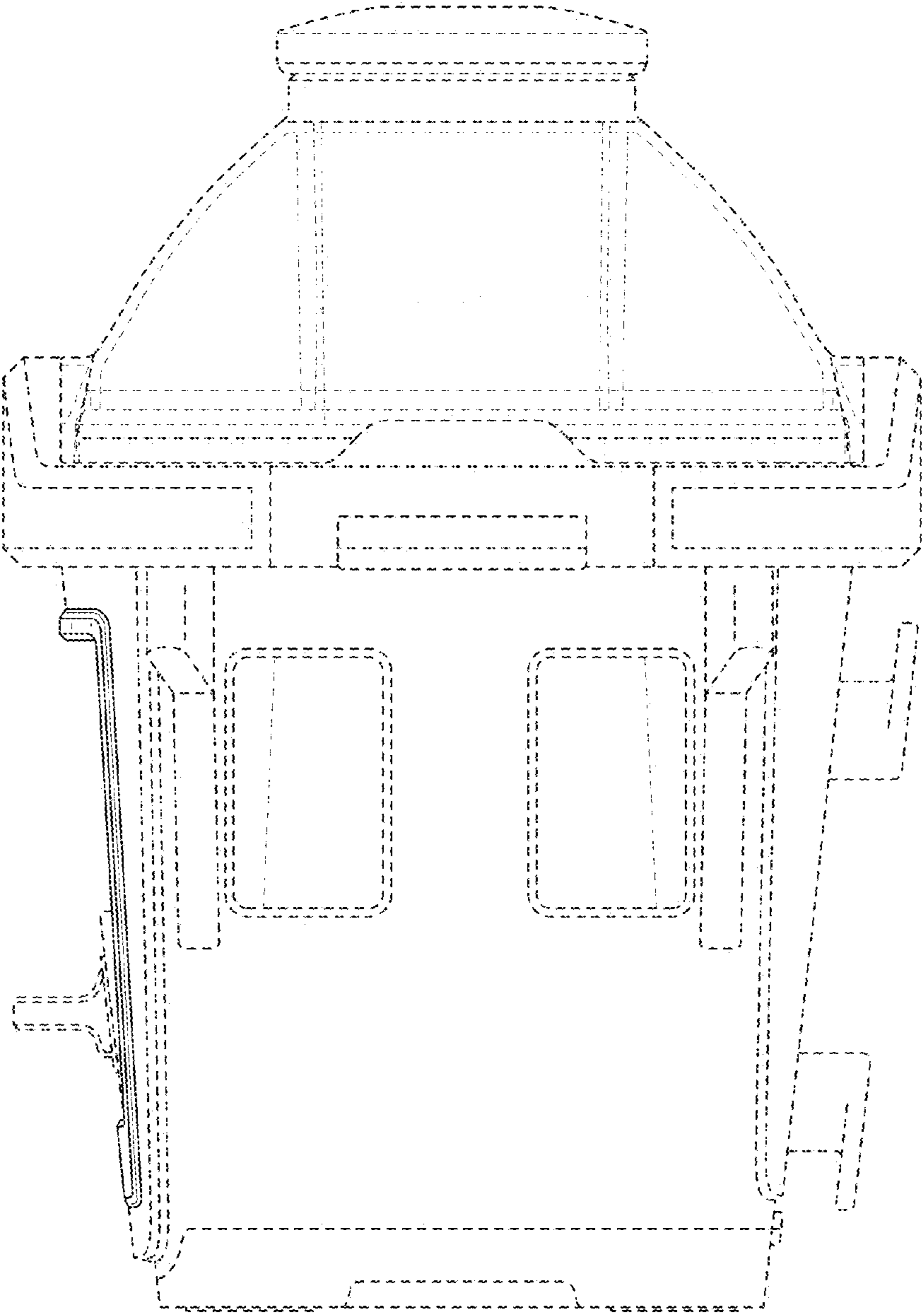


FIG. 3

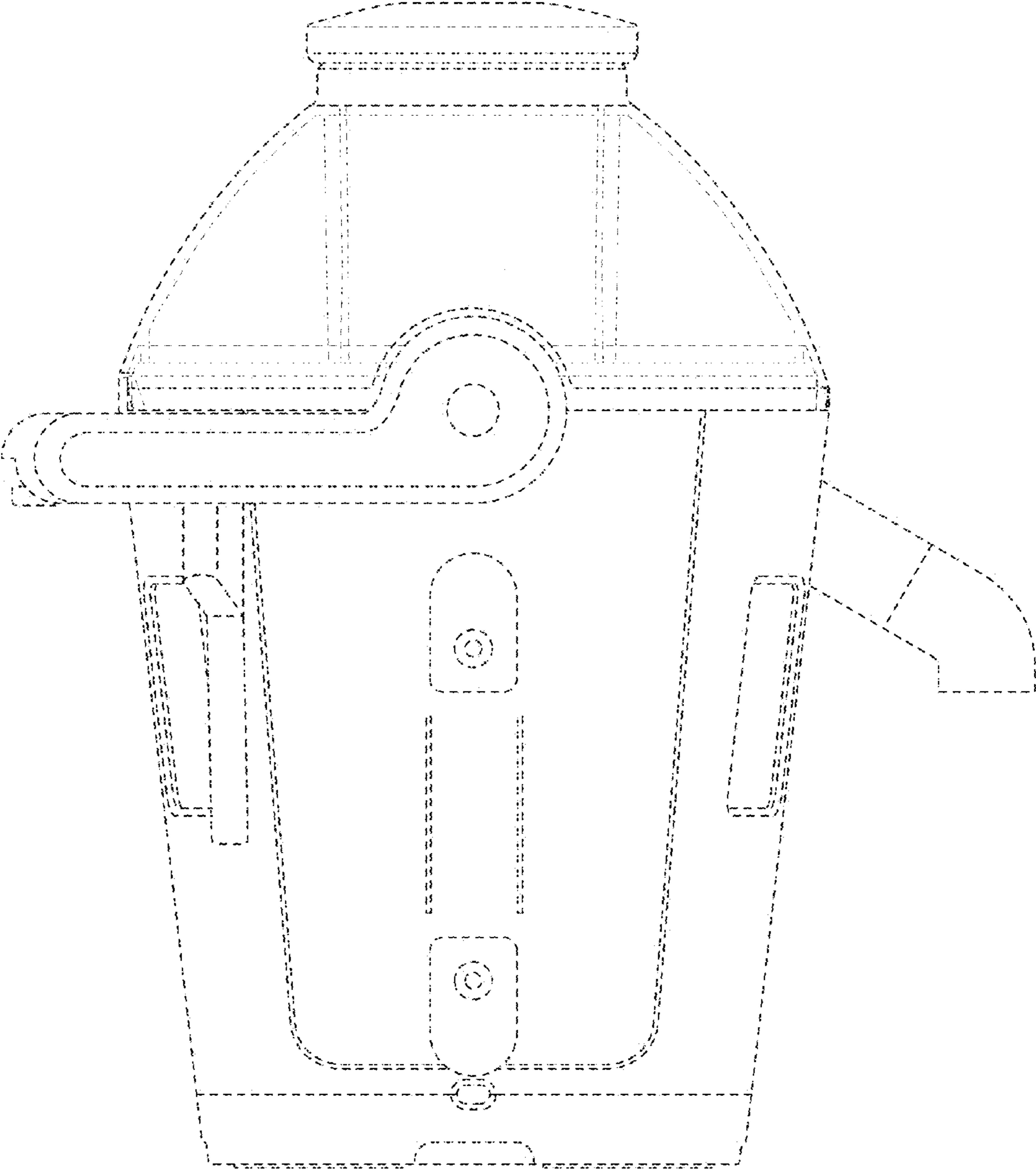


FIG. 4

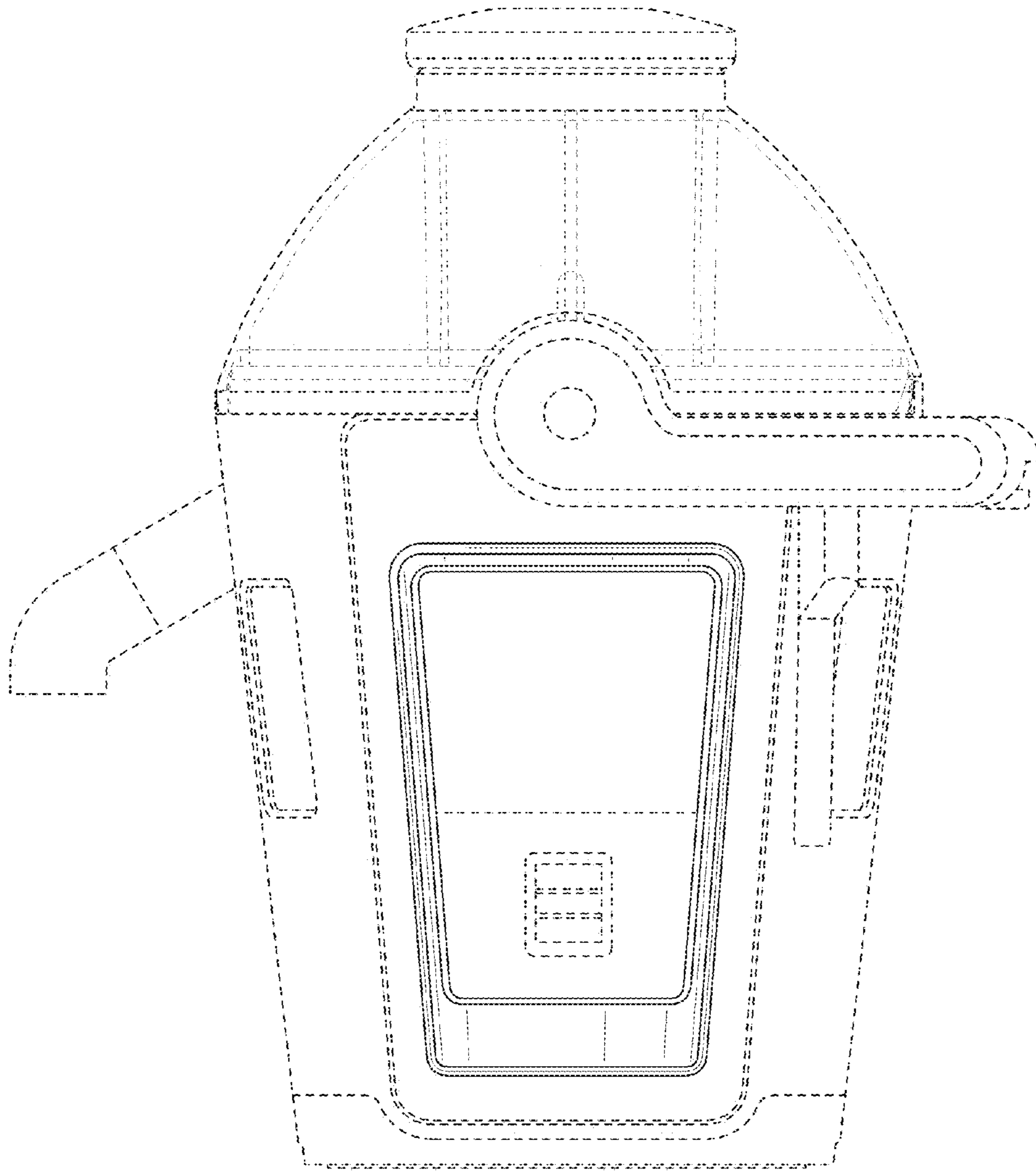


FIG. 5

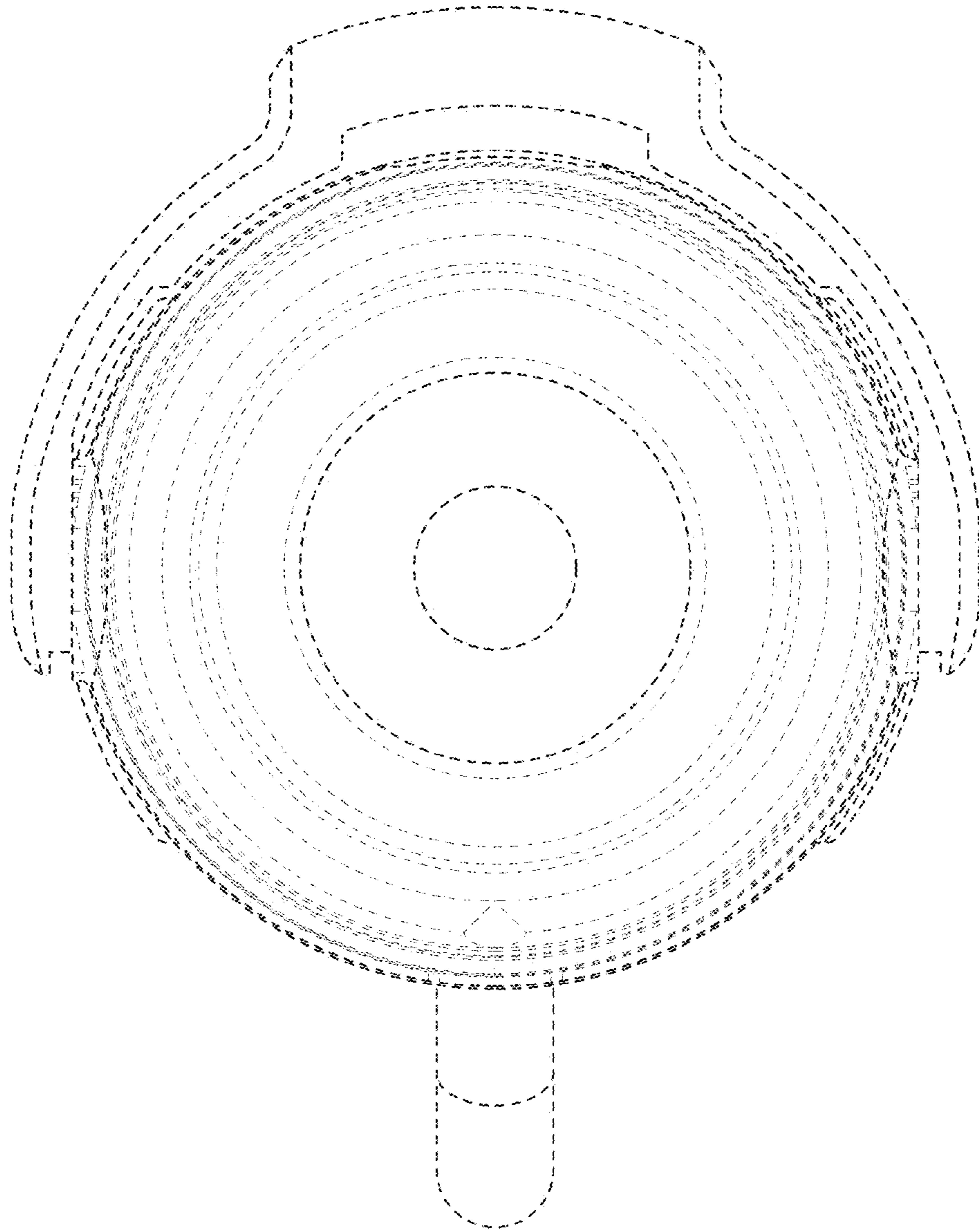


FIG. 6

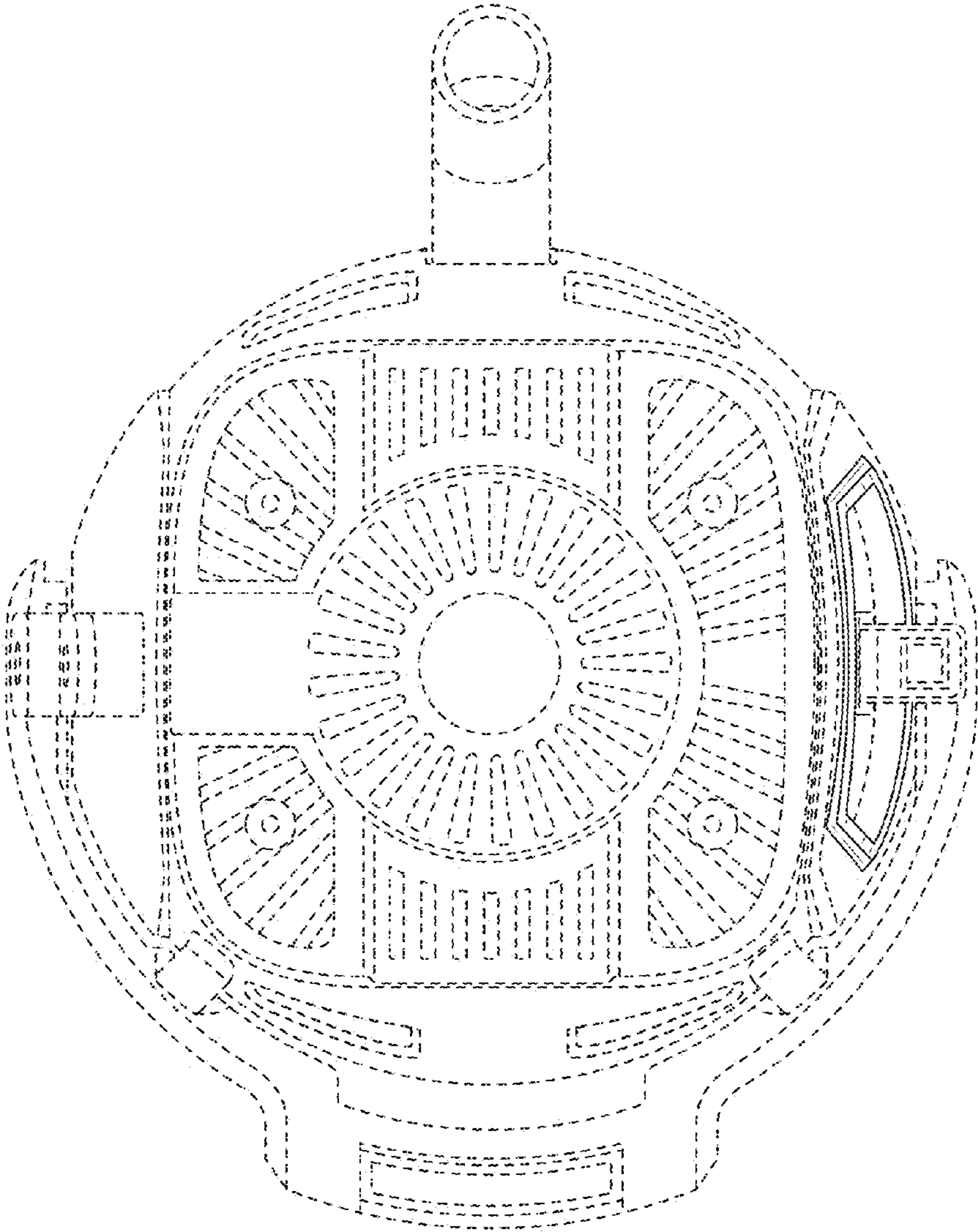


FIG. 7