



US00D700803S

(12) **United States Design Patent**
Hamlin

(10) **Patent No.:** **US D700,803 S**
(45) **Date of Patent:** **** Mar. 11, 2014**

(54) **GRIDDLE PLATE**

(71) Applicant: **Edward W. Hamlin**, Altamonte Springs,
FL (US)

(72) Inventor: **Edward W. Hamlin**, Altamonte Springs,
FL (US)

(**) Term: **14 Years**

(21) Appl. No.: **29/457,018**

(22) Filed: **Jun. 6, 2013**

(51) **LOC (10) Cl.** **07-02**

(52) **U.S. Cl.**
USPC **D7/409**

(58) **Field of Classification Search**
USPC D7/323, 329–337, 339, 346–347,
D7/350.1–350.4, 352–367, 387–388, 391,
D7/392.1, 393, 395, 396.1, 402, 407–410,
D7/500–505, 538–545, 552.1, 552.2,
D7/553.2, 554.2–554.3, 555, 566,
D7/584–587, 602, 629, 672–674, 698, 701,
D7/705, 708; D9/424–425, 456; D15/136;
99/324–325, 331–332, 337–349, 358,
99/369–376, 380, 389, 400–418, 421 H,
99/422–426, 444–446, 450, 483; 126/9 B,
126/25 R, 29, 30, 37 R, 41 R, 261, 275 R,
126/376.1, 378.1; 206/372, 501–505,
206/507–508, 518, 587; 211/41.1, 73, 85.4,
211/195; 219/386, 400, 405, 429–442,
219/450.1, 452.13, 460.1, 620–624, 725,
219/730–735; 220/4.21–4.24, 23.8, 315,
220/573.1–573.5, 626, 629, 675, 743, 756,
220/769, 912; 249/53 R; 426/132, 438, 441,
426/549

See application file for complete search history.

(56) **References Cited**

U.S. PATENT DOCUMENTS

D207,406 S *	4/1967	Van Meter	D7/357
4,452,419 A *	6/1984	Saleeba	249/53 R
D304,008 S *	10/1989	Hornung	D7/629
D356,803 S *	3/1995	Hupp	D15/136
D361,514 S *	8/1995	Krupa et al.	D9/456
D380,347 S *	7/1997	Norton	D7/409
D414,372 S *	9/1999	Fullmer	D7/323
D427,009 S *	6/2000	Iyengar et al.	D7/360
6,813,994 B2 *	11/2004	Williams	99/426
D532,247 S *	11/2006	Copeland	D7/354
D592,908 S *	5/2009	Hamlin	D7/409
D630,885 S *	1/2011	Stein	D7/357
D689,731 S *	9/2013	Dorion	D7/354

* cited by examiner

Primary Examiner — Ricky Pham

(74) *Attorney, Agent, or Firm* — William M. Hobby, III

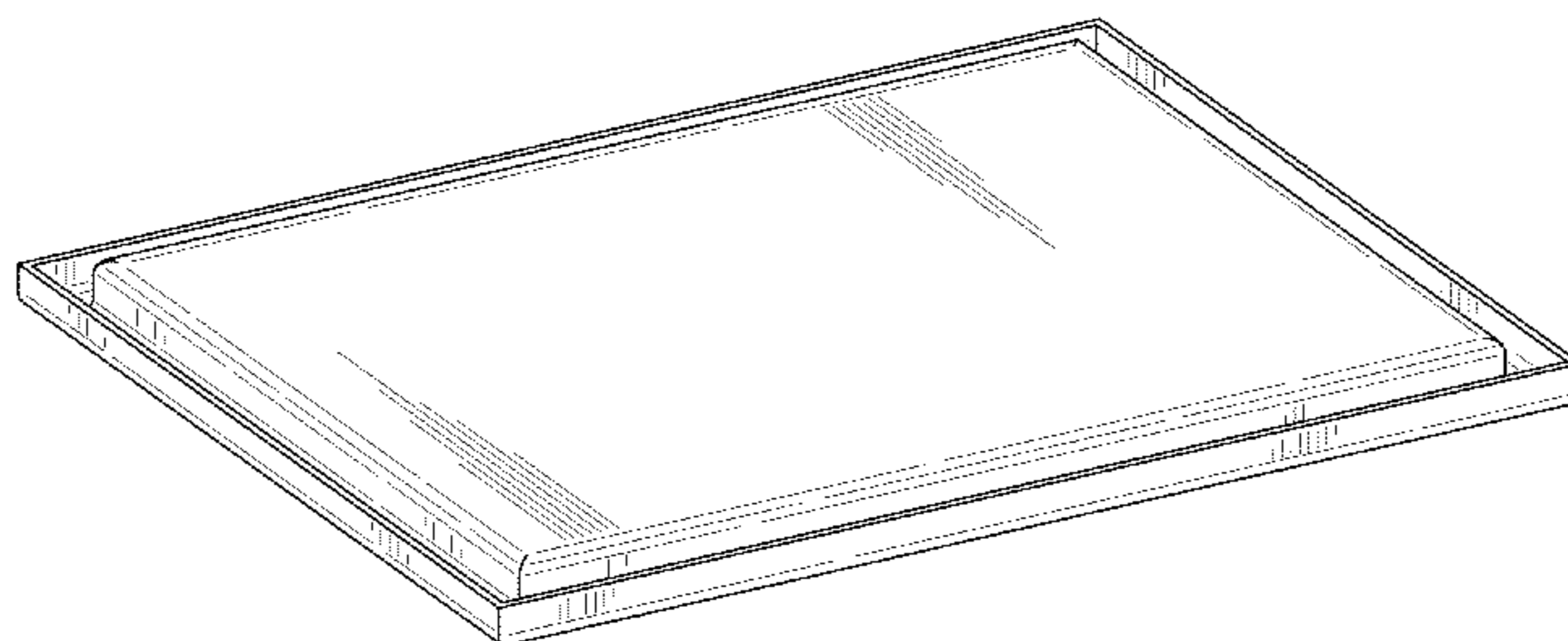
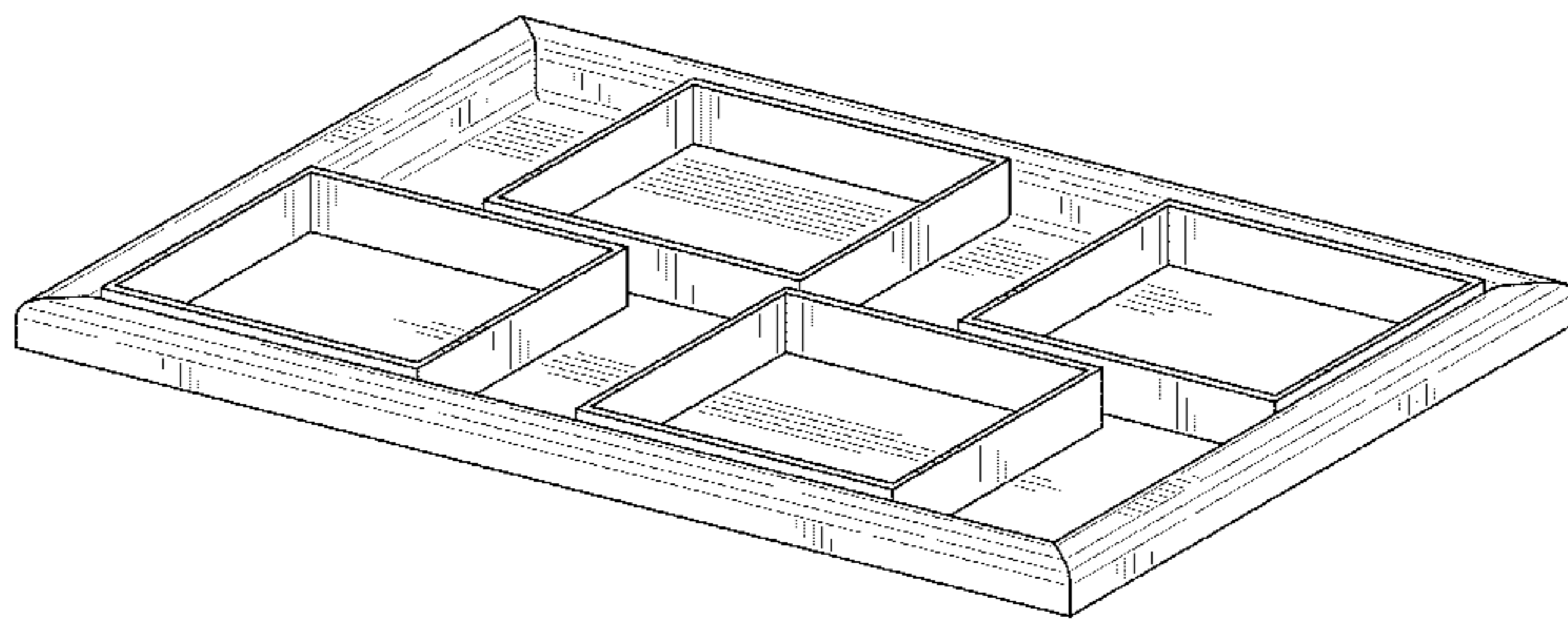
(57) **CLAIM**

The ornamental design for a griddle plate, as shown and described.

DESCRIPTION

FIG. 1 is a bottom perspective view of my new griddle plate; FIG. 2 is a top perspective view thereof; FIG. 3 is a bottom plan view thereof; FIG. 4 is a right side elevation thereof, the left side elevation being a mirror image thereof; FIG. 5 is a front elevation thereof, the rear elevation being a mirror image thereof; FIG. 6 is a top plan view thereof; FIG. 7 is a sectional view thereof taken on the line 7-7 of FIG. 3; and, FIG. 8 is a sectional view thereof taken on the line 8-8 of FIG. 3.

1 Claim, 3 Drawing Sheets



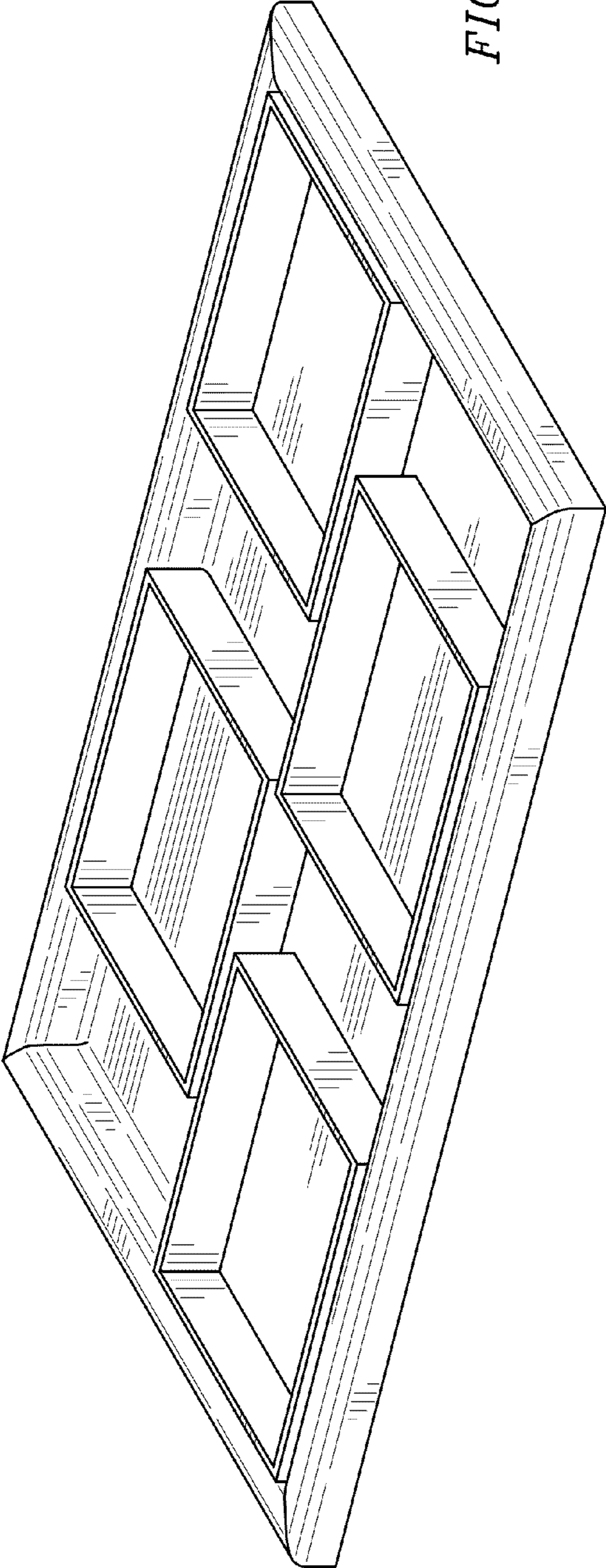


FIG. 1

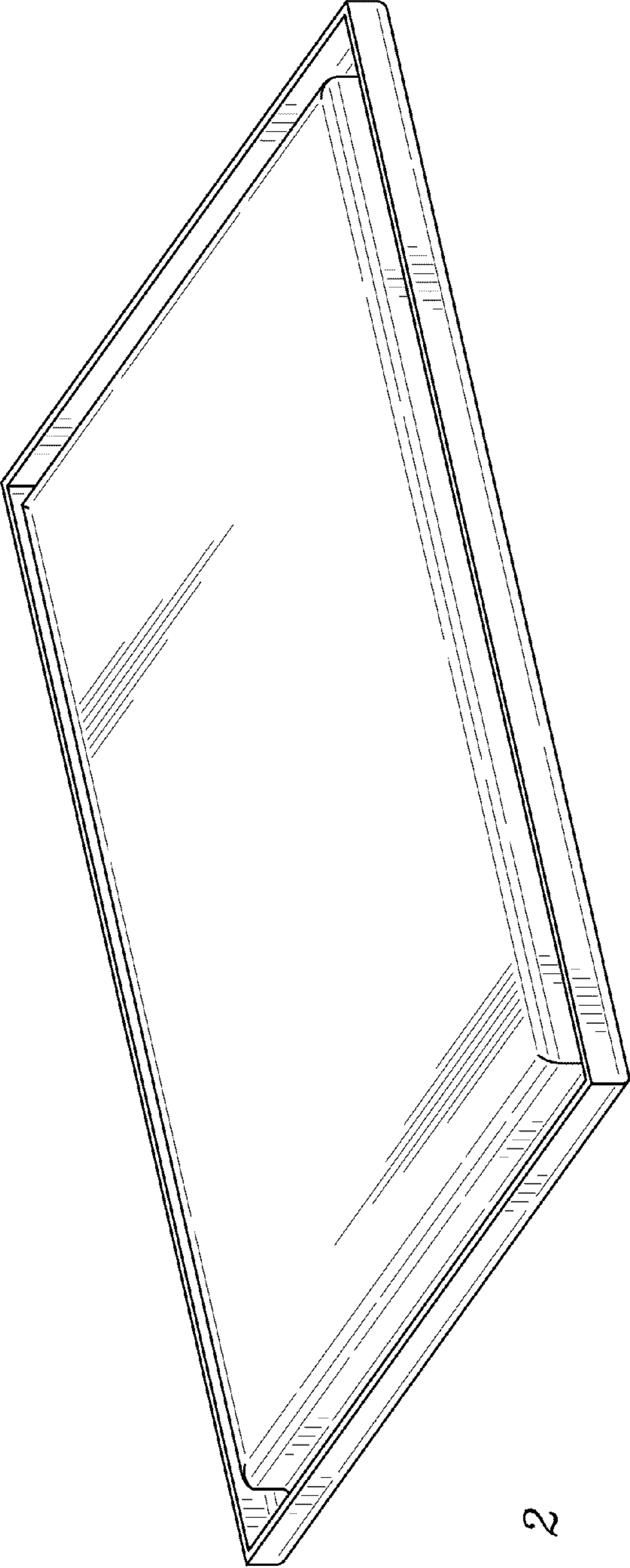


FIG. 2

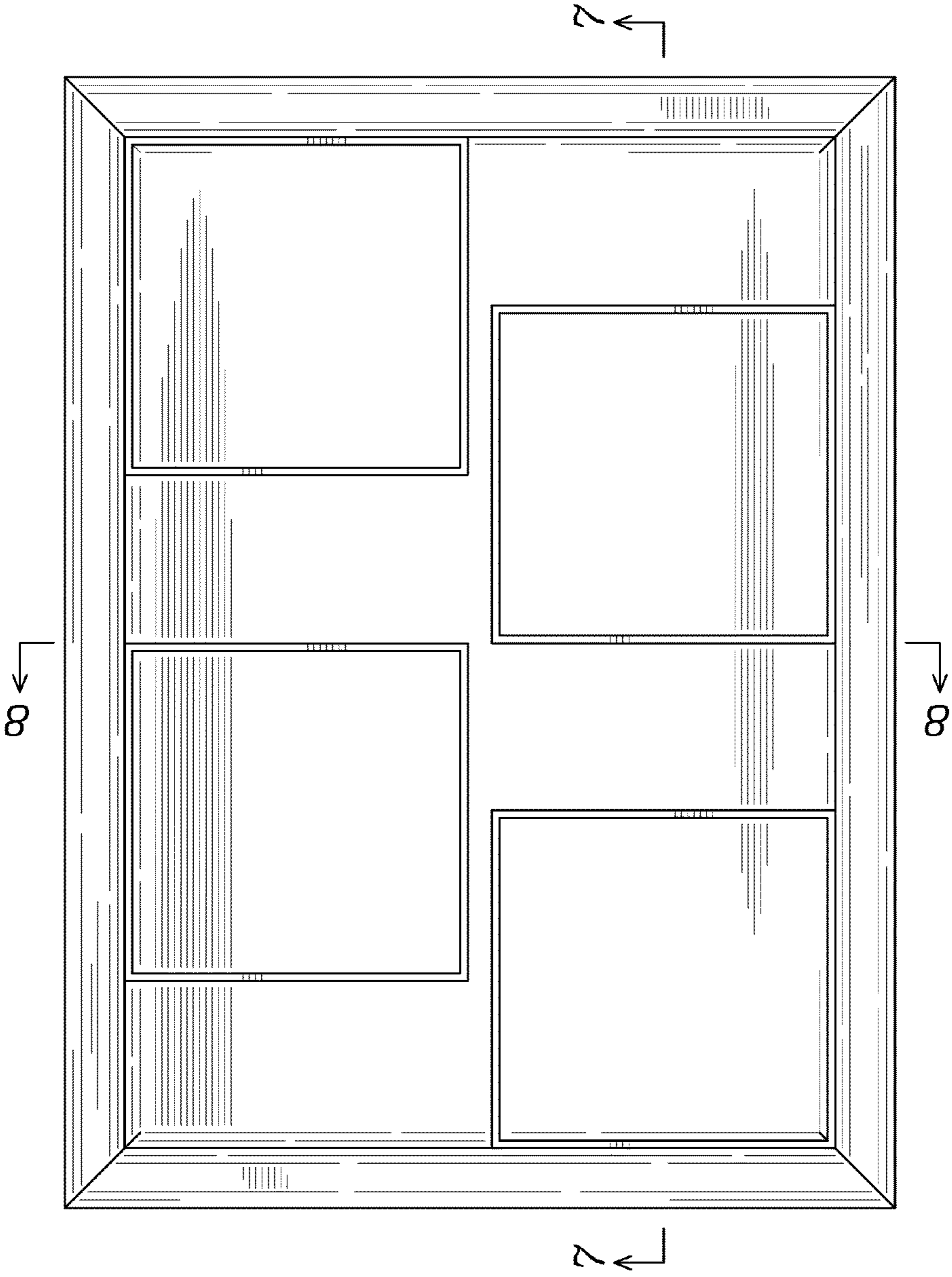


FIG. 3

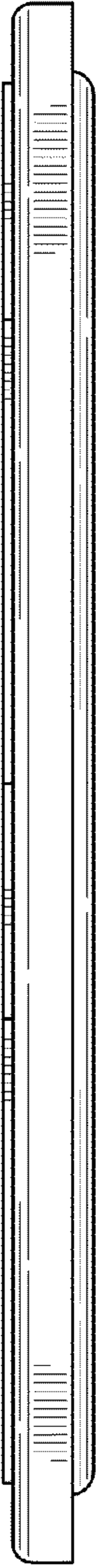


FIG. 4



FIG. 5



FIG. 6

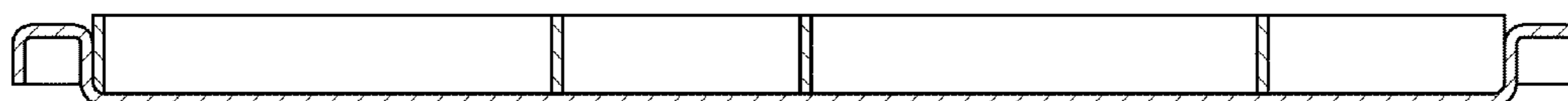


FIG. 7

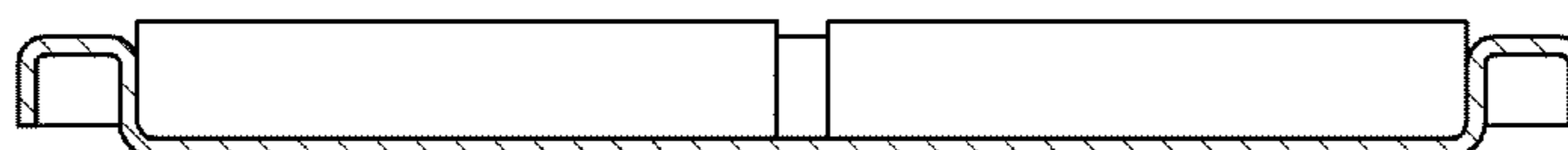


FIG. 8