



US00D700802S

(12) **United States Design Patent**
Miller

(10) **Patent No.:** **US D700,802 S**

(45) **Date of Patent:** **** Mar. 11, 2014**

(54) **BEVERAGE CONTAINER**

(71) Applicant: **Ignite USA, LLC**, Chicago, IL (US)

(72) Inventor: **Blair Miller**, Chicago, IL (US)

(73) Assignee: **Ignite USA, LLC**, Chicago, IL (US)

(**) Term: **14 Years**

(21) Appl. No.: **29/449,485**

(22) Filed: **Mar. 15, 2013**

(51) **LOC (10) Cl.** **07-02**

(52) **U.S. Cl.**
USPC **D7/392.1; D7/510; D9/449**

(58) **Field of Classification Search**
USPC **D7/391, 392, 392.1, 396, 397, 412, D7/509-511, 538, 612-615; D9/425, 432, D9/434-436, 449, 451, 560, 715-717; 206/221, 223, 542; 220/212, 254.4, 220/282, 324, 326, 360, 369, 521, 524, 526, 220/574, 784, 780, 788, 792, 793; 215/228, 215/237, 252, 273; 222/129, 143, 144.5, 222/443, 485, 544, 566, 571**

See application file for complete search history.

D661,945 S * 6/2012 Eyal D7/392.1
 D668,149 S * 10/2012 Bessinger et al. D9/436
 D671,001 S * 11/2012 Wisniewski et al. D9/449
 D672,651 S * 12/2012 Gregory et al. D9/449
 D673,040 S * 12/2012 Stephan et al. D9/449
 D675,060 S * 1/2013 Lane D7/392.1
 D686,871 S * 7/2013 Lane D7/392.1
 D686,872 S * 7/2013 Lane D7/392.1

OTHER PUBLICATIONS

<http://www.evasolo.com/en/Water-and-Decanters/EN-Drikkeflaske/502990>, Drinking Bottle, Eva Solo, dated at least as early as Mar. 15, 2013.
<http://www.oxo.com/p-1050-two-top-water-bottle.aspx#>, Two Top Water Bottle, OXO, dated at least as early as Mar. 15, 2013.

* cited by examiner

Primary Examiner — Susan E Krakower
 (74) *Attorney, Agent, or Firm* — McDermott Will & Emery LLP

(57) **CLAIM**
 The ornamental design for a beverage container, as shown and described.

DESCRIPTION

FIG. 1 is a perspective view of a beverage container according to the new design;
 FIG. 2 is a front view of the beverage container shown in FIG. 1;
 FIG. 3 is a side view of the beverage container shown in FIG. 1;
 FIG. 4 is a back view of the beverage container shown in FIG. 1;
 FIG. 5 is a top view of the beverage container shown in FIG. 1; and,
 FIG. 6 is a bottom view of the beverage container shown in FIG. 1.
 The broken lines illustrate environmental structure and form no part of the claimed design.

1 Claim, 4 Drawing Sheets

(56) **References Cited**

U.S. PATENT DOCUMENTS

D292,882 S * 11/1987 Gross D9/435
 D409,043 S * 5/1999 Lillelund et al. D7/392
 D451,023 S * 11/2001 Kitamura et al. D9/449
 D530,611 S * 10/2006 Nusbaum et al. D9/449
 D547,606 S * 7/2007 Forsman D7/396.2
 D571,147 S * 6/2008 Rohe D7/392.1
 D576,877 S * 9/2008 Alcamo et al. D9/449
 D592,012 S * 5/2009 Carreno D7/510
 D626,411 S * 11/2010 Lohrman D9/449
 D628,068 S * 11/2010 Gonzalez Sanchez et al. D9/449
 7,870,980 B2 * 1/2011 Wilson et al. 222/571
 D639,660 S * 6/2011 Carreno D9/504
 D660,704 S * 5/2012 Simmons et al. D9/504

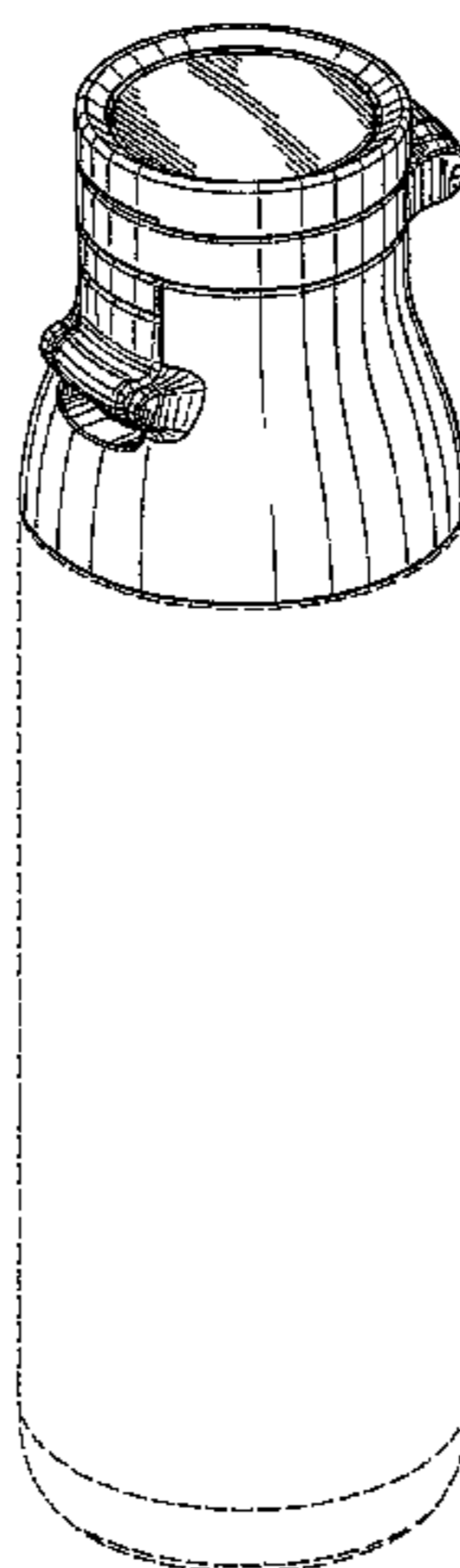


FIG. 1

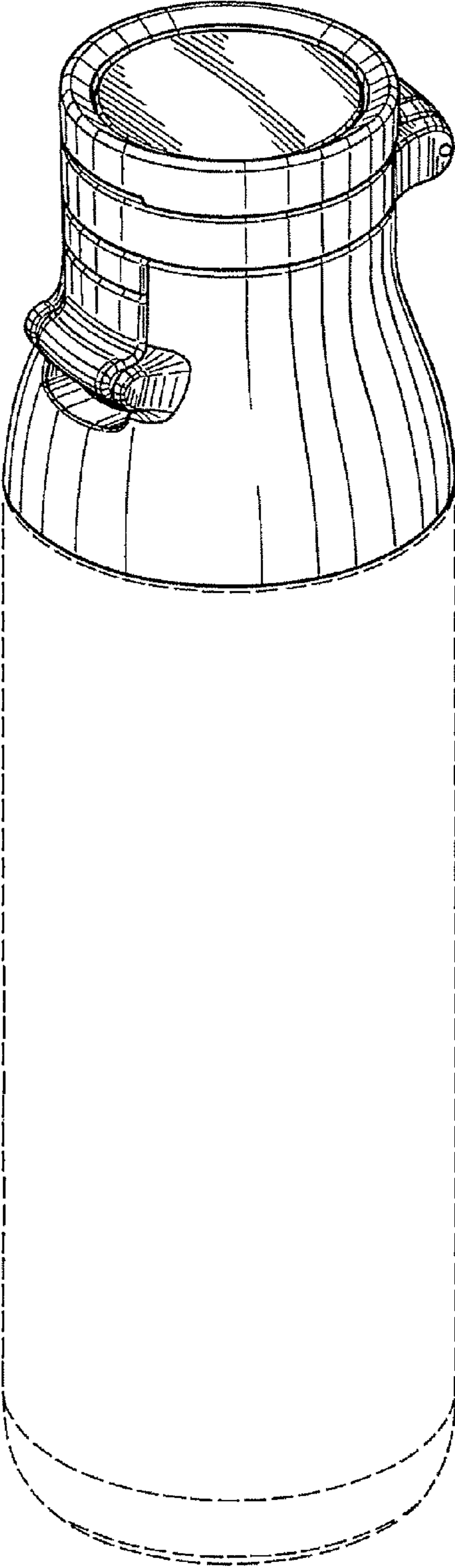


FIG. 2

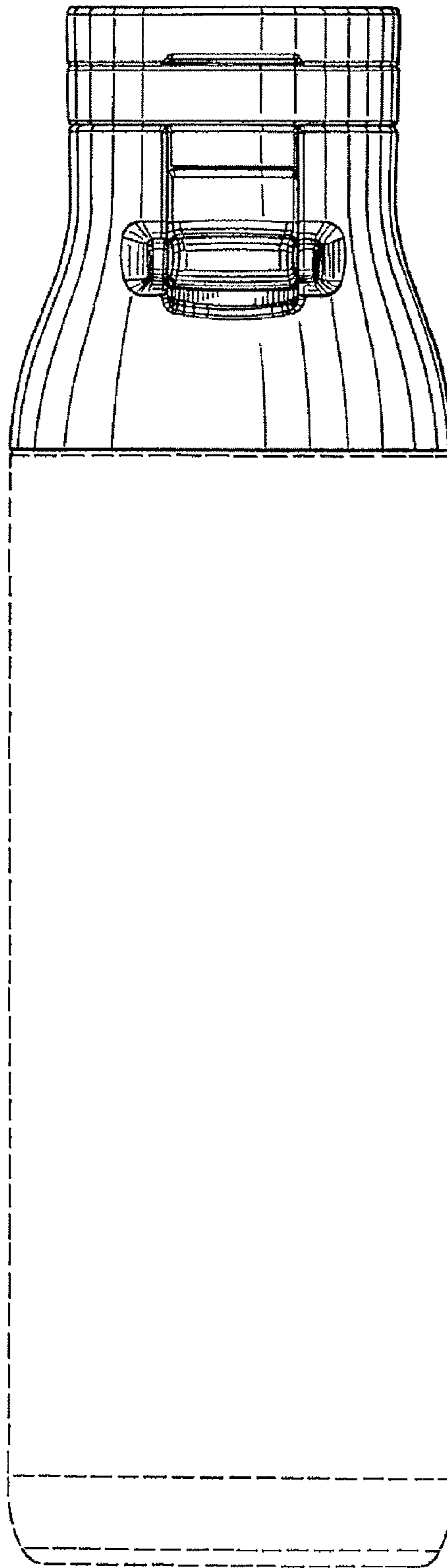
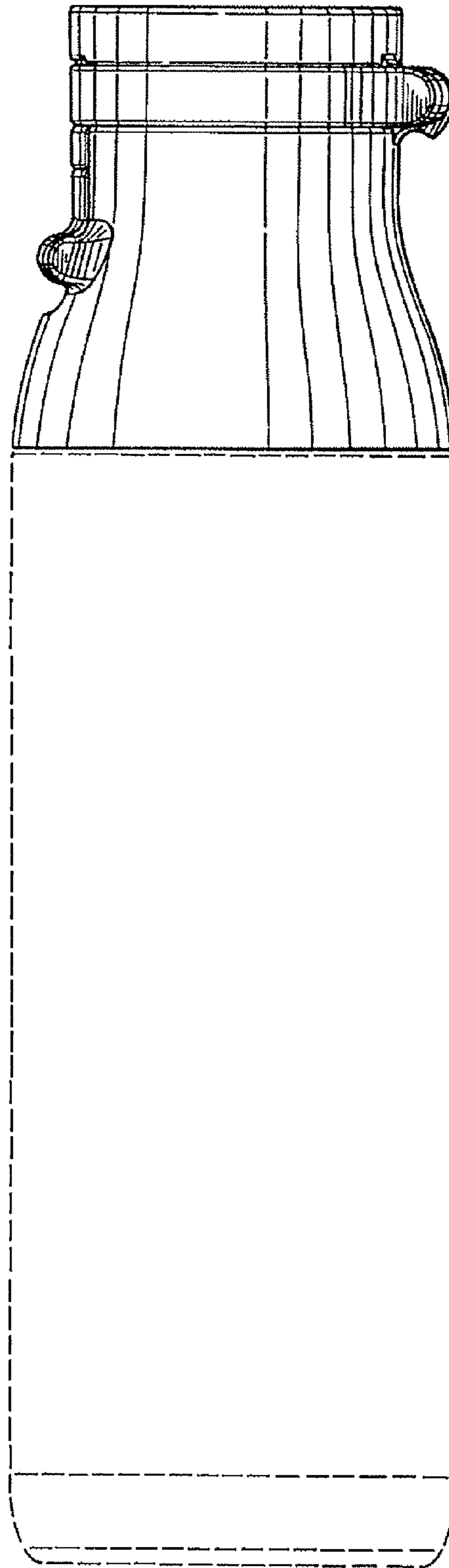


FIG. 3



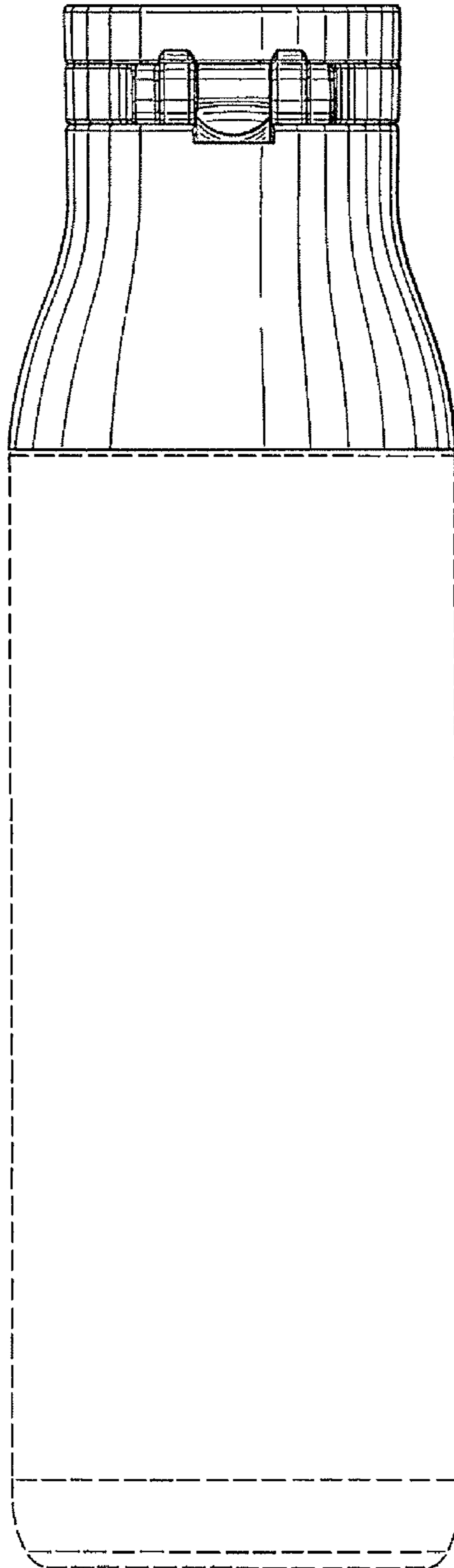


FIG. 4

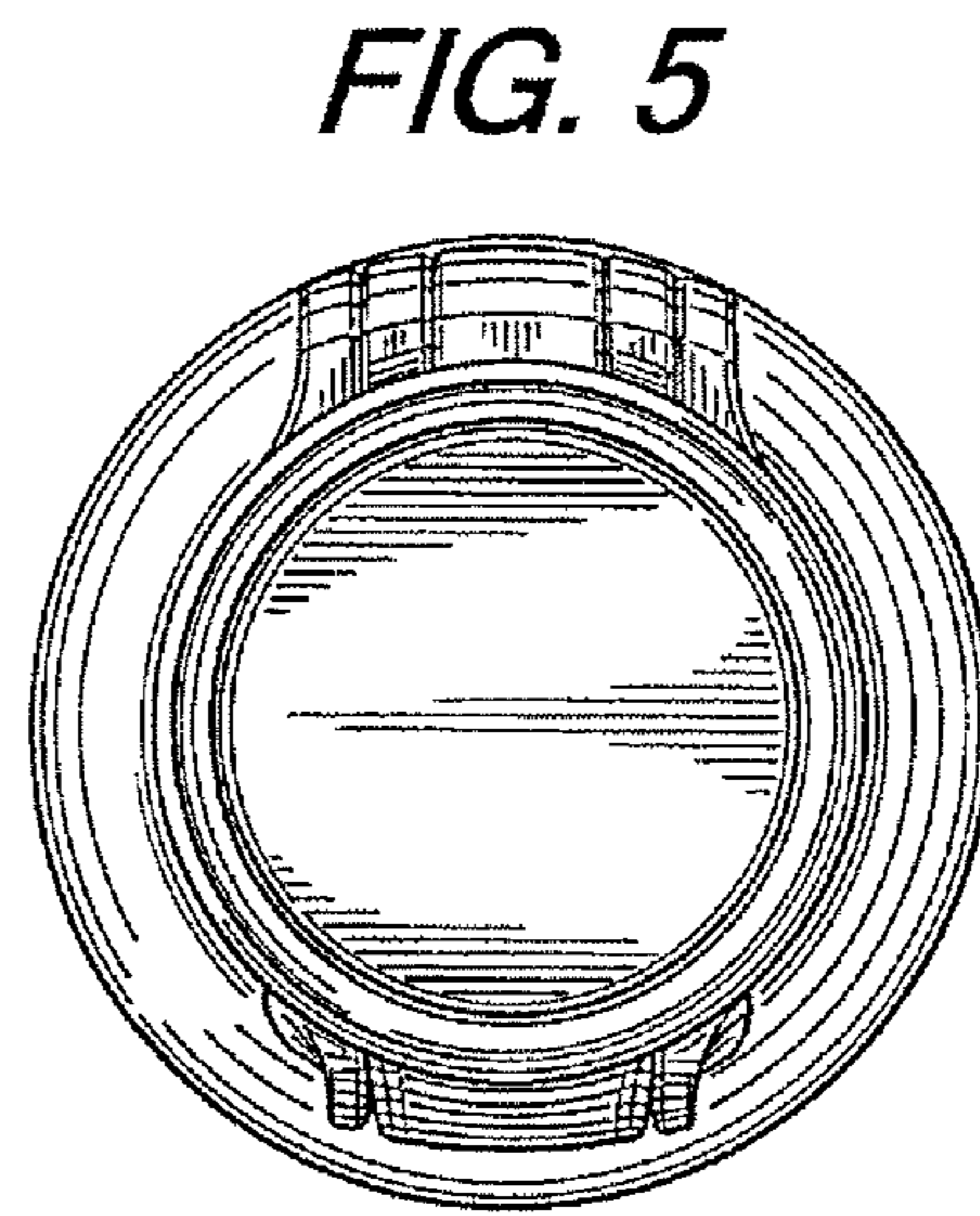


FIG. 5

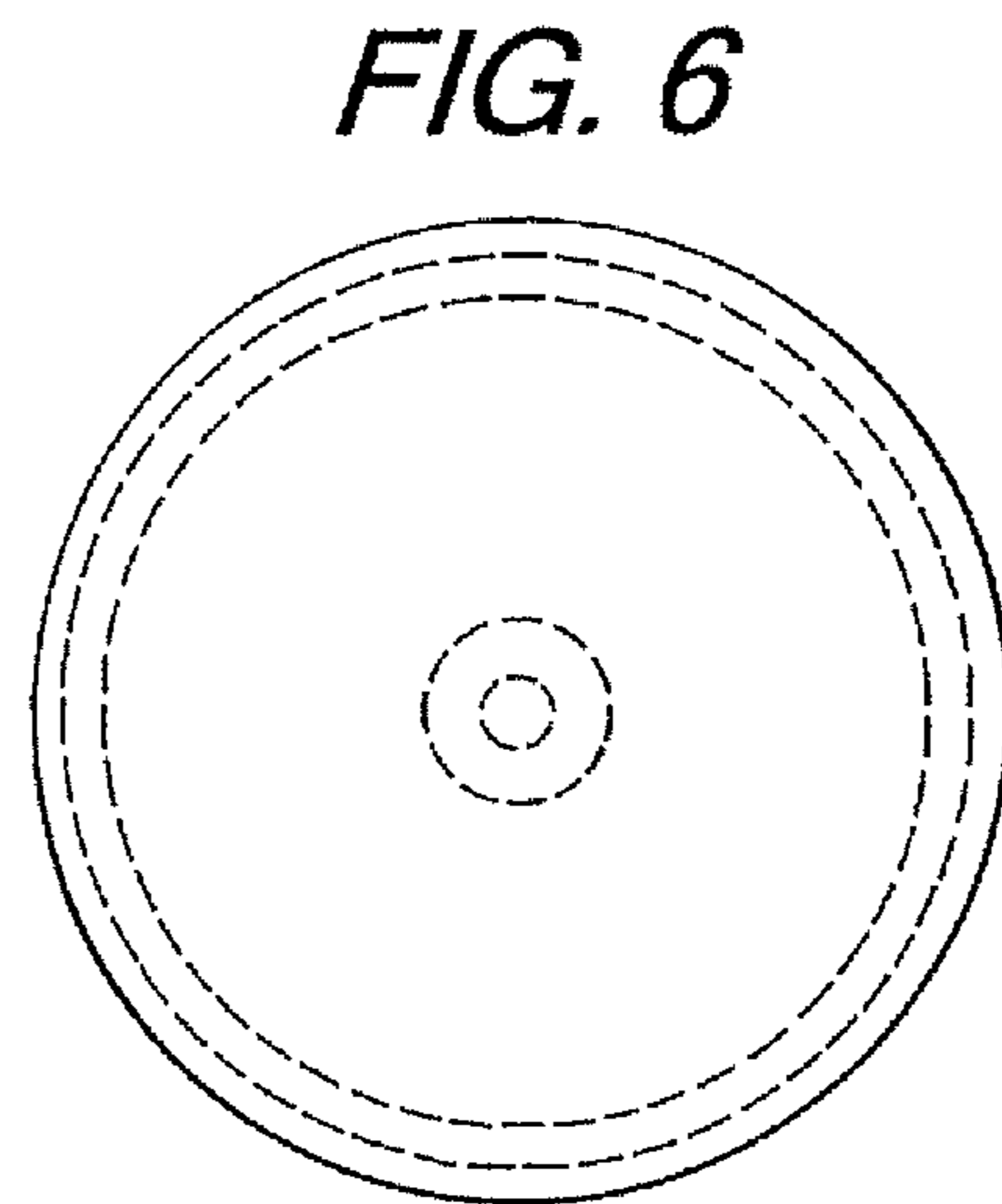


FIG. 6