



US00D700801S

(12) **United States Design Patent**
Jagger

(10) **Patent No.:** **US D700,801 S**
(45) **Date of Patent:** **** Mar. 11, 2014**

- (54) **SPOUT FOR A NONSPILL CUP**
- (75) Inventor: **Robin Drummond Jagger**, Bayswater (AU)
- (73) Assignee: **Little People Manufacturing Ltd.**, Wanchai (HK)
- (**) Term: **14 Years**
- (21) Appl. No.: **29/411,092**
- (22) Filed: **Jan. 17, 2012**
- (30) **Foreign Application Priority Data**
 - Jul. 15, 2011 (EM) 001892233-0001
 - Jul. 15, 2011 (EM) 001892233-0003
- (51) **LOC (10) Cl.** **07-02**
- (52) **U.S. Cl.**
 - USPC **D7/392.1**
- (58) **Field of Classification Search**
 - USPC D7/392.1, 396.2, 510, 511, 900; D9/444, 445, 447, 453; D24/121, 194, D24/196, 197; 215/11.1, 11.5, 11.6; 220/521, 713, 717
 - See application file for complete search history.

- (56) **References Cited**
 - U.S. PATENT DOCUMENTS**
 - 2,816,548 A * 12/1957 Tupper 215/11.1
 - 3,739,938 A * 6/1973 Paz 220/715
 - 4,243,156 A * 1/1981 Lobbestael 222/541.6
 - D259,231 S * 5/1981 Kozlow, Sr. D7/392.1
 - D293,083 S * 12/1987 Gloor D9/446
 - 4,961,510 A * 10/1990 Dvoracek 220/713
 - D316,652 S * 5/1991 Hunter D7/510
 - 5,147,066 A * 9/1992 Snider 220/717
 - D332,894 S * 2/1993 Green D7/511
 - D345,673 S * 4/1994 Dark D7/392.1

- D361,469 S * 8/1995 Young D7/392.1
- D363,852 S * 11/1995 Young D7/392.1
- D368,624 S * 4/1996 Forrer D7/392.1
- D369,943 S * 5/1996 Dark D7/392.1
- D385,748 S * 11/1997 Iodice et al. D7/510
- D387,247 S * 12/1997 Randolph D7/510
- D397,906 S * 9/1998 Briggs et al. D7/392.1
- D417,591 S * 12/1999 Roehrig D7/510
- D421,878 S * 3/2000 Roehrig D7/510
- D425,362 S * 5/2000 Meyers et al. D7/392
- D434,944 S * 12/2000 Randolph D7/510
- D457,778 S * 5/2002 Randolph et al. D7/392.1
- D460,322 S * 7/2002 Orr et al. D7/510
- D461,361 S * 8/2002 Orr et al. D7/392.1
- D473,423 S * 4/2003 Rhoad D7/392.1
- D479,946 S * 9/2003 Jalet et al. D7/392.1
- D489,225 S * 5/2004 Leinenweber D7/510
- D497,282 S * 10/2004 Kelly et al. D7/392.1

(Continued)

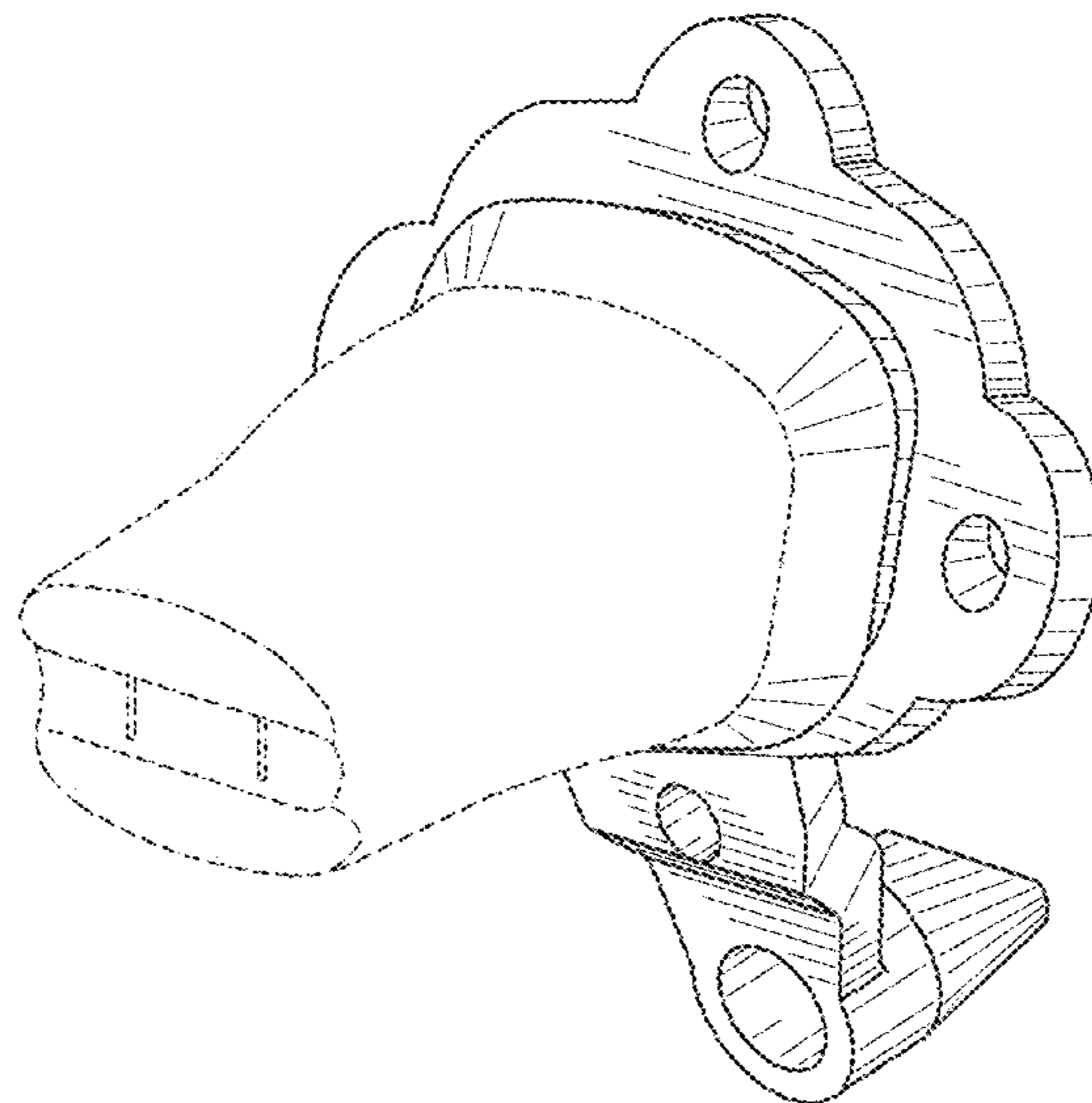
Primary Examiner — Susan E Krakower
(74) *Attorney, Agent, or Firm* — Marshall, Gerstein & Borun LLP

(57) **CLAIM**
The ornamental design for a spout for a nonspill cup, as shown and described.

DESCRIPTION

FIG. 1 is a side elevation view of a spout for a nonspill cup that has the design.
FIG. 2 is an opposite side elevation view of the article seen in FIG. 1.
FIG. 3 is a bottom plan view of the article.
FIG. 4 is a top plan view of the article.
FIG. 5 is a view of the article along line 5 of FIG. 1.
FIG. 6 is a view of the article along line 6 of FIG. 1; and, FIG. 7 is an orthographic view of the front, top, and sides of the article.
The broken lines illustrate portions of the article that form no part of the claimed design.

1 Claim, 7 Drawing Sheets



(56)

References Cited

U.S. PATENT DOCUMENTS

D497,512 S * 10/2004 Randolph D7/392.1
D501,361 S * 2/2005 Tollman D7/510
D562,625 S * 2/2008 Alikhan et al. D7/392.1
D599,616 S * 9/2009 Cresswell et al. D7/392.1
D627,595 S * 11/2010 Jennings D7/392.1

D634,439 S * 3/2011 Hakim D24/196
D636,228 S * 4/2011 Marsh D7/510
D656,788 S * 4/2012 Sakulsacha D7/510
D667,558 S * 9/2012 Hakim D24/196
D668,502 S * 10/2012 Sakulsacha D7/392.1
D669,732 S * 10/2012 Hopkins et al. D7/392.1
D669,733 S * 10/2012 Jewett et al. D7/392.1
D671,793 S * 12/2012 Hakim D7/392.1

* cited by examiner

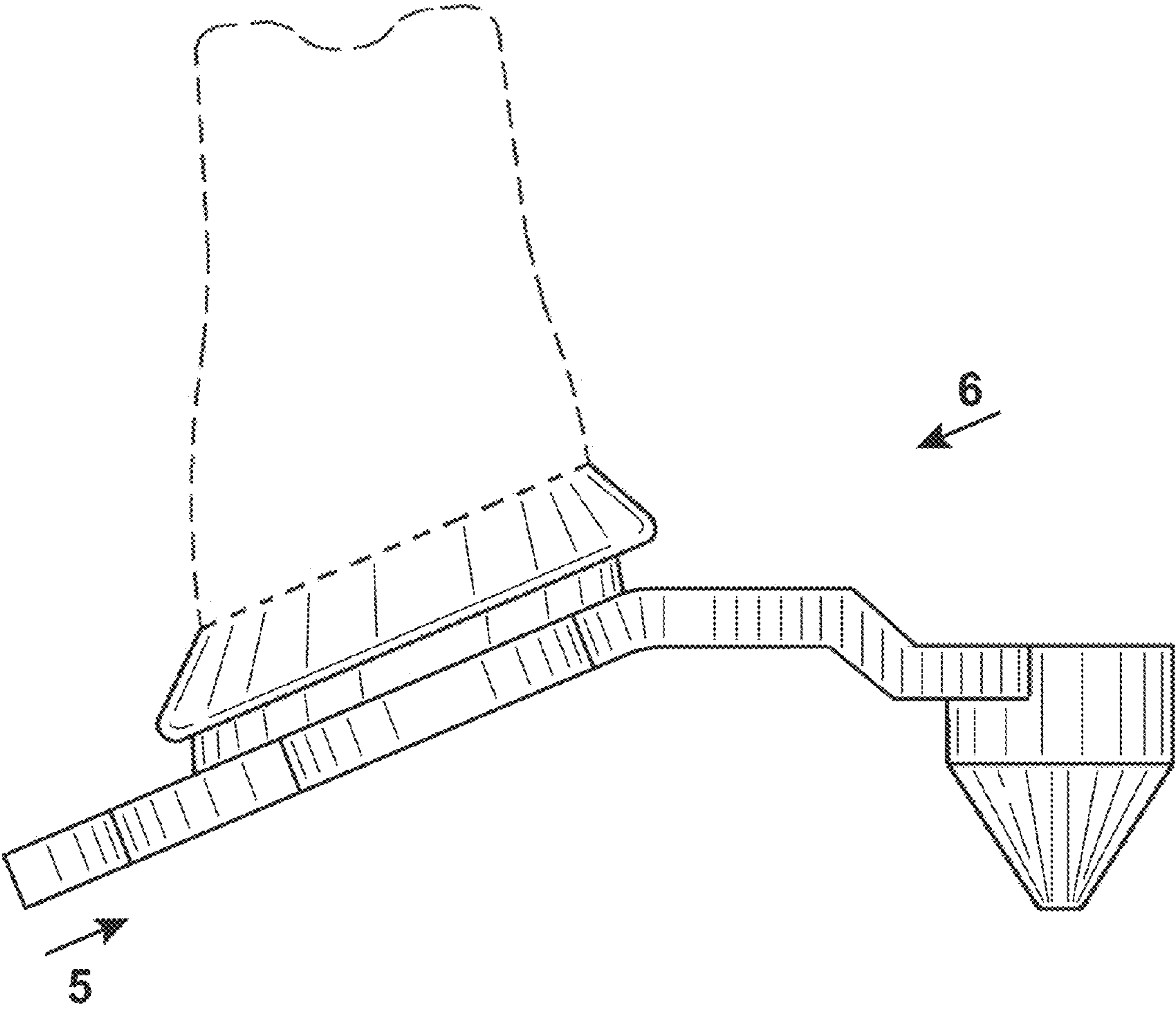


FIG. 1

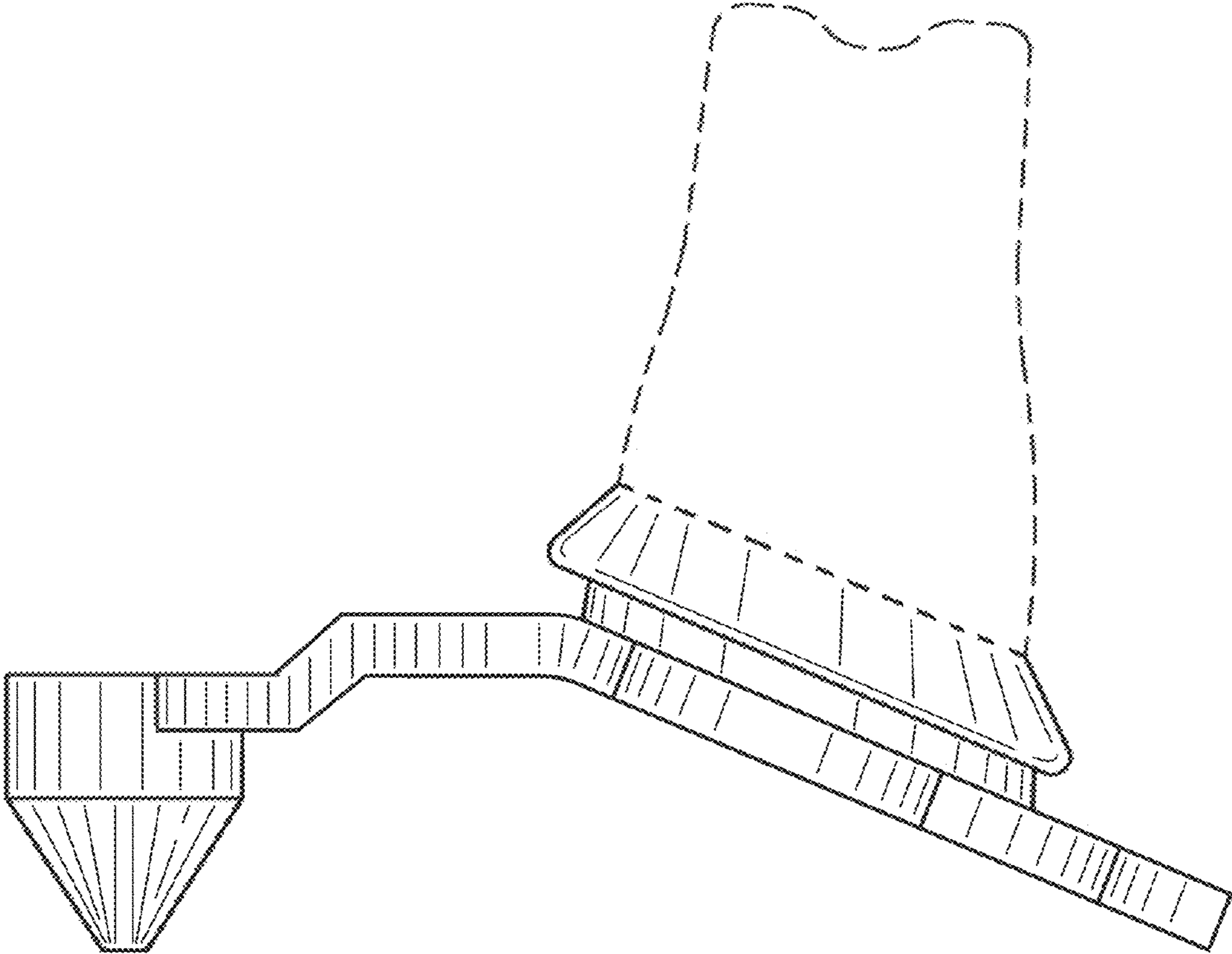


FIG. 2

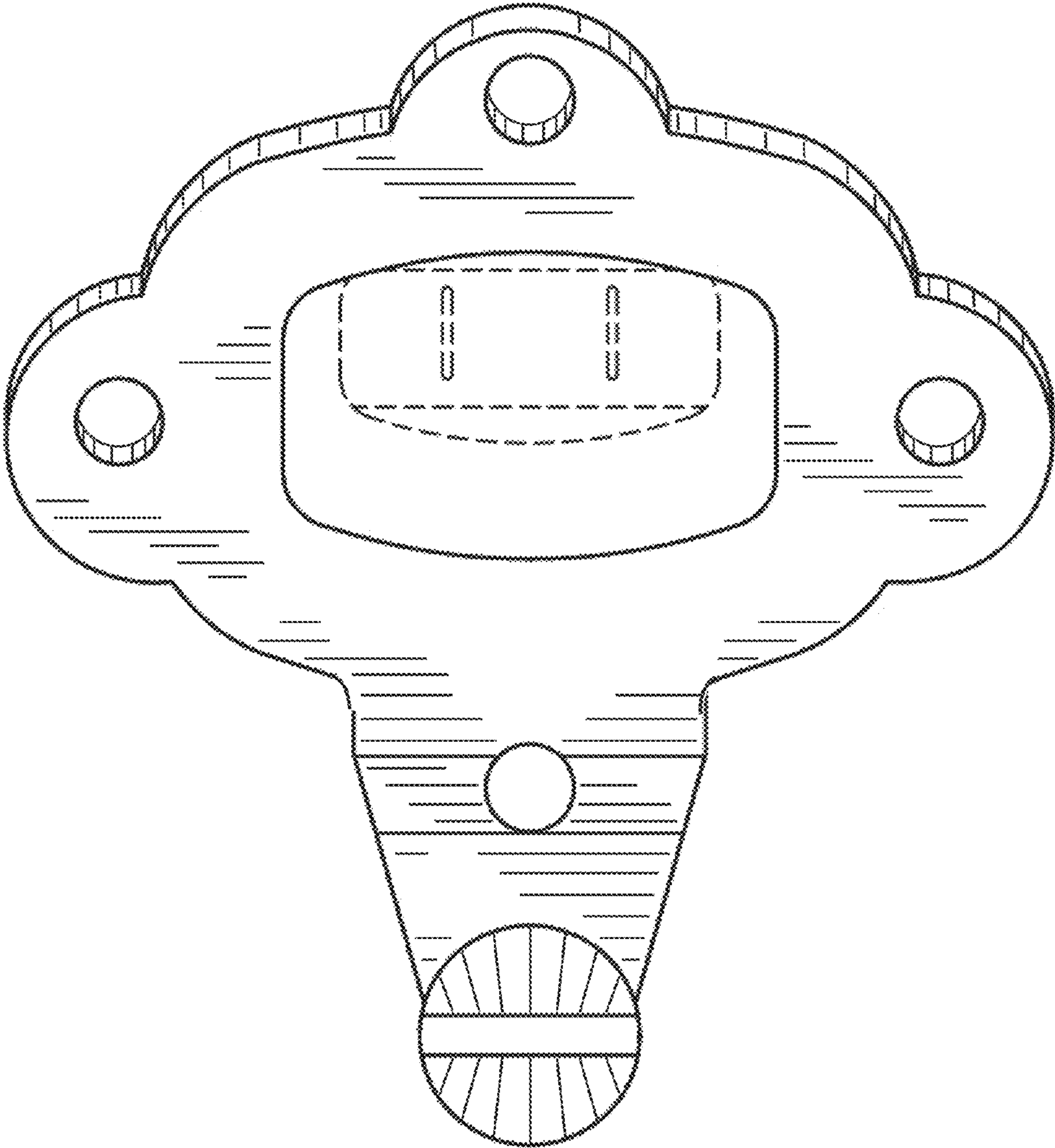


FIG. 3

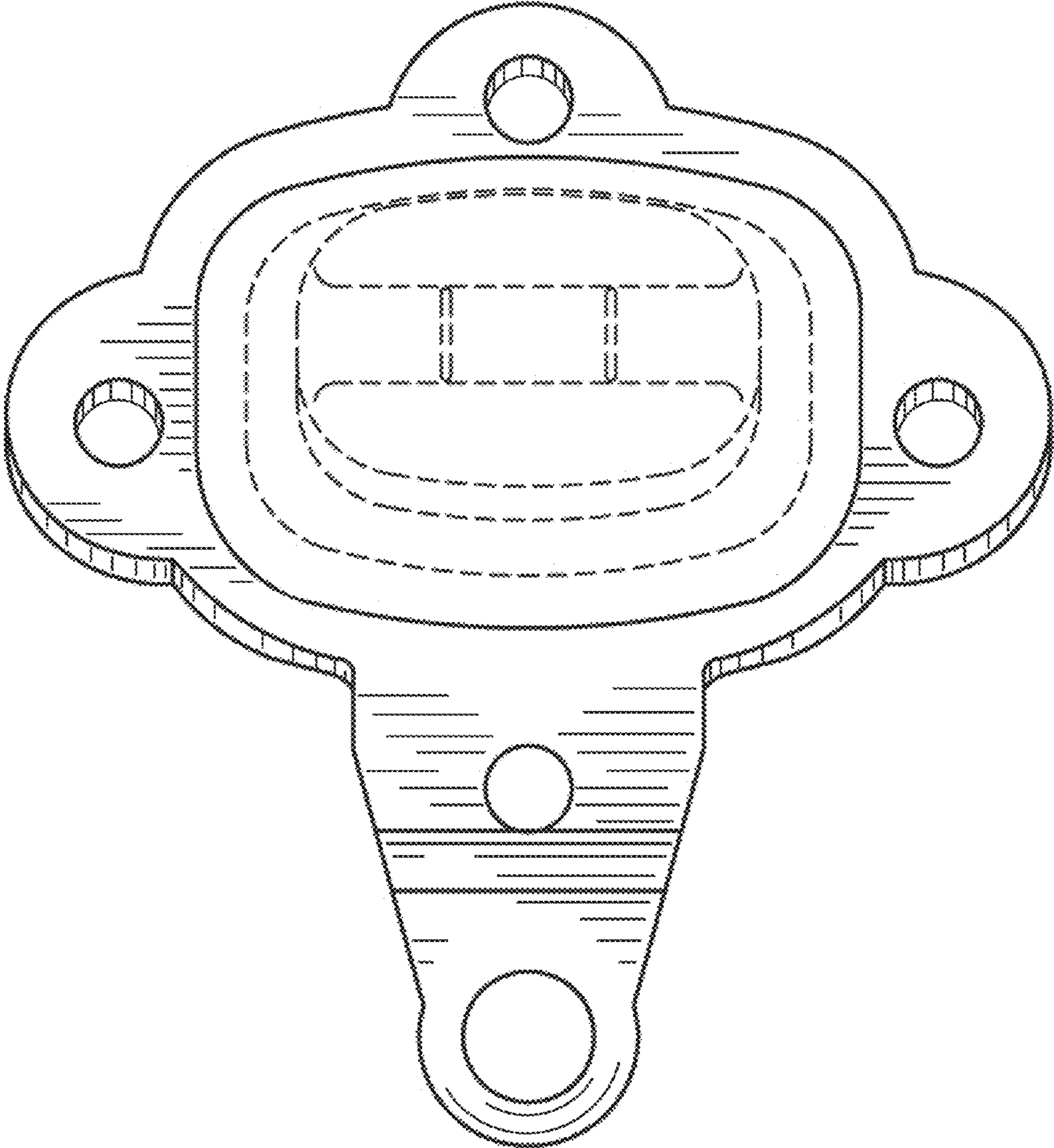


FIG. 4

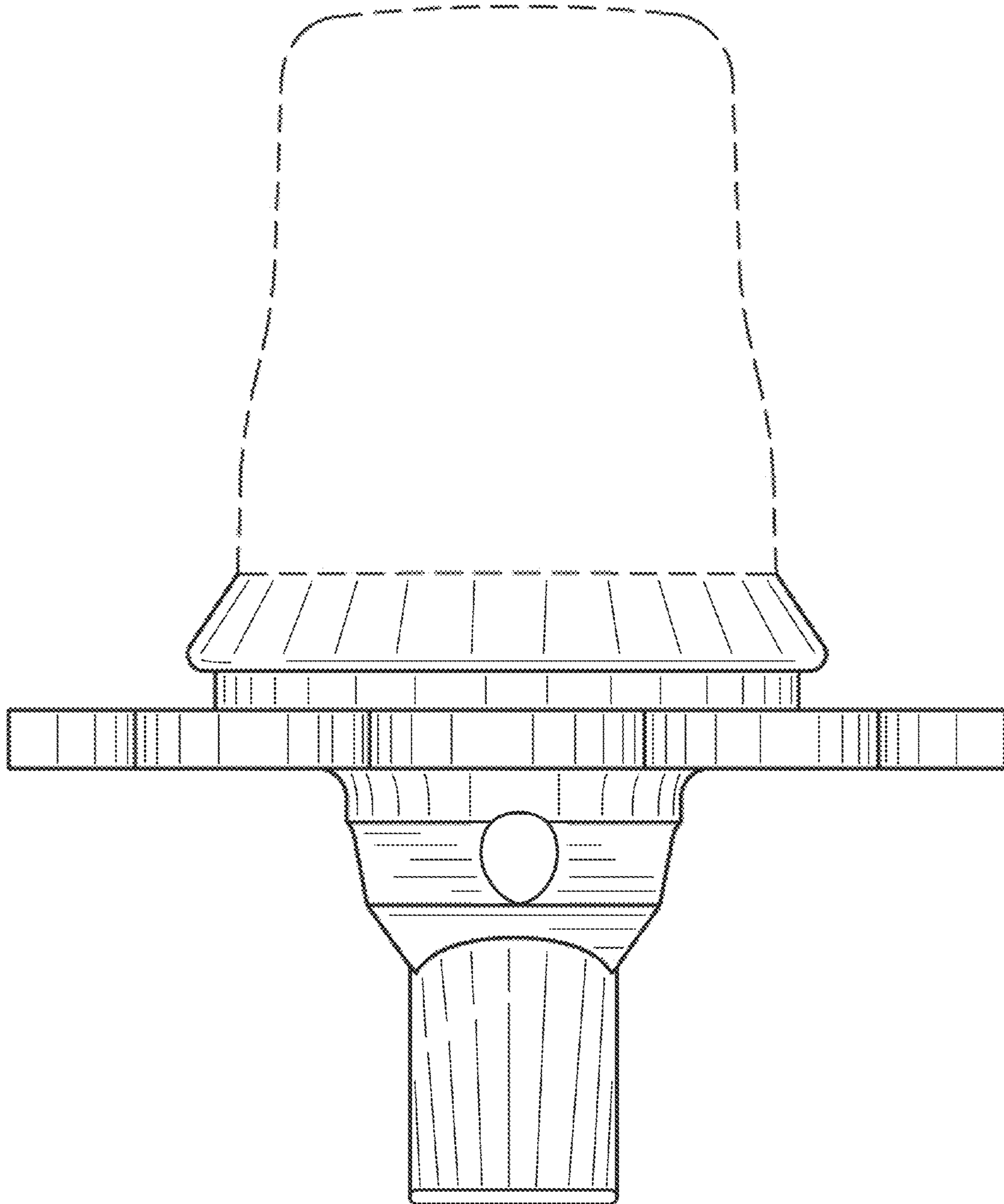


FIG. 5

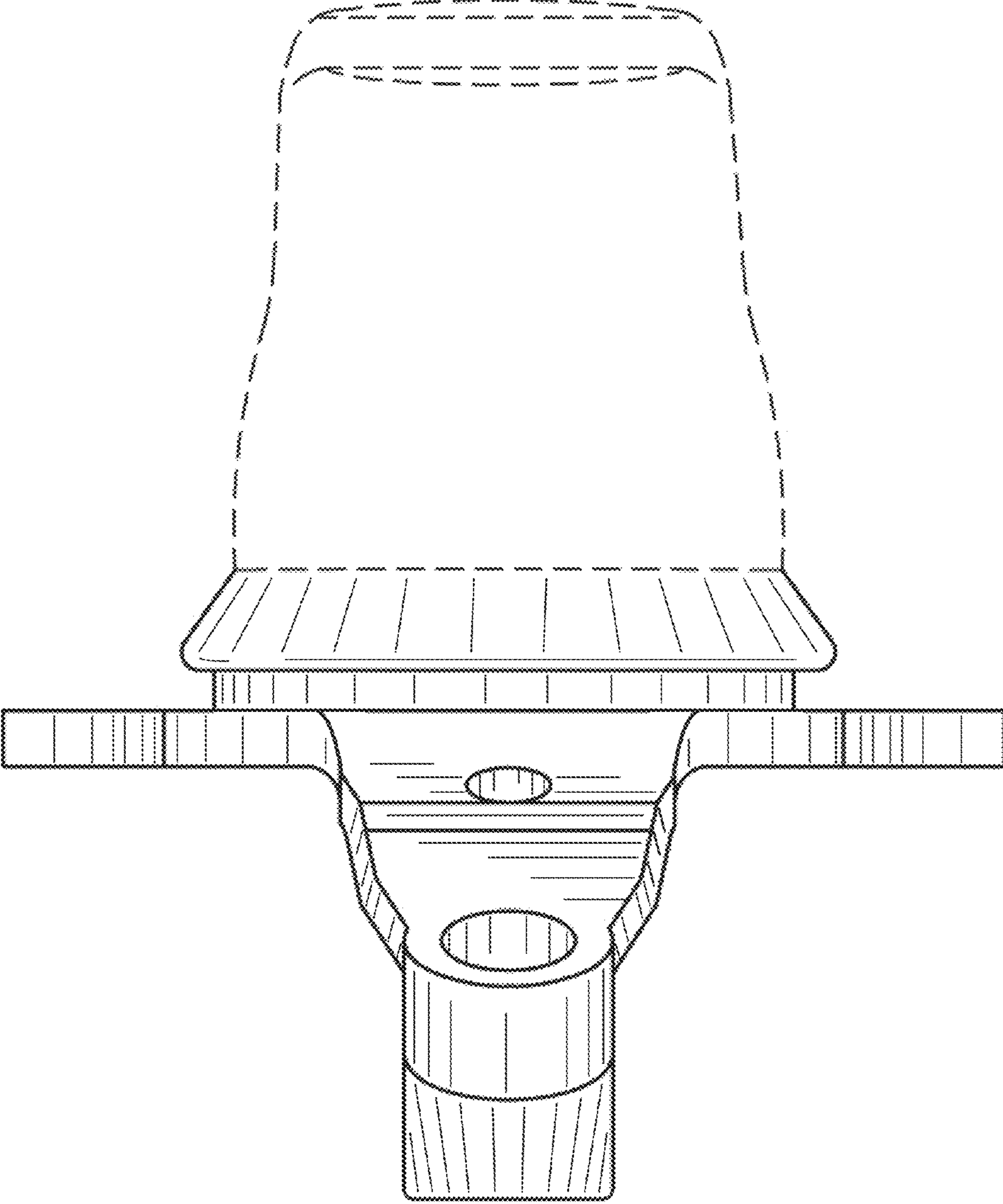


FIG. 6

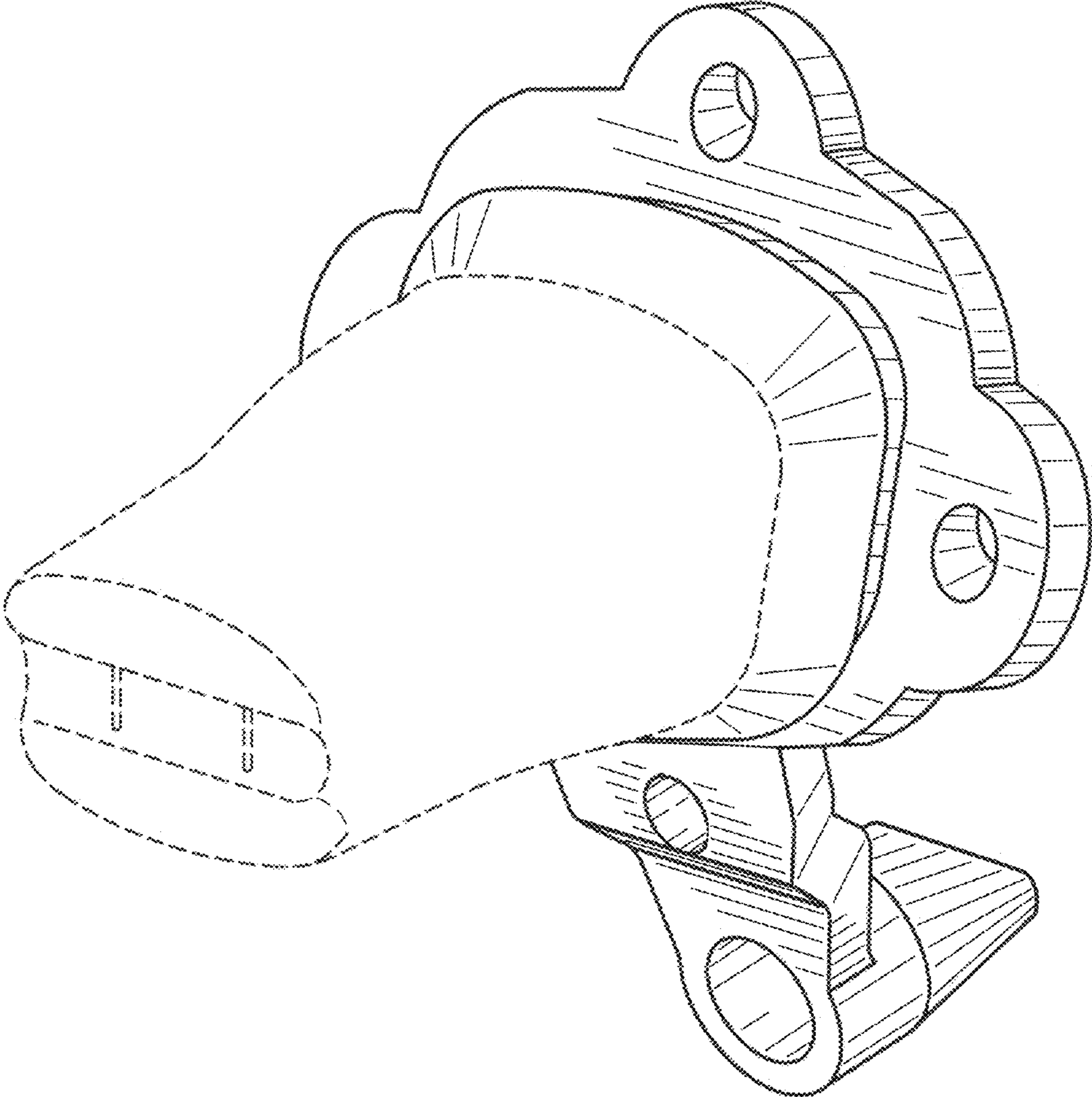


FIG. 7