



US00D700799S

(12) **United States Design Patent**  
**Ludeman et al.**

(10) **Patent No.:** **US D700,799 S**  
(45) **Date of Patent:** **\*\* Mar. 11, 2014**

(54) **LID**

(56) **References Cited**

(71) Applicant: **WKI Holding Company, Inc.**,  
Rosemont, IL (US)  
(72) Inventors: **Karl Ludeman**, Chicago, IL (US);  
**Kenneth Lundgreen**, Algonquin, IL  
(US); **Steven Grider**, West Dundee, IL  
(US)  
(73) Assignee: **WKI Holding Company, Inc.**,  
Rosemont, IL (US)

U.S. PATENT DOCUMENTS

D7,364 S 4/1874 Sweeney  
D9,848 S 3/1877 Barker  
D48,614 S 2/1916 Sanford  
D51,837 S 3/1918 Evans  
D51,878 S 3/1918 Evans  
D52,016 S 5/1918 Beiswanger  
D52,627 S 11/1918 Beiswanger  
D52,692 S 11/1918 Beiswanger  
RE14,558 E 12/1918 Beiswanger  
D52,726 S 12/1918 Beiswanger

(Continued)

(\*\*) Term: **14 Years**

*Primary Examiner* — Ricky Pham

(21) Appl. No.: **29/444,883**

(74) *Attorney, Agent, or Firm* — McDermott Will & Emery  
LLP

(22) Filed: **Feb. 5, 2013**

(57) **CLAIM**

We claim the ornamental design for a lid, as shown and  
described.

(51) **LOC (10) Cl.** ..... **07-02**

**DESCRIPTION**

(52) **U.S. Cl.**

USPC ..... **D7/391**

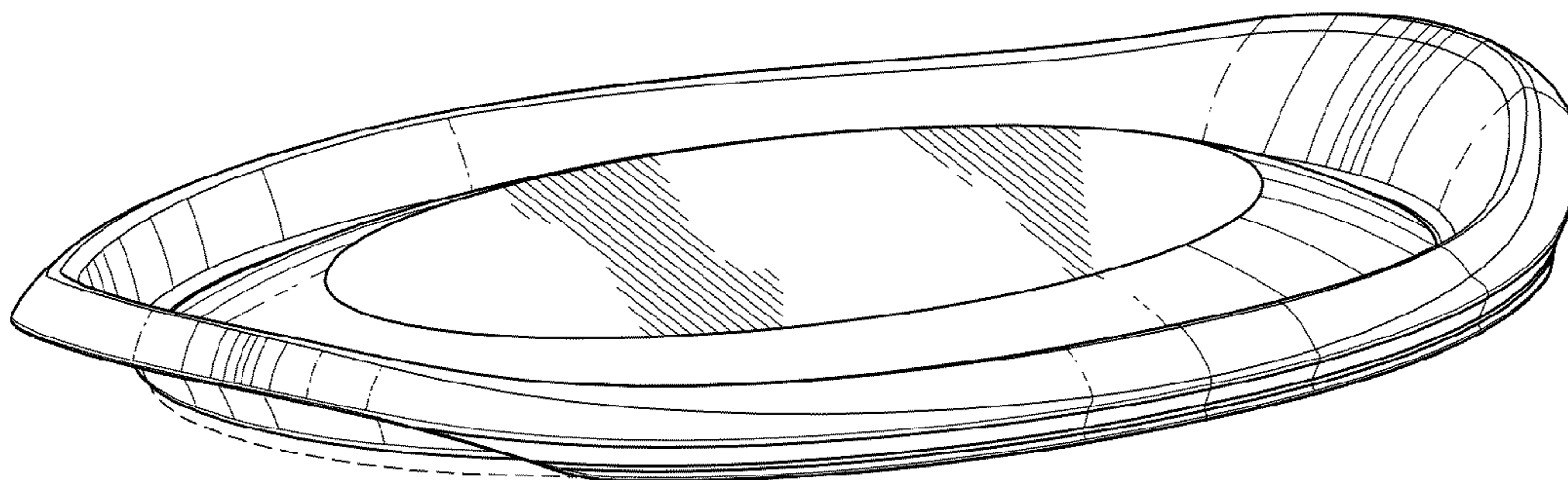
(58) **Field of Classification Search**

USPC ..... D7/307, 323, 329–332, 339, 346–347,  
D7/350.1–350.4, 353–367, 391–392,  
D7/392.1, 393, 395, 402, 406, 409,  
D7/538–545, 554.2, 555, 566, 586–587,  
D7/610, 629; D9/424, 425, 429, 435,  
D9/451–454; 99/324–325, 331–332,  
99/337–343, 369, 400–418, 422, 425, 444,  
99/451, 483; 126/37 R, 261, 374.1, 378.1;  
206/501–505, 507–508; 219/400, 405,  
219/429–442, 620–624, 725, 730–735;  
220/203.05, 203.07, 203.09, 298,  
220/315–316, 573.1–573.5, 575, 912;  
426/107, 438, 441

FIG. 1 is a top perspective view of a lid according to the new  
design;  
FIG. 2 is a bottom perspective view of the lid shown in FIG.  
1;  
FIG. 3 is a top plan view of the lid shown in FIG. 1;  
FIG. 4A is a cross-section view of the lid shown in FIG. 3  
taken through the line 4A-4A;  
FIG. 4B is a cross-section view of the lid shown in FIG. 3  
taken through the line 4B-4B;  
FIG. 5 is a left side elevation view of the lid shown in FIG. 1;  
FIG. 6 is a bottom plan view of the lid shown in FIG. 1;  
FIG. 7 is a left end elevation view of the lid shown in FIG. 1;  
FIG. 8 is a right side elevation view of the lid shown in FIG.  
1; and,  
FIG. 9 is a right end elevation view of the lid shown in FIG. 1.  
Features shown in broken lines form no part of the claimed  
design.

See application file for complete search history.

**1 Claim, 4 Drawing Sheets**



(56)

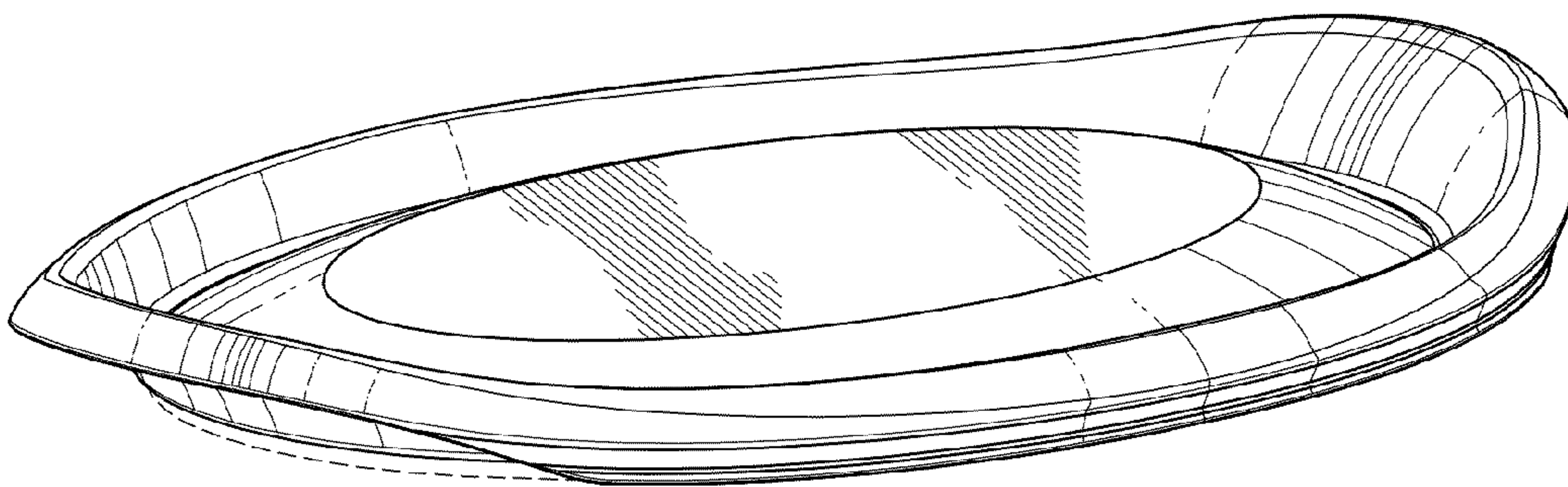
References Cited

U.S. PATENT DOCUMENTS

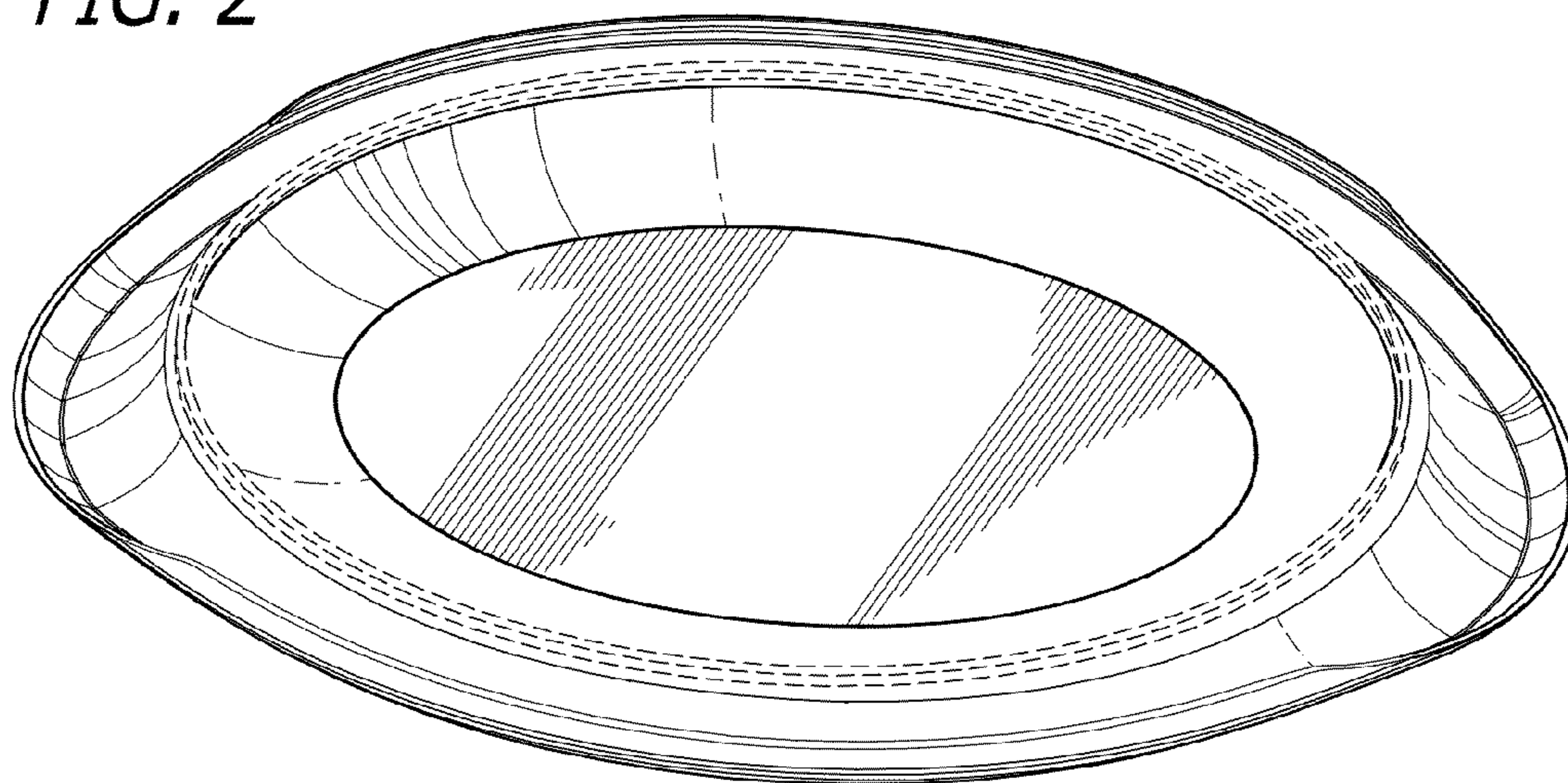
D52,727 S	12/1918	Beiswanger	D469,314 S	1/2003	Thonis et al.
D52,817 S	12/1918	Beiswanger	D469,315 S	1/2003	Thonis et al.
D56,334 S	10/1920	Beiswanger	D469,662 S	2/2003	Thonis et al.
D56,335 S	10/1920	Beiswanger	D473,106 S *	4/2003	Scherer ..... D7/555
D57,182 S	3/1921	Beiswanger	D484,001 S *	12/2003	Levien ..... D7/554.2
D57,183 S	3/1921	Beiswanger	D490,656 S *	6/2004	Levien ..... D7/554.2
D58,201 S	6/1921	Sailer	D494,419 S	8/2004	Armer
D70,643 S	7/1926	Anduze	D501,762 S	2/2005	Wolhendler
D133,369 S	8/1942	Chaplin	D503,871 S	4/2005	Armer
D154,216 S	6/1949	Reifsnyder	D504,283 S	4/2005	Armer
D239,686 S	4/1976	Andersson	D508,823 S	8/2005	Vendl et al.
D242,972 S	1/1977	Day	D515,872 S	2/2006	Vendl et al.
D255,309 S	6/1980	Colato et al.	D523,697 S *	6/2006	Haataja ..... D7/587
D269,931 S	8/1983	Durand	D528,366 S *	9/2006	Medard ..... D7/545
4,532,397 A	7/1985	McClelland	7,121,422 B2 *	10/2006	Gitschlag et al. .... 220/575
D321,815 S	11/1991	Bowdler	D544,298 S	6/2007	Eide et al.
D324,324 S	3/1992	Picozza	D544,307 S	6/2007	Ablo
D325,112 S	4/1992	Thompson	D545,628 S	7/2007	Serra
D338,375 S	8/1993	Andress	D545,630 S	7/2007	Serra
D344,875 S	3/1994	Pomroy et al.	D551,025 S	9/2007	Serra
D349,424 S	8/1994	Schlegel	D551,510 S	9/2007	Serra
D353,519 S	12/1994	Wolfenden	D551,909 S	10/2007	Eide et al.
D382,796 S	8/1997	Mangla	D559,041 S *	1/2008	Gartz et al. .... D7/538
D392,881 S	3/1998	Bulcher et al.	D571,156 S *	6/2008	Gartz et al. .... D7/545
D413,487 S	9/1999	Vitali	D575,990 S *	9/2008	Altiner et al. .... D7/566
D415,025 S	10/1999	McCann	D595,542 S	7/2009	Dewey
D460,663 S	7/2002	Seager	D611,303 S	3/2010	Cimmerer et al.
D467,128 S	12/2002	Thonis et al.	7,722,907 B2 *	5/2010	Roberts et al. .... 426/107
D469,313 S	1/2003	Thonis et al.	D632,528 S *	2/2011	Olivari et al. .... D7/587
			D636,229 S *	4/2011	Koennecke ..... D7/586
			D688,917 S *	9/2013	Ludeman et al. .... D7/586

\* cited by examiner

*FIG. 1*



*FIG. 2*



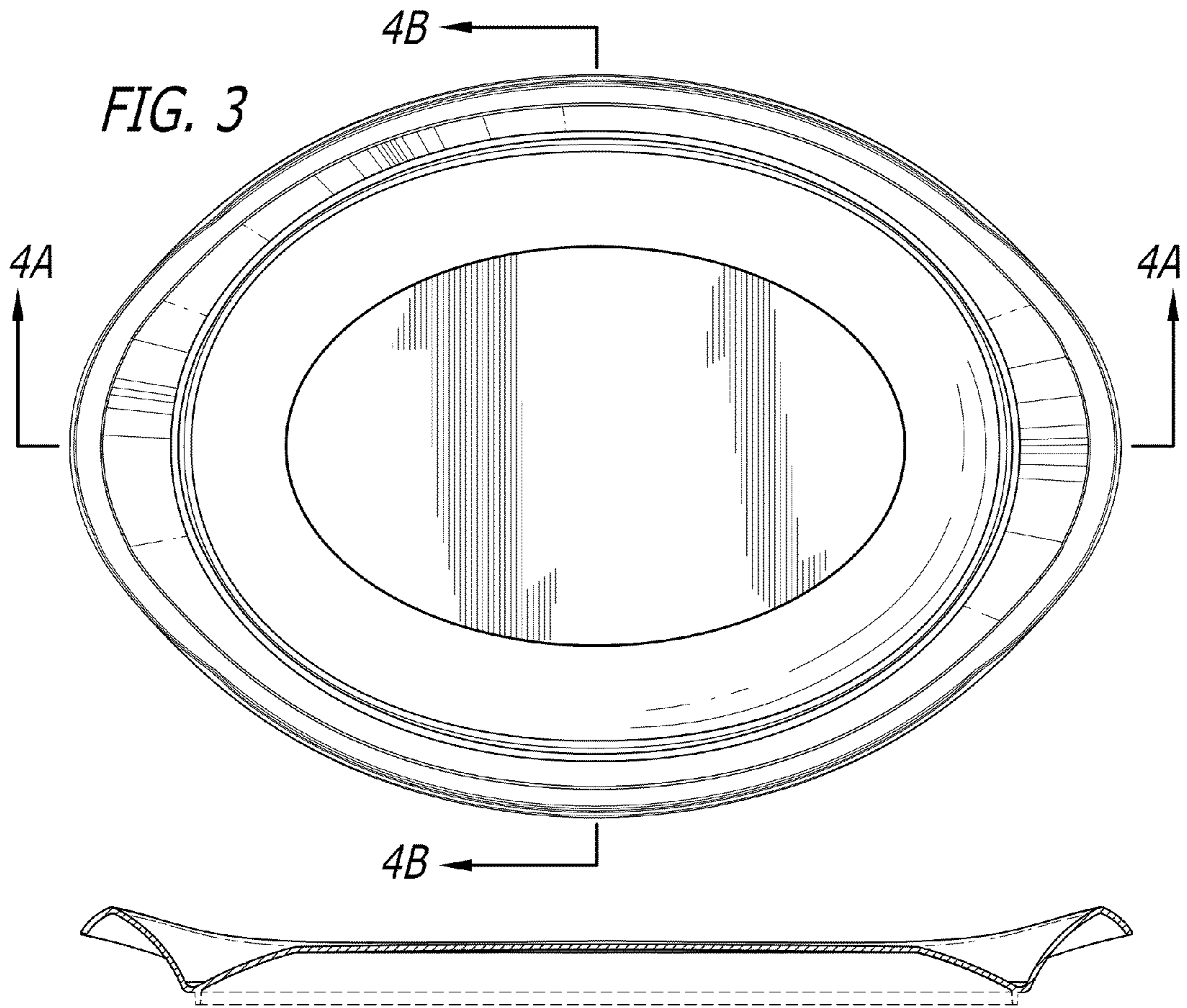


FIG. 4A

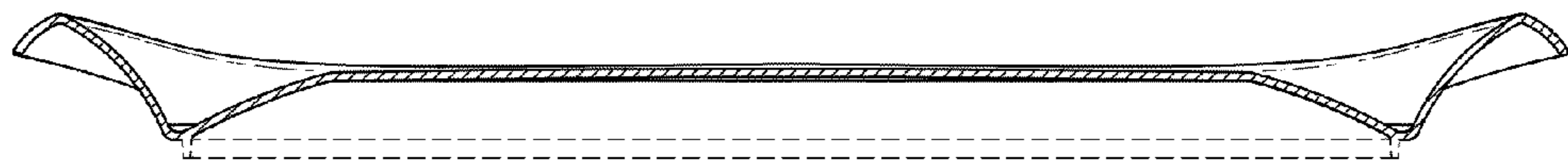
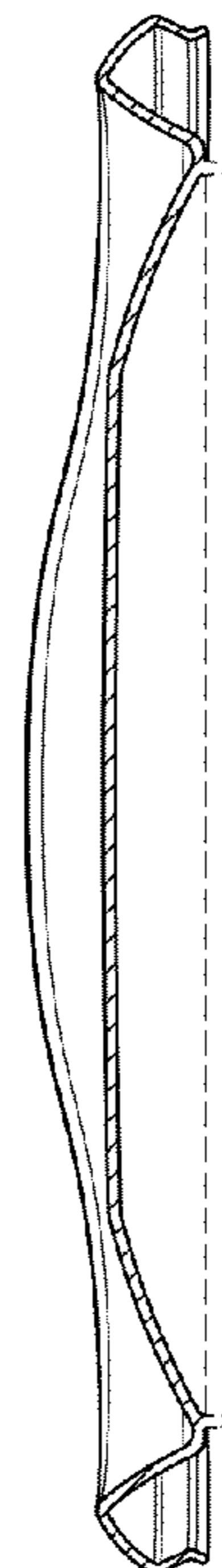


FIG. 4B



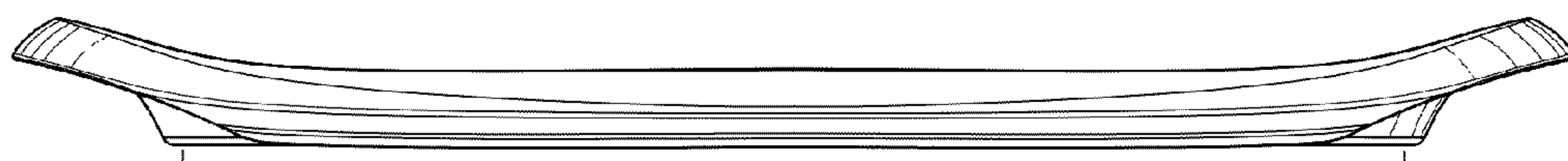


FIG. 5

FIG. 6

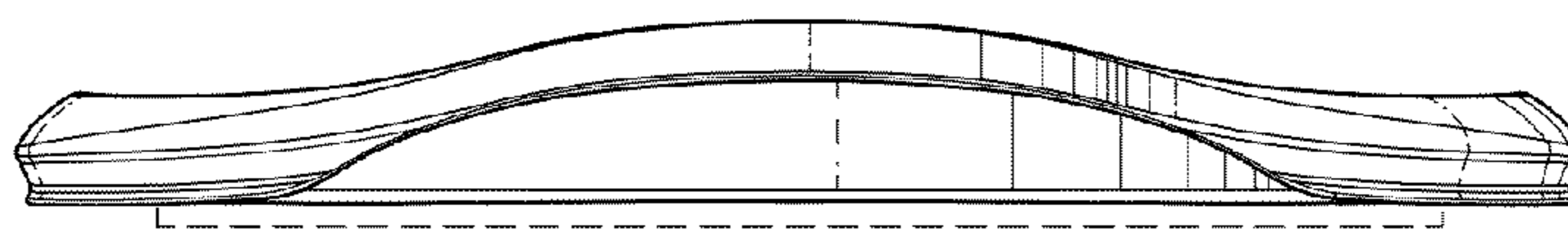
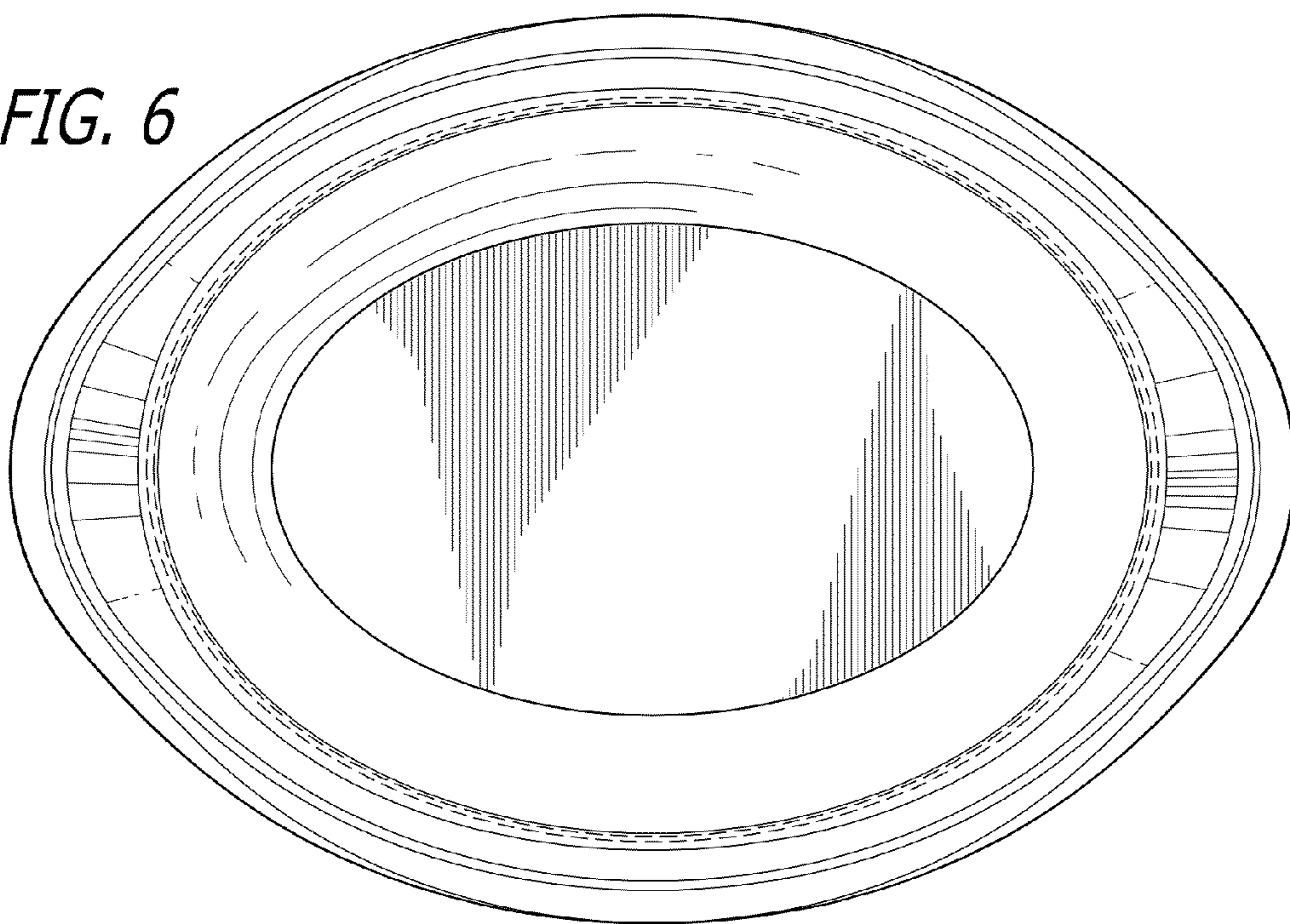
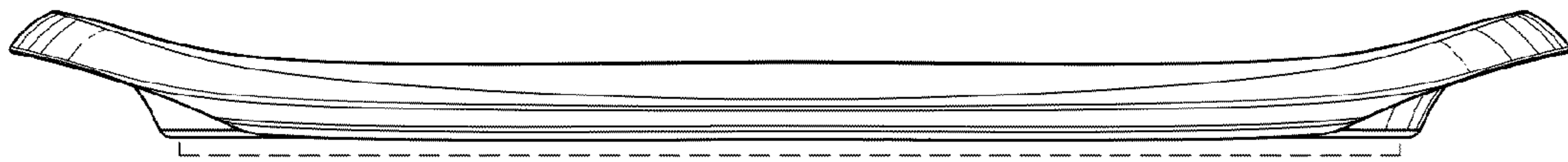
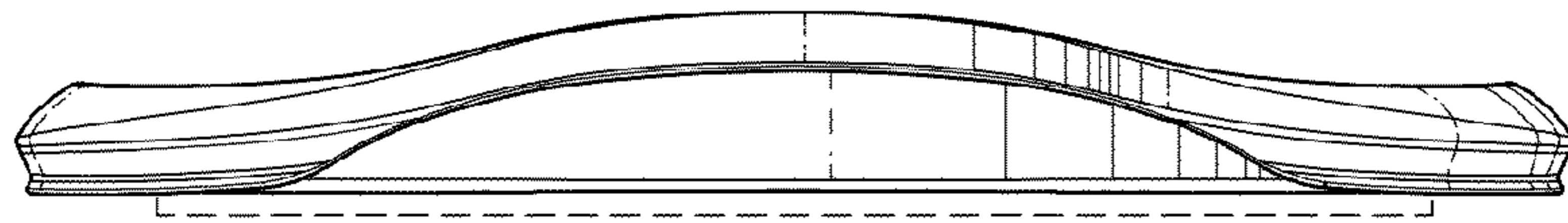


FIG. 7



*FIG. 8*



*FIG. 9*