



US00D700797S

(12) **United States Design Patent**  
**Burkes**

(10) **Patent No.:** **US D700,797 S**  
(45) **Date of Patent:** **\*\* Mar. 11, 2014**

- (54) **DRINKING VESSEL**
- (71) Applicant: **Kim Burkes**, Tacoma, WA (US)
- (72) Inventor: **Kim Burkes**, Tacoma, WA (US)
- (\*\*) Term: **14 Years**
- (21) Appl. No.: **29/436,946**
- (22) Filed: **Nov. 9, 2012**
- (51) **LOC (10) Cl.** ..... **07-01**
- (52) **U.S. Cl.**  
USPC ..... **D7/316**; D7/537; D7/527; D10/46.2
- (58) **Field of Classification Search**  
USPC ..... D7/510, 511, 509, 523, 608, 534, 316,  
D7/537, 524, 527; 366/130; 220/703,  
220/592.16, 592.17, 739, 710.5, 630;  
215/11.1, 377; D24/197; D10/46.2  
See application file for complete search history.

D93,120 S *	8/1934	Mann	.....	D7/524
D99,678 S *	5/1936	Osuch	.....	D6/560
2,069,089 A *	1/1937	Goldman et al.	.....	220/703
D124,225 S *	12/1940	Sawyer	.....	D7/527
3,092,704 A *	6/1963	De Woody et al.	.....	219/385
3,482,731 A *	12/1969	Douty	.....	220/630
D219,789 S *	1/1971	Quistgaard	.....	D7/524
D236,314 S *	8/1975	Sugai	.....	D7/319
D278,591 S *	4/1985	Seibel	.....	D7/527
D278,788 S *	5/1985	Seibel	.....	D7/527
D299,607 S *	1/1989	Ryan	.....	D10/46.2
5,271,085 A *	12/1993	Carballo	.....	392/444
D343,129 S *	1/1994	Farley	.....	D10/46.2
6,769,302 B1 *	8/2004	King et al.	.....	73/427
D572,532 S *	7/2008	Despres	.....	D7/511

\* cited by examiner

*Primary Examiner* — Marianne Pandozzi

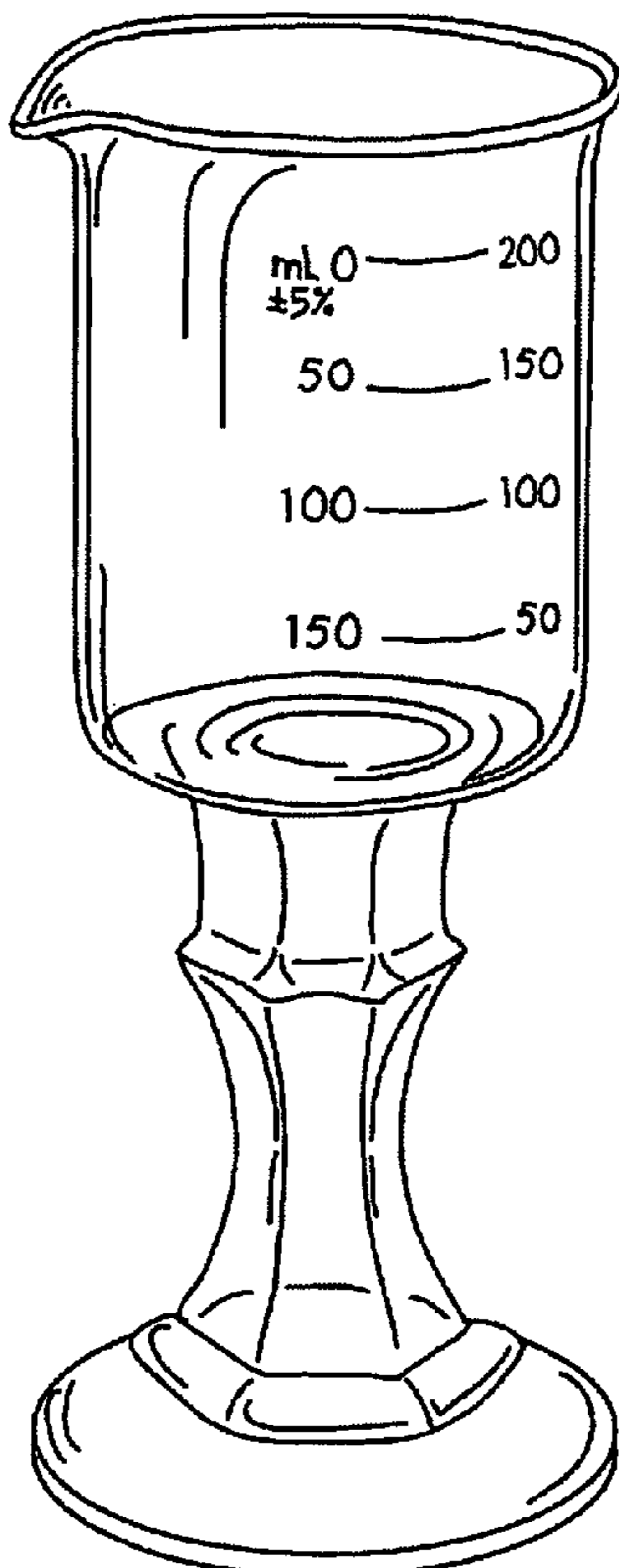
(57) **CLAIM**  
The ornamental design for a drinking vessel, as shown and described.

**DESCRIPTION**

FIG. 1 is a perspective view of a drinking vessel showing my new design;  
FIG. 2 is a top plan view of the drinking vessel; and,  
FIG. 3 is a bottom plan view of the drinking vessel.  
The drinking vessel features a beaker sitting atop an ornamental stem.

- (56) **References Cited**  
U.S. PATENT DOCUMENTS  
D6,976 S \* 11/1873 Hobbs ..... D7/524  
D8,291 S \* 4/1875 Miller ..... D7/524  
272,713 A \* 2/1883 Leake ..... 222/158  
641,052 A \* 1/1900 Stauss ..... 73/427  
1,651,485 A \* 12/1927 Thesen ..... 222/572

**1 Claim, 1 Drawing Sheet**



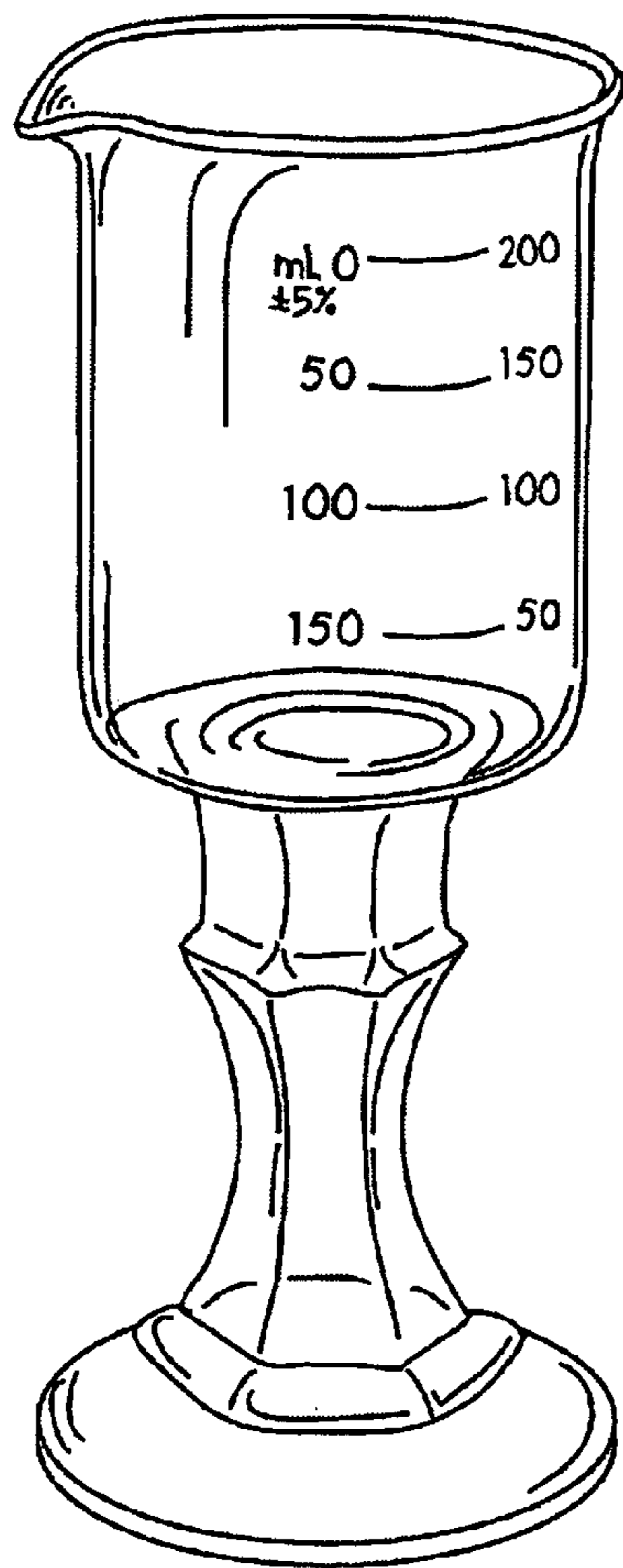


FIG. 1

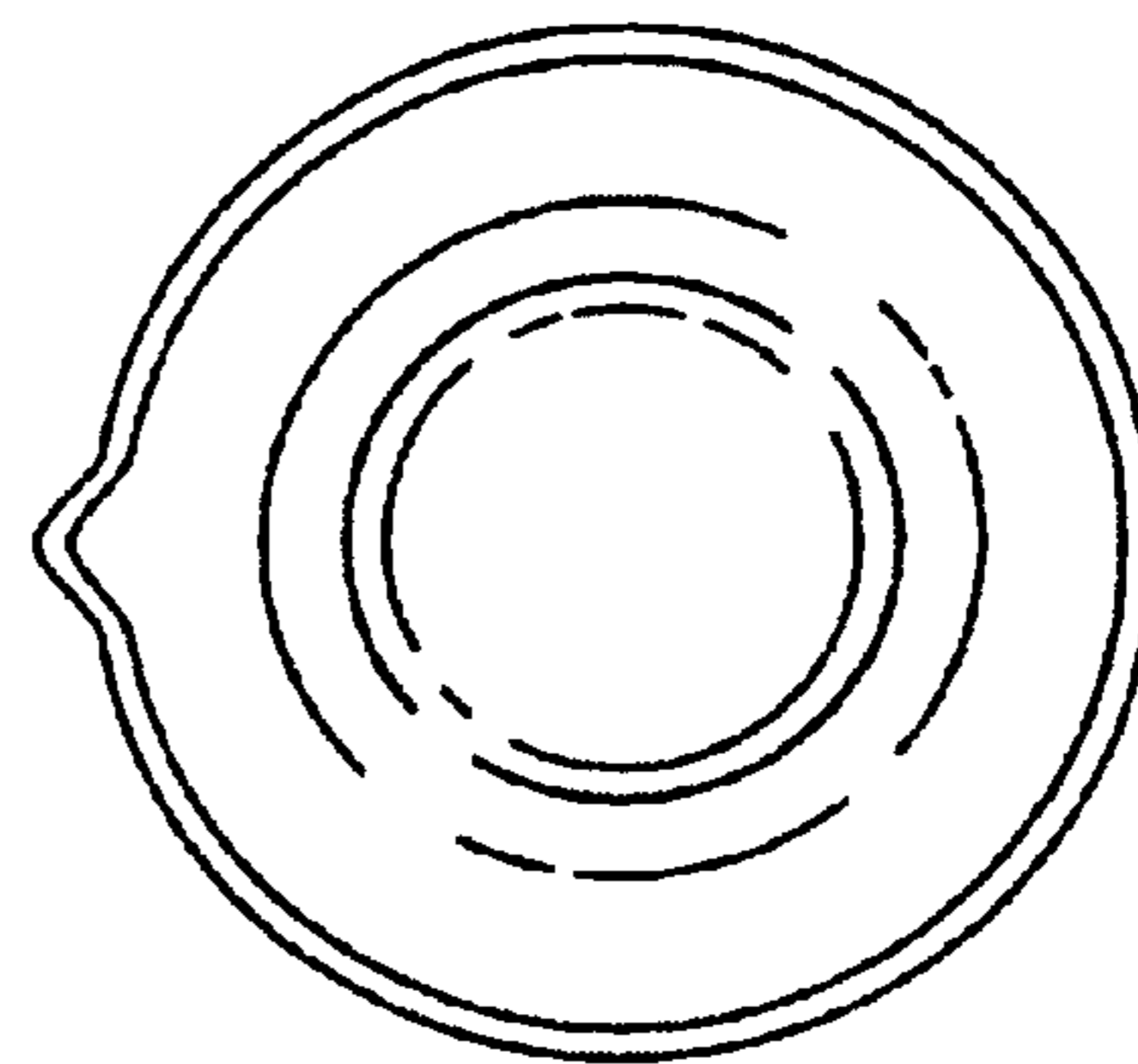


FIG. 2

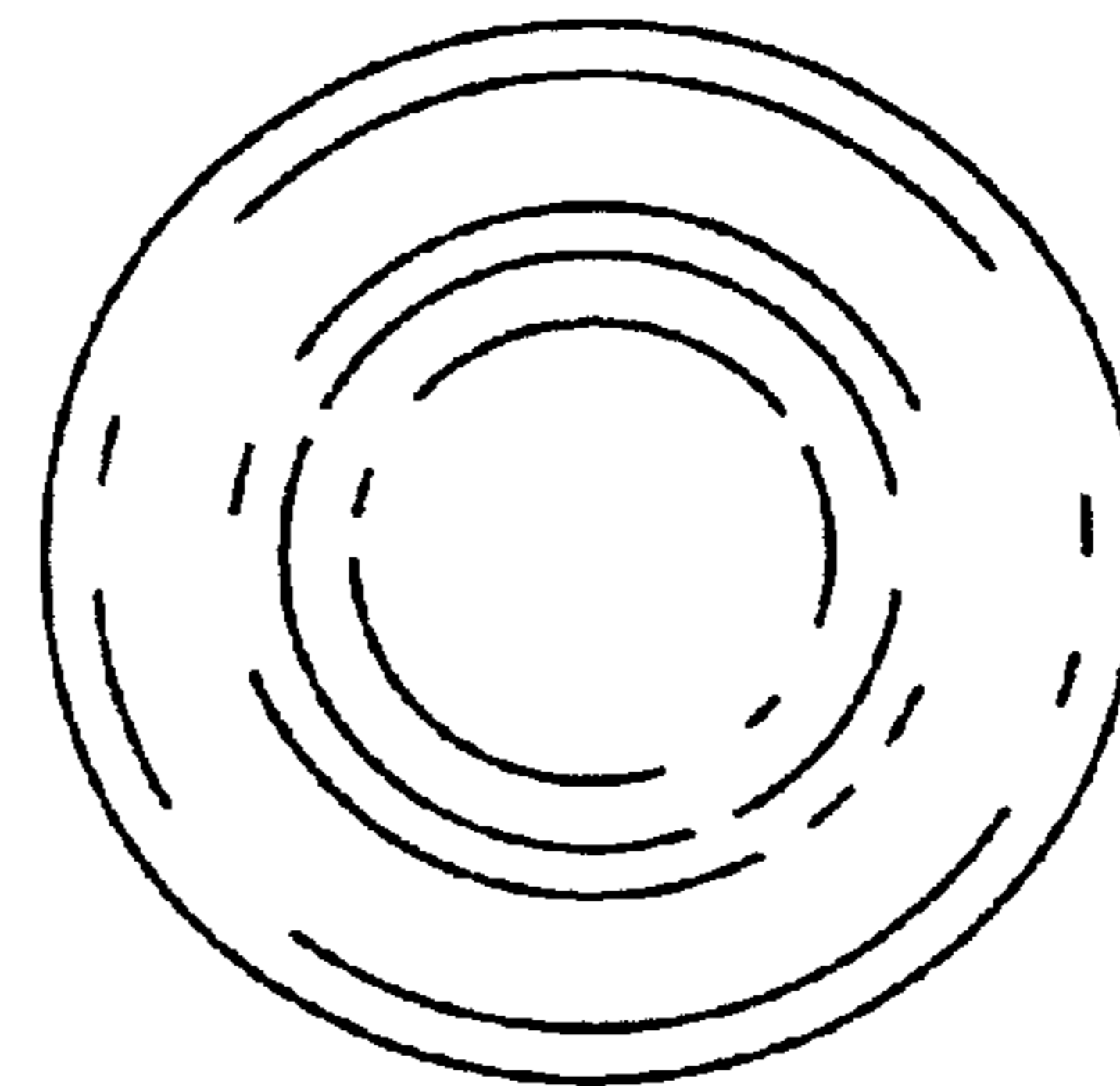


FIG. 3