



US00D700796S

(12) **United States Design Patent**
Terzariol et al.

(10) **Patent No.:** **US D700,796 S**
(45) **Date of Patent:** **** Mar. 11, 2014**

(54) **COFFEE MAKER**

(56) **References Cited**

(75) Inventors: **Alex Terzariol**, Chiusa (IT); **Mario Varesco**, Bolzano (IT); **Giulio Sbarigia**, Bolzano (IT); **Günther Kuhn**, Merano (IT)

U.S. PATENT DOCUMENTS

D107,092	S	*	11/1937	Ribble	D7/307
D112,145	S	*	11/1938	Harr	D7/307
D117,907	S	*	12/1939	Martin	D7/307
D198,014	S	*	4/1964	Frey	D7/308
D205,394	S	*	8/1966	Richman	D7/308
D264,214	S	*	5/1982	Bowen et al.	D7/307
D465,119	S	*	11/2002	Strandell et al.	D7/307
D536,204	S	*	2/2007	Isett et al.	D7/305
D672,998	S	*	12/2012	Bonetto	D7/309

(73) Assignee: **Illycaffé S.p.A.**, Trieste (IT)

(**) Term: **14 Years**

* cited by examiner

(21) Appl. No.: **29/428,418**

Primary Examiner — Marianne Pandozzi

(22) Filed: **Jul. 31, 2012**

(74) *Attorney, Agent, or Firm* — Flaster/Greenberg P.C.

(30) **Foreign Application Priority Data**

(57) **CLAIM**

The ornamental design for a coffee maker, as shown and described.

Apr. 18, 2012 (EM) 2028779-0001

DESCRIPTION

(51) **LOC (10) Cl.** **07-01**

FIG. 1 is a perspective view of a coffee maker;
FIG. 2 is a front plan view of the coffee maker of FIG. 1;
FIG. 3 is a rear view of the coffee maker of FIG. 1;
FIG. 4 is a right side view of the coffee maker of FIG. 1;
FIG. 5 is a left side view of the coffee maker of FIG. 1;
FIG. 6 is a top view of the coffee maker of FIG. 1; and,
FIG. 7 is a bottom view of the coffee maker of FIG. 1.

(52) **U.S. Cl.**

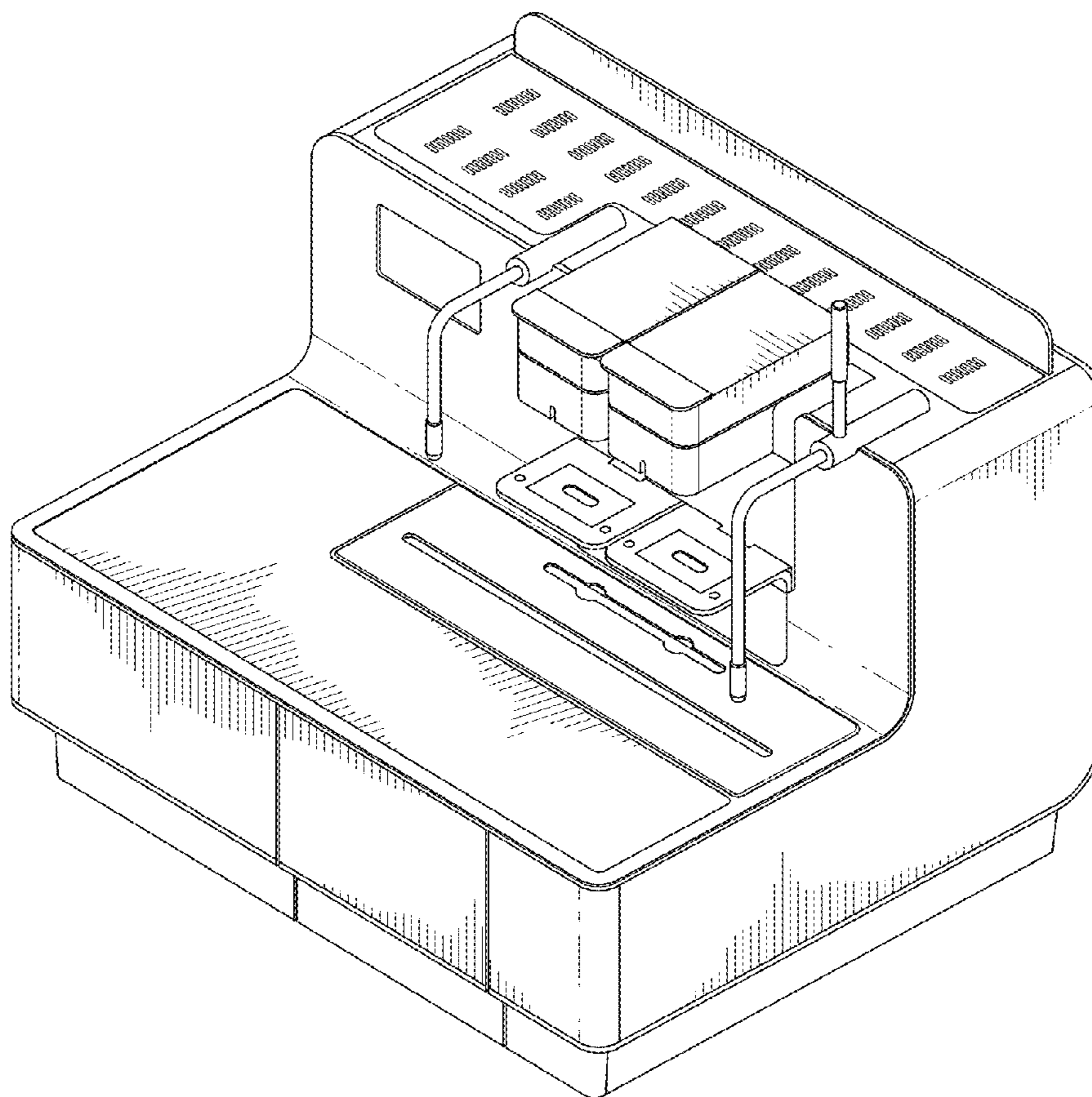
USPC **D7/309**; D7/308; D7/307; D7/311

(58) **Field of Classification Search**

USPC D7/306-311, 300, 305; 99/282, 279,
99/280, 300, 305; 222/146.5, 129.1

See application file for complete search history.

1 Claim, 7 Drawing Sheets



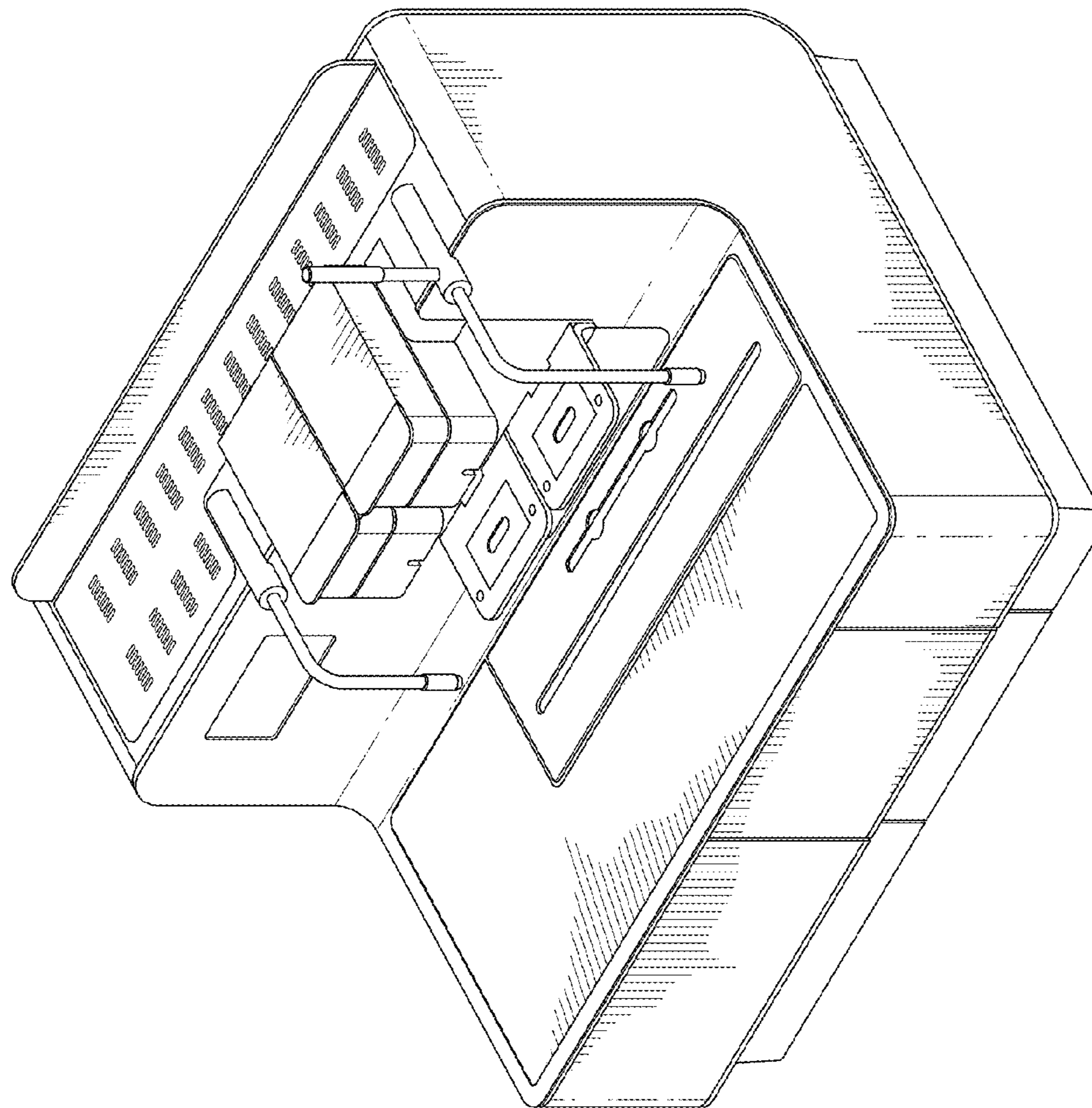


FIG.1

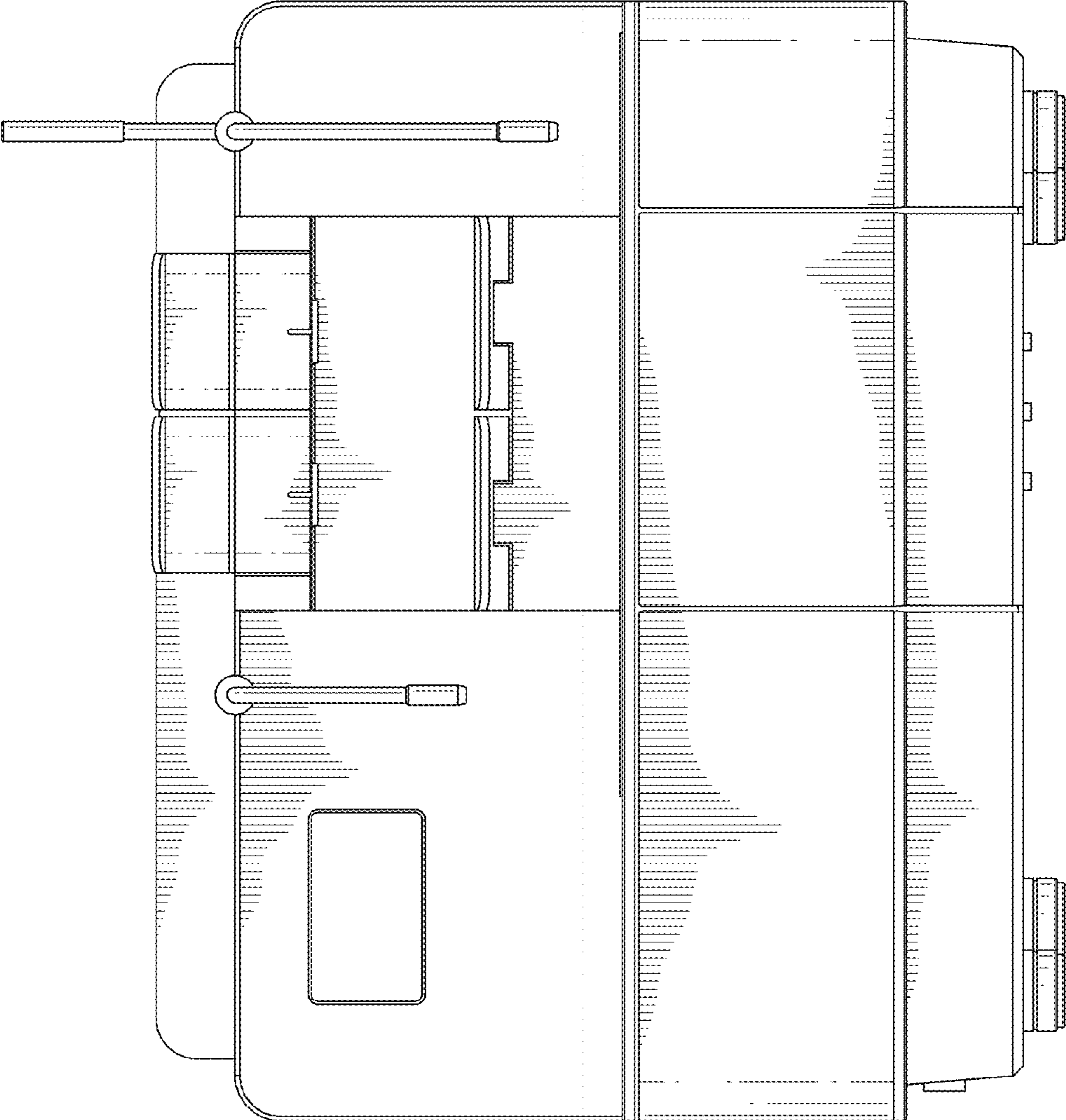


FIG.2

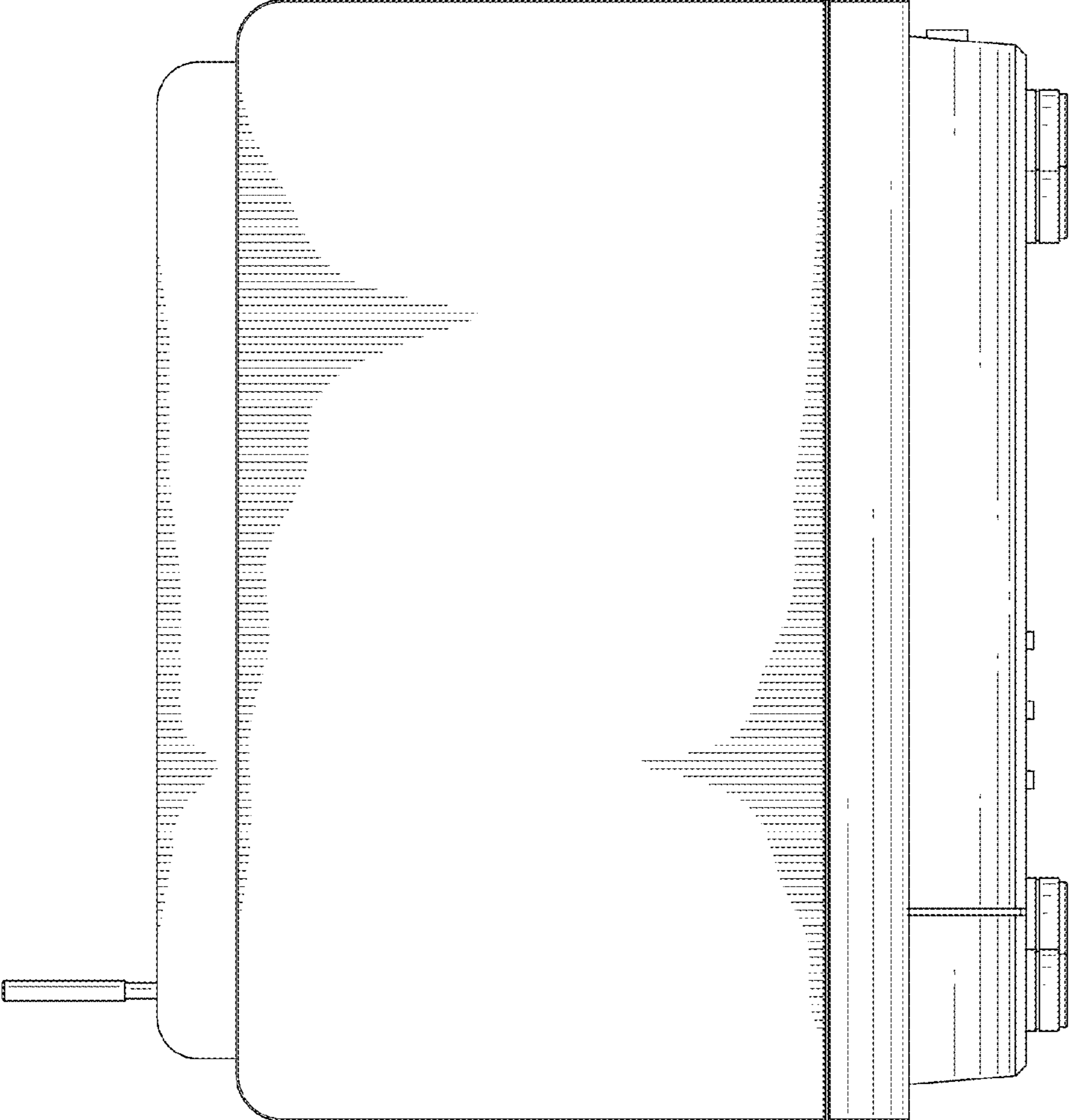


FIG. 3

Replacement Drawing

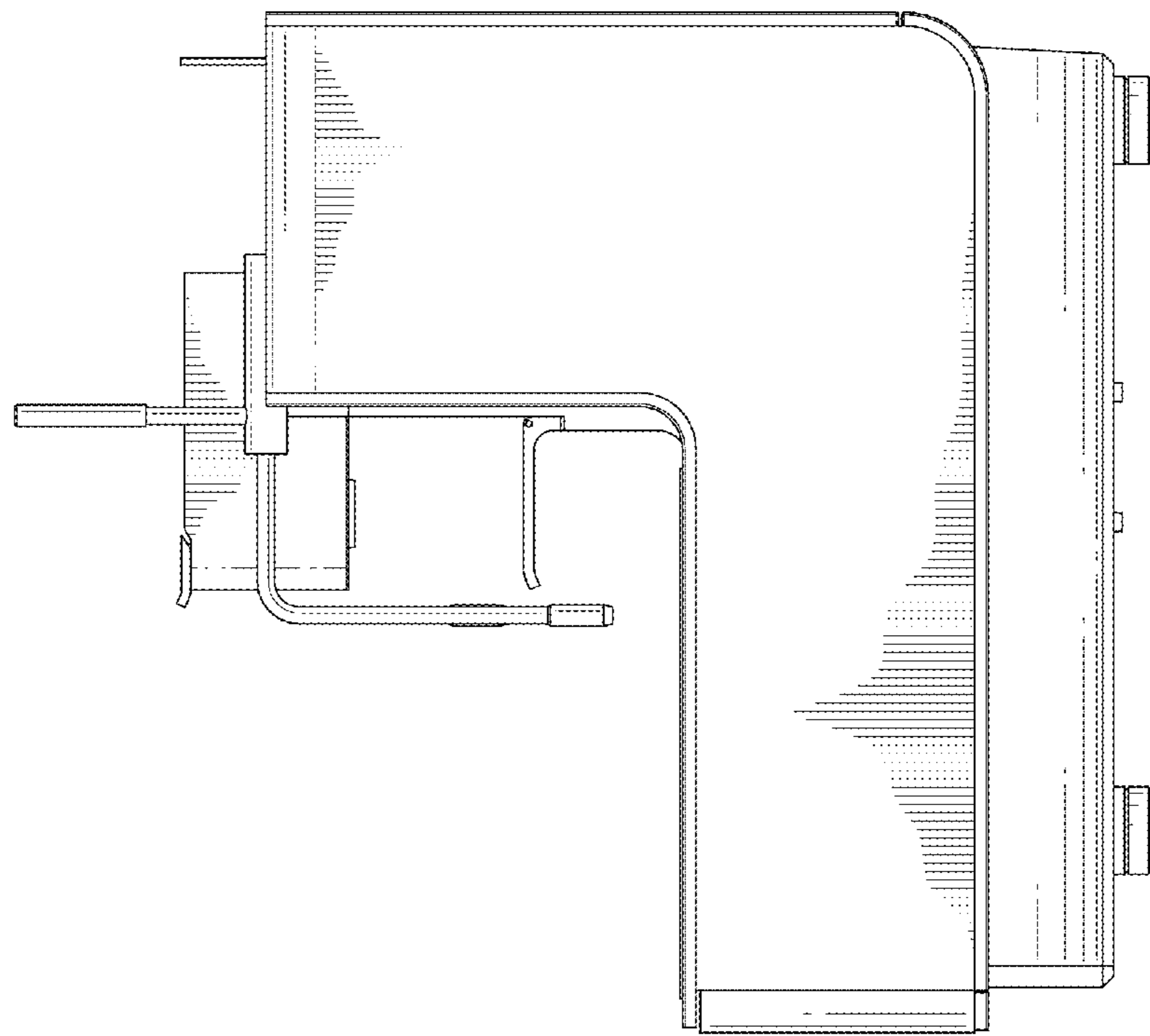


FIG. 4

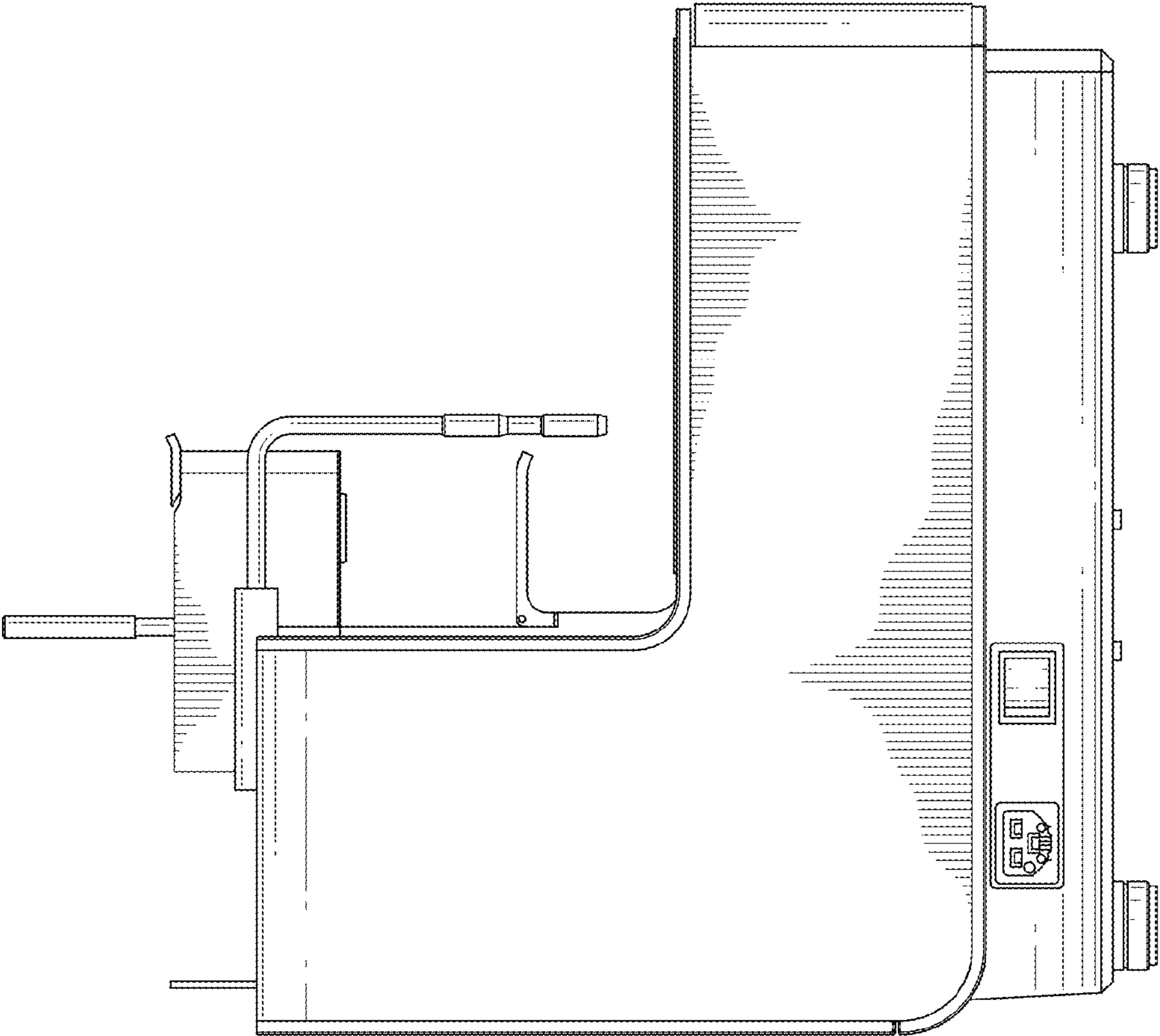


FIG. 5

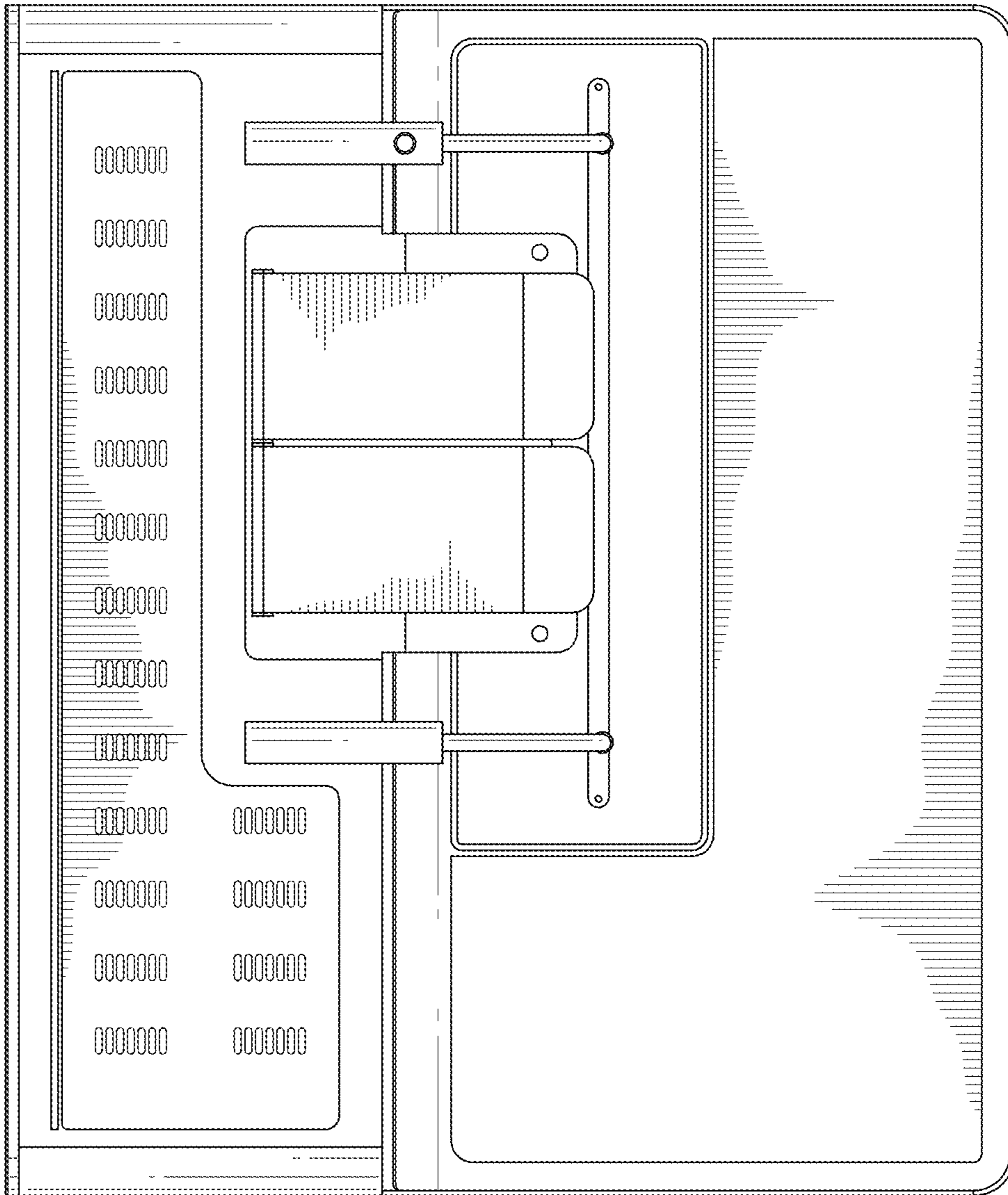


FIG. 6

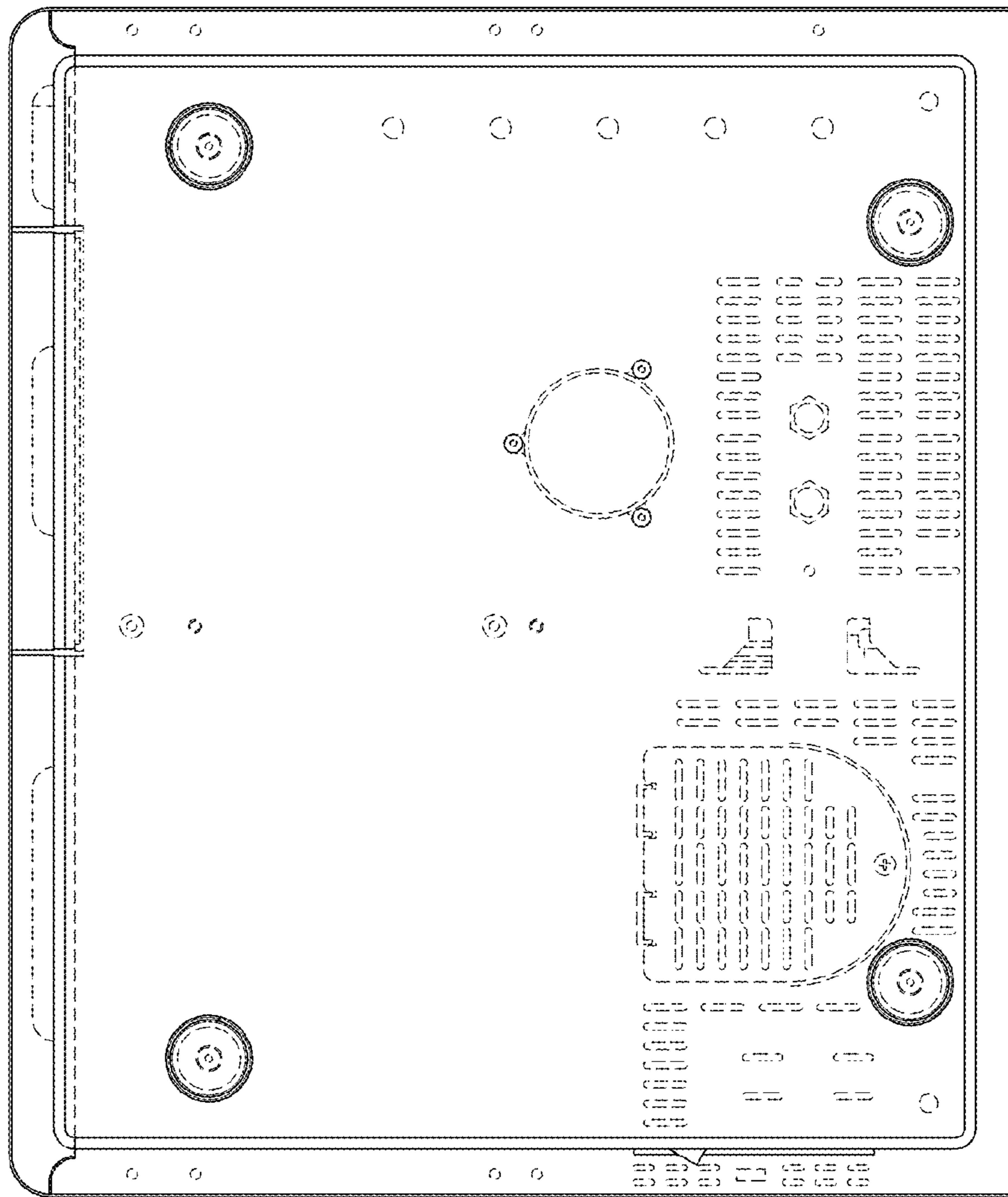


FIG. 7