



US00D700793S

(12) **United States Design Patent**  
**Marinelli**

(10) **Patent No.:** **US D700,793 S**  
(45) **Date of Patent:** **\*\* Mar. 11, 2014**

(54) **UTILITY STRAP ORGANIZER**

(71) Applicant: **Nicholas Carmen Marinelli**, Erie, PA  
(US)

(72) Inventor: **Nicholas Carmen Marinelli**, Erie, PA  
(US)

(\*\*) Term: **14 Years**

(21) Appl. No.: **29/471,276**

(22) Filed: **Oct. 30, 2013**

(51) **LOC (10) Cl.** ..... **06-06**

(52) **U.S. Cl.**  
USPC ..... **D6/675**

(58) **Field of Classification Search**  
USPC ..... D6/449-450, 466-468, 491-492, 495,  
D6/512-513, 553, 567, 672-673, 675;  
248/534-535, 200.1, 205.1, 207, 214,  
248/251, 309.1; 108/137-138

See application file for complete search history.

(56) **References Cited**

**U.S. PATENT DOCUMENTS**

D342,015 S *	12/1993	Andrejew	.....	D8/373
D365,315 S *	12/1995	Parker, Jr.	.....	D12/162
D401,196 S *	11/1998	Hartwig	.....	D12/162
D403,296 S *	12/1998	Thomas	.....	D12/417
D435,435 S *	12/2000	Shea	.....	D8/363
6,347,488 B1 *	2/2002	Koye	.....	52/40
D475,342 S *	6/2003	Mielnik	.....	D12/417
D478,271 S *	8/2003	McCoy et al.	.....	D8/376
D520,498 S *	5/2006	Lin et al.	.....	D14/230
7,040,586 B2 *	5/2006	Kusber et al.	.....	248/200.1
7,048,394 B2 *	5/2006	Takase et al.	.....	359/872
D585,667 S *	2/2009	Levy et al.	.....	D6/467
D596,017 S *	7/2009	Sato	.....	D8/380
D602,722 S *	10/2009	Sandine et al.	.....	D6/553
D617,255 S *	6/2010	Tezak et al.	.....	D12/400
D620,782 S *	8/2010	Wurdack	.....	D8/363
8,210,370 B2 *	7/2012	Botkin	.....	211/117
8,474,632 B2 *	7/2013	Yang et al.	.....	211/90.01

\* cited by examiner

*Primary Examiner* — Kelley Donnelly

(74) *Attorney, Agent, or Firm* — Jonathan M. D'Silva;  
MacDonald, Illig, Jones & Britton LLP

(57) **CLAIM**

The ornamental design for a utility strap organizer, as shown and described.

**DESCRIPTION**

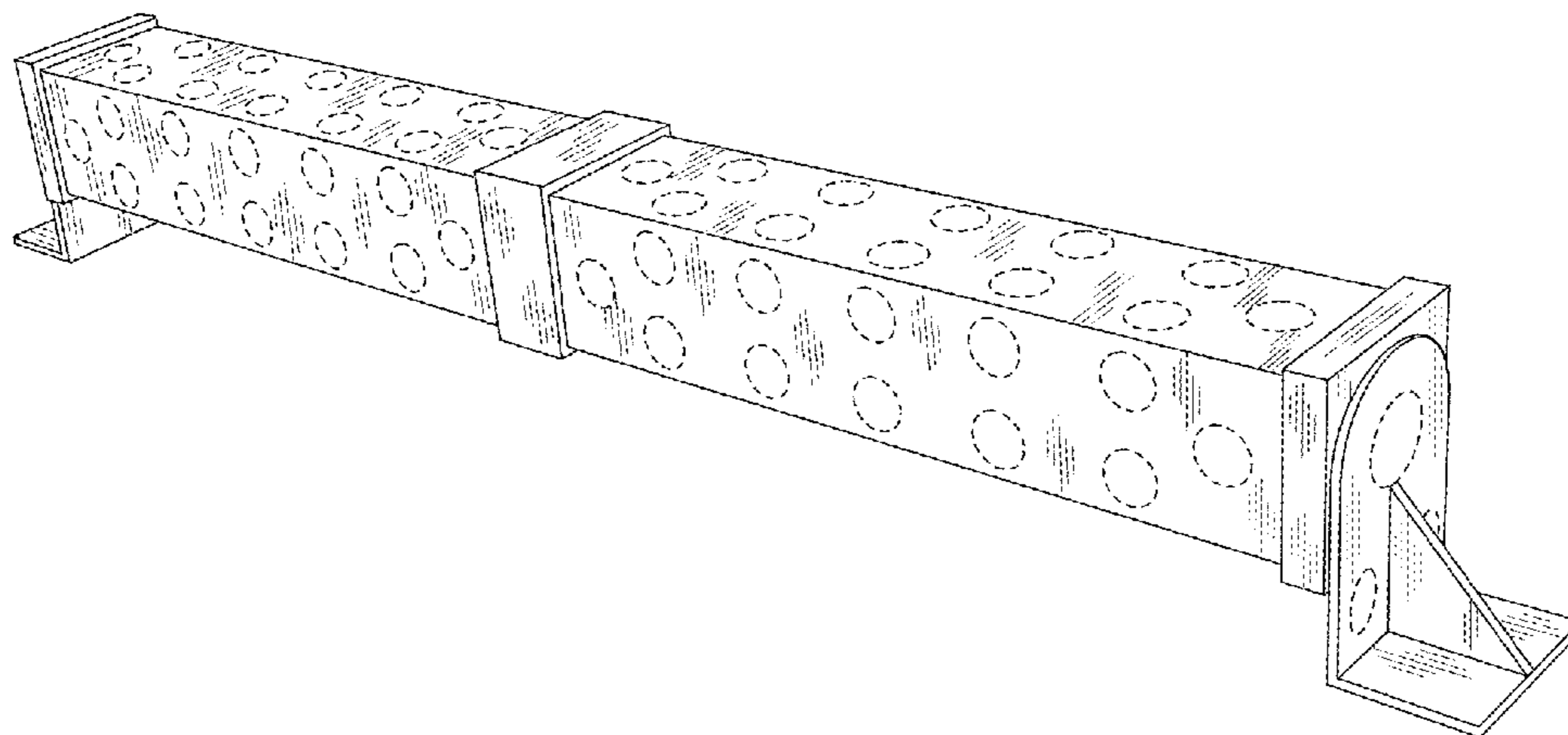
FIG. 1 is a perspective view of the utility strap organizer; FIG. 2 is a left facing side view of the utility strap organizer shown in FIG. 1; FIG. 3 is a right facing side view of the utility strap organizer shown in FIG. 1; FIG. 4 is a top view of the utility strap organizer shown in FIG. 1; FIG. 5 is a bottom view of the utility strap organizer shown in FIG. 1; FIG. 6 is a front end view of the utility strap organizer shown in FIG. 1; and, FIG. 7 is a rear end view of the utility strap organizer shown in FIG. 1.

The series of openings covering the elongated tube of the utility strap organizer incorporated in FIGS. 1-5 is illustrated with broken lines and is included for the purpose of illustrating the environment of the design only and forms no part of the claimed design.

The circular opening in end brackets along the axis of the elongated tube of the utility strap organizer incorporated in FIGS. 1, 6, and 7 is illustrated with broken lines and is included for the purpose of illustrating the environment of the design only and forms no part of the claimed design.

The two bracket openings on the end brackets of the utility strap organizer incorporated in FIGS. 1, 6, and 7 is illustrated with broken lines and is included for the purpose of illustrating the environment of the design only and forms no part of the claimed design.

**1 Claim, 2 Drawing Sheets**



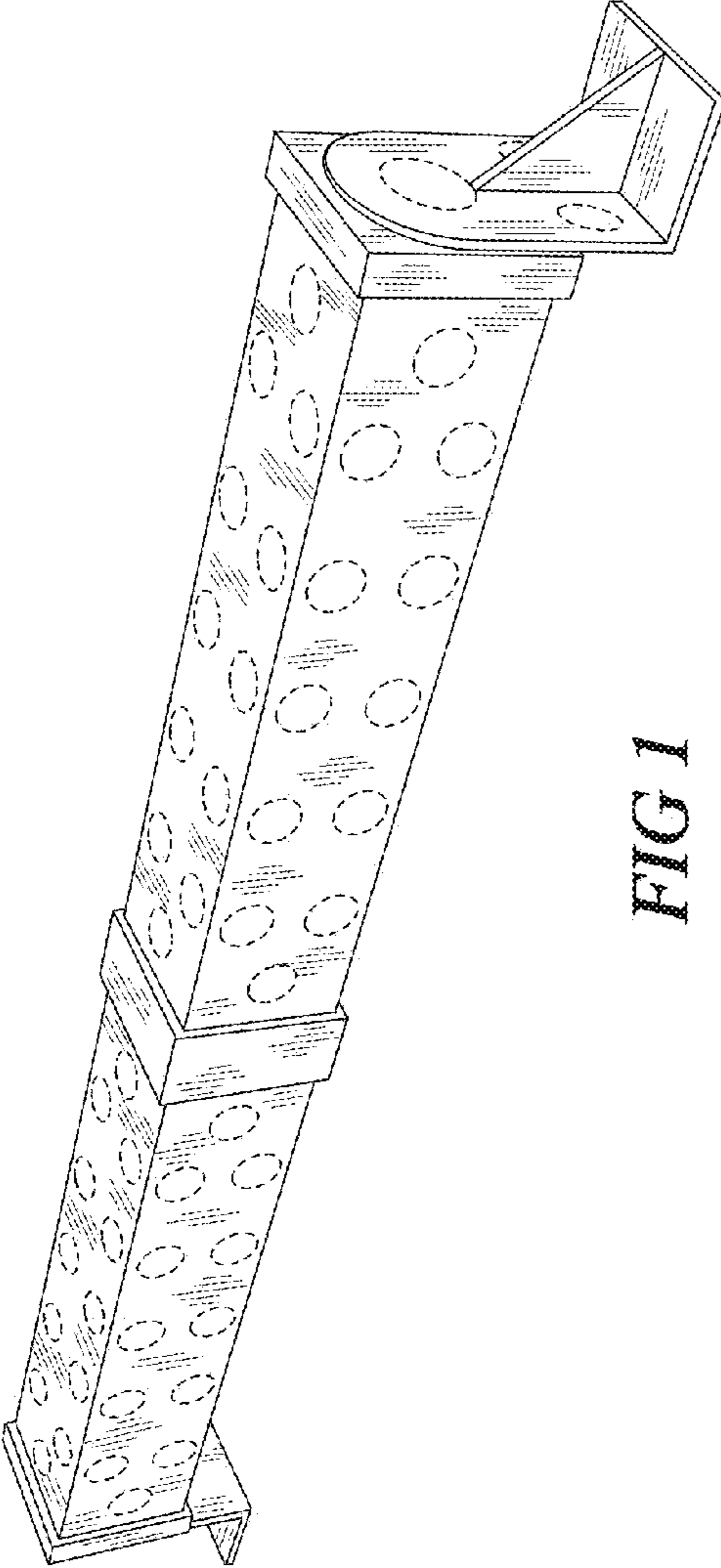


FIG 1

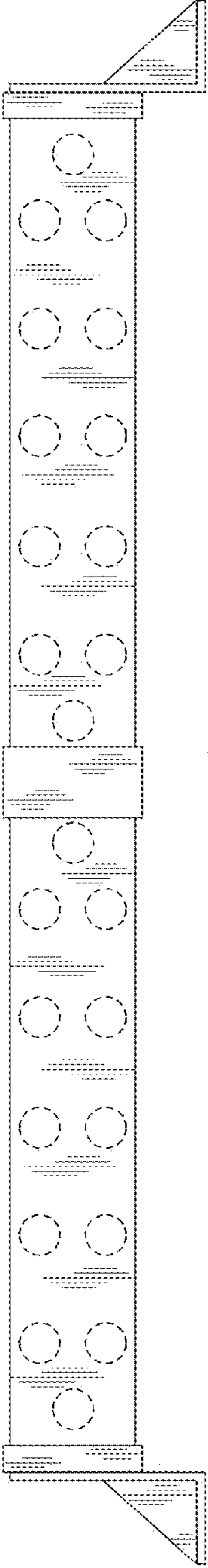


FIG 2

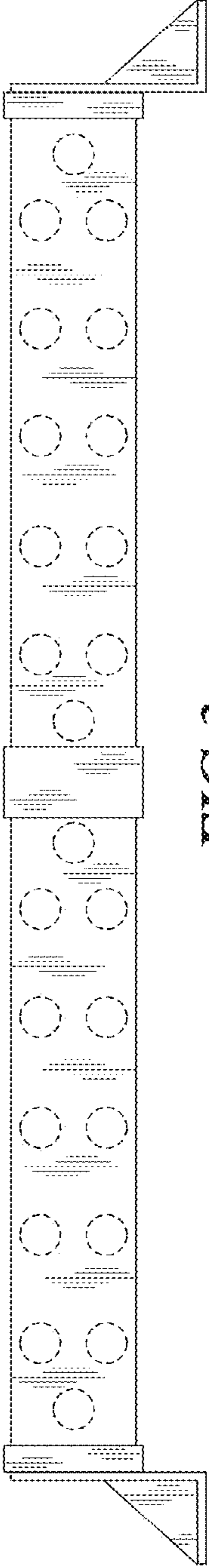
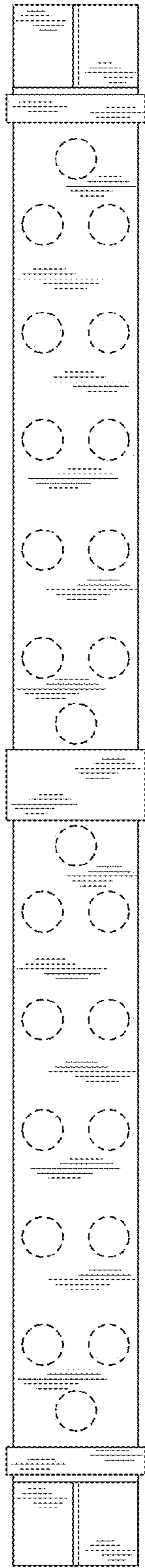
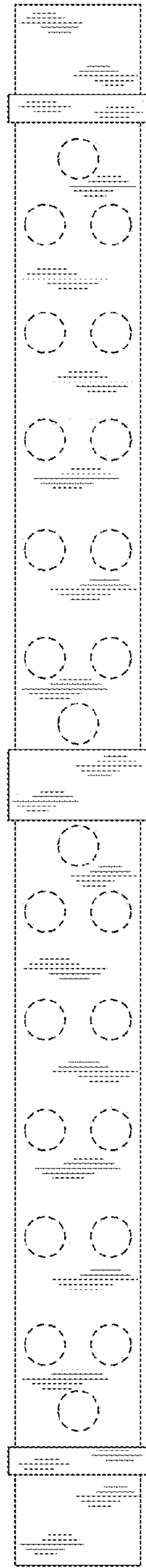


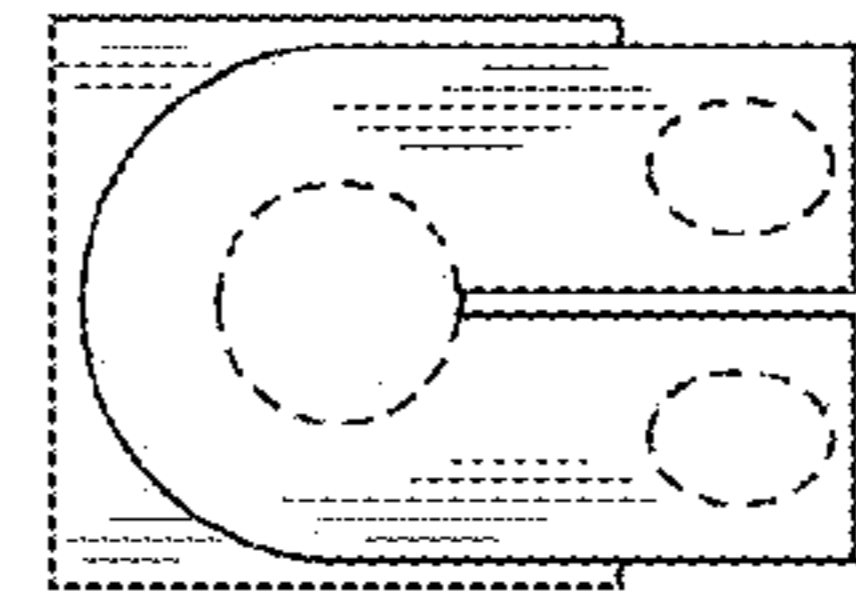
FIG 3



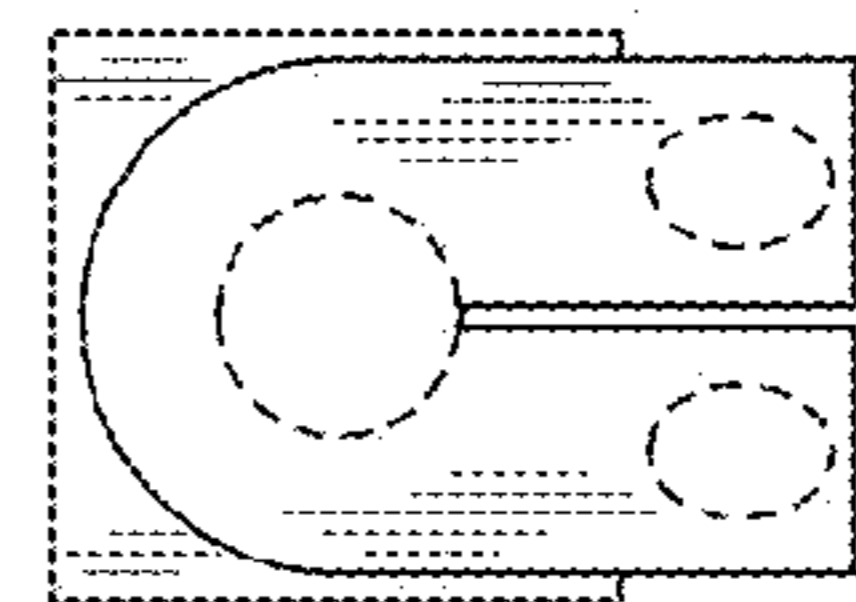
**FIG 4**



**FIG 5**



**FIG 7**



**FIG 6**