



US00D700792S

(12) **United States Design Patent**  
**Melton**

(10) **Patent No.:** **US D700,792 S**  
(45) **Date of Patent:** **\*\* Mar. 11, 2014**

- (54) **SUPPORT BASE FOR USE WITH RESISTANCE BANDS**
- (71) Applicant: **Stephen Paul Melton**, Central City, KY (US)
- (72) Inventor: **Stephen Paul Melton**, Central City, KY (US)
- (\*\*) Term: **14 Years**
- (21) Appl. No.: **29/470,531**
- (22) Filed: **Oct. 22, 2013**
- (51) **LOC (10) Cl.** ..... **06-06**
- (52) **U.S. Cl.**  
USPC ..... **D6/675**
- (58) **Field of Classification Search**  
USPC ..... D6/396-397, 449, 491, 552, 675, 702, D6/706, 707, 707.13, 708; 108/51.3, 108/57.16, 57.17, 57.18, 57.21; 248/188, 248/188.1, 188.2, 188.4, 346.01, 346.03; 312/24, 140, 265.5, 265.6, 194-195; D21/334, 338, 385, 694  
See application file for complete search history.

D373,271	S	*	9/1996	Rosh et al.	.....	D6/552
5,961,390	A		10/1999	Hoffman		
6,299,569	B1	*	10/2001	Rich	.....	482/123
6,419,586	B1		7/2002	Chiu		
D482,748	S	*	11/2003	Flynt	.....	D21/692
D488,300	S	*	4/2004	Lopez	.....	D3/319
6,874,851	B2		4/2005	Hoffmann et al.		
7,008,359	B2		3/2006	Fan et al.		
7,431,681	B1	*	10/2008	St. Cyr	.....	482/121
7,601,107	B2		10/2009	Maloy et al.		
D606,134	S	*	12/2009	Bizzell	.....	D21/688
D610,638	S	*	2/2010	Friess et al.	.....	D21/686
7,658,700	B2		2/2010	Maloy et al.		
D617,582	S	*	6/2010	Zalewski	.....	D6/491
D626,743	S	*	11/2010	Fairchild et al.	.....	D3/259
D627,535	S	*	11/2010	Hermans	.....	D34/38
D630,568	S	*	1/2011	Melia	.....	D12/222
D634,145	S	*	3/2011	Lai	.....	D6/552
7,946,969	B1	*	5/2011	Friess et al.	.....	482/123
D661,519	S	*	6/2012	James et al.	.....	D6/492
2012/0115692	A1		5/2012	Bussen et al.		

\* cited by examiner

*Primary Examiner* — Kelley Donnelly  
(74) *Attorney, Agent, or Firm* — Laura M. Hagan; Kerrick Stivers Coyle PLC

(57) **CLAIM**  
I claim the ornamental design for a support base for use with resistance bands, as shown and described.

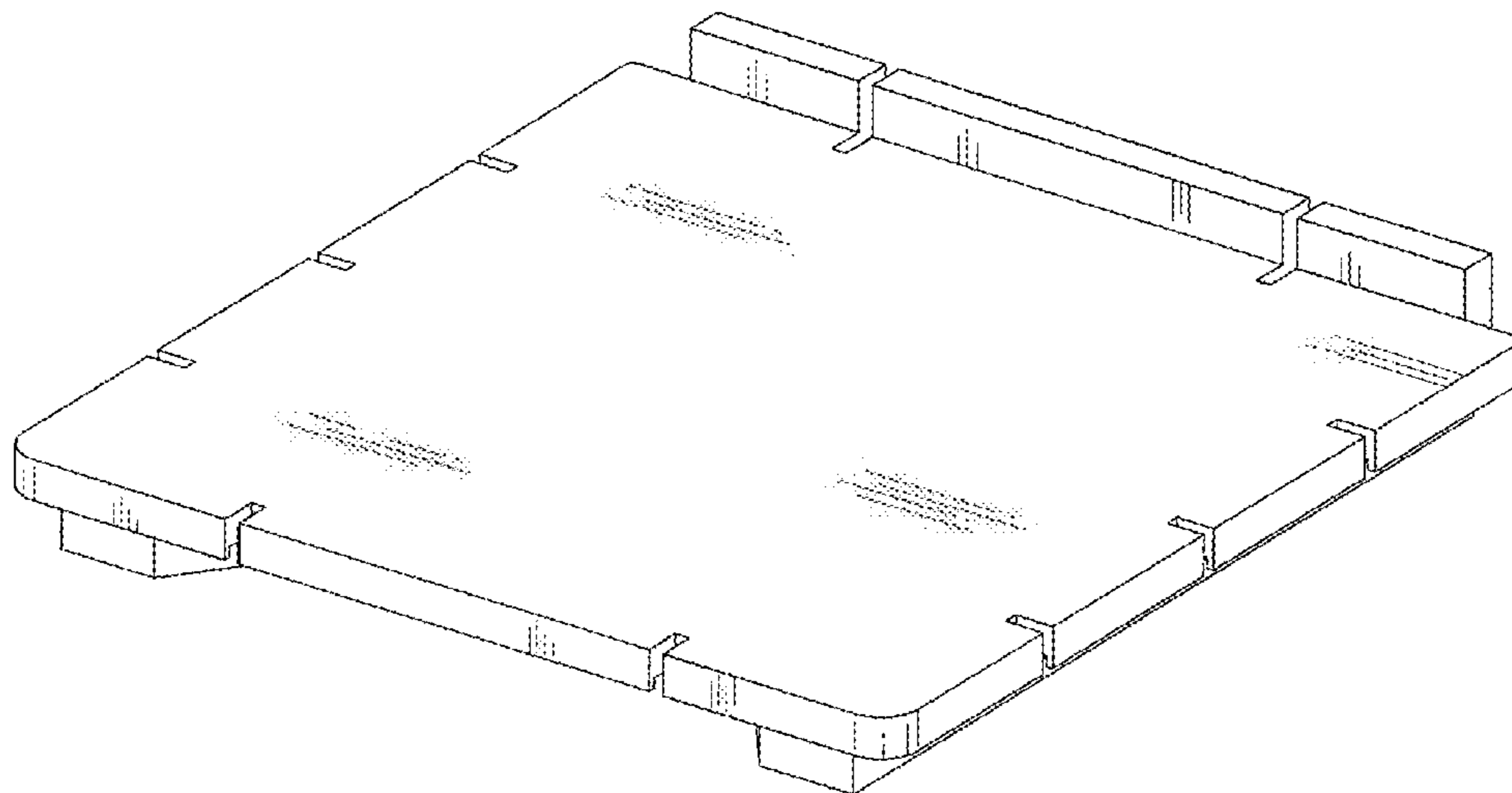
(56) **References Cited**  
U.S. PATENT DOCUMENTS

3,117,781	A		1/1964	Vergo		
3,260,522	A		1/1964	White et al.		
3,294,196	A		5/1965	Rabelos		
4,371,162	A		2/1983	Hartzell		
4,403,773	A	*	9/1983	Swann	.....	482/130
4,478,413	A	*	10/1984	Siwula	.....	482/127
D305,445	S	*	1/1990	Ramos, Jr.	.....	D21/686
4,982,958	A	*	1/1991	Ullman	.....	482/123
D319,272	S	*	8/1991	Rushatz et al.	.....	D21/686
5,067,706	A		11/1991	Tsai		
D353,527	S	*	12/1994	Drake	.....	D8/71
5,529,562	A		6/1996	Glaser		
5,547,446	A		8/1996	Szabo		

**DESCRIPTION**

FIG. 1 is a top, front, right side perspective view of the support base for use with resistance bands, showing my new design; FIG. 2 is bottom, front, left side perspective view thereof; FIG. 3 is a top plan view thereof; FIG. 4 is a bottom plan view thereof; FIG. 5 is a front elevation view thereof; FIG. 6 is a rear elevation view thereof; and, FIG. 7 is a right side elevation view thereof, the left side elevation view being a mirror image thereof.

**1 Claim, 6 Drawing Sheets**



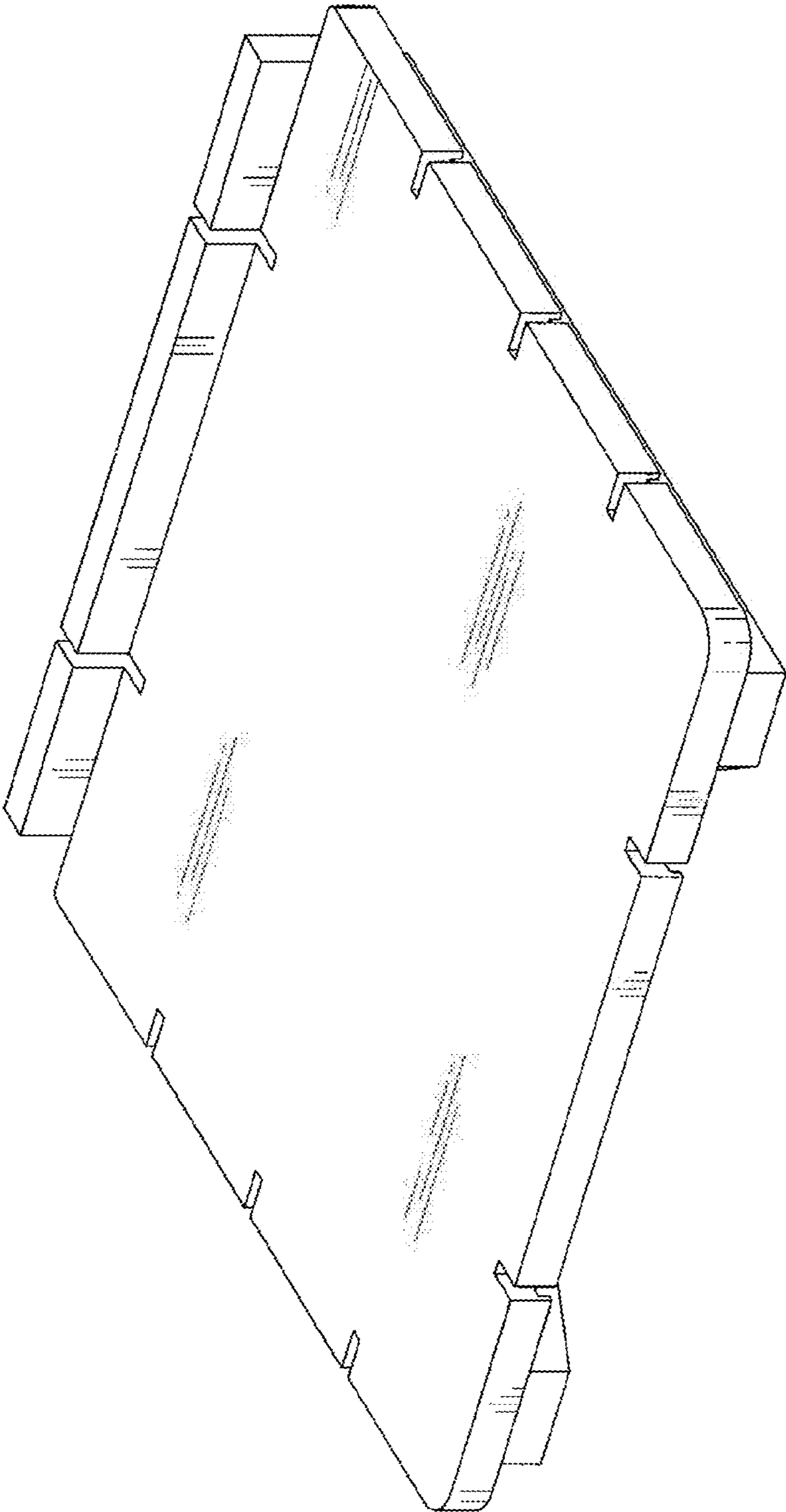


FIG. 1

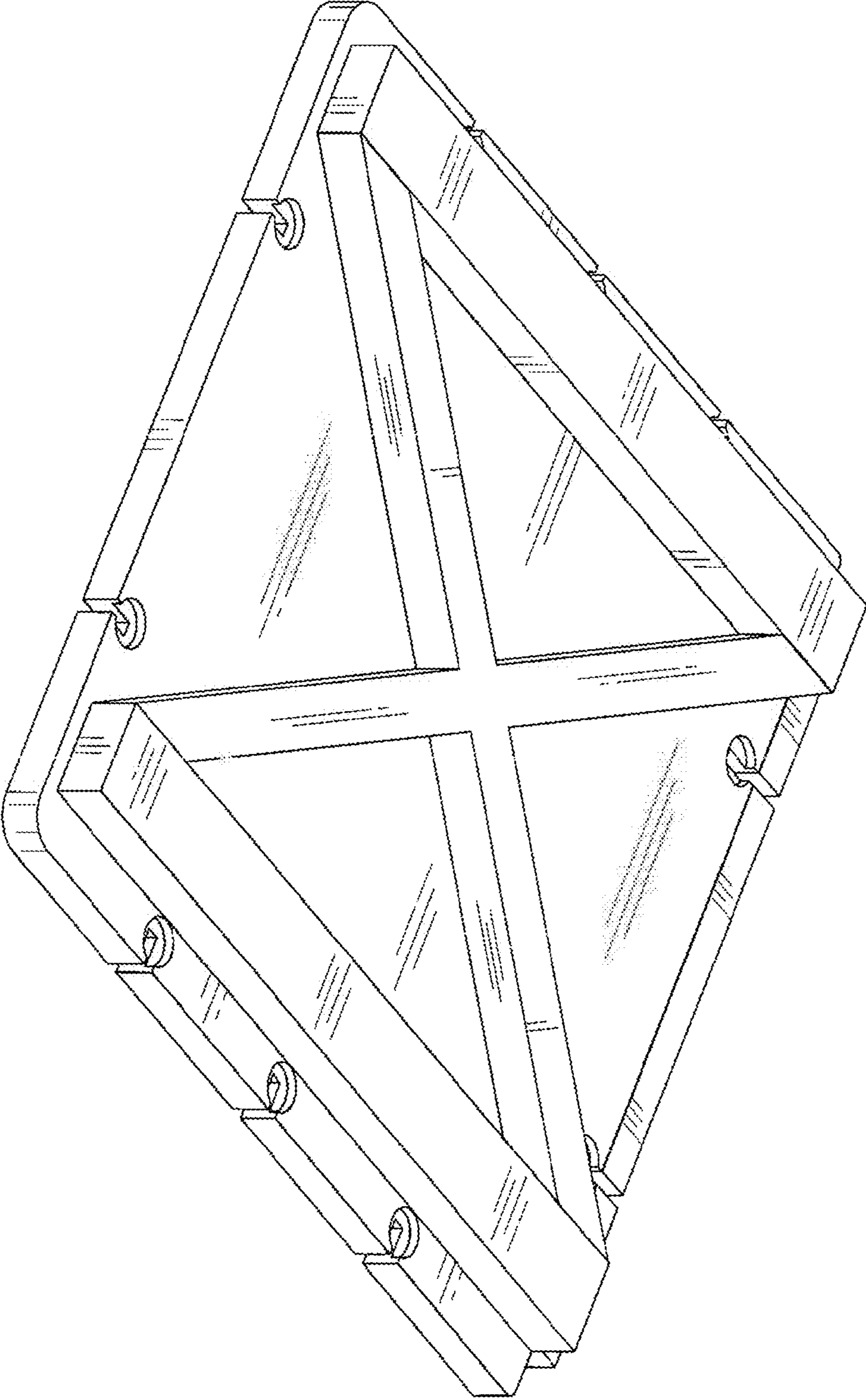


FIG. 2

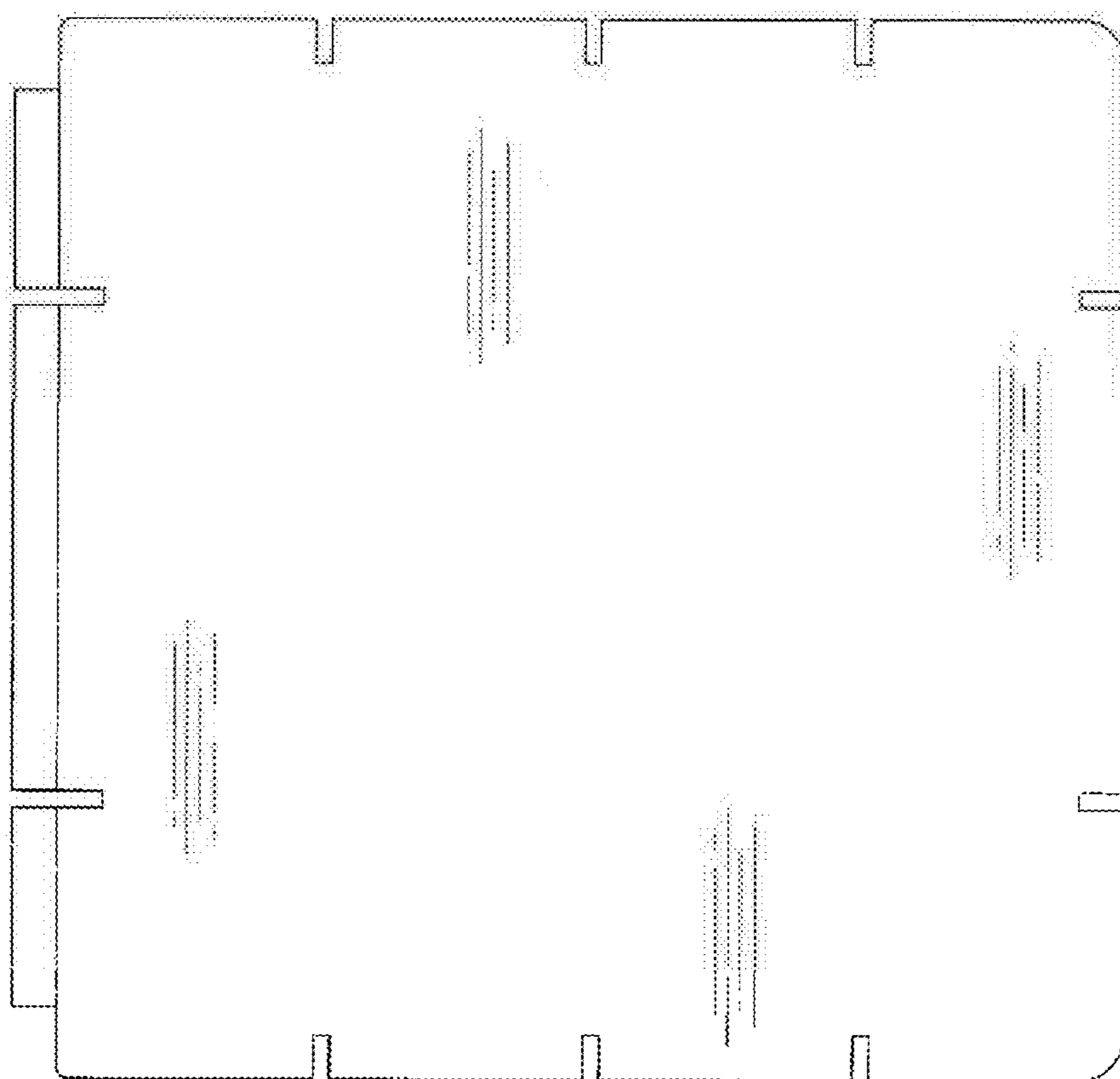


FIG. 3

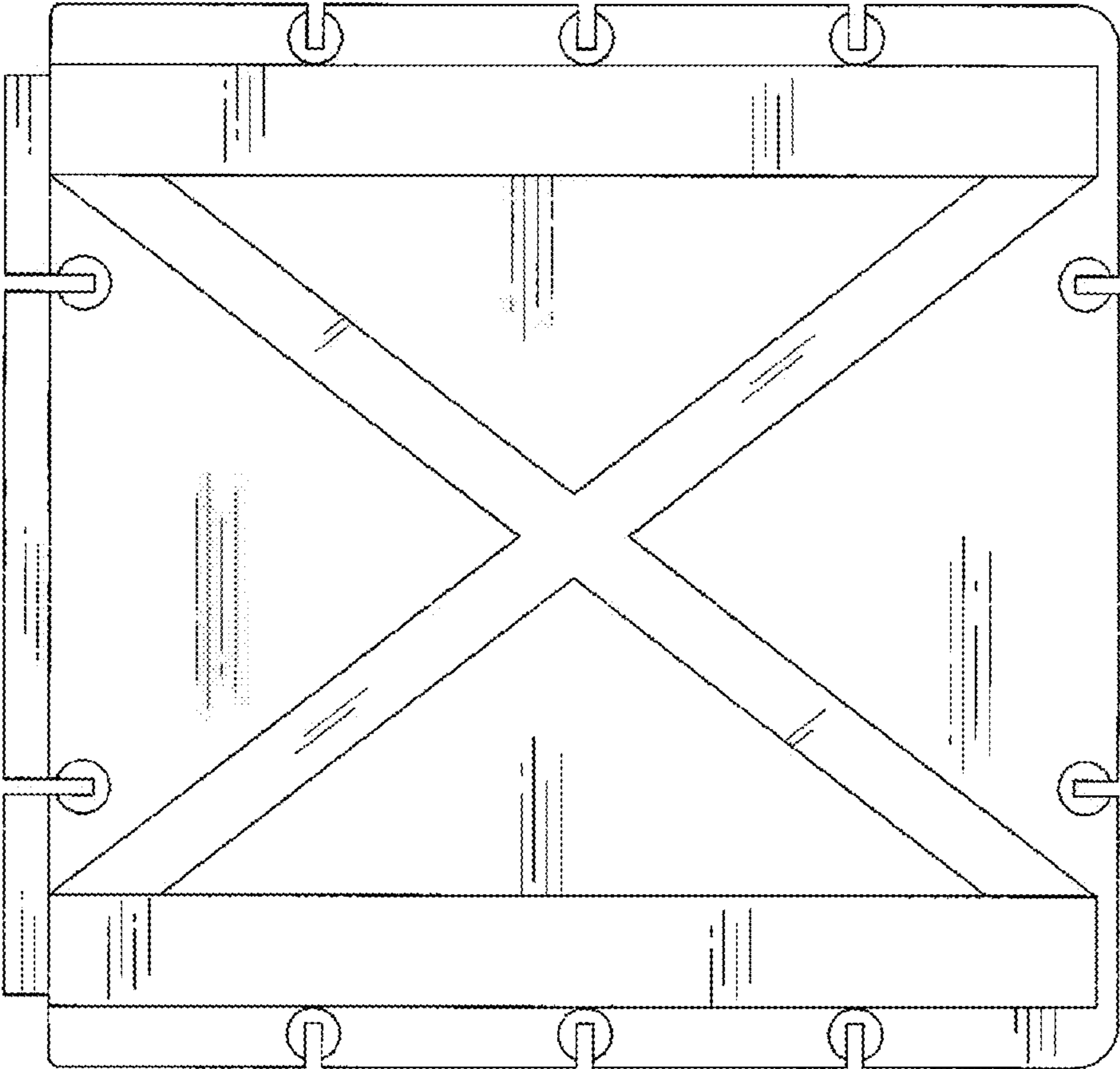


FIG. 4

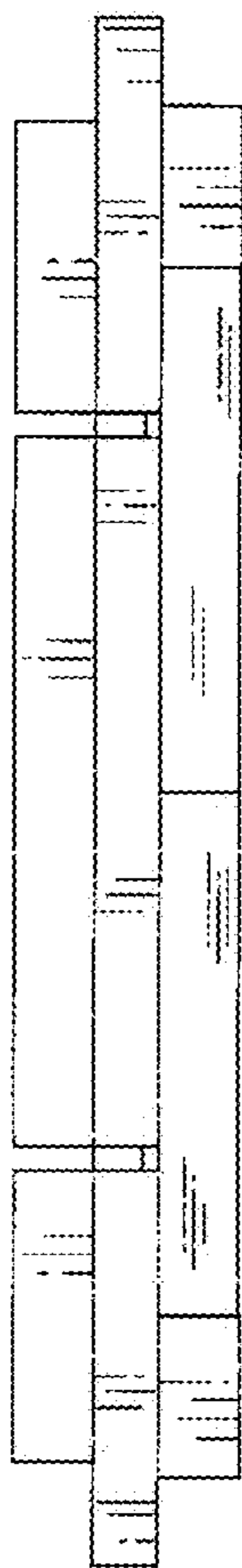


FIG. 5

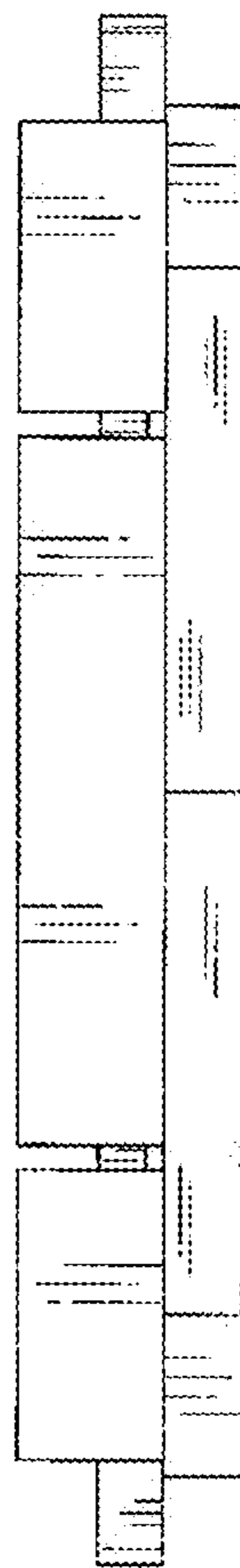


FIG. 6

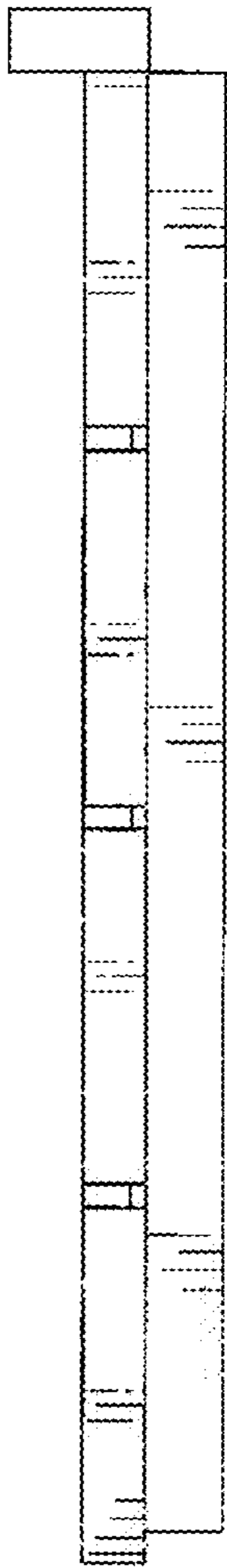


FIG. 7