



US00D700791S

(12) **United States Design Patent**  
**Curtis**

(10) **Patent No.:** **US D700,791 S**  
(45) **Date of Patent:** **\*\* Mar. 11, 2014**

- (54) **SET OF BED SHEETS**
- (71) Applicant: **Janice Curtis**, St. Petersburg, FL (US)
- (72) Inventor: **Janice Curtis**, St. Petersburg, FL (US)
- (\*\*) Term: **14 Years**
- (21) Appl. No.: **29/433,096**
- (22) Filed: **Sep. 26, 2012**
- (51) **LOC (10) Cl.** ..... **06-09**
- (52) **U.S. Cl.**  
USPC ..... **D6/602**
- (58) **Field of Classification Search**  
USPC ..... D6/596, 602, 603, 608, 597; 5/482,  
5/484, 485, 486, 488, 495-502, 417, 420  
See application file for complete search history.

- 6,859,962 B2 \* 3/2005 Diak/Ghanem ..... 5/499
- 6,886,197 B1 \* 5/2005 Madigan ..... 5/482
- D593,788 S \* 6/2009 Thompson ..... D6/602
- 8,117,692 B1 \* 2/2012 Richards ..... 5/484

\* cited by examiner

*Primary Examiner* — Janice Seeger

(74) *Attorney, Agent, or Firm* — Edward P Dutkiewicz

(57) **CLAIM**

The ornamental design for a set of bed sheets, as shown and described.

**DESCRIPTION**

FIG. 1 is a right side elevational view of the bed sheet system showing my new design, the left side elevational view and the right side elevational view being identical;  
 FIG. 2 is a front elevational view, the rear elevational view and the front elevational view being identical;  
 FIG. 3 is top plan view.  
 FIG. 4 is a bottom plan view of the bed sheet system. The straps are shown in a broken line indicating that the straps and buckles are not part of the claim and are shown for environmental purposes only; and,  
 FIG. 5 is an exploded view of the top sheet and the bottom sheet, demonstrating how the top sheet is aligned with the bottom sheet.

(56) **References Cited**

U.S. PATENT DOCUMENTS

- 3,020,566 A \* 2/1962 Anderson et al. .... 5/497
- 3,654,059 A \* 4/1972 Zisblatt ..... 428/41.5
- 4,488,323 A \* 12/1984 Colburn ..... 5/692
- 4,937,904 A \* 7/1990 Ross ..... 5/497
- D313,140 S \* 12/1990 Johnson ..... D6/596
- 5,042,099 A \* 8/1991 Brenner et al. .... 5/502
- 5,195,197 A \* 3/1993 Gutierrez et al. .... 5/500
- 5,263,212 A \* 11/1993 Garcia ..... 5/496
- 5,572,754 A \* 11/1996 Lazar et al. .... 5/494

**1 Claim, 3 Drawing Sheets**

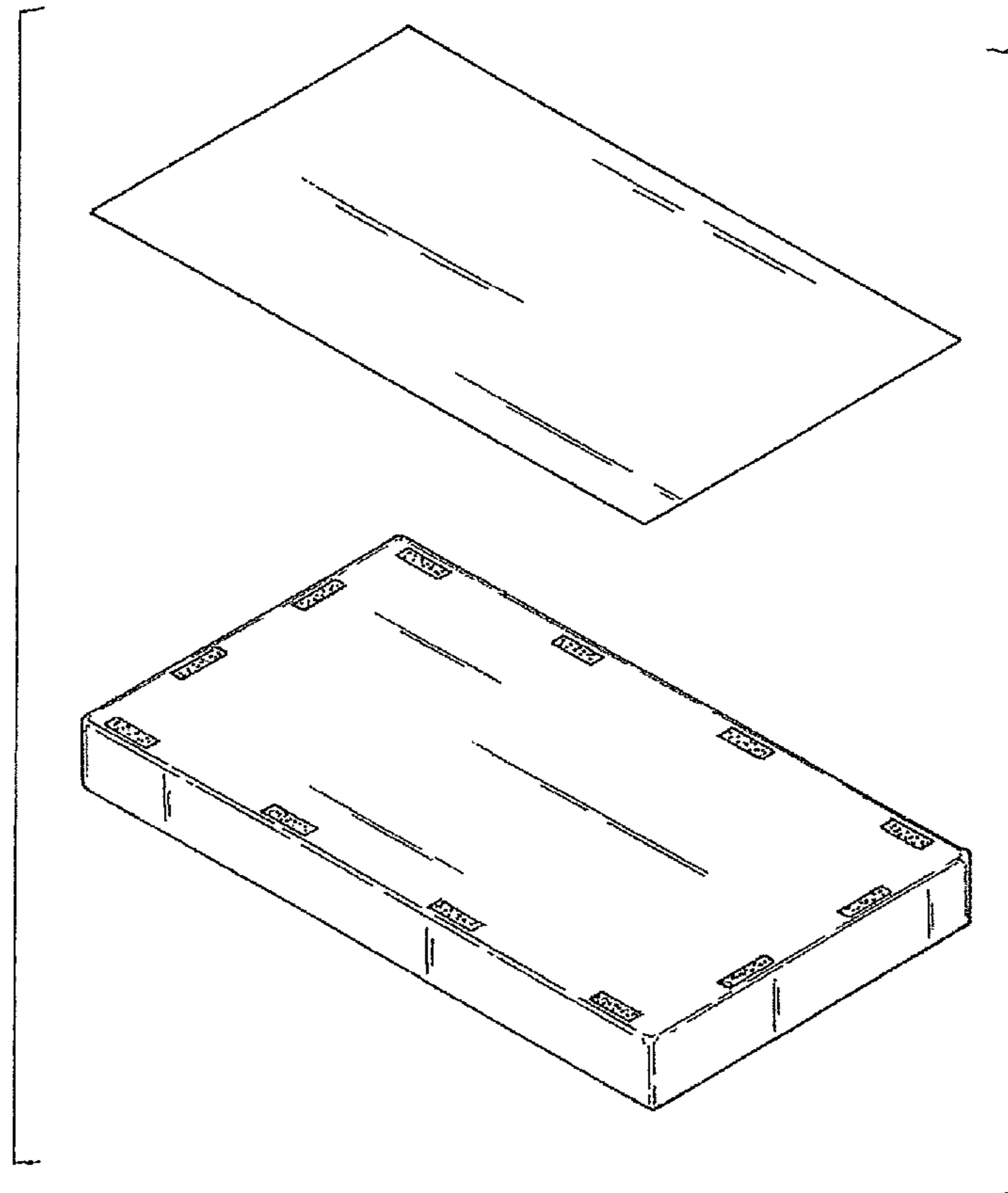


FIG. 1

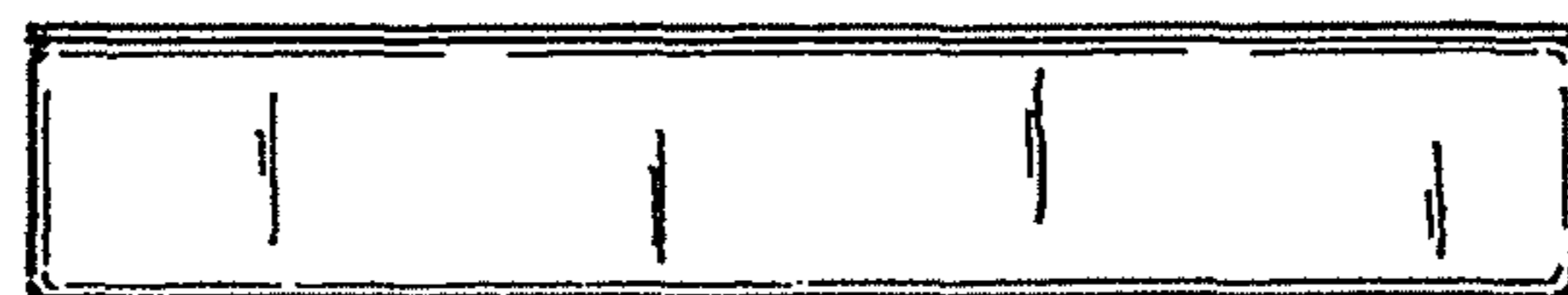


FIG. 2

FIG. 3

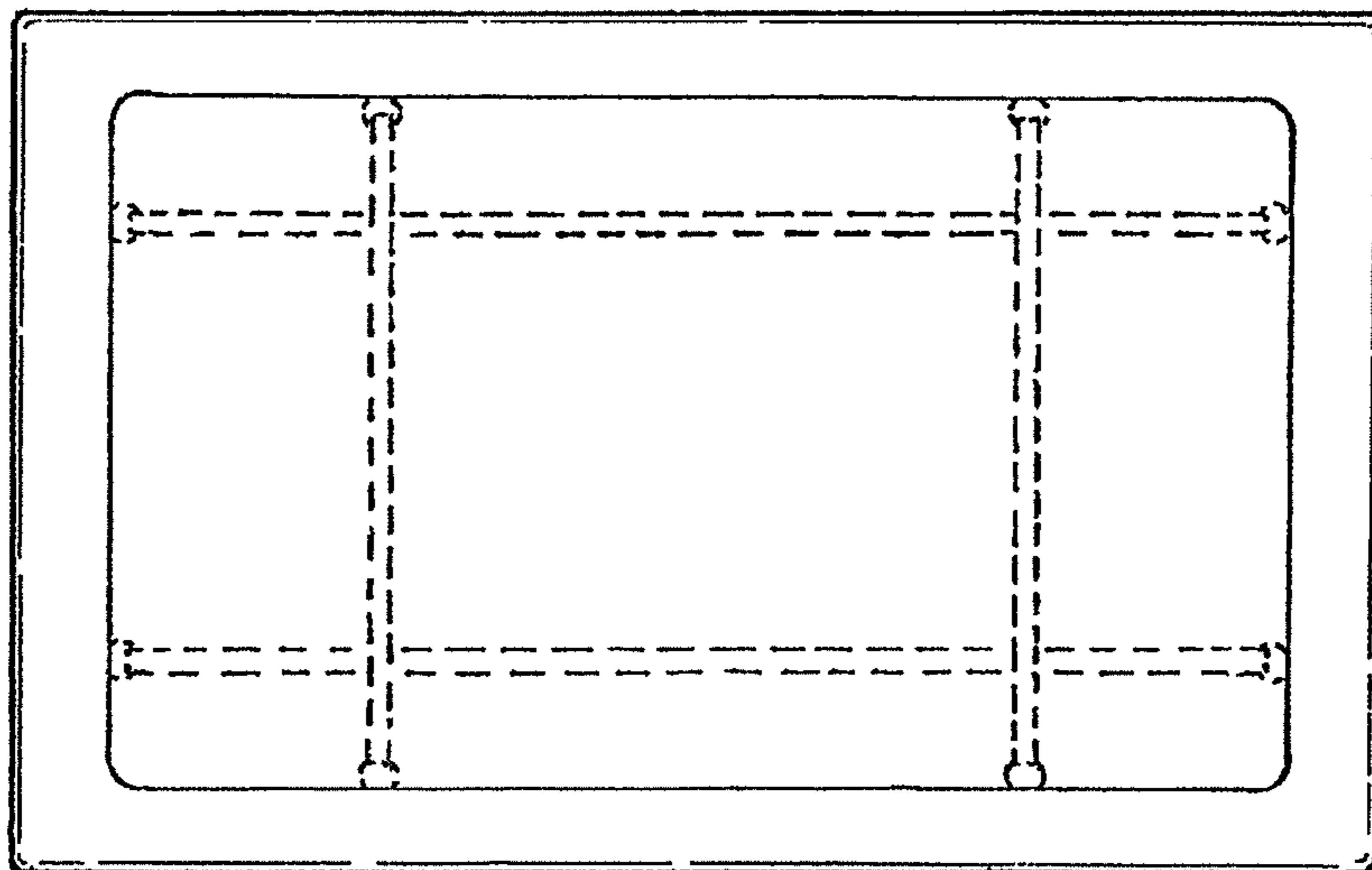
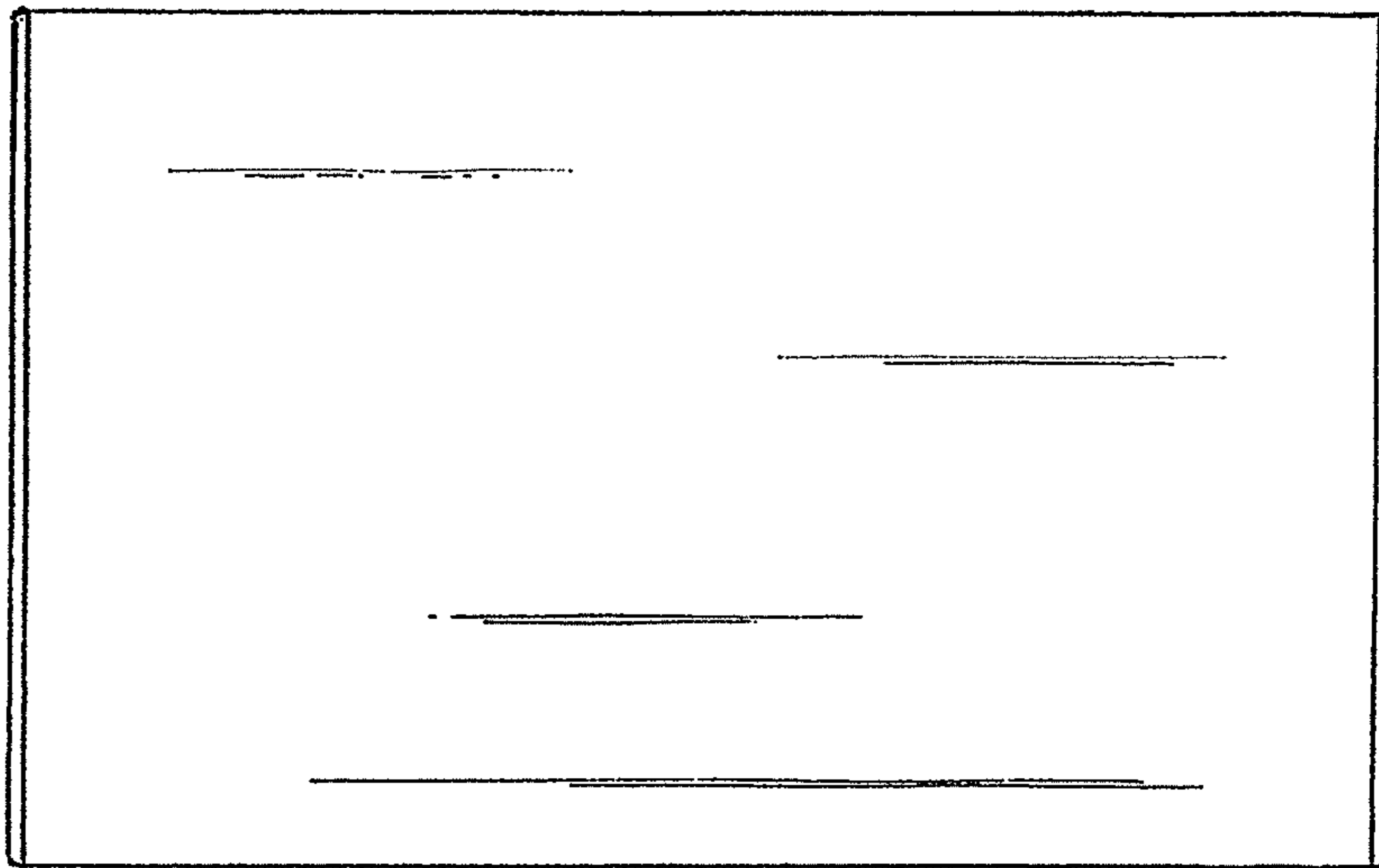


FIG. 4

