



US00D700785S

(12) **United States Design Patent**
Berglund

(10) **Patent No.:** **US D700,785 S**
(45) **Date of Patent:** **** Mar. 11, 2014**

- (54) **HANGER**
- (71) Applicant: **Stephen Berglund**, Fresno, CA (US)
- (72) Inventor: **Stephen Berglund**, Fresno, CA (US)
- (**) Term: **14 Years**
- (21) Appl. No.: **29/460,437**
- (22) Filed: **Jul. 10, 2013**

Related U.S. Application Data

- (62) Division of application No. 29/447,650, filed on Mar. 5, 2013, now Pat. No. Des. 688,867.
- (51) **LOC (10) Cl.** **06-08**
- (52) **U.S. Cl.**
USPC **D6/319**
- (58) **Field of Classification Search**
USPC D6/315-328; 223/85-98; 211/13.1, 10,
211/86.01, 87.01, 85.2, 113; D9/443;
D8/301, 306
See application file for complete search history.

(56) **References Cited**

U.S. PATENT DOCUMENTS

1,305,797 A	6/1919	Henderson	
1,452,644 A	4/1923	Kennedy	
1,463,002 A	7/1923	Barnet	
1,476,423 A	12/1923	Salisbury	
1,537,956 A	5/1925	McNally	
1,666,704 A	4/1928	Hunter	
1,870,169 A	8/1932	Brown	
2,088,232 A	7/1937	Cumming	
D115,502 S	7/1939	Kohl	
2,170,841 A	8/1939	Thies et al.	
2,210,755 A	8/1940	Frank	
2,534,380 A	12/1950	Schwartzman	
2,637,424 A	5/1953	Duskin	
D174,064 S *	2/1955	Snook	D6/319
D179,745 S *	2/1957	Snook	D6/319

2,815,785 A	12/1957	Vail
2,861,735 A	11/1958	Faltin
3,142,324 A	7/1964	Fremont
3,164,187 A	1/1965	Simmons
3,388,777 A	6/1968	Nolan
3,495,763 A	2/1970	Schmidt et al.
3,558,038 A	1/1971	Gelles et al.
D223,700 S	5/1972	Kamins et al.
3,670,947 A	6/1972	Tangredi et al.
3,929,224 A	12/1975	Smith, Jr.
3,934,497 A	1/1976	Hannah
D242,764 S	12/1976	Kamins
4,000,768 A	1/1977	Siegel
4,084,689 A	4/1978	Yamagata
4,189,036 A	2/1980	Pelavin

(Continued)

OTHER PUBLICATIONS

Cleaner's Supply advertisement for "Converta" bag dated Jan. 4, 2010.

(Continued)

Primary Examiner — Derrick Holland

Assistant Examiner — Lauren Calve

(74) *Attorney, Agent, or Firm* — Mark D. Miller

(57) **CLAIM**

I claim the ornamental design for a hanger, as shown and described.

DESCRIPTION

FIG. 1 is a front perspective view of a hanger showing my new design;

FIG. 2 is a rear perspective view thereof;

FIG. 3 is front elevational view thereof;

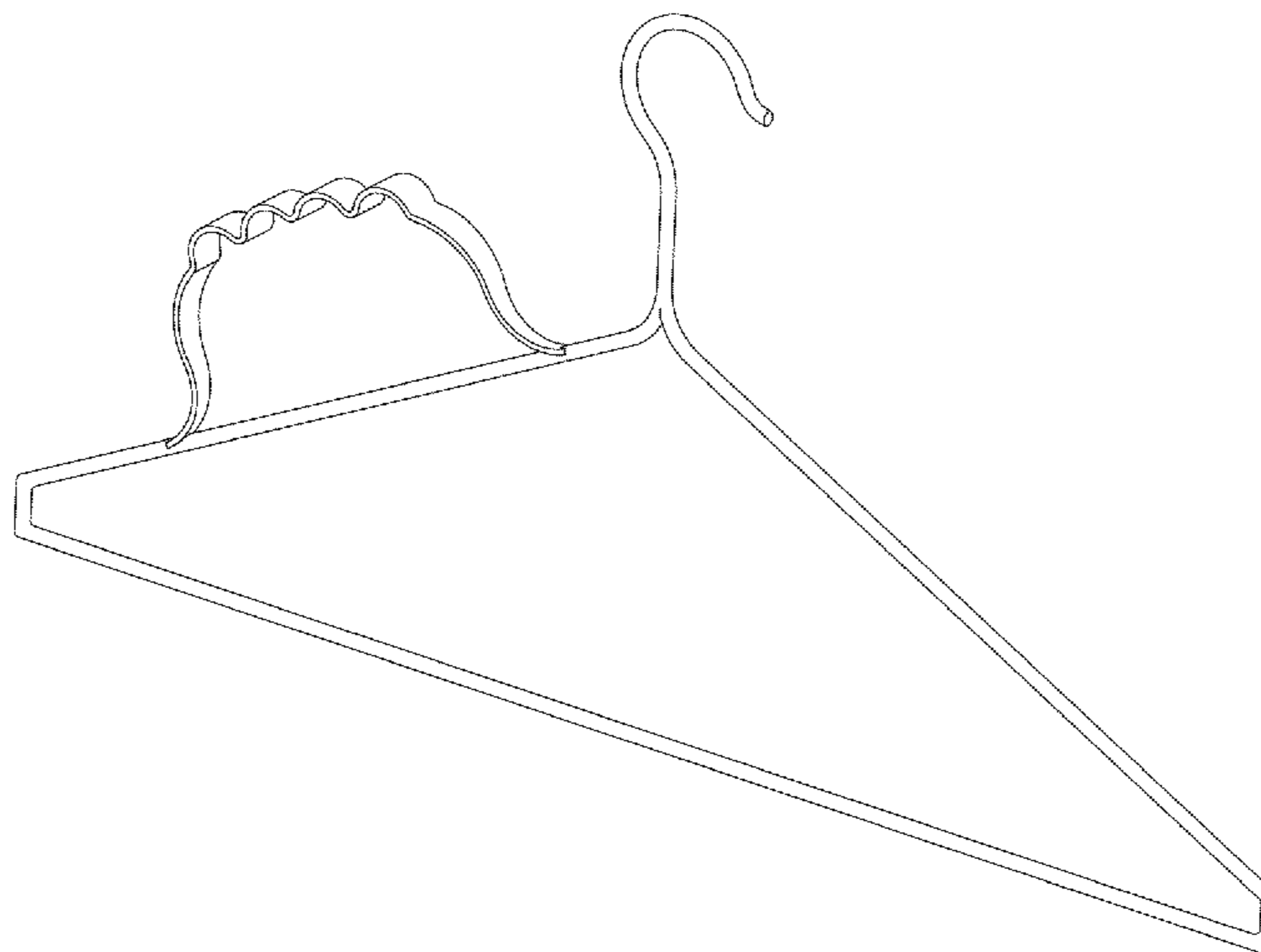
FIG. 4 is a bottom plan view thereof;

FIG. 5 is a top plan view thereof;

FIG. 6 is a left side elevational view thereof; and,

FIG. 7 is a right side elevational view thereof.

1 Claim, 3 Drawing Sheets



(56)

References Cited

U.S. PATENT DOCUMENTS

4,244,453 A 1/1981 Herz
 4,390,087 A 6/1983 Goldfinger
 4,391,396 A 7/1983 Brady
 4,401,219 A 8/1983 Mink
 4,438,844 A 3/1984 Kesselman et al.
 D282,315 S 1/1986 Allen
 4,580,667 A 4/1986 Herwood
 4,590,610 A 5/1986 Rhyne
 D307,360 S * 4/1990 McAllister D6/318
 5,002,183 A 3/1991 Okano
 5,010,987 A 4/1991 Evans
 D321,790 S 11/1991 Martorella
 5,062,717 A 11/1991 Shockley
 5,065,864 A 11/1991 Schmitt
 5,090,559 A 2/1992 Gendreau
 D327,371 S * 6/1992 Walker D6/318
 5,117,974 A 6/1992 Bieber
 5,253,775 A 10/1993 Gould
 5,370,230 A 12/1994 Cox
 D369,025 S 4/1996 Miller
 D371,737 S * 7/1996 May D9/434

D377,863 S 2/1997 Van Skiver
 5,628,398 A 5/1997 Jackson
 D383,904 S 9/1997 Stewart
 D385,419 S 10/1997 Ibigbami
 D422,903 S 4/2000 Lim
 6,296,094 B1 10/2001 Knecht
 6,708,819 B1 3/2004 Lee
 6,811,027 B2 11/2004 Alexander
 D499,548 S 12/2004 Deutschendorf et al.
 D505,547 S 5/2005 Whipple
 D602,760 S 10/2009 Davis
 D633,715 S 3/2011 Berglund
 D637,396 S 5/2011 Berglund
 D651,404 S 1/2012 Berglund
 2003/0102230 A1 6/2003 Gregorcic
 2003/0179958 A1 9/2003 Chiang et al.
 2007/0183691 A1 8/2007 Finnegan

OTHER PUBLICATIONS

Advertisement for "Green Garmento" bag, American Drycleaner, p. 25, Jan. 2010.
 U.S. Trademark Registration No. 1768697 dated May 14, 1993.

* cited by examiner

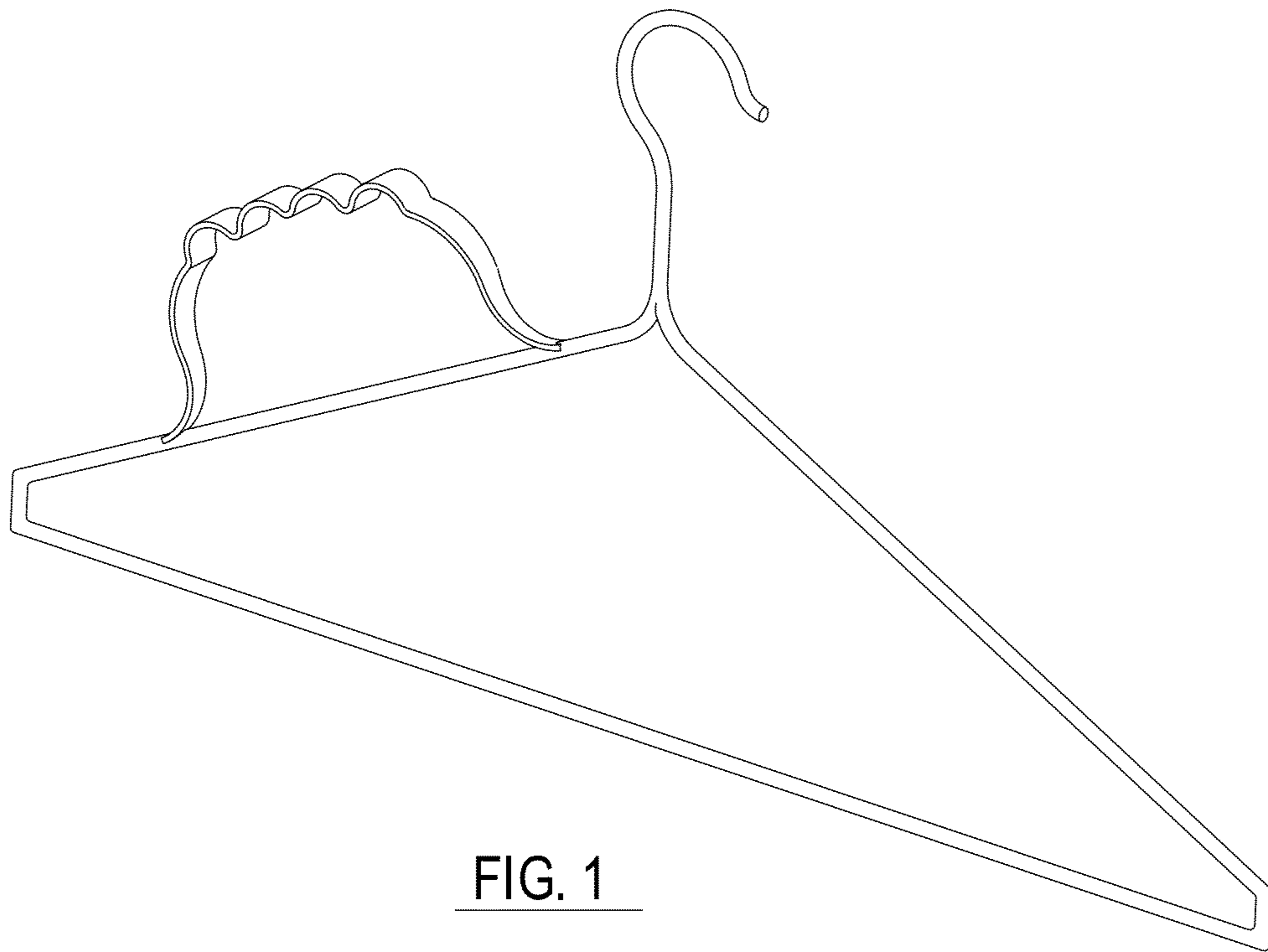


FIG. 1

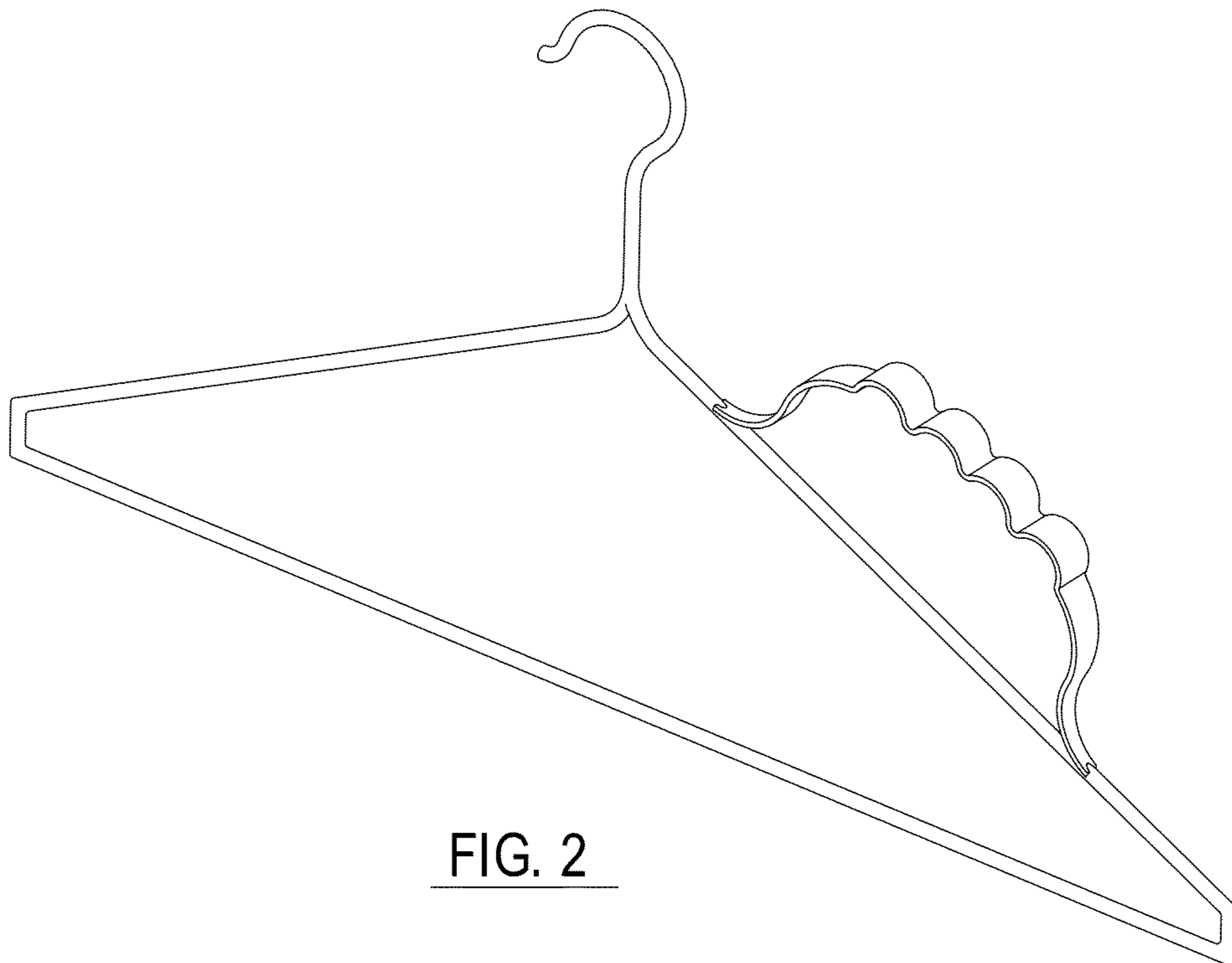


FIG. 2

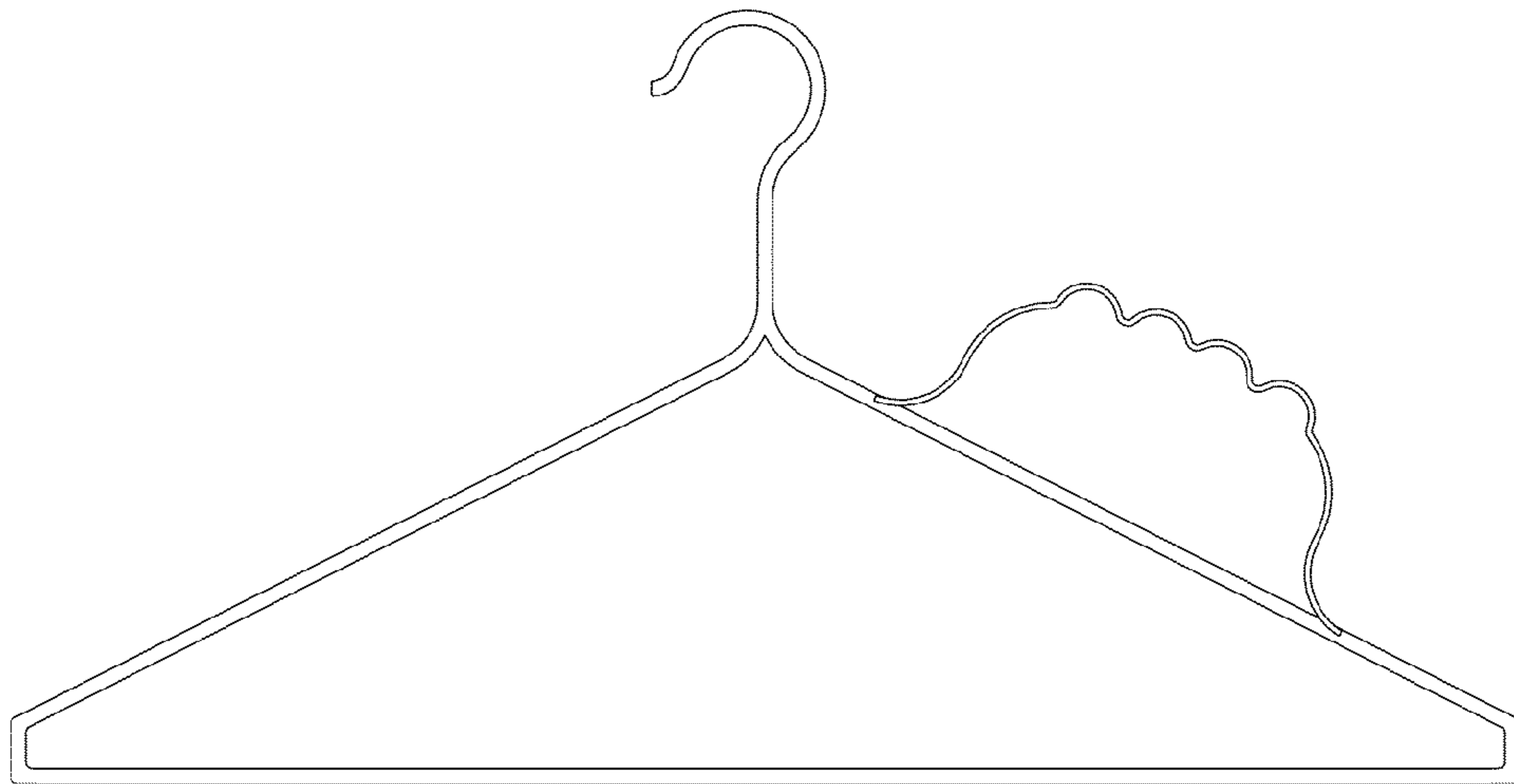


FIG. 3

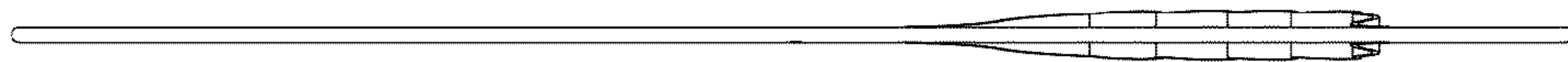


FIG. 4

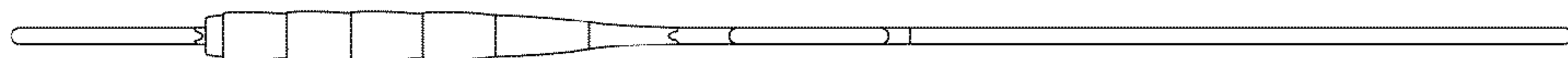


FIG. 5

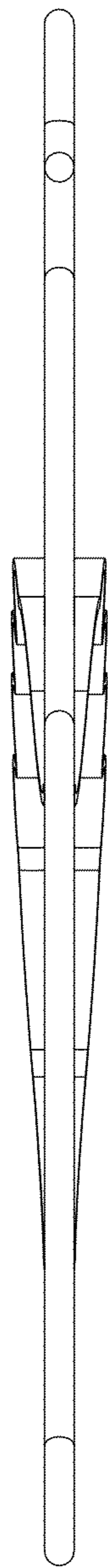


FIG. 6

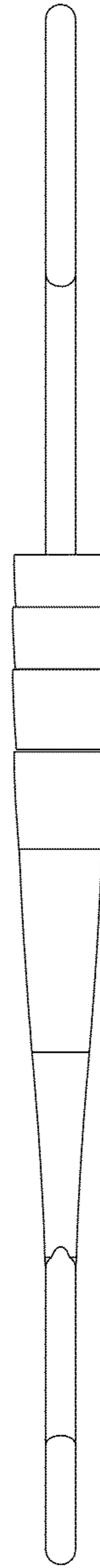


FIG. 7