



US00D700784S

(12) **United States Design Patent**
Arvinte et al.

(10) **Patent No.:** **US D700,784 S**
(45) **Date of Patent:** **** Mar. 11, 2014**

(54) **PAINT ROLLER FRAME**

(71) Applicant: **A. Richard Tools Co./Outils A. Richard Co.**, Berthierville (CA)

(72) Inventors: **Romeo Arvinte**, Laval-des-Rapides (CA); **Francois Panfili**, Berthierville (CA)

(73) Assignee: **A. Richard Tools Co./Outils A. Richard Co.**, Berthierville, Quebec (CA)

(**) Term: **14 Years**

(21) Appl. No.: **29/446,232**

(22) Filed: **Feb. 21, 2013**

(51) **LOC (10) Cl.** **04-01**

(52) **U.S. Cl.**
USPC **D4/122**

(58) **Field of Classification Search**
USPC D4/122, 138; 15/27, 104.001, 104.002, 15/230.11; 492/13, 16-19
See application file for complete search history.

(56) **References Cited**

U.S. PATENT DOCUMENTS

4,077,082 A * 3/1978 Roe et al. 15/230.11
D320,888 S * 10/1991 Parizek D4/122

5,921,905 A * 7/1999 Newman et al. 492/13
6,141,821 A * 11/2000 Chin 15/230.11
D459,587 S * 7/2002 Newman et al. D4/122
D498,928 S * 11/2004 Zopf D4/122
D511,045 S * 11/2005 Donoghue D4/122
D616,650 S * 6/2010 Saadian D4/122
D622,063 S * 8/2010 Isaac D4/122
D690,944 S * 10/2013 Lee et al. D4/122
2004/0168276 A1 * 9/2004 Lye 15/230.11

* cited by examiner

Primary Examiner — Austin Murphy

(74) *Attorney, Agent, or Firm* — Merchant & Gould P.C.

(57) **CLAIM**

The ornamental design for a paint roller frame, as shown and described.

DESCRIPTION

FIG. 1 is a perspective view of a paint roller frame showing our new design.

FIG. 2 is a front view thereof;

FIG. 3 is a rear view thereof;

FIG. 4 is a right side view thereof;

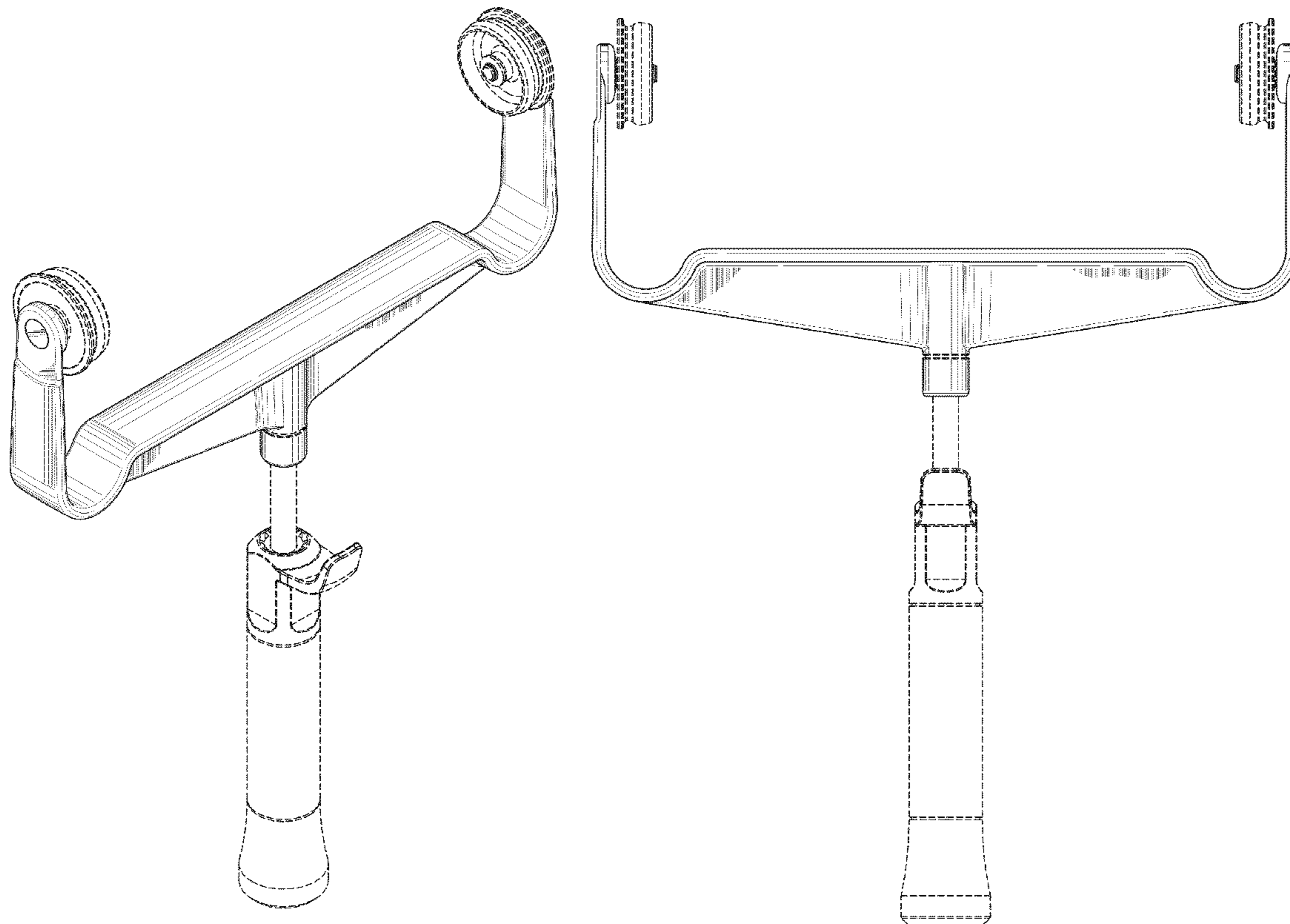
FIG. 5 is a left side view thereof;

FIG. 6 is a top view thereof; and,

FIG. 7 is a bottom view thereof.

The portions shown in dashed lines form no part of the claimed design.

1 Claim, 5 Drawing Sheets



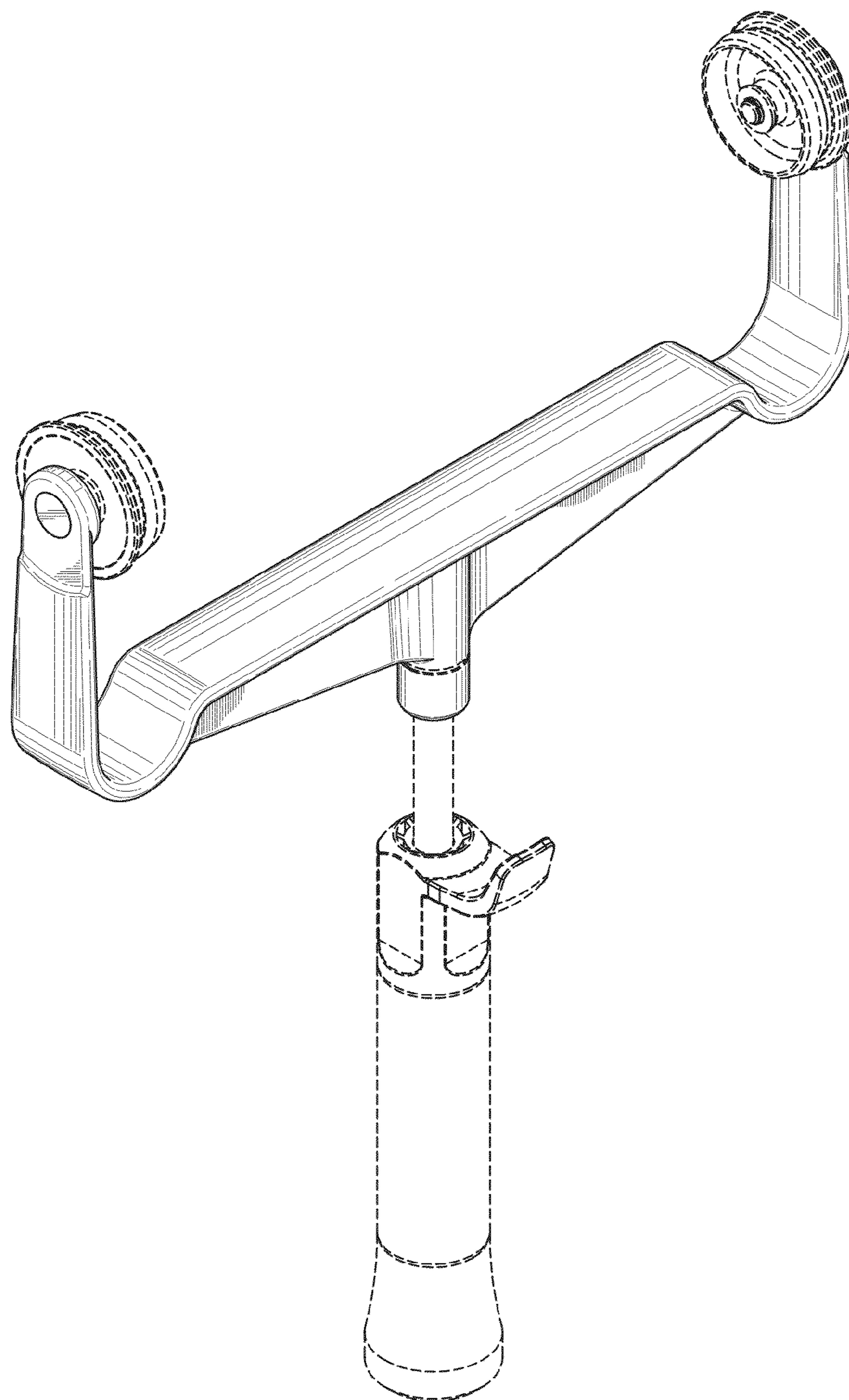


FIG. 1

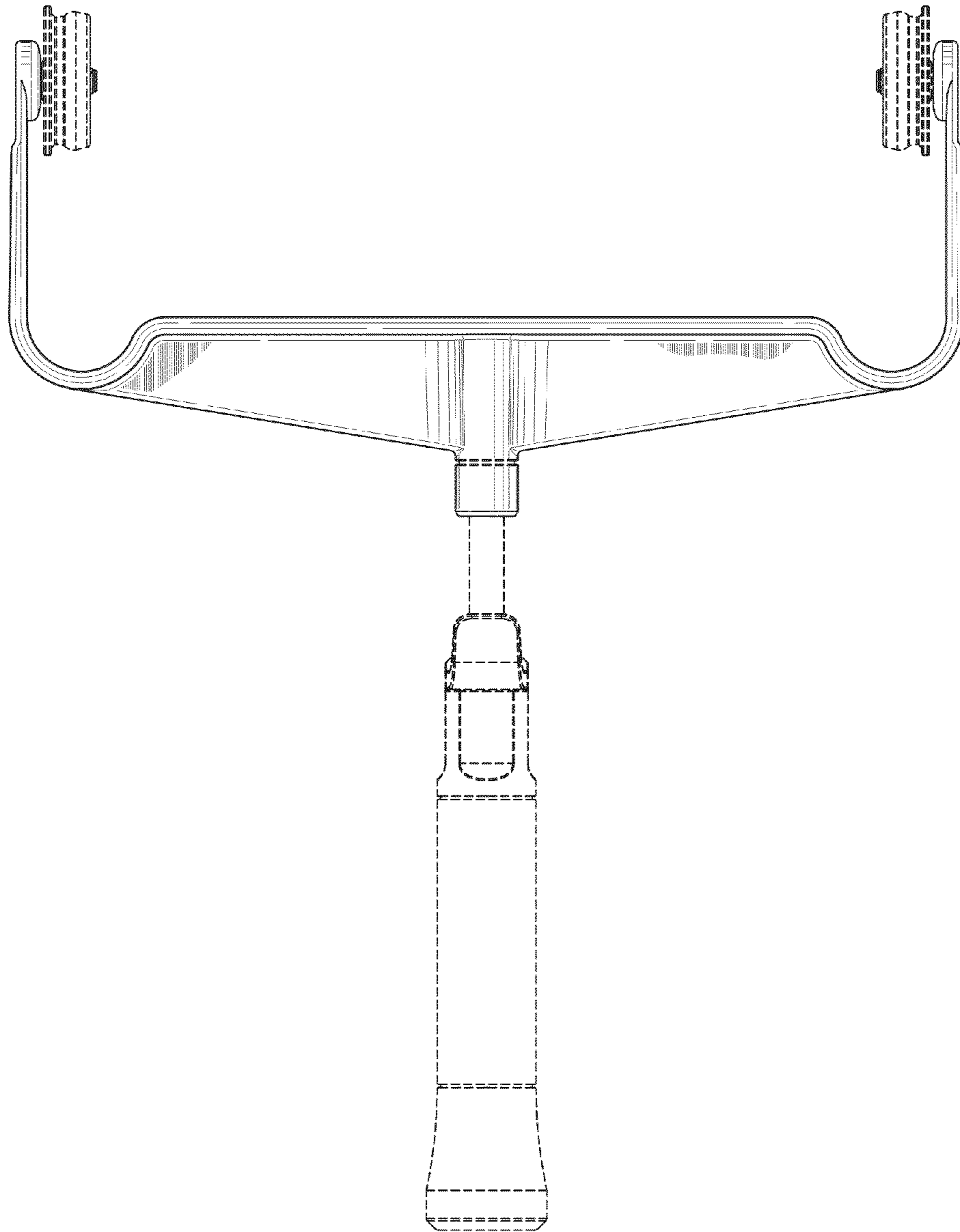


FIG. 2

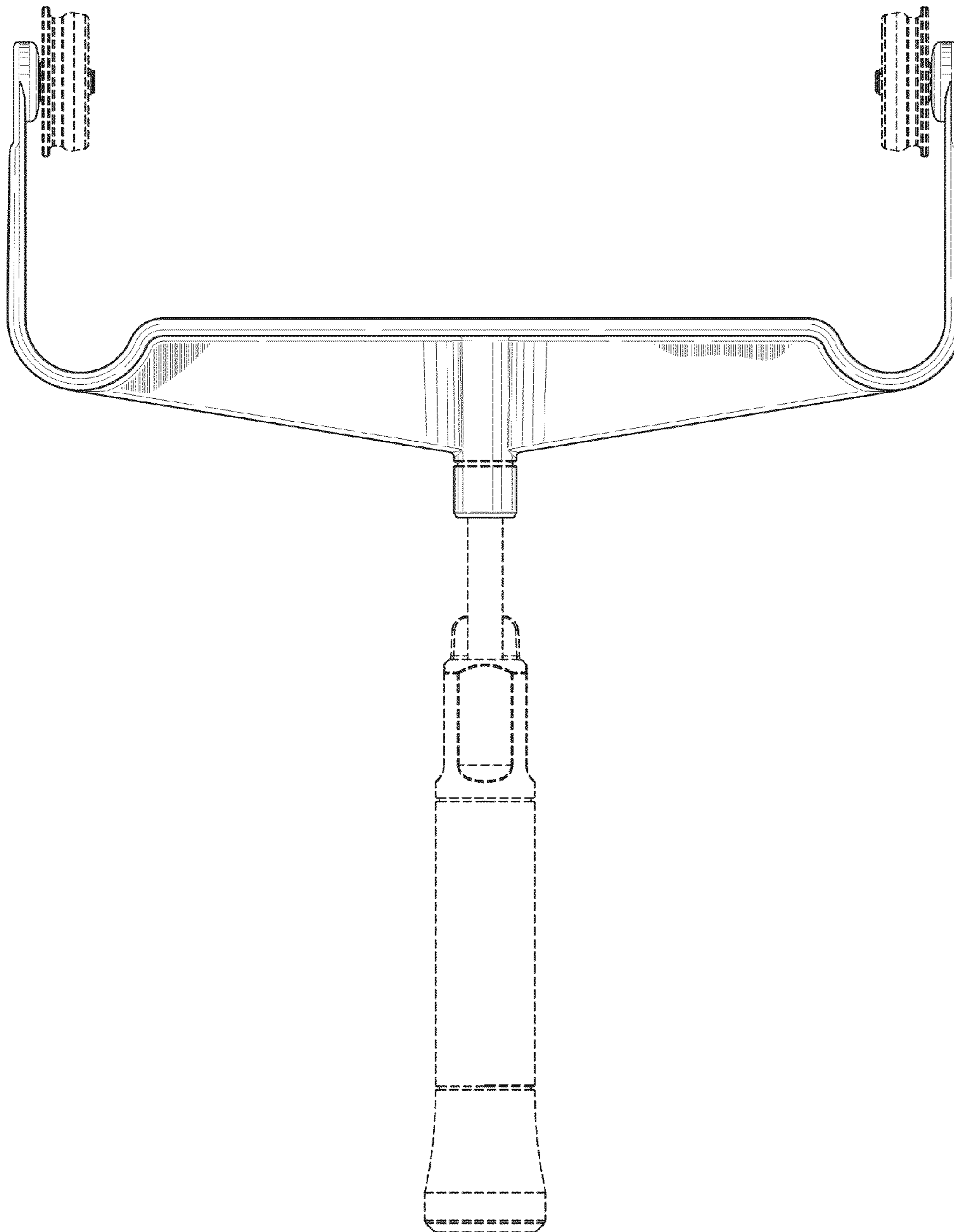


FIG. 3

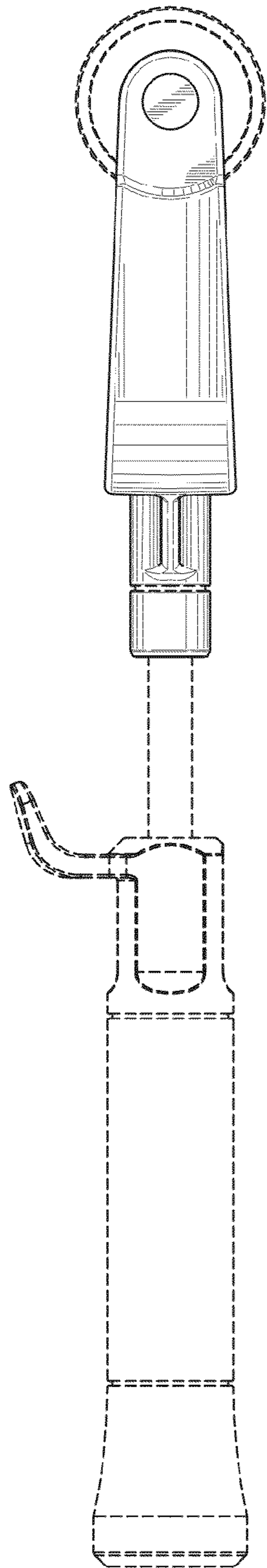


FIG. 4

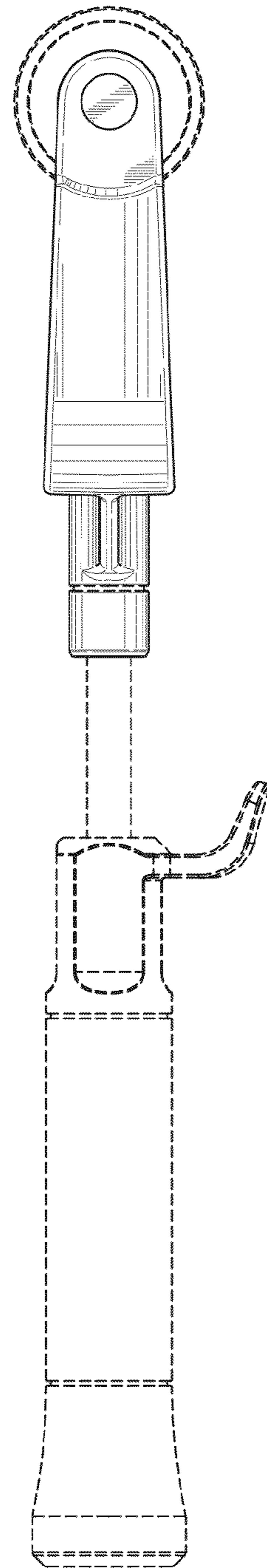


FIG. 5

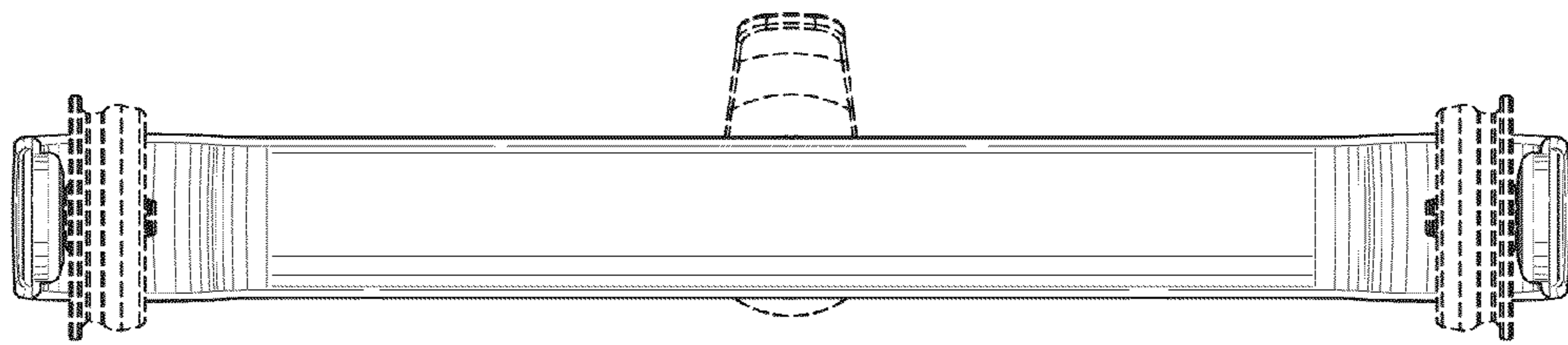


FIG. 6

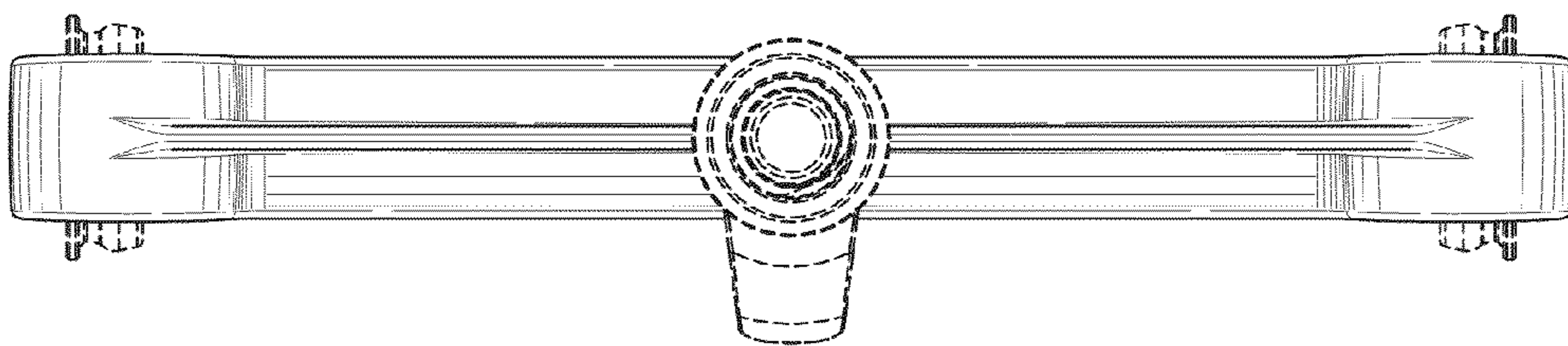


FIG. 7