



US00D700783S

(12) **United States Design Patent**
Luong

(10) **Patent No.:** **US D700,783 S**
(45) **Date of Patent:** **** Mar. 11, 2014**

(54) **LAPTOP COMPARTMENT WITH CORNER PROTECTORS**

Primary Examiner — Holly Baynham
(74) *Attorney, Agent, or Firm* — QuickPatents; Kevin Prince

(76) Inventor: **Kevin Luong**, Anaheim, CA (US)

(**) Term: **14 Years**

(57) **CLAIM**
I claim the ornamental design for a laptop compartment with corner protectors, as shown and described.

(21) Appl. No.: **29/426,467**

(22) Filed: **Jul. 6, 2012**

DESCRIPTION

(51) **LOC (10) Cl.** **03-01**

(52) **U.S. Cl.**
USPC **D3/319**

(58) **Field of Classification Search**
USPC D3/285, 289, 294, 299, 287, 301, 319;
206/320, 521, 36, 102
See application file for complete search history.

FIG. 1 is a perspective view of a laptop compartment with corner protectors, showing my new design;
FIG. 2 is an exploded bottom perspective view thereof;
FIG. 3 is an exploded top perspective view thereof;
FIG. 4 is an enlarged left-side elevational view thereof, the right-side elevational view being a mirror image thereof;
FIG. 5 is an enlarged bottom plan view thereof;
FIG. 6 is an enlarged top plan view thereof;
FIG. 7 is a front elevational view thereof; and,
FIG. 8 is a rear elevational view thereof.

(56) **References Cited**

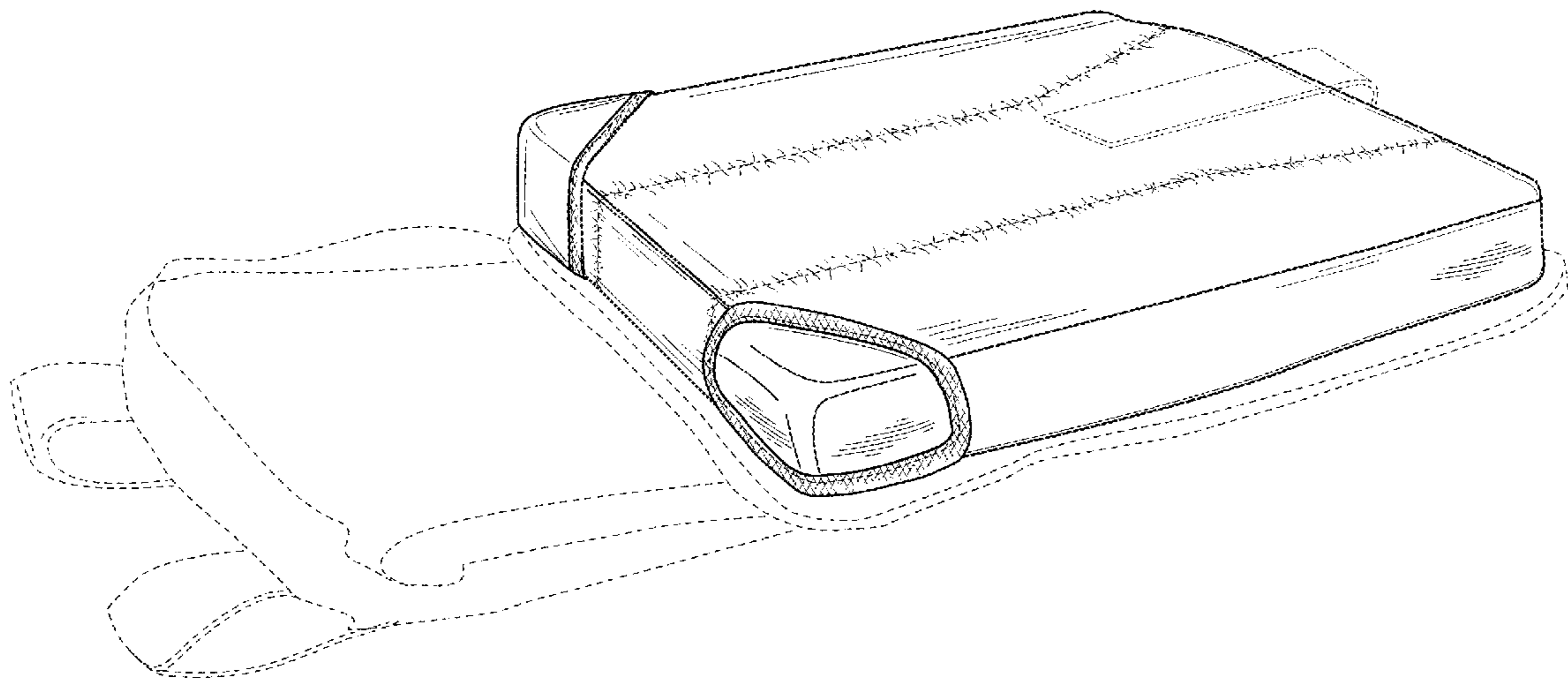
U.S. PATENT DOCUMENTS

6,655,528	B2 *	12/2003	King	206/320
D557,897	S *	12/2007	Richardson et al.	D3/294
D574,615	S *	8/2008	Picot et al.	D3/289
D615,301	S *	5/2010	Gracer et al.	D3/319
D672,958	S *	12/2012	Denzinger	D3/289

The broken lines showing a backpack in FIG. 1 are for the purposes of illustrating environment and form no part of the claimed design. The remaining broken lines represent stitching, and are part of the claimed design. The break lines in FIGS. 4-6 are for clarity of illustration of the enlarged views.

* cited by examiner

1 Claim, 7 Drawing Sheets



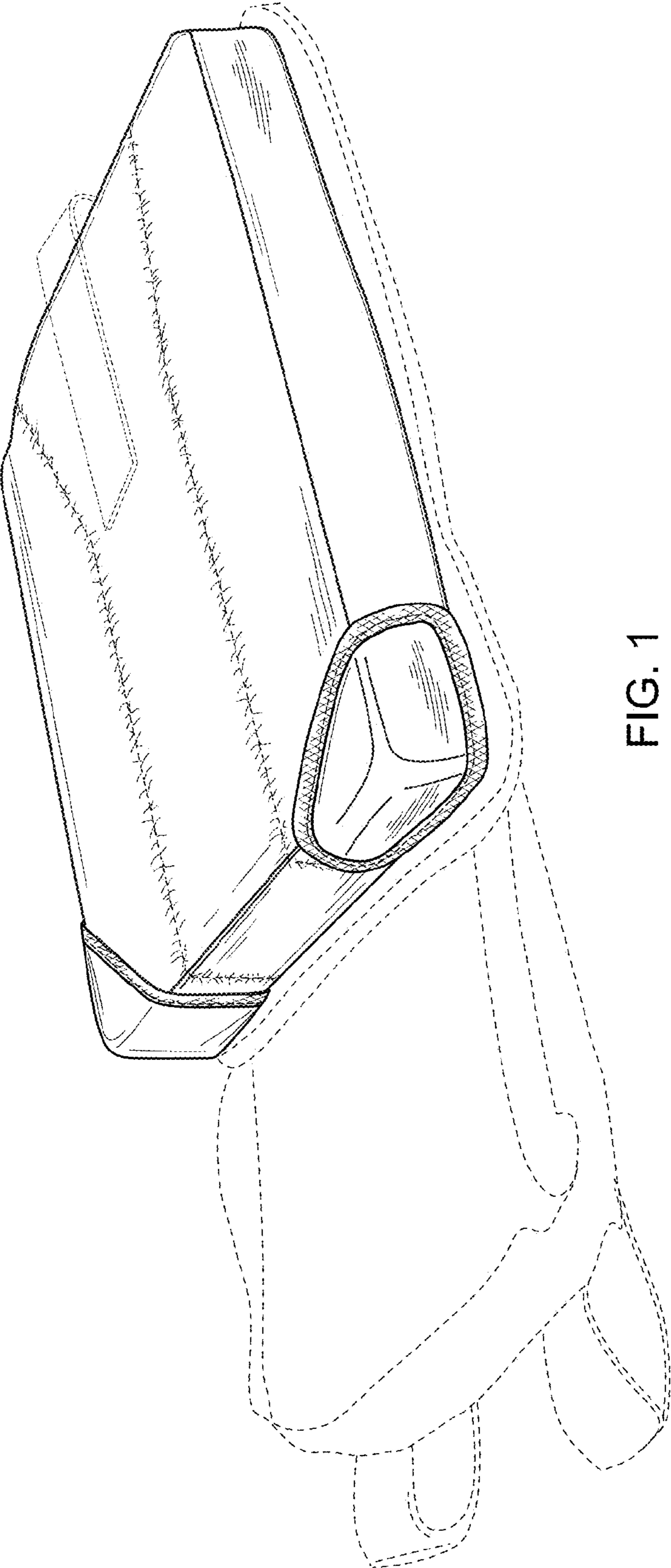


FIG. 1

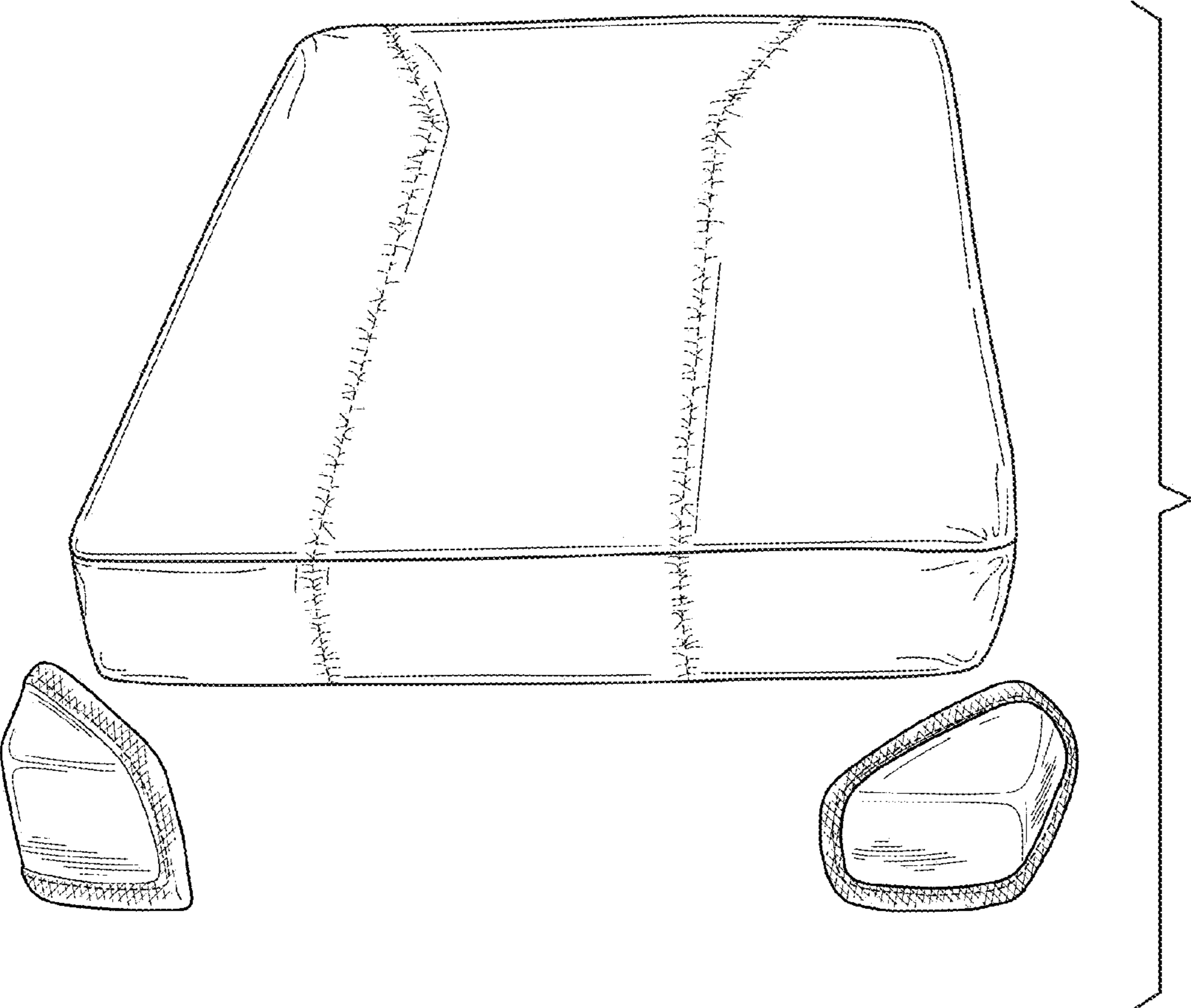


FIG. 2

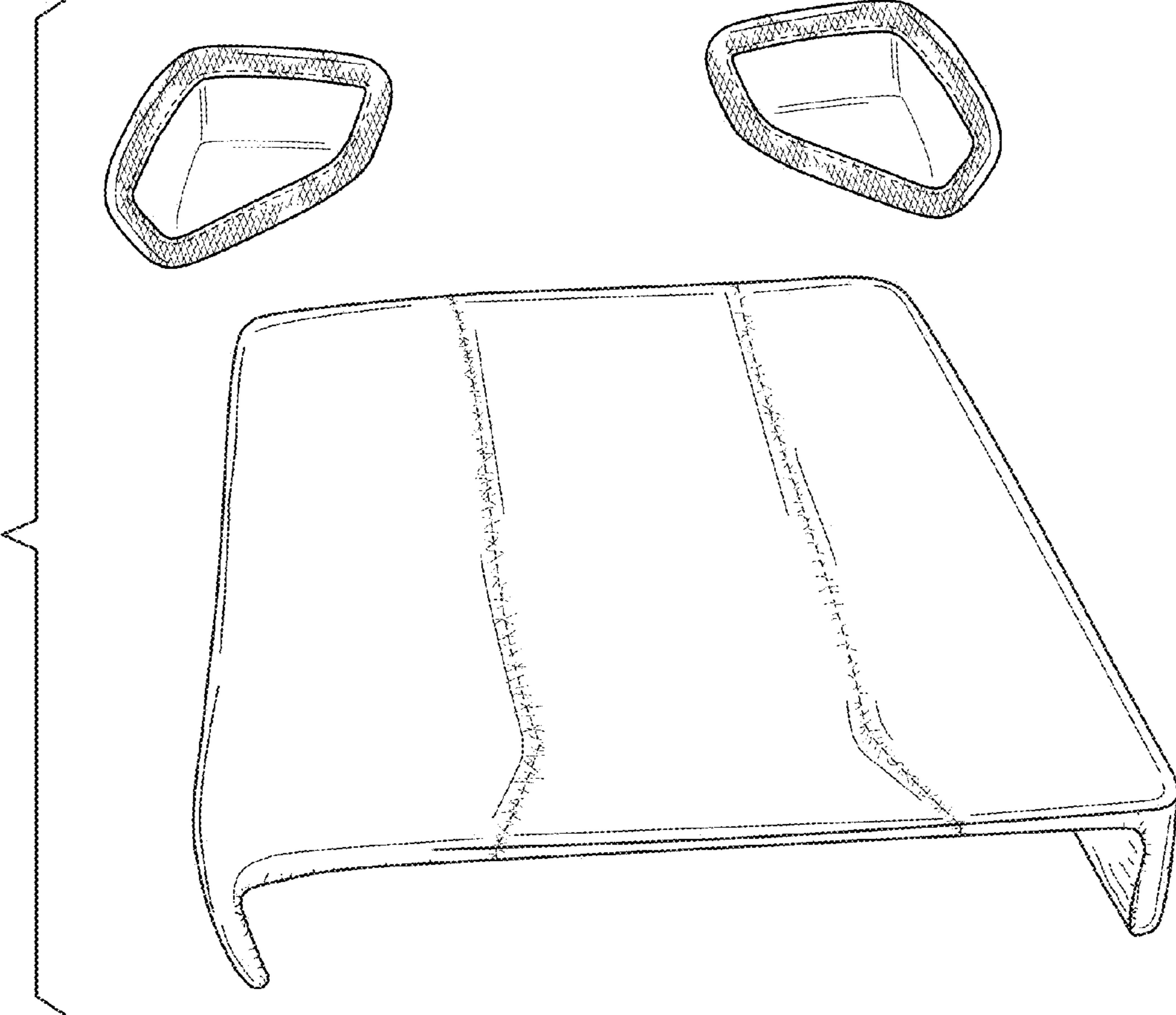


FIG. 3

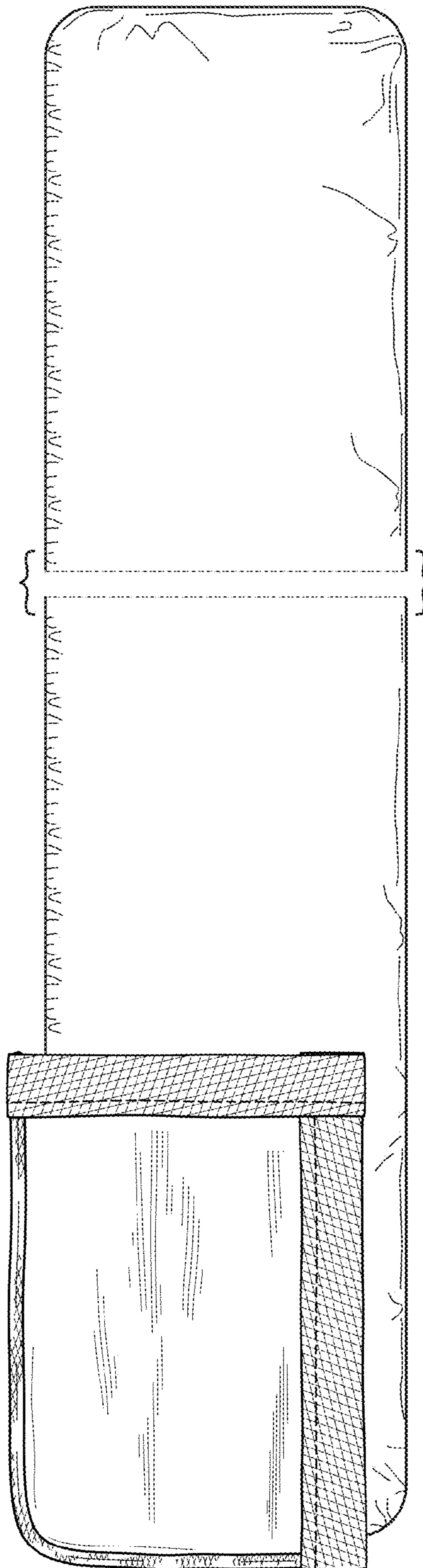


FIG. 4

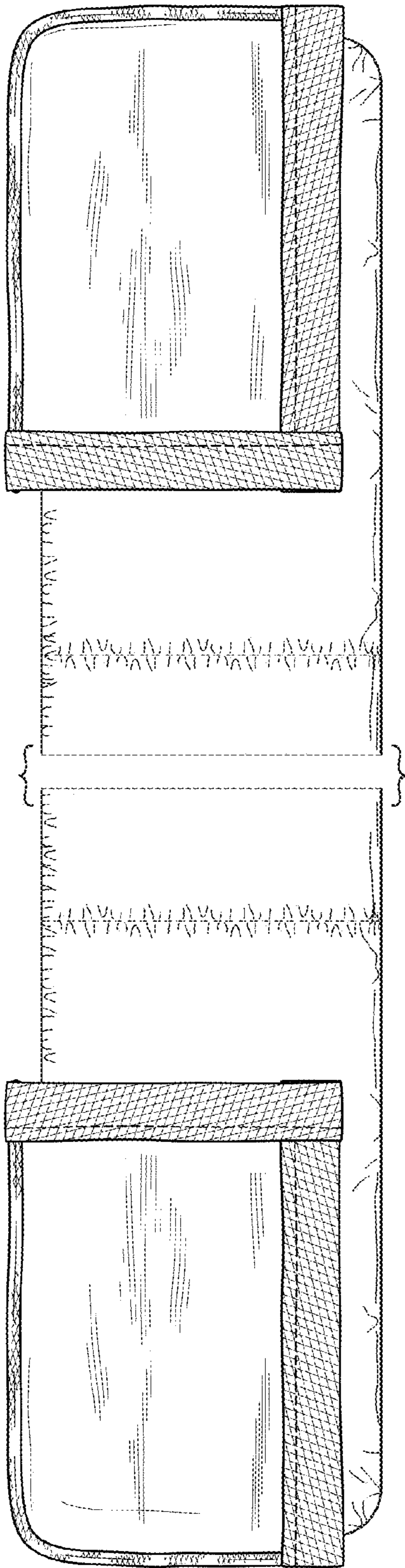


FIG. 5

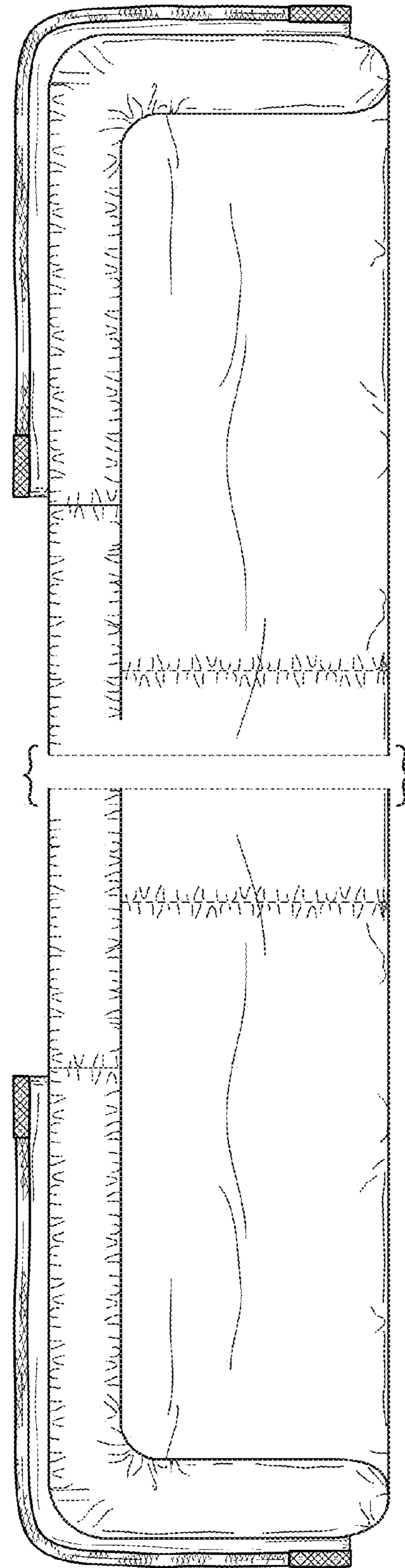


FIG. 6

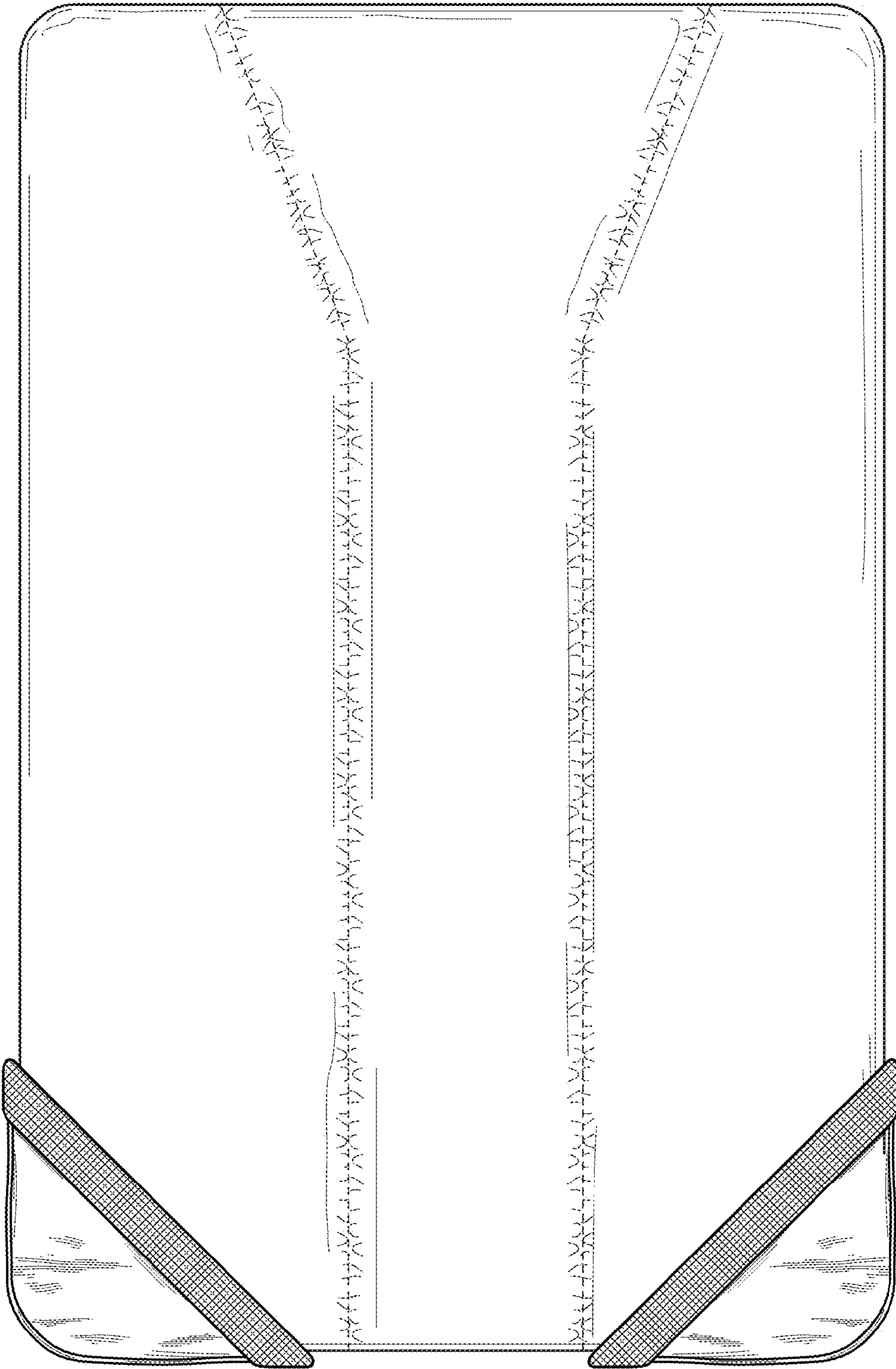


FIG. 7

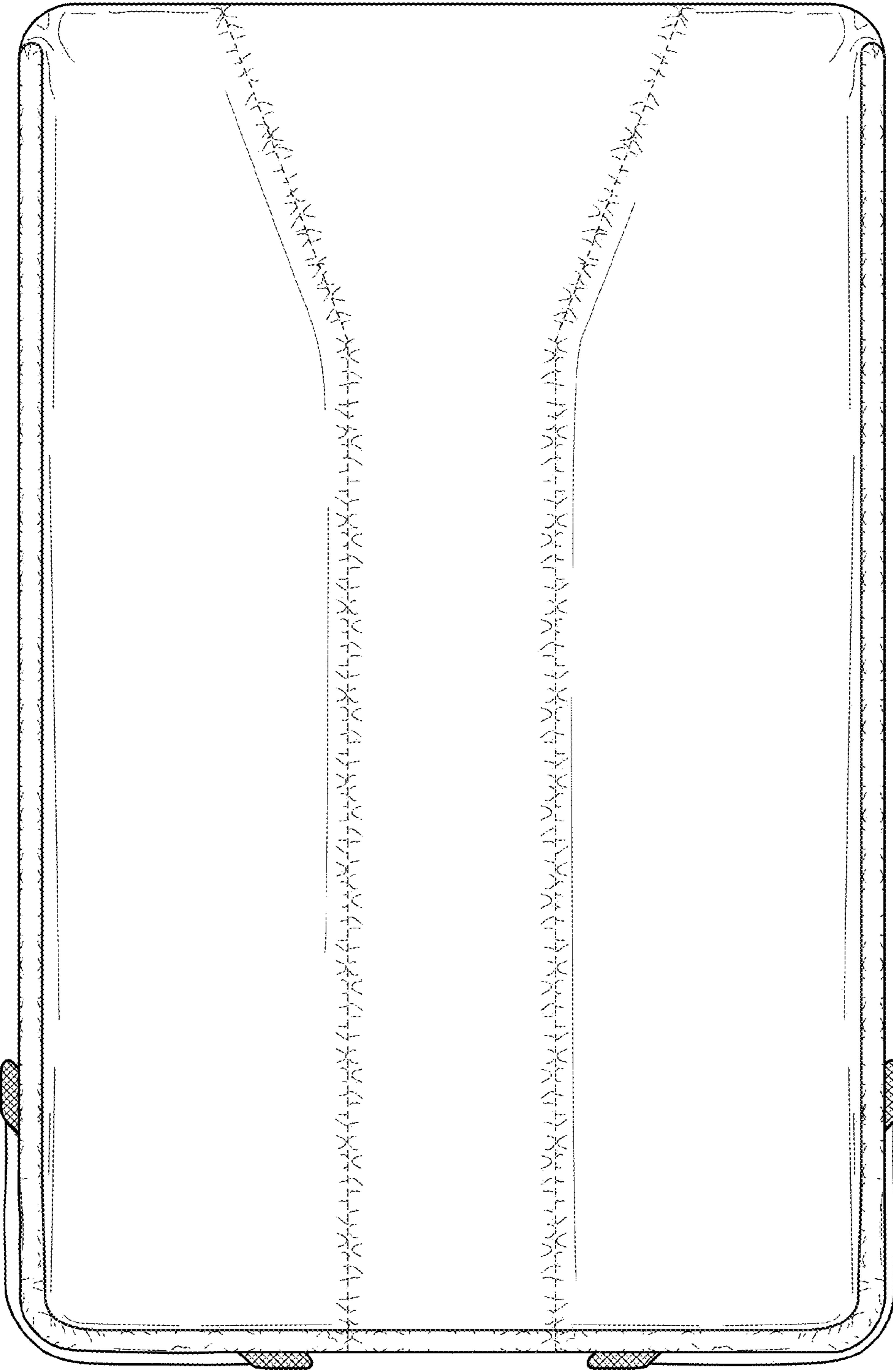


FIG. 8